



US008226652B2

(12) **United States Patent**
Michelson

(10) **Patent No.:** **US 8,226,652 B2**
(45) **Date of Patent:** ***Jul. 24, 2012**

(54) **THREADED FRUSTO-CONICAL SPINAL IMPLANTS**

(75) Inventor: **Gary Karlin Michelson**, Venice, CA (US)

(73) Assignee: **Warsaw Orthopedic, Inc.**, Warsaw, IN (US)

(*) Notice: Subject to any disclaimer, the term of this patent is extended or adjusted under 35 U.S.C. 154(b) by 0 days.

This patent is subject to a terminal disclaimer.

(21) Appl. No.: **13/296,125**

(22) Filed: **Nov. 14, 2011**

(65) **Prior Publication Data**

US 2012/0053695 A1 Mar. 1, 2012

Related U.S. Application Data

(63) Continuation of application No. 12/942,671, filed on Nov. 9, 2010, now Pat. No. 8,057,475, which is a continuation of application No. 12/454,393, filed on May 18, 2009, now Pat. No. 7,828,800, which is a continuation of application No. 08/480,908, filed on Jun. 7, 1995, now Pat. No. 7,534,254.

(51) **Int. Cl.**
A61F 17/56 (2006.01)

(52) **U.S. Cl.** **606/60; 606/246**

(58) **Field of Classification Search** **606/60, 606/246-252, 279; 623/17.11, 17.16**

See application file for complete search history.

(56) **References Cited**

U.S. PATENT DOCUMENTS

350,420 A 10/1886 Dillon
1,137,585 A 4/1915 Craig
2,065,659 A 12/1936 Cullen

2,181,746 A 11/1939 Siebrandt
2,243,718 A 5/1941 De G. Moreira
2,372,622 A 3/1945 Fassio
2,514,665 A 7/1950 Myller
2,537,070 A 1/1951 Longfellow
2,543,780 A 3/1951 Hipps et al.
2,677,369 A 5/1954 Knowles
2,774,350 A 12/1956 Cleveland
2,789,558 A 4/1957 Rush
2,832,343 A 4/1958 Mose
2,842,131 A 7/1958 Smith

(Continued)

FOREIGN PATENT DOCUMENTS

DE 1 961 531 7/1970

(Continued)

OTHER PUBLICATIONS

Adams, et al.; Outline of Orthopaedics, Eleventh Edition; Trunk and Spine, p. 194.

(Continued)

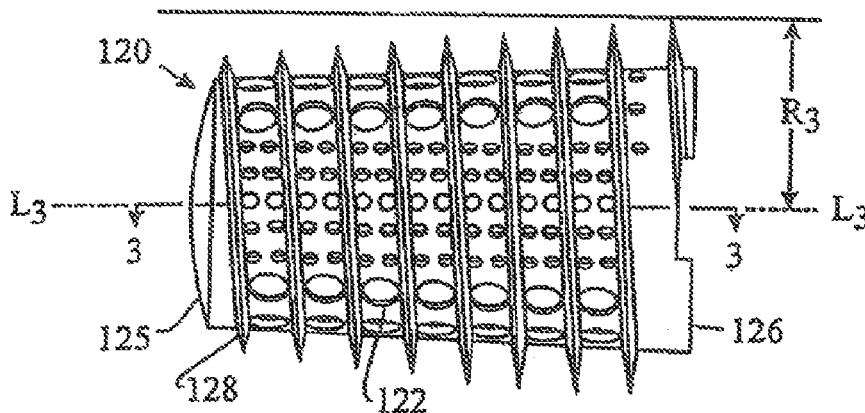
Primary Examiner — Michael A. Brown

(74) *Attorney, Agent, or Firm* — Martin & Ferraro, LLP

(57) **ABSTRACT**

The present invention is directed to a variety of interbody spinal fusion implants having at least a partially frusto-conical configuration. An external thread is employed to increase implant stability and implant surface area, and for the purpose of advancing the spinal fusion implant into the fusion site. The spinal fusion implants of the present invention may be relatively solid or hollow and may have surface roughenings to promote bone ingrowth and stability. The spinal fusion implants of the present invention may have wells extending into the material of the implant from the surface for the purpose of holding fusion promoting materials and to provide for areas of bone ingrowth fixation.

16 Claims, 4 Drawing Sheets



| U.S. PATENT DOCUMENTS | | | | | | | |
|-----------------------|---|---------|----------------------|-----------|---|---------|---------------------------|
| 2,878,809 | A | 3/1959 | Treace | 4,545,374 | A | 10/1985 | Jacobson |
| 3,128,768 | A | 4/1964 | Geistauts | 4,547,390 | A | 10/1985 | Ashman et al. |
| 3,298,372 | A | 1/1967 | Feinberg | 4,549,547 | A | 10/1985 | Brighton et al. |
| 3,426,364 | A | 2/1969 | Lumb | 4,552,200 | A | 11/1985 | Sinha et al. |
| 3,486,505 | A | 12/1969 | Morrison | 4,553,273 | A | 11/1985 | Wu |
| 3,604,487 | A | 9/1971 | Gilbert | 4,554,914 | A | 11/1985 | Kapp et al. |
| 3,605,123 | A | 9/1971 | Hahn | D281,814 | S | 12/1985 | Pratt et al. |
| 3,618,611 | A | 11/1971 | Urban | 4,570,623 | A | 2/1986 | Ellison et al. |
| 3,709,219 | A | 1/1973 | Halloran | 4,570,624 | A | 2/1986 | Wu |
| 3,719,186 | A | 3/1973 | Merig, Jr. | 4,592,346 | A | 6/1986 | Jurgutis |
| 3,720,959 | A | 3/1973 | Hahn | 4,599,086 | A | 7/1986 | Doty |
| 3,750,652 | A | 8/1973 | Sherwin | 4,600,000 | A | 7/1986 | Edwards |
| 3,848,601 | A | 11/1974 | Ma et al. | 4,602,638 | A | 7/1986 | Adams |
| 3,855,638 | A | 12/1974 | Pilliar | 4,604,995 | A | 8/1986 | Stephens |
| 3,866,510 | A | 2/1975 | Eibes et al. | 4,608,052 | A | 8/1986 | Van Kampen et al. |
| 3,867,728 | A | 2/1975 | Stubstad et al. | 4,611,581 | A | 9/1986 | Steffee |
| 3,867,950 | A | 2/1975 | Fischell | 4,619,264 | A | 10/1986 | Singh |
| 3,875,595 | A | 4/1975 | Froning | 4,628,921 | A | 12/1986 | Rouso |
| 3,888,260 | A | 6/1975 | Fischell | 4,634,720 | A | 1/1987 | Dorman et al. |
| 3,892,232 | A | 7/1975 | Neufeld | 4,636,217 | A | 1/1987 | Ogilvie et al. |
| 3,905,047 | A | 9/1975 | Long | 4,636,526 | A | 1/1987 | Dorman et al. |
| 3,915,151 | A | 10/1975 | Kraus | 4,645,503 | A | 2/1987 | Lin et al. |
| 3,916,907 | A | 11/1975 | Peterson | 4,653,486 | A | 3/1987 | Coker |
| 3,918,440 | A | 11/1975 | Kraus | 4,655,777 | A | 4/1987 | Dunn |
| 3,942,535 | A | 3/1976 | Schulman | 4,661,536 | A | 4/1987 | Dorman et al. |
| 3,948,262 | A | 4/1976 | Zaffaroni | 4,664,567 | A | 5/1987 | Edwards |
| 3,952,334 | A | 4/1976 | Bokros et al. | 4,665,920 | A | 5/1987 | Campbell |
| 3,987,499 | A | 10/1976 | Scharbach et al. | 4,677,883 | A | 7/1987 | Lee |
| 4,003,287 | A | 1/1977 | Ziaylek, Jr. | 4,677,972 | A | 7/1987 | Tornier |
| 4,016,651 | A | 4/1977 | Kawahara et al. | 4,693,721 | A | 9/1987 | Ducheyne |
| 4,027,392 | A | 6/1977 | Sawyer et al. | 4,696,290 | A | 9/1987 | Steffee |
| D245,259 | S | 8/1977 | Shen | 4,698,375 | A | 10/1987 | Dorman et al. |
| 4,051,905 | A | 10/1977 | Kleine | 4,710,075 | A | 12/1987 | Davison |
| 4,059,115 | A | 11/1977 | Jumashev et al. | 4,713,004 | A | 12/1987 | Linkow et al. |
| 4,070,514 | A | 1/1978 | Eatherly et al. | 4,714,469 | A | 12/1987 | Kenna |
| 4,082,097 | A | 4/1978 | Mann et al. | 4,721,103 | A | 1/1988 | Freedland |
| 4,086,701 | A | 5/1978 | Kawahara et al. | 4,736,738 | A | 4/1988 | Lipovsek et al. |
| 4,124,026 | A | 11/1978 | Berner et al. | 4,743,256 | A | 5/1988 | Brantigan |
| 4,142,517 | A | 3/1979 | Stravropoulos et al. | 4,743,260 | A | 5/1988 | Burton |
| 4,168,326 | A | 9/1979 | Broemer et al. | 4,759,766 | A | 7/1988 | Buettner-Janz et al. |
| 4,175,555 | A | 11/1979 | Herbert | 4,759,769 | A | 7/1988 | Hedman et al. |
| 4,177,524 | A | 12/1979 | Grell et al. | 4,769,881 | A | 9/1988 | Pedigo et al. |
| 4,181,457 | A | 1/1980 | Holmes | 4,781,591 | A | 11/1988 | Allen |
| 4,197,850 | A | 4/1980 | Schulman et al. | 4,790,303 | A | 12/1988 | Steffee |
| 4,206,516 | A | 6/1980 | Pilliar | 4,805,602 | A | 2/1989 | Puno et al. |
| 4,222,128 | A | 9/1980 | Tomonaga et al. | 4,820,305 | A | 4/1989 | Harms et al. |
| D257,511 | S | 11/1980 | Zahn | 4,830,000 | A | 5/1989 | Shutt |
| 4,232,679 | A | 11/1980 | Schulman | 4,834,757 | A | 5/1989 | Brantigan |
| 4,237,948 | A | 12/1980 | Jones et al. | 4,848,327 | A | 7/1989 | Perdue |
| 4,258,716 | A | 3/1981 | Sutherland | 4,851,008 | A | 7/1989 | Johnson |
| 4,259,072 | A | 3/1981 | Hirabayashi et al. | 4,863,476 | A | 9/1989 | Shepperd |
| 4,262,369 | A | 4/1981 | Roux | 4,863,477 | A | 9/1989 | Monson |
| 4,271,832 | A | 6/1981 | Evans et al. | 4,865,603 | A | 9/1989 | Noiles |
| D260,525 | S | 9/1981 | Lassiter | 4,877,020 | A | 10/1989 | Vich |
| 4,289,123 | A | 9/1981 | Dunn | 4,878,915 | A | 11/1989 | Brantigan 623/17.11 |
| 4,293,962 | A | 10/1981 | Fuson | 4,903,882 | A | 2/1990 | Long |
| 4,309,777 | A | 1/1982 | Patil | 4,904,260 | A | 2/1990 | Ray et al. |
| 4,328,593 | A | 5/1982 | Sutter et al. | 4,904,261 | A | 2/1990 | Dove et al. |
| 4,333,469 | A | 6/1982 | Jeffcoat et al. | 4,911,718 | A | 3/1990 | Lee et al. |
| 4,341,206 | A | 7/1982 | Perrett et al. | 4,913,144 | A | 4/1990 | Del Medico |
| 4,349,921 | A | 9/1982 | Kuntz | 4,936,848 | A | 6/1990 | Bagby |
| 4,356,572 | A | 11/1982 | Guillemin et al. | 4,943,291 | A | 7/1990 | Tanguy |
| 4,401,112 | A | 8/1983 | Rezaian | 4,955,885 | A | 9/1990 | Meyers |
| 4,405,319 | A | 9/1983 | Cosentino | 4,955,908 | A | 9/1990 | Frey et al. |
| 4,414,979 | A | 11/1983 | Hirshorn et al. | 4,957,495 | A | 9/1990 | Kluger |
| 4,423,721 | A | 1/1984 | Otte et al. | 4,960,420 | A | 10/1990 | Goble et al. |
| 4,439,152 | A | 3/1984 | Small | 4,961,740 | A | 10/1990 | Ray et al. 606/247 |
| 4,450,834 | A | 5/1984 | Fischer | 4,968,316 | A | 11/1990 | Hergenroeder |
| 4,484,570 | A | 11/1984 | Sutter et al. | 4,969,888 | A | 11/1990 | Scholten et al. |
| 4,492,226 | A | 1/1985 | Belykh et al. | 4,987,904 | A | 1/1991 | Wilson |
| 4,497,320 | A | 2/1985 | Nicholson et al. | 5,015,247 | A | 5/1991 | Michelson |
| 4,501,269 | A | 2/1985 | Bagby | 5,015,255 | A | 5/1991 | Kuslich 128/898 |
| 4,507,115 | A | 3/1985 | Kambara et al. | 5,026,373 | A | 6/1991 | Ray et al. |
| RE31,865 | E | 4/1985 | Roux | 5,030,236 | A | 7/1991 | Dean |
| 4,530,360 | A | 7/1985 | Duarte | 5,055,104 | A | 10/1991 | Ray 606/247 |
| 4,535,374 | A | 8/1985 | Anderson et al. | 5,059,193 | A | 10/1991 | Kuslich |
| 4,535,485 | A | 8/1985 | Ashman et al. | 5,062,845 | A | 11/1991 | Kuslich et al. |
| 4,542,539 | A | 9/1985 | Rowe, Jr. et al. | 5,071,437 | A | 12/1991 | Steffee |
| | | | | 5,084,050 | A | 1/1992 | Draenert |

5,102,414 A 4/1992 Kirsch
 5,108,422 A 4/1992 Green et al.
 5,112,336 A 5/1992 Krevolin et al.
 5,116,304 A 5/1992 Cadwell
 5,122,130 A 6/1992 Keller
 5,123,926 A 6/1992 Pisharodi
 5,133,755 A 7/1992 Brekke
 5,171,278 A 12/1992 Pisharodi
 5,192,327 A * 3/1993 Brantigan 623/17.11
 5,246,458 A 9/1993 Graham
 5,258,031 A 11/1993 Salib et al.
 5,263,953 A 11/1993 Bagby
 5,279,292 A 1/1994 Baumann et al.
 5,282,861 A 2/1994 Kaplan
 5,292,252 A 3/1994 Nickerson et al.
 5,306,309 A 4/1994 Wagner et al.
 5,314,427 A 5/1994 Goble et al.
 5,324,295 A 6/1994 Shapiro
 5,352,229 A 10/1994 Goble et al.
 5,360,430 A 11/1994 Lin
 5,364,399 A 11/1994 Lowery et al.
 5,370,662 A 12/1994 Stone et al.
 5,370,697 A 12/1994 Baumgartner
 5,393,036 A 2/1995 Sheridan
 RE34,871 E 3/1995 McGuire et al.
 5,396,880 A 3/1995 Kagan et al.
 5,397,359 A 3/1995 Mittelmeier et al.
 5,397,364 A 3/1995 Kozak et al.
 5,425,772 A 6/1995 Brantigan
 5,435,723 A 7/1995 O'Brien
 5,443,514 A 8/1995 Steffee
 5,458,638 A 10/1995 Kuslich et al.
 5,489,307 A 2/1996 Kuslich et al.
 5,489,308 A 2/1996 Kuslich et al.
 5,571,109 A 11/1996 Bertagnoli
 5,571,189 A 11/1996 Kuslich
 5,669,909 A 9/1997 Zdeblick et al.
 5,683,463 A 11/1997 Godefroy et al.
 5,766,252 A 6/1998 Henry et al.
 5,782,919 A 7/1998 Zdeblick et al.
 D397,439 S 8/1998 Koros et al.
 5,800,547 A 9/1998 Schafer et al.
 5,906,616 A 5/1999 Pavlov et al.
 6,118,043 A 9/2000 Nies et al.
 7,534,254 B1 5/2009 Michelson
 7,828,800 B2 11/2010 Michelson
 8,057,475 B2 11/2011 Michelson
 2002/0138144 A1 9/2002 Michelson

FOREIGN PATENT DOCUMENTS

DE 24 46 039 4/1975
 DE 29 10 627 9/1980
 DE 31 01 333 A1 12/1981
 DE 31 32 520 A1 6/1982
 DE 35 05 567 A1 6/1986
 DE 36 08 163 A1 9/1987
 DE 41 04 359 A1 8/1992
 DE 43 02 397 A1 7/1993
 EP 0 077 159 4/1983
 EP 0 162 005 11/1985
 EP 0 179 695 4/1986
 EP 0 260 044 3/1988
 EP 0 303 241 A2 2/1989
 EP 0 307 241 3/1989
 EP 0 499 465 A1 8/1992
 EP 0 551 187 A1 7/1993
 EP 0 577 179 A1 1/1994
 EP 0 599 419 A2 6/1994
 EP 0 732 093 A2 9/1996
 ES 283078 5/1985
 FR 2 295 729 7/1976
 FR 2 581 336 11/1986
 FR 2 703 580 10/1994
 GB 1 291 470 10/1972
 GB 1 492 990 11/1977
 GB 1 531 487 11/1978
 GB 2 076 657 A 12/1981
 GB 2 083 754 3/1982
 GB 2 126 094 A 3/1984

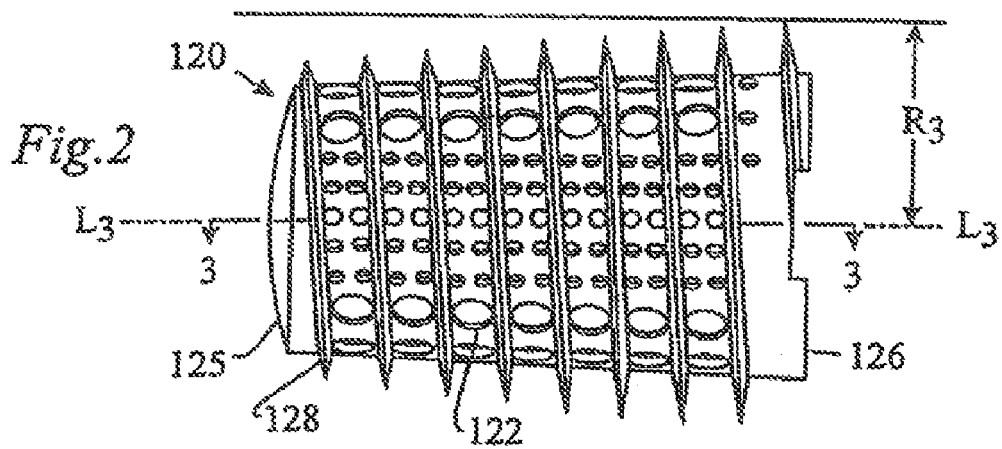
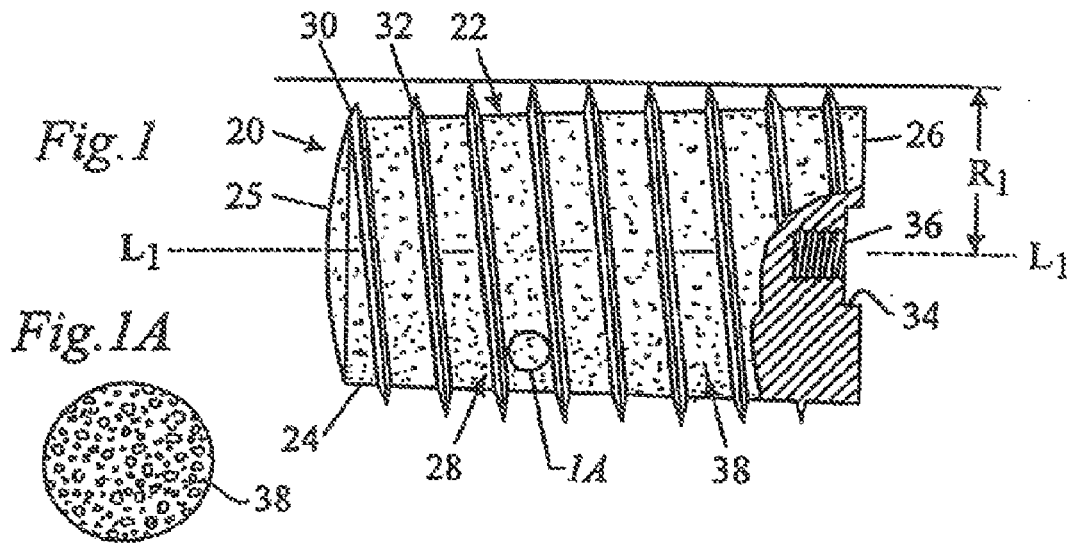
GB 2 164 277 A 3/1986
 JP 57-29348 2/1982
 JP 60-31706 2/1985
 JP 60-43984 3/1985
 JP 61-122859 6/1986
 JP 62-155846 7/1987
 SE 106 101 7/1939
 SU 1107854 8/1984
 SU 1124960 11/1984
 SU 1217374 3/1986
 SU 1222254 4/1986
 WO WO 84/01298 4/1984
 WO WO 91/06266 5/1991
 WO WO 92/14423 9/1992
 WO WO 93/01771 2/1993

OTHER PUBLICATIONS

Herkowitz, et al.; Principles of Bone Fusion; The Spine, Third Edition; Chapter 44, p. 1739.
 Muschler, et al.; The Biology of Spinal Fusion; Spinal Fusion Science and Technique, Cotler and Cotler, pp. 9-13.
 Zindrick, et al.; Lumbar Spine Fusion: Different Types and Indications; The Lumbar Spine, vol. 1, Second Edition, pp. 588-593 (1996).
 Gillingham, F.J., et al.; Automatic Patient Monitoring in the Ward; Brit. J. Surg., vol. 53, No. 10, pp. 864-866 (Oct. 1966).
 Maloney, A.F.J., et al.; Clinical and Pathological Observations in Fatal Head Injuries, Brit. J. Surg., vol. 56, No. 1, pp. 23-31 (Jan. 1969).
 Harris, P., et al.; Spinal Deformity After Spinal Cord Injury; Paraplegia, vol. 6, No. 4, pp. 232-238 (Feb. 1969).
 Gillingham, F.J., et al.; Head injuries; Proceedings of the 18th World Congress of the International College of Surgeons, Rome, pp. 68-71 (May 28-31, 1972).
 Whatmore, W. J.; Sincipital Encephalomenigoceles; Brit. J. Surg., vol. 60, No. 6, pp. 261-270 (Apr. 1973).
 Whatmore, W. J.; Meningioma Following Trauma; Brit. J. Surg., vol. 60, No. 6, pp. 496-498 (Jun. 1973).
 Bagby, George W.; Wobbler Syndrome in Horses (the Ataxic Horse); Spokane County Medical Society Bulletin; Spring 1979.
 Rathke, F.W., et al.; Surgery of the Spine; Atlas of Orthopaedic Operations, vol. 1, p. 137, W.B. Saunders Co., Philadelphia (1979).
 Albrektsson, T., et al.; Osseointegrated Titanium Implants; Acta. Orthop. Scand.; vol. 52:55-170 (1981).
 Raveh, J., et al.; Neue Rekonstruktionsmöglichkeiten des Unterkiefers bei knöchernen Defekten nach Tumorresektionen; Der Chirurg vol. 53:459-467 (1982).
 Crock, H. V.; Practice of Spinal Surgery; Springer-Verlag/Wien, New York (1983).
 DeBowes, R.M., et al.; Study of Bovine . . . Steel Baskets; Transactions of the 29th Annual Meeting; Orthopaedic Research Society, vol. 8, p. 407, Mar. 8-10, 1983.
 O'Neill, P., et al.; Spinal Meningoceles in Association with Neurofibromatosis; Neurosurgery, vol. 13, No. 1, pp. 82-84 (Jul. 1983).
 Brandt, L., et al.; A Dowel Inserter for Anterior Cervical Interbody Fusion; J. Neurosurg. 61:793-794 (Oct. 1984).
 Whatmore, W.J., et al.; The Coventry Cervical Spreader and Dowel Inserter; ACTA Neurochirurgica, vol. 70, FASC. 1-2 (1984).
 Raveh, J., et al.; Use of the Titanium-coated Hollow Screw and Reconstruction Plate System in Bridging of Lower Jaw Defects; J. Oral Maxillofac Surg. 42:281-294 (1984).
 Otero-Vich, Jose M.; Anterior Cervical Interbody Fusion with Threaded Cylindrical Bone; J. Neurosurg 63:750-753 (Nov. 1985).
 Morscher, E., et al.; Die vordere Verplattung der Halswirbelsäule mit dem Hohlschrauben-Plattensystem aus Titanium, Der Chirurg, vol. 57, pp. 702-707 (1986) with English Translation.
 Bagby, G.W.; Basket Implant Facillitates Spinal Fusion; Orthopedics Today, vol. 7, No. 10 (Oct. 1987).
 Butts, M. L., et al.; Biomechanical Analysis of a New Method for Spinal Interbody Fixation; 1987 Symposium, American Society of Mechanical Engineers, "Advances in Bioengineering", Boston, MA (Dec. 13-18, 1987).

- Crawley et al.; A Modified Cloward's Technique for Arthrodesis of the Normal Metacarpophalangeal Joint in the Horse; *Veterinary Surgery*, vol. 17, No. 3, pp. 117-127 (1988).
- Raveh, J., et al.; Surgical Procedures for Reconstruction of the Lower Jaw Using the Titanium-Coated Hollow-Screw Reconstruction Plate System: Bridging of Defects; *Otolaryngologic Clinics of North America*; vol. 20, No. 3 (Aug. 1987).
- Whatmore, W. J.; Proceedings of the Society of British Neurological Surgeons; *Journal of Neurology, Neurosurgery, and Psychiatry*, 50:1093-1100 (1987).
- Goldthwaite, N., et al.; *Toward Percutaneous Spine Fusion*; Ch. 45; *Lumbar Spine Surgery*; C.V. Mosby Company, pp. 512-522 (1987).
- Bagby, G.W.; Arthrodesis by the Distraction-Compression Method Using a Stainless Steel Implant; *Orthopedics*, vol. II, No. 6, pp. 931-934 (Jun. 1987).
- Itoman, M., et al.; Banked Bone Grafting for Bone Defect Repair—Clinical Evaluation of Bone Union and Graft Incorporation; *J. Jpn. Orthop. Assoc.* 62:461-469 (1988).
- Kane, W.J.; Direct Current Electrical Bone Growth Stimulation for Spinal Fusion; *Spine*, vol. 13, No. 3, pp. 363-365 (Mar. 1988).
- The SpF-T Spinal Fusion Stimulator: An Efficacious Adjunct that Meets the Diverse Needs of Spine Patients; EBI Medical Systems; (Aug. 1991).
- Schmitz et al.; Performance of Alioplastic Materials and Design of an Artificial Disc; *The Artificial Disc*, Brock, Mayer, Weigel; pp. 23-34 (1991).
- The Use of Direct Current for Electrically Induced Osteogenesis; The Positive Effect of an Electronegative charge on Bone Growth; EBI Medical Systems (Feb. 1993).
- Mylonas, C., et al.; Anterior Cervical Decompression and Fusion Using the Coventry Cervical Spreader and Dowel Insert; *British Journal of Neurosurgery*, 7:545-549 (1993).
- Fusion of the Lumbar Spine; Anterior Monosegmental Fusion L5-S1, *Atlas of Spinal Operations*, Thieme, pp. 270-274 (1993).
- Spine Basics*, Danek Group, Inc., Glossary (1993).
- Lumbar Spine Surgery, Techniques & Complications; History of Lumbar Spine Surgery* (1994) pp. 11-15; 27; 30; 35-45; 265-268. European Search Report dated Aug. 4, 1999.
- Cloward, Ralph B.; *Surgical Techniques for Lumbar Disc Lesions*; Codman; Signature Series 3.
- Cloward, Ralph B.; *Ruptured Cervical Intervertebral Discs: Removal of Disc & Osteophytes & Anterior Cervical Interbody Fusion* (A.C. I.F.); Codman; Signature Series 4.
- Cloward, Ralph B.; *Recent Advances in Surgery of the Cervical Spine*; pp. 285-293; *German Society For Neurosurgery*; vol. 2 *Cervical Spine Operations*; Excerpta Medica.
- Hutter, Charles George; *Spinal Stenosis and Posterior Lumbar Interbody Fusion*; pp. 103-114; *Clinical Orthopaedics and Related Research*; No. 193; *The Association of Bone and Joint Surgeons*.
- Lin, Paul M.; *Posterior Lumbar Interbody Fusion*; pp. 114-122; Charles C. Thomas; Springfield, Illinois.
- Lin, Paul M.; *Lumbar Interbody Fusion: Principles and Techniques in Spine Surgery; Techniques and Complications*; pp. 81, 98, 120, 146, 173, 180-184, 204, 224, 225, 231; Aspen Publishers, Inc.; 1989.
- Tan, S.B.; *A Modified Technique of Anterior Lumbar Fusion with Femoral Cortical Allograft*; pp. 83-93; *The Journal of Orthopaedic Suroical Techniques*, vol. 5, No. 3, 1990.
- Muller, M.E.; *Manual of Internal Fixation: Techniques Recommended by the AO Group*; Second Edition, Expanded and Revised; pp. 3-20, 27-41, 53-58, 71-78, 94, 311, 320; Springer-Verlag; 1979.
- Hierholzer, G.; *Manual on the AO/ASIF Tubular External Fixator*; pp. 85-91; Springer-Verlag; 1985.
- Helm, Urs, *Small Fragment Set Manual: Technique Recommended by the ASIF-Group*; pp. 5-7, 10, 20, 21, 30; Springer-Verlag, 1974.
- Harmon, Paul H.; *Anterior Excision and Vertebral Body Fusion Operation for Intervertebral Disk Syndromes of the Lower Lumbar Spine: Three- to Five-Year Results in 244 Cases*; pp. 107-127, *Clinical Orthopaedics and Related Research*, No. 26, J.B. Lippincott.
- Harmon, Paul H.; *A Simplified Surgical Technic for Anterior Lumbar Discectomy and Fusion; Avoidance of Complications; Anatomy of the Retroperitoneal Veins*; pp. 130-143; *Clinical Orthopaedics and Related Research*, No. 37, J.B. Lippincott Company, 1964.
- Bullough, Peter G.; *Atlas of Spinal Diseases; Figure 5.7*; J.B. Lippincott Company; 1988.
- Canale, S. Terry; *Campbell's Operative Orthopaedics*; vol. 3, 9th Edition; pp. 2191, 2216, 2459; Mosby, 1998.

* cited by examiner



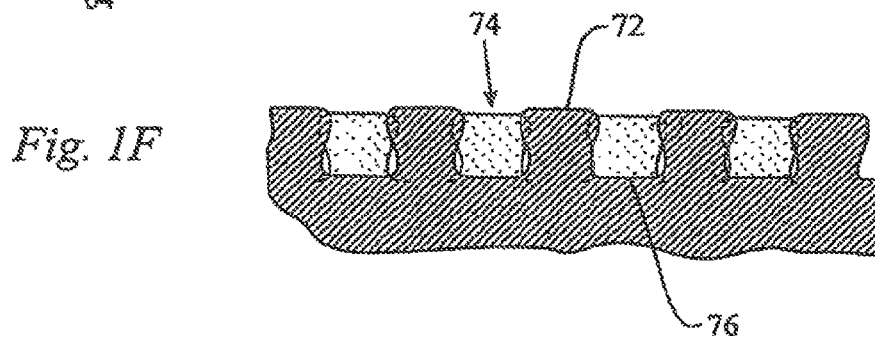
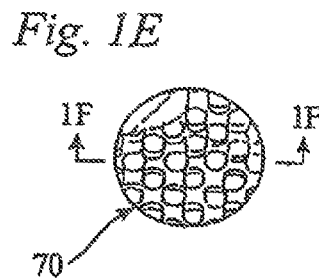
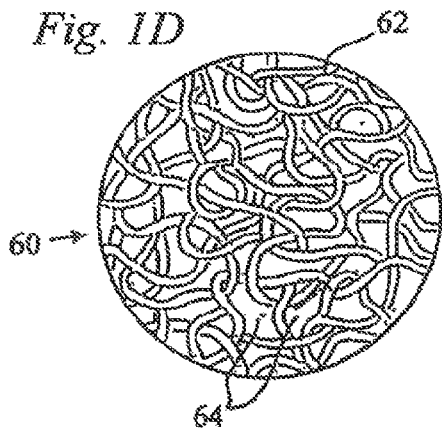
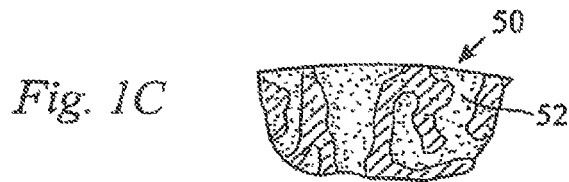
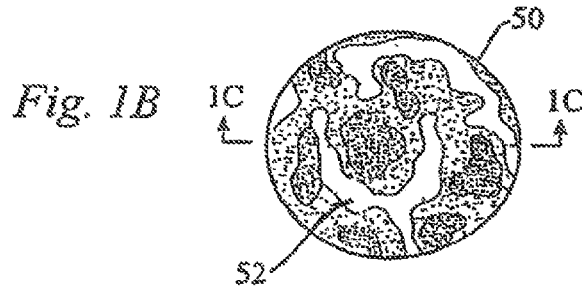


Fig. 4

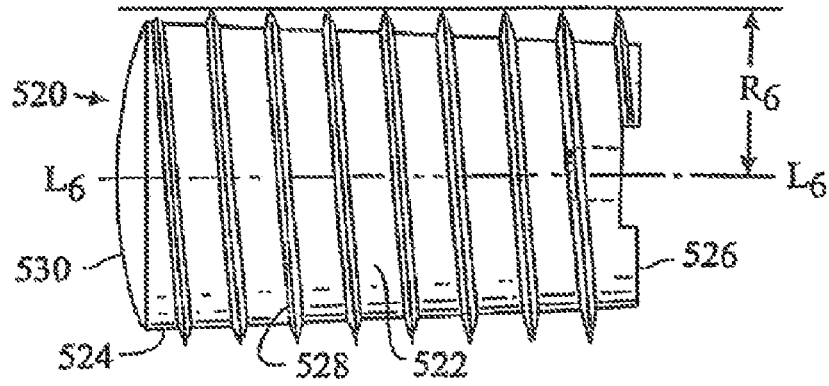
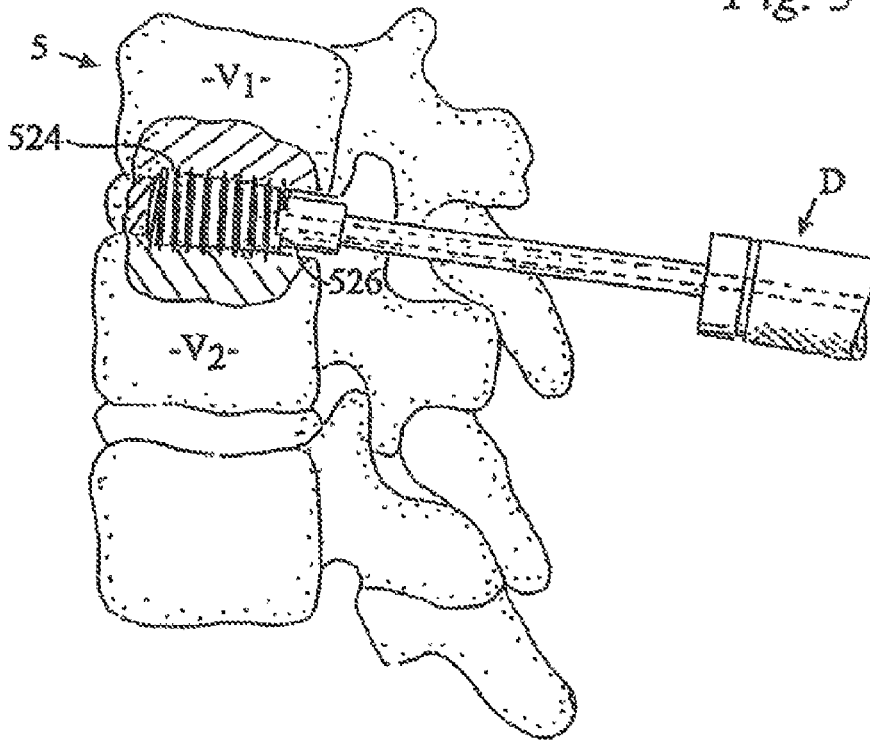
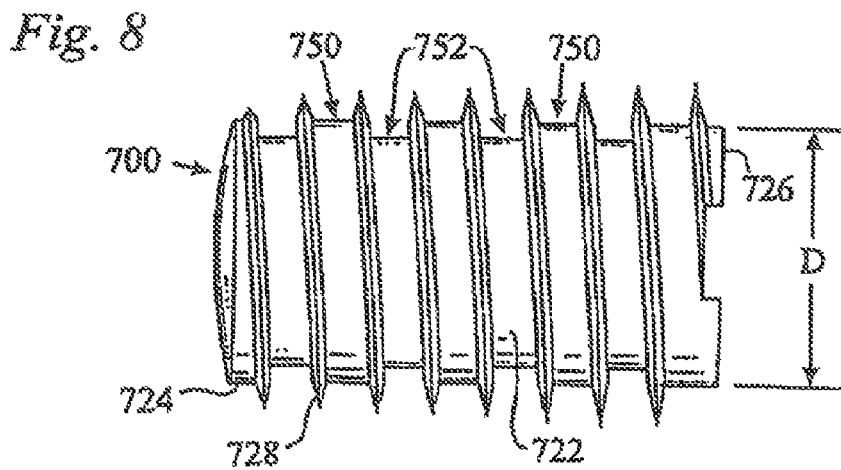
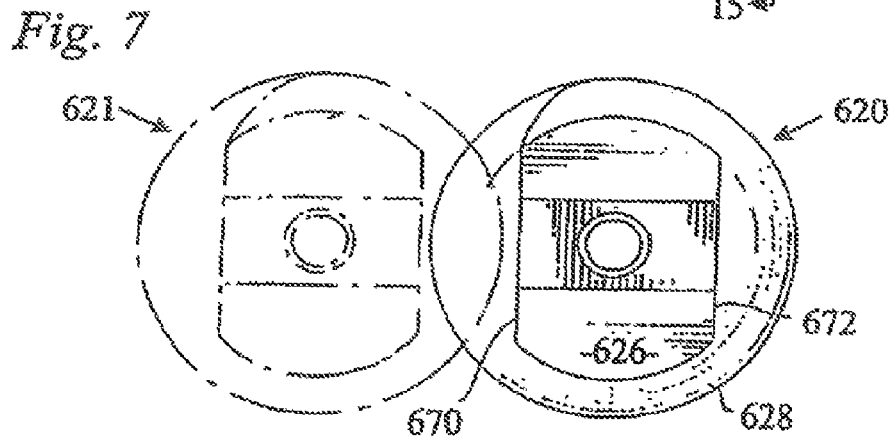
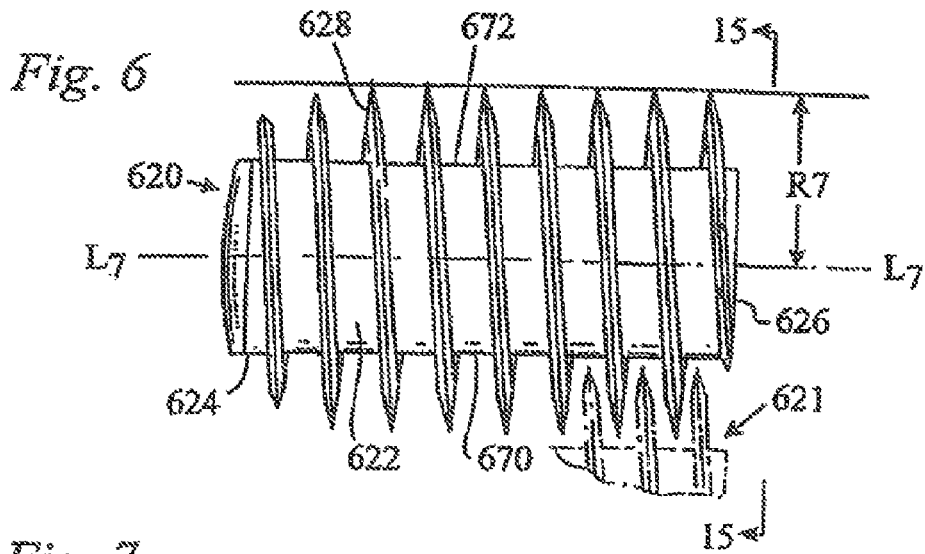


Fig. 5





1

THREADED FRUSTO-CONICAL SPINAL IMPLANTS

The present application is a continuation of application Ser. No. 12/942,671, filed Nov. 9, 2010 now U.S. Pat. No. 8,057,475; which is a continuation of application Ser. No. 12/454,393, filed May 18, 2009, now U.S. Pat. No. 7,828,800; which is a continuation of application Ser. No. 08/480,908, filed Jun. 7, 1995, now U.S. Pat. No. 7,534,254; which is incorporated herein by reference.

BACKGROUND OF THE INVENTION

1. Field of the Invention

The present invention relates generally to interbody spinal fusion implants, and in particular to spinal fusion implants configured to restore and maintain two adjacent vertebrae of the spine in anatomical lordosis.

2. Description of the Prior Art

Interbody spinal fusion refers to the method of achieving bony bridging between adjacent vertebrae through the disc space, the space between adjacent vertebrae normally occupied by a spinal disc. Numerous implants to facilitate such a fusion have been described by Cloward, Brantigan, and others, and are known to those skilled in the art. Generally, cylindrical implants offer the advantage of conforming to an easily prepared recipient bore spanning the disc space and penetrating into each of the adjacent vertebrae. Such a bore may be created by use of a drill. It is an anatomical fact that both the cervical spine and the lumbar spine are normally lordotic, that is convex forward. Such alignment is important to the proper functioning of the spine. Commonly, those conditions which require treatment by spinal fusion are associated with a loss of lordosis.

Therefore, there exists a need for spinal fusion implants that permit for the restoration of anatomical lordosis.

SUMMARY OF THE INVENTION

The present invention is directed to a variety of interbody spinal fusion implants having at least a partially frusto-conical configuration. In the preferred embodiment, the spinal fusion implants of the present invention have a body that is partially or fully frusto-conical shape substantially along the portion of the implant in contact with the adjacent vertebrae of the spine. The spinal fusion implants of the present invention have an external thread for engaging the adjacent vertebrae of the spine and have an insertion end and a trailing end. The external thread may have a variable or constant thread radius and/or a constant or variable thread height measured from the body of the implant.

The spinal fusion implants of the present invention may be further modified so that while the upper and lower surfaces are portions of a frusto-cone, at least one side portion may be truncated to form a planar surface that is parallel to the central longitudinal axis of the implant to form straight walls. These implants may have a more tapered aspect at the insertion end of the implant to facilitate insertion. The spinal fusion implants of the present invention may be relatively solid and/or porous and/or hollow, and may have surface roughenings to promote bone ingrowth and stability.

The spinal fusion implants of the present invention may have wells extending into the material of the implant from the surface for the purpose of holding fusion promoting materials and to provide for areas of bone ingrowth fixation. These wells, or holes, may pass either into or through the implant and may or may not intersect. The spinal fusion implants of

2

the present invention may have at least one chamber which may be in communication through at least one opening to the surface of the implant. Said chamber may have at least one access opening for loading the chamber with fusion promoting substances. The access opening may be capable of being closed with a cap or similar means.

The spinal fusion implants of the present invention offer significant advantages over the prior art implants:

1. Because the spinal fusion implants of the present invention are at least partially frusto-conical in shape, those that taper from the leading edge to the trailing edge are easy to introduce and easy to fully insert into the spinal segment to be fused. In another embodiment, where the trailing edge of the implant is larger than the leading edge, the implant utilizes a tapered forward portion and an increasing thread height relative to the body from the leading edge to the trailing edge to facilitate insertion.
2. The shape of the implants of the present invention is consistent with the shape of the disc, which the implants at least in part replace, wherein the front of the disc is normally taller than the back of the disc, which allows for normal lordosis. The implants of the present invention are similarly taller anteriorly than they are posteriorly.
3. The spinal fusion implants of the present invention conform to a geometric shape, which shape is readily producible at the site of fusion, to receive said spinal fusion implants.

The spinal fusion implants of the present invention can be made of any material appropriate for human implantation and having the mechanical properties sufficient to be utilized for the intended purpose of spinal fusion, including various metals such as cobalt chrome, stainless steel or titanium including its alloys, various plastics including those which are bio-absorbable, and various ceramics or combination sufficient for the intended purpose. Further, the spinal fusion implants of the present invention may be made of a solid material, a mesh-like material, a porous material and may comprise, wholly or in part, materials capable of directly participating in the spinal fusion process, or be loaded with, composed of, treated or coated with chemical substances such as bone, morphogenic proteins, hydroxyapatite in any of its forms, and osteogenic proteins, to make them bioactive for the purpose of stimulating spinal fusion. The implants of the present invention may be wholly or in part bioabsorbable.

OBJECTS OF THE PRESENT INVENTION

It is an object of the present invention to provide a spinal fusion implant that is easily inserted into the spine, having a tapered leading end;

It is another object of the present invention to provide a spinal fusion implant that tapers in height from one end to the other consistent with the taper of a normal spinal disc;

It is yet another object of the present invention to provide a spinal fusion implant that is capable of maintaining anatomic alignment and lordosis of two adjacent vertebrae during the spinal fusion process;

It is still another object of the present invention to provide a spinal fusion implant that is self stabilizing within the spine;

It is yet another object of the present invention to provide a spinal fusion implant that is capable of providing stability between adjacent vertebrae when inserted;

It is still another object of the present invention to provide a spinal fusion implant that is capable of participating in the fusion process by containing, being composed of, or being treated with fusion promoting substances;

3

It is further another object of the present invention to provide a spinal fusion implant that is capable of spacing apart and supporting adjacent vertebrae during the spinal fusion process;

It is still further another object of the present invention to provide a spinal fusion implant that is consistent in use with the preservation of a uniform thickness of the subchondral vertebral bone;

It is another object of the present invention to provide a spinal fusion implant having a shape which conforms to an easily produced complementary bore at the fusion site; and

It is a further object of the present invention to provide a frusto-conical spinal fusion implant which may be placed side by side adjacent to a second identical implant across the same disc space, such that the combined width of the two implants is less than sum of the individual heights of each implant.

It is a further object of the present invention to provide a frusto-conical spinal fusion implant which may be placed side by side adjacent to a second identical implant across the same disc space, such that the combined width of the two implants is less than sum of the individual lengths of each implant.

These and other objects of the present invention will become apparent from a review of the accompanying drawings and the detailed description of the drawings.

BRIEF DESCRIPTION OF THE DRAWINGS

FIG. 1 is a side elevational view of the spinal fusion implant of the present invention having a body that is frusto-conical with an external thread having a substantially uniform radius.

FIG. 1A is an enlarged fragmentary view along line 1A of FIG. 1 illustrating the surface configuration of the implant of FIG. 1.

FIG. 1B is an enlarged fragmentary view along line 1A of FIG. 1 illustrating an alternative embodiment of the surface configuration of the implant of the present invention made of a cancellous material.

FIG. 1C is a cross sectional view along lines 1C-1C of FIG. 1B illustrating the alternative embodiment of the surface configuration of the implant of the present invention made of a cancellous material.

FIG. 1D is an enlarged fragmentary view along line 1A of FIG. 1 illustrating an alternative embodiment of the surface configuration of the implant of the present invention made of a fibrous mesh-like material.

FIG. 1E is a fragmentary view along line 1A of FIG. 1 illustrating an alternative embodiment of the surface configuration, of the implant of the present invention comprising a plurality of spaced apart posts.

FIG. 1F is an enlarged fragmentary sectional view along lines 1F-1F of FIG. 1E illustrating the surface configuration of the implant of FIG. 1E.

FIG. 2 is an alternative embodiment of the spinal fusion implant of the present invention having a frusto-conical body with an external thread radius and thread height that are not constant.

FIG. 3 is as cross sectional view along line 3-3 of the implant of FIG. 2.

FIG. 4 is a side elevational view of an alternative embodiment of the spinal fusion implant of the present invention.

FIG. 5 is a side elevational view and partial cut-away of a segment of the spinal column in lordosis showing the spinal fusion implant of FIG. 4 being implanted with a driving instrument from the posterior approach to the spinal column.

4

FIG. 6 is a side elevational view of an alternative embodiment of the spinal fusion implant of the present invention having a frusto-conical body and truncated sides.

FIG. 7 is an end view along line 7-7 of the spinal fusion implant of FIG. 6 shown placed beside a second identical implant shown in hidden line.

FIG. 8 is a side elevational view of an alternative embodiment of the spinal fusion implant of the present invention having a body with an irregular configuration.

DETAILED DESCRIPTION OF THE PREFERRED EMBODIMENT

Referring to FIG. 1, a side elevational view of the spinal fusion implant of the present invention generally referred to by numeral 20 is shown. The implant 20 has a body 22 that is frusto-conical in shape such that the body 22 has a diameter (root diameter) that is generally frusto-conical. The body 22 has an insertion end 24 and a trailing end 26. The insertion end 24 may include a tapered portion 25 to facilitate insertion of the spinal implant 20. In the preferred embodiment, when the implant 20 is inserted from the anterior aspect of the spine, the body 22 of the implant 20 has a maximum diameter at a point nearest to the trailing end 26 and a minimum diameter at a point nearest to the insertion end 24.

The implant 20 has an external thread 28 having a substantially uniform radius R_1 measured from the central longitudinal axis L_1 of the implant 20. The outer locus of the external thread 28 (major diameter) has an overall configuration that is substantially parallel to the longitudinal axis L_1 . While the major diameter of the implant 20 is substantially uniform, the external thread 28 may be modified at the leading edge by having initially a reduced thread radius to facilitate insertion of the implant 20 and may also be modified to make the external thread 28 self-tapping. In the preferred embodiment, the external thread 28 has a first thread 30 of a lesser radius than the radius R_1 of the remainder of the external thread 28 to facilitate insertion of the implant 20. The second thread 32 has a greater radius than the first thread 30, but is still shorter than the radius R_1 of the remainder of the external thread 28 which is thereafter of constant radius.

The body 22 is frusto-conical substantially along the portion of the body 22 in contact with the adjacent vertebrae of the spine which allows for creating and maintaining the adjacent vertebrae of the spine in the appropriate angular relationship to each other in order to preserve and/or restore the normal anatomic lordosis of the spine. The substantially uniform radius R_1 of the external thread 28 of the implant 20 allows engaging the bone of the adjacent vertebrae in a position that counters the forces which tend to urge the implant 20 from between the adjacent vertebrae in the direction opposite to which the implant 20 was implanted. The greater thread height measured from the body 22 near the leading end 24 of the implant 20 provides greater purchase into the vertebral bone and again enhances the stability of the implant 20. Further, the configuration of the external thread 28 increases the surface area of the implant 20 in contact with the vertebrae to promote bone ingrowth.

The implant 20 has a recessed slot 34 at its trailing end 26 for receiving and engaging insertion instrumentation for inserting the implant 20. The recessed slot 34 has a threaded opening 36 for threadably attaching the implant 20 to instrumentation used for inserting the implant 20.

Referring to FIG. 1A, the implant 20 has an outer surface 38 that is porous to present an irregular surface to the bone to promote bone ingrowth. The outer surface 38 is also able to hold fusion promoting materials and provides for an

5

increased surface area to engage the bone in the fusion process and to provide further stability. The pores of the outer surfaces **38** are microscopic in size having a diameter that is less than 1 mm, in the range of 50-1000 microns, with 250-500 microns being the preferred diameter. It is appreciated that the outer surface **38**, and/or the entire implant **20**, may comprise any other porous material or roughened surface sufficient to hold fusion promoting substances and/or allow for bone ingrowth and/or engage the bone during the fusion process. The implant **20** may be further coated with bioactive fusion promoting substances including, but not limited to, hydroxyapatite compounds, osteogenic proteins and bone morphogenic proteins. The implant **20** is shown as being solid, however it is appreciated that it can be made to be substantially hollow or hollow in part.

Referring to FIG. 1B, an enlarged fragmentary view along line 1A of FIG. 1 illustrating an alternative embodiment of the surface configuration **38** of the implant of the present invention made of a cancellous material is shown. The cancellous material **50**, similar in configuration to human cancellous bone, having interstices **52** such that the outer surface **38** has a configuration as shown in FIGS. 1B and 1C. As the implant of the present invention may be made entirely or in part of the cancellous material **50**, the interstices **52** may be present in the outer surface **38** and/or within the entire implant to promote bone ingrowth and hold bone fusion promoting materials.

Referring to FIG. 1D, an enlarged fragmentary view along line 1A of FIG. 1 illustrating an alternative embodiment of the surface configuration of the implant of the present invention made of a fibrous mesh-like material is shown. The mesh-like material **60** comprises strands **62** that are formed and pressed together such that interstices **64**, capable of retaining fusion promoting material and for allowing for bone ingrowth, are present between the strands in at least the outer surface **38** of implant of the present invention.

Referring to FIGS. 1E and 1F, a fragmentary view along line 1A of FIG. 1 illustrating an alternative embodiment of the surface configuration **38** of the implant of the present invention comprising a plurality of spaced apart posts **70** is shown. The posts **70** have a head portion **72** of a larger diameter than the remainder of the posts **70**, and each of the interstices **74** is the reverse configuration of the posts **72**, having a bottom **76** that is wider than the entrance to the interstices **74**. Such a configuration of the posts **70** and interstices **74** aids in the retention of bone material in the surface **38** of the implant and further assists in the locking of the implant into the bone fusion mass created from the bone ingrowth. As the bone ingrowth at the bottom **76** of the interstices is wider than the entrance, the bone ingrowth cannot exit from the entrance and is locked within the interstice **74**. The surface of the implant provides for an improvement in the available amount of surface area which may be still further increased by rough finishing, flocking or otherwise producing a non smooth surface.

In the preferred embodiment, the posts **70** have a maximum diameter in the range of approximately 0.1-2 mm and a height of approximately 0.1-2 mm and are spaced apart a distance of approximately 0.1-2 mm such that the interstices **74** have a width in the range of approximately 0.1 to 2 mm. The post sizes, shapes, and distributions may be varied within the same implant.

In the preferred embodiment, for use in the lumbar spine, the implant **20** has an overall length in the range of approximately 24 mm to 32 mm with 26 mm being the preferred length. The body **22** of the implant **20** has a root diameter at the insertion end **24** in the range of 8-20 mm, with 14-16 mm being the preferred root diameter at the insertion end, and a

6

root diameter at the trailing end **26** in the range of 10-24 mm, with 16-18 mm being the preferred diameter at the trailing end **26**, when said implants, are used in pairs. When used singly in the lumbar spine, the preferred diameters would be larger.

In the preferred embodiment, the implant **20** has a thread radius R_1 in the range of 6 mm to 12 mm, with 9-10 mm being the preferred radius R_1 . For use in the cervical spine, the implant **20** has an overall length in the range of approximately 10-22 mm, with 12-14 mm being the preferred length. The body **22** of the implant **20** has a root diameter at the insertion end **24** in the range of 8-22 mm, with 16-18 mm being the preferred root diameter at the insertion end when used singly, and 8-10 mm when used in pairs. The body **22** of the implant **20** has a root diameter at the trailing end **26** in the range of 10-24 mm, with 18-20 mm being the preferred root diameter at the trailing end **26** when used singly, and 10-12 mm when used in pairs; a thread radius, R_1 in the range of approximately 4-12 mm, with 9-10 mm being the preferred radius R_1 when inserted singularly and 5-7 mm when inserted side by side in pairs.

Referring to FIG. 2, an alternative embodiment of implant **20** is shown and generally referred to by the numeral **120**. The implant **120** has a body **122** similar to body **122** of implant **120** and has an external thread **128** having a radius R_3 measured from the central longitudinal axis L_3 of the implant **120**. The thread radius R_3 is not constant throughout the length of the implant **120** and the external thread **128** has a thread height that is also not constant with respect to the body **122** of the implant **120**. In the preferred embodiment, the implant **120** has an external thread **128** with a radius R_3 that increases in size from the insertion end **124** to the trailing end **126** of the implant **120**.

Referring to FIG. 3, a cross sectional view along line 3-3 of the implant **120** is shown. The implant **120** has an outer wall **144** surrounding an internal chamber **146**. The large and small openings **140** and **142** may pass through the outer wall **144** to communicate with the internal chamber **146**. The internal chamber **146** may be filled with bone material or any natural bone growth material or fusion promoting material such that bone growth occurs from the vertebrae through the openings **140** and **142** to the material within internal chamber **146**. While the openings **140** and **142** have been shown in the drawings as being circular, it is appreciated that the openings **140** and **142** may have any shape, size configuration or distribution, suitable for use in a spinal fusion implant without departing from the scope of the present invention.

The openings **140** and **142** are macroscopic in size having a diameter that is greater than 1 mm. The large openings **140** have a diameter in the range of 206 mm, with the preferred diameter being 3.5 mm; and the small openings have a diameter in the range of 1-2 mm, with 1.5 mm being the preferred diameter.

The implant **120** has a cap **148** with a thread **150** that threadably attaches to the insertion end **124** of the spinal fusion implant **120**. The cap **148** is removable to provide access to the internal chamber **146**, such that the internal chamber **146** can be filled and hold any natural or artificial osteoconductive, osteoinductive, osteogenic, or other fusion enhancing material. Some examples of such materials are bone harvested from the patient, or bone growth inducing material such as, but not limited to, hydroxyapatite, hydroxyapatite tricalcium phosphate; or bone morphogenic protein. The cap **148** and/or the spinal fusion implant **120** may be made of any material appropriate for human implantation including metals such as cobalt chrome, stainless steel, titanium, plastics, ceramics, composites and/or may be made of,

7

and/or filled, and/or coated with a bone ingrowth inducing material such as, but not limited to, hydroxyapatite or hydroxyapatite tricalcium phosphate or any other osteoconductive, osteoinductive, osteogenic, or other fusion enhancing material. The cap 148 and the implant 120 may be partially or wholly bioabsorbable.

Referring to FIG. 4, a side elevational view of an alternative embodiment of the spinal fusion implant of the present invention generally referred to by numeral 520 is shown. The implant 520 has a body 522 having a root diameter that is frusto conical in the reverse direction as that implant 20 shown in FIG. 1, in order to preserve and/or restore lordosis in a segment of spinal column when inserted from the posterior aspect of the spine. The body 522 has an insertion end 524 and a trailing end 526. In the preferred embodiment, the body 522 of the implant 520 has a minimum diameter at a point nearest to the trailing end 526 and a maximum diameter at a point nearest to the insertion end 524. The insertion end 524 may have an anterior nose cone portion 530 presenting a tapered end to facilitate insertion.

The implant 520 has an external thread 528 having a substantially uniform radius R_6 measured from the central longitudinal axis L_6 of the implant 520 such that the external diameter of the external thread 528 (major diameter) has an overall configuration that is substantially parallel to the longitudinal axis L_6 . It is appreciated that the thread 528 can have a major diameter that varies with respect to the longitudinal axis L_6 , such that the major diameter may increase from the insertion end 524 to the trailing end 526 or the reverse. The external thread 528 has a thread height measured from the body 522 that increases from the insertion end 524 to the trailing end 526.

Referring to FIG. 5, a segment of the spinal column S is shown with the vertebrae V_1 and V_2 in lordosis and an implant 520 shown being inserted from the posterior aspect of the spinal column S with an instrument driver D. The implant 520 is inserted with the larger diameter insertion end 524 first in order to initially distract apart the vertebrae V_1 and V_2 which then angle toward each other posteriorly as the implant 520 is fully inserted. It is appreciated that the insertion of implant 520 does not require the adjacent vertebrae V_1 and V_2 to be placed in lordosis prior to insertion, as the full insertion of the implant 520 itself is capable of creating the desired lordotic angular relationship of the two vertebrae V_1 and V_2 .

In the preferred embodiment, for use in the lumbar spine, the implant 520 has an overall length in the range of approximately 24 to 30 mm, with 26 mm being the preferred length. The body 522 of the implant 520 has a root diameter at the insertion end 524 in the range of 12-22 mm, with 16 mm being the preferred root diameter at the insertion end, and a root diameter at the trailing end 526 in the range of 10-20 mm, with 14 mm being the preferred diameter at the trailing end 526. In the preferred embodiment, the implant 520 has a thread radius R_6 in the range of 6 mm to 12 mm, with 8 mm being the preferred radius R_6 .

Referring to FIG. 6, an alternative embodiment of the spinal fusion implant of the present invention generally referred to by the numeral 620 and a partial fragmentary view of a second identical implant, generally referred to by the numeral 621 are shown. The implant 620 has a body 622 that is partially frusto-conical in shape similar to body 22 of implant 20 shown in FIG. 1, and has an insertion end 624 and a trailing end 626. The body 622 of the implant 620 has truncated sides 670 and 672 forming planar surfaces that are parallel to the longitudinal axis L_7 . In this manner, two implants 620 and 621 may be placed side by side, with one of the sides 670 or 672 of each implant with little space between them, such that

8

the area of contact with the bone of the adjacent vertebrae is maximized. It is appreciated that the body 622 may also be cylindrical in shape and have truncated sides 670 and 672.

The implant 620 has an external thread 628 having a radius R_6 measured from the central longitudinal axis L_7 that may be constant, such that the major diameter or outer locus-of the external thread 628 has an overall configuration that is substantially, cylindrical. It is appreciated that the external thread 628 may have a thread radius R_7 that is variable with respect to the longitudinal axis L_7 such that the major diameter or outer locus of the external thread 628 has an overall configuration that is substantially frusto-conical.

Referring to FIG. 7, an end view of the implant 620 placed beside implant 621 is shown. The implant 620 has a thread radius that is substantially constant and has a thread height measured from the body 622 that is greater at the sides 670 and 672. In this manner, two implants 620 and 621 can be placed beside each other with the external thread 628 of each implant interdigitated allowing for closer adjacent placement of the two implants as a result of the substantial overlap of the external thread 628 at the side 670 or 672 of the implants.

Referring to FIG. 8, an alternative embodiment of the implant of the present invention is shown and generally referred to by the numeral 700. The implant 700 is similar in configuration to implant 20 shown in FIG. 1, except that the body 722 has an irregular configuration. The configuration of the body 722 has a root diameter D which is variable in size throughout the length of the implant 700 and, as shown in this embodiment, comprises larger diameter portions 750 and smaller diameter portions 752. It is appreciated that each of the large diameter portions 750 may be of the same or different diameter and each of the smaller diameter portions 752 may be of the same or different diameter.

The outer surface of the body 722 of implant 720 may be filled with fusion promoting substances such that the smaller diameter portions 752 may hold such fusion promoting substances. If so filled, the composite of the implant 700 and the fusion promoting material could still produce an even external surface of the body 722 if so desired.

While the present invention has been described in detail with regards to the preferred embodiments, it is appreciated that other variations of the present invention may be devised which do not depart from the inventive concept of the present invention. In particular, it is appreciated that the various teachings described in regards to the specific embodiments herein may be combined in a variety of ways such that the features are not limited to the specific embodiments described above.

Each of the features disclosed in the various embodiments and their functional equivalents may be combined in any combination sufficient to achieve the purposes of the present invention as described herein.

I claim:

1. A spinal implant for insertion within an implantation space formed into a segment of adjacent vertebral bodies of a human lumbar spine, said implant comprising:

a body having a leading end, a trailing end, a mid-longitudinal axis through said leading and trailing ends, a length parallel to the mid-longitudinal axis, and an arcuate sidewall surrounding the mid-longitudinal axis and extending from said leading end to said trailing end, said body having an interior surface and an opposite exterior surface, said arcuate sidewall having at least two apertures extending therethrough, said apertures being in communication with each other;

a first thread extending from said interior surface of said body proximate said trailing end, said first thread having a major diameter;

a second thread extending from said interior surface of said body, said second thread being spaced apart from said first thread, said second thread having a major diameter of a different size relative to the major diameter of said first thread; and

a third thread extending from said exterior surface of said body, said body having a frustoconical configuration along at least a portion of its length and over a plurality of turns of said third thread about the mid-longitudinal axis.

2. The implant of claim 1, wherein said implant is configured to space apart the adjacent vertebral bodies.

3. The implant of claim 1, wherein said implant is configured to distract apart the adjacent vertebral bodies using an element of rotation.

4. The implant of claim 1, wherein said third thread has a variable height along each turn of said third thread about the mid-longitudinal axis of said body.

5. The implant of claim 4, wherein said third thread has an outer locus with a substantially cylindrical configuration.

6. The implant of claim 1, wherein an outer locus of one of said threads has a substantially cylindrical configuration.

7. The implant of claim 1, wherein said first thread proximate said trailing end has an outer locus with a substantially cylindrical configuration.

8. The implant of claim 1, wherein said body has the frustoconical configuration along its length over at least eight turns of said third thread about the mid-longitudinal axis.

9. The implant of claim 1, wherein said body includes a central bore extending from said trailing end along the mid-longitudinal axis of said body, said central bore being configured to permit the delivery of bone growth promoting material to said apertures.

10. The implant of claim 1, wherein said trailing end is closed.

11. The implant of claim 1, wherein said leading end includes an aperture centered at the mid-longitudinal axis.

12. The implant of claim 1, wherein said body includes a central bore extending from said trailing end along the mid-longitudinal axis of said body, said arcuate sidewall having at least one well passing through said body and forming opposed apertures at said exterior surface of said sidewall, said well intersecting said central bore, said central bore being configured to permit delivery of bone growth promoting material to said apertures.

13. The implant of claim 12, wherein said leading end includes an aperture centered at the mid-longitudinal axis.

14. The implant of claim 12, wherein said arcuate sidewall includes a second well passing through said body and forming opposed apertures at said exterior surface of said sidewall, said second well intersecting said well.

15. The implant of claim 1, wherein the major diameter of said first thread proximate said trailing end is less than the major diameter of said second thread.

16. The implant of claim 1, wherein said first thread proximate said trailing end is configured to threadably engage an instrument to insert said implant into the spine.

* * * * *

UNITED STATES PATENT AND TRADEMARK OFFICE
CERTIFICATE OF CORRECTION

PATENT NO. : 8,226,652 B2
APPLICATION NO. : 13/296125
DATED : July 24, 2012
INVENTOR(S) : Gary Karlin Michelson

Page 1 of 1

It is certified that error appears in the above-identified patent and that said Letters Patent is hereby corrected as shown below:

Title Page 3, Item (56), Other Publications

Column 2, line 33: change "Encephalomenigoceles;" to --Encephalomeningoceles--;
Column 2, line 34: change "No. 6" to --No. 4--;
Column 2, line 35: change "Meninigioma" to --Meningioma--;
Column 2, line 42: change "vol. 52:55-170" to --Vol. 52:155-170--;
Column 2, line 44: change "Der Chirug" to --Der Chirurg--;
Column 2, line 46: change "Springer-Velag/Wien" to --Springer-Verlag/Wien--;
Column 2, line 63: change "Halswirbeisäule" to --Halswirbelsäule--;
Column 2, line 66: change "Facillitates" to --Facilitates--; and
Column 2, line 68: change "Butts, M. L.," to --Butts, M. K.,--.

Title Page 4, Item (56), Other Publications

Column 1, line 24: change "Alioplastic" to --Alloplastic--;
Column 2, line 19: change "Suroical" to --Surgical--;
Column 2, line 25: change "Helm" to --Heim--; and
Column 2, line 30: change "Clinicai" to --Clinical--.

Signed and Sealed this
Twelfth Day of March, 2013



Teresa Stanek Rea
Acting Director of the United States Patent and Trademark Office