



(12) **United States Patent**
Michelson

(10) **Patent No.:** **US 8,137,403 B2**
(45) **Date of Patent:** **Mar. 20, 2012**

(54) **HEMI-INTERBODY SPINAL FUSION
IMPLANTS MANUFACTURED FROM A
MAJOR LONG BONE RING**

(75) Inventor: **Gary K. Michelson**, Venice, CA (US)

(73) Assignee: **Warsaw Orthopedic, Inc.**, Warsaw, IN (US)

(*) Notice: Subject to any disclaimer, the term of this patent is extended or adjusted under 35 U.S.C. 154(b) by 251 days.

(21) Appl. No.: **12/587,196**

(22) Filed: **Oct. 2, 2009**

(65) **Prior Publication Data**
US 2010/0030333 A1 Feb. 4, 2010

Related U.S. Application Data
(63) Continuation of application No. 11/338,395, filed on Jan. 24, 2006, now Pat. No. 7,611,536, which is a continuation of application No. 10/112,745, filed on Apr. 2, 2002, now Pat. No. 6,989,031.

(60) Provisional application No. 60/281,187, filed on Apr. 3, 2001, provisional application No. 60/281,112, filed on Apr. 2, 2001.

(51) **Int. Cl.**
A61F 2/44 (2006.01)

(52) **U.S. Cl.** **623/17.11**

(58) **Field of Classification Search** 623/17.11-17.16
See application file for complete search history.

(56) **References Cited**
U.S. PATENT DOCUMENTS

2,677,369 A	5/1954	Knowles
3,426,364 A	2/1969	Lumb
3,848,601 A	11/1974	Ma et al.
3,867,728 A	2/1975	Stubstad et al.

3,875,595 A	4/1975	Froning
3,905,047 A	9/1975	Long
D245,259 S	8/1977	Shen
4,070,514 A	1/1978	Eatherly et al.
4,309,777 A	1/1982	Patil
4,349,921 A	9/1982	Kuntz
4,501,269 A	2/1985	Bagby
RE31,865 E	4/1985	Roux
4,599,086 A	7/1986	Doty
4,636,217 A	1/1987	Ogilvie et al.
4,714,469 A	12/1987	Kenna
4,743,256 A	5/1988	Brantigan
4,759,766 A	7/1988	Buettner-Janz et al.
4,759,769 A	7/1988	Hedman et al.
4,820,305 A	4/1989	Harms et al.

(Continued)

FOREIGN PATENT DOCUMENTS

DE 35 05 567 A1 5/1986

(Continued)

OTHER PUBLICATIONS

Crock, H.V.; *Practice of Spinal Surgery*; Springer-Verlag/Wien, New York; 1983.

(Continued)

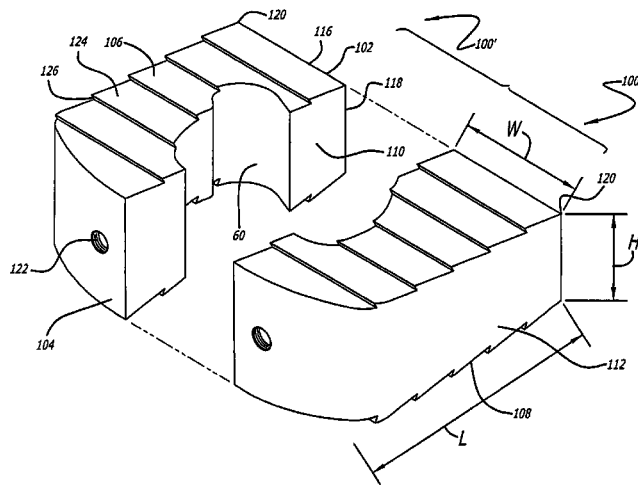
Primary Examiner — Pedro Philogene

(74) *Attorney, Agent, or Firm* — Martin & Ferraro, LLP

(57) **ABSTRACT**

An interbody spinal implant comprising cortical bone having a width less than one-half the width of the disc space into which it is adapted to be inserted. The implant has a leading end that is asymmetrical from side to side and/or includes a straight portion adapted to be used in side-by-side pairs.

18 Claims, 7 Drawing Sheets



U.S. PATENT DOCUMENTS							
4,834,757	A	5/1989	Brantigan	6,111,164	A	8/2000	Rainey et al.
4,863,476	A	9/1989	Shepperd	6,113,638	A	9/2000	Williams et al.
4,863,477	A	9/1989	Monson	6,120,503	A	9/2000	Michelson
4,877,020	A	10/1989	Vich	6,136,031	A	10/2000	Middleton
4,878,915	A	11/1989	Brantigan	6,143,032	A	11/2000	Schafer et al.
4,904,261	A	2/1990	Dove et al.	6,159,214	A	12/2000	Michelson
4,911,718	A	3/1990	Lee et al.	6,174,311	B1*	1/2001	Branch et al. 606/86 A
4,936,848	A	6/1990	Bagby	6,179,875	B1	1/2001	Von Stempel
4,955,908	A	9/1990	Frey et al.	6,200,347	B1	3/2001	Anderson et al.
4,961,740	A	10/1990	Ray et al.	6,206,923	B1	3/2001	Boyd et al.
5,015,247	A	5/1991	Michelson	6,210,412	B1	4/2001	Michelson
5,015,255	A	5/1991	Kuslich	6,224,607	B1	5/2001	Michelson
5,026,373	A	6/1991	Ray et al.	6,224,631	B1	5/2001	Kohrs
5,047,055	A	9/1991	Bao et al.	6,231,610	B1	5/2001	Geisler
5,055,104	A	10/1991	Ray	6,241,770	B1	6/2001	Michelson
5,059,193	A	10/1991	Kuslich	6,241,771	B1	6/2001	Gresser et al.
5,062,845	A	11/1991	Kuslich et al.	6,245,108	B1	6/2001	Biscup
5,071,437	A	12/1991	Steffee	6,258,125	B1	7/2001	Paul et al.
5,122,130	A	6/1992	Keller	6,261,586	B1	7/2001	McKay
5,123,926	A	6/1992	Pisharodi	6,270,528	B1	8/2001	McKay
5,171,278	A	12/1992	Pisharodi	6,277,149	B1	8/2001	Boyle et al.
5,192,327	A	3/1993	Brantigan	6,294,041	B1	9/2001	Boyce et al.
5,246,458	A	9/1993	Graham	6,294,187	B1	9/2001	Boyce et al.
5,258,031	A	11/1993	Salib et al.	6,342,074	B1	1/2002	Simpson
5,290,312	A	3/1994	Kojimoto et al.	6,348,071	B1	2/2002	Steffee et al.
5,306,308	A	4/1994	Gross et al.	6,350,283	B1	2/2002	Michelson
5,306,309	A	4/1994	Wagner et al.	6,371,988	B1	4/2002	Pafford et al.
5,370,697	A	12/1994	Baumgartner	6,383,221	B1	5/2002	Scarborough et al.
5,397,364	A	3/1995	Kozak et al.	6,391,058	B1	5/2002	Kuslich et al.
5,423,855	A	6/1995	Marienne	6,395,031	B1	5/2002	Foley et al.
5,425,772	A	6/1995	Brantigan	6,402,785	B1	6/2002	Zdeblick et al.
5,443,514	A	8/1995	Steffee	6,409,765	B1	6/2002	Bianchi et al.
5,458,638	A	10/1995	Kuslich et al.	6,423,095	B1	7/2002	Van Hoeck et al.
5,484,437	A	1/1996	Michelson	6,468,311	B2	10/2002	Boyd et al.
5,489,307	A	2/1996	Kuslich et al.	6,471,724	B2	10/2002	Zdeblick et al.
5,507,813	A	4/1996	Dowd et al.	6,482,233	B1	11/2002	Aebi et al.
5,522,899	A	6/1996	Michelson	6,482,584	B1	11/2002	Mills et al.
5,534,031	A	7/1996	Matsuzaki et al.	6,485,517	B1	11/2002	Michelson
5,571,109	A	11/1996	Bertagnoli	6,511,509	B1	1/2003	Ford et al.
D377,527	S	1/1997	Michelson	6,530,955	B2	3/2003	Boyle et al.
5,593,409	A	1/1997	Michelson	6,554,863	B2	4/2003	Paul et al.
5,607,424	A	3/1997	Tropiano	6,562,072	B1	5/2003	Fuss et al.
5,609,635	A	3/1997	Michelson	6,572,654	B1	6/2003	Santilli
5,609,636	A	3/1997	Kohrs et al.	6,575,981	B1	6/2003	Boyd et al.
5,645,084	A	7/1997	McKay	6,629,998	B1	10/2003	Lin
5,645,598	A	7/1997	Brosnahan, III	6,635,086	B2	10/2003	Lin
5,658,337	A	8/1997	Kohrs et al.	6,666,890	B2	12/2003	Michelson
5,669,909	A	9/1997	Zdeblick et al.	6,706,067	B2*	3/2004	Shimp et al. 623/17.11
5,683,463	A	11/1997	Godefroy et al.	6,749,636	B2	6/2004	Michelson
5,702,449	A	12/1997	McKay	6,808,585	B2	10/2004	Boyce et al.
5,741,253	A	4/1998	Michelson	6,827,740	B1	12/2004	Michelson
5,766,252	A	6/1998	Henry et al.	6,855,168	B2	2/2005	Crozet
5,772,661	A	6/1998	Michelson	6,890,355	B2	5/2005	Michelson
5,776,199	A	7/1998	Michelson	6,923,810	B1	8/2005	Michelson
5,782,919	A	7/1998	Zdeblick et al.	6,984,245	B2	1/2006	McGahan et al.
D397,439	S	8/1998	Koros et al.	6,989,031	B2	1/2006	Michelson
5,800,547	A	9/1998	Schafer et al.	7,022,137	B2	4/2006	Michelson
5,800,550	A	9/1998	Sertich	7,048,762	B1*	5/2006	Sander et al. 623/17.11
5,814,084	A	9/1998	Grivas et al.	7,087,082	B2	8/2006	Paul et al.
5,846,484	A	12/1998	Scarborough et al.	7,115,146	B2	10/2006	Boyer
5,860,973	A	1/1999	Michelson	7,156,875	B2	1/2007	Michelson
5,861,041	A	1/1999	Tienboon	7,387,643	B2	6/2008	Michelson
5,865,845	A	2/1999	Thalgott	7,435,262	B2	10/2008	Michelson
5,888,222	A	3/1999	Coates et al.	7,455,692	B2*	11/2008	Michelson 623/17.11
5,888,226	A	3/1999	Rogozinski	7,462,195	B1*	12/2008	Michelson 623/17.11
5,888,227	A	3/1999	Cottle	7,479,160	B2*	1/2009	Branch et al. 623/17.11
5,899,939	A	5/1999	Boyce et al.	7,534,254	B1	5/2009	Michelson
5,904,719	A	5/1999	Errico et al.	7,534,265	B1	5/2009	Boyd et al.
5,906,635	A	5/1999	Maniglia	7,540,882	B2*	6/2009	Michelson 623/17.11
5,972,368	A	10/1999	McKay	7,611,536	B2	11/2009	Michelson
5,989,289	A	11/1999	Coates et al.	7,637,951	B2	12/2009	Michelson
6,033,438	A*	3/2000	Bianchi et al. 623/17.16	7,637,954	B2	12/2009	Michelson
6,034,295	A	3/2000	Rehberg et al.	2001/0010020	A1	7/2001	Michelson
6,037,519	A	3/2000	McKay	2001/0018614	A1	8/2001	Bianchi
6,039,762	A	3/2000	McKay	2001/0031254	A1	10/2001	Bianchi et al.
D425,989	S	5/2000	Michelson	2002/0091447	A1	7/2002	Shimp et al.
6,080,155	A	6/2000	Michelson	2002/0099444	A1	7/2002	Boyd et al.
6,083,228	A	7/2000	Michelson	2002/0107571	A1	8/2002	Foley
				2002/0116064	A1	8/2002	Middleton

2002/0116065	A1	8/2002	Jackson
2002/0193881	A1	12/2002	Shapiro et al.
2003/0028249	A1	2/2003	Baccellì et al.
2003/0083748	A1	5/2003	Lee et al.
2004/0064185	A1	4/2004	Michelson
2004/0210313	A1	10/2004	Michelson
2005/0216089	A1	9/2005	Michelson
2006/0235519	A1	10/2006	Michelson
2009/0105821	A1	4/2009	Michelson
2009/0270991	A1	10/2009	Michelson
2010/0145463	A1	6/2010	Michelson
2011/0208313	A1	8/2011	Michelson

FOREIGN PATENT DOCUMENTS

EP	0 077 159	4/1983
EP	0 179 695	4/1986
EP	0 260 044 A1	3/1988
EP	0 307 241	3/1989
EP	0 392 076 A1	3/1989
EP	0 577 179	1/1994
EP	0 599 419	6/1994
EP	0 627 204	12/1994
EP	0 637 440	11/1997
EP	0 834 295 A1	4/1998
FR	2 724 312	3/1993
FR	2 703 580	10/1994
FR	2 761 879 A1	10/1998
JP	57/029348	9/1982
JP	61-122859 A	6/1986
JP	62/155846	7/1987
JP	5-269160 A	10/1993
JP	8-266563	10/1996
WO	WO 92/14423 A1	9/1992
WO	WO 93/01771	2/1993
WO	WO 95/08306	3/1995
WO	WO 95/08964	4/1995
WO	WO 96/22747	8/1996
WO	WO 96/40020 A1	12/1996
WO	WO 97/23174 A1	7/1997
WO	WO 97/23175 A1	7/1997
WO	WO 98/44877 A1	10/1998
WO	WO 98/48738 A1	11/1998
WO	WO 98/55052 A1	12/1998
WO	WO 99/63891	12/1999
WO	WO 00/07527	2/2000
WO	WO 00/74608	12/2000
WO	WO 01/28465	4/2001
WO	WO 01/68005	4/2001
WO	WO 01/49220 A1	7/2001
WO	WO 01/62191	8/2001
WO	WO 01/68004	9/2001

OTHER PUBLICATIONS

DeBowes, R.M., et al.; Study of Bovine . . . Steel Baskets; Transactions of the 29th Annual Meeting; Orthopedic Research Society, vol. 8, p. 407; Mar. 8-10, 1983.

Otero-Vich, Jose M.; Anterior Cervical Interbody Fusion with Threaded Cylindrical Bone; *J. Neurosurg* 63:750-753; Nov. 1985.

Roman, M., et al.; Banked Bone grafting for Bone Defect Repair—Clinical Evaluation of Bone Union and Graft Incorporation; *J. Jpn. Orthop. Assoc.* 62:461-469; 1988.

Schmitz et al.; Performance of Alloplastic Materials and Design of an Artificial Disc; the Artificial Disc. Brock, Mayer, Weigel; pp. 23-34; 1991.

Laparoscopic Bone Dowel Surgical Technique; Brochure of Sofamor Danek; 1995.

Brochure of University of Florida Tissue Bank; MD-I and MD-II Custom Machine Cortical Dowels; *Circa* 1996.

Brochure of University of Florida Tissue Bank; MD-III Threaded Cortical Dowel; *Circa* 1996.

Zindrick, et al.; Lumbar Spine Fusion: Different Types and Indications; *The Lumbar Spine*, vol. 1, Second Edition, pp. 588-593; 1996.

Ray, C.D.; Spinal Interbody Fusions: A Review, Featuring New Generation Techniques; *Neurosurgery Quarterly*, 7(2):135-156; 1997.

A picture of a Medtronic, Sofamor Danek Display; titled "Evolving With Your Needs;" Apr. 2000.

RTI Precision Machined Allograft: The Surgeon's Choice, Brochure by Regeneration Technologies, Inc.; 2000.

Puros ALIF Bone Graft, Brochure by Sulzer Spine-Tech; 2001.

What's New at . . . Spine-Tech: Allograft and Thoracolumbar, Brochure Spine-Tech; *Circa* 2001.

New IBS Allograft, The C-TLIF Approach, Brochure of OrthoDevelopment; 2002.

Introducing graftech Allografts, Webpage by Osteotech; Jan. 2002.

RTI Tissue Services, Spinal Allograft, Webpage of Regeneration Technologies, Inc.; 2002.

Muschler, et al.; The Biology of Spinal Fusion; *Spinal Fusion Science and Technique*, Cotler and Cotler, pp. 9- 13; Dec. 1989.

Bagby, G.W.; Arthrodesis by the Distraction-Compression Method Using a Stainless Steel Implant; *Orthopedics*, vol. II, No. 6, pp. 931-934 (Jun. 1987).

Butts, M.K., et al.; "Biomechanical Analysis of a New Method for Spinal Interbody Fixation;" 1987 Symposium, American Society of Mechanical Engineers, "Advances in Bioengineering", Boston, MA; Dec. 13-18, 1987; 7 pages.

Crawley, Gregory R., et al.; "A Modified Cloward's Technique for Arthrodesis of the Normal Metacarpophalangeal Joint in the Horse;" *Veterinary Surgery*, vol. 17, No. 3; 1988; pp. 117-127.

European Opposition Document, Nov. 27, 1995—Opposing EP Patent No. 425 542 B1 Anterior Spinal Fusion Implant; 5 pages.

Glazer, P.A., et al.; Biomechanical Analysis of Multilevel Fixation Methods in the Lumbar Spine; *Spine*, vol. 22, No. 2, pp. 171-182 (1997).

International Search Report mailed Aug. 14, 2000 from corresponding International PCT Application No. PCT/US00/12363, filed May 5, 2000; 1 page.

International Search Report mailed on Aug. 15, 2001, of corresponding International Application No. PCT/US01/11723, filed Apr. 19, 2001; 3 pages.

Laparoscopic Bone Dowel Instruments; Brochure of Sofamor Danek; 1995; 2 pages.

Thieme; Fusion of the Lumbar Spine; "Anterior Monosegmental Fusion L5-S1;" *Atlas of Spinal Operations*; 1993; cover page and pp. 270-274.

U.S. Appl. No. 60/115,388, filed on Jan. 11, 1999; 80 pages.

U.S. Appl. No. 60/118,793, filed on Feb. 4, 1999; 41 pages.

White, et al.; Lumbar Spine Surgery, Techniques and Complications; History of Lumbar Spine Surgery; 1994; cover page and pp. 11-15, 27, 30, 35-45, 265-268.

* cited by examiner

FIG. 1
PRIOR ART

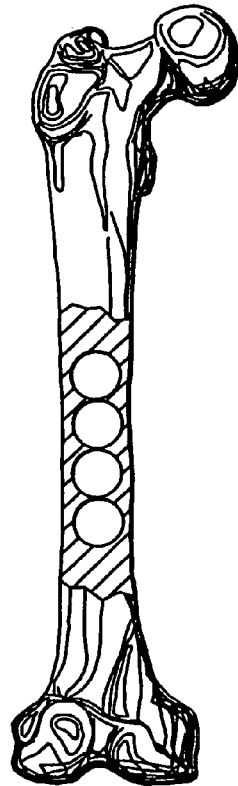


FIG. 2

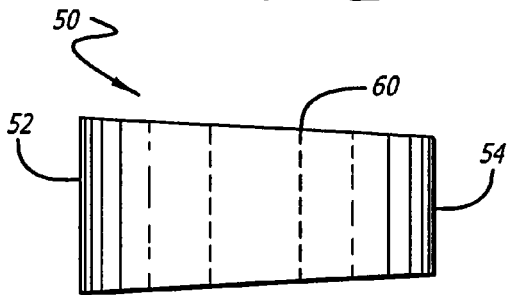
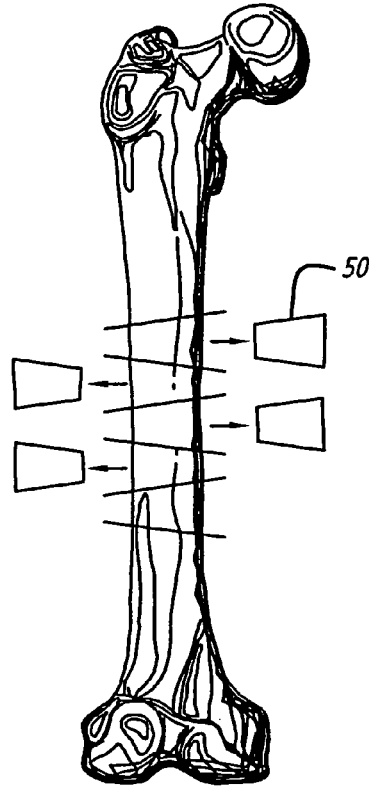


FIG. 3

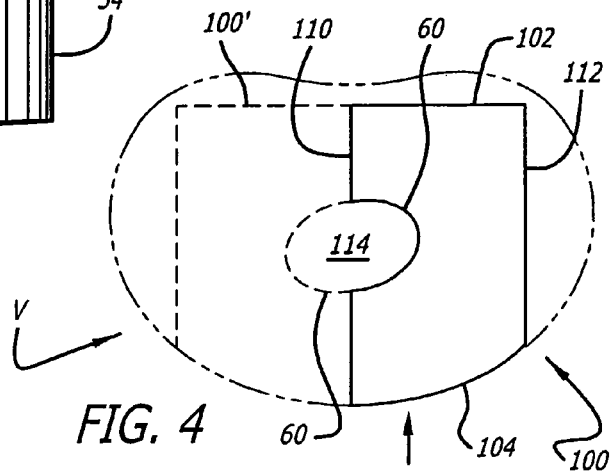


FIG. 4

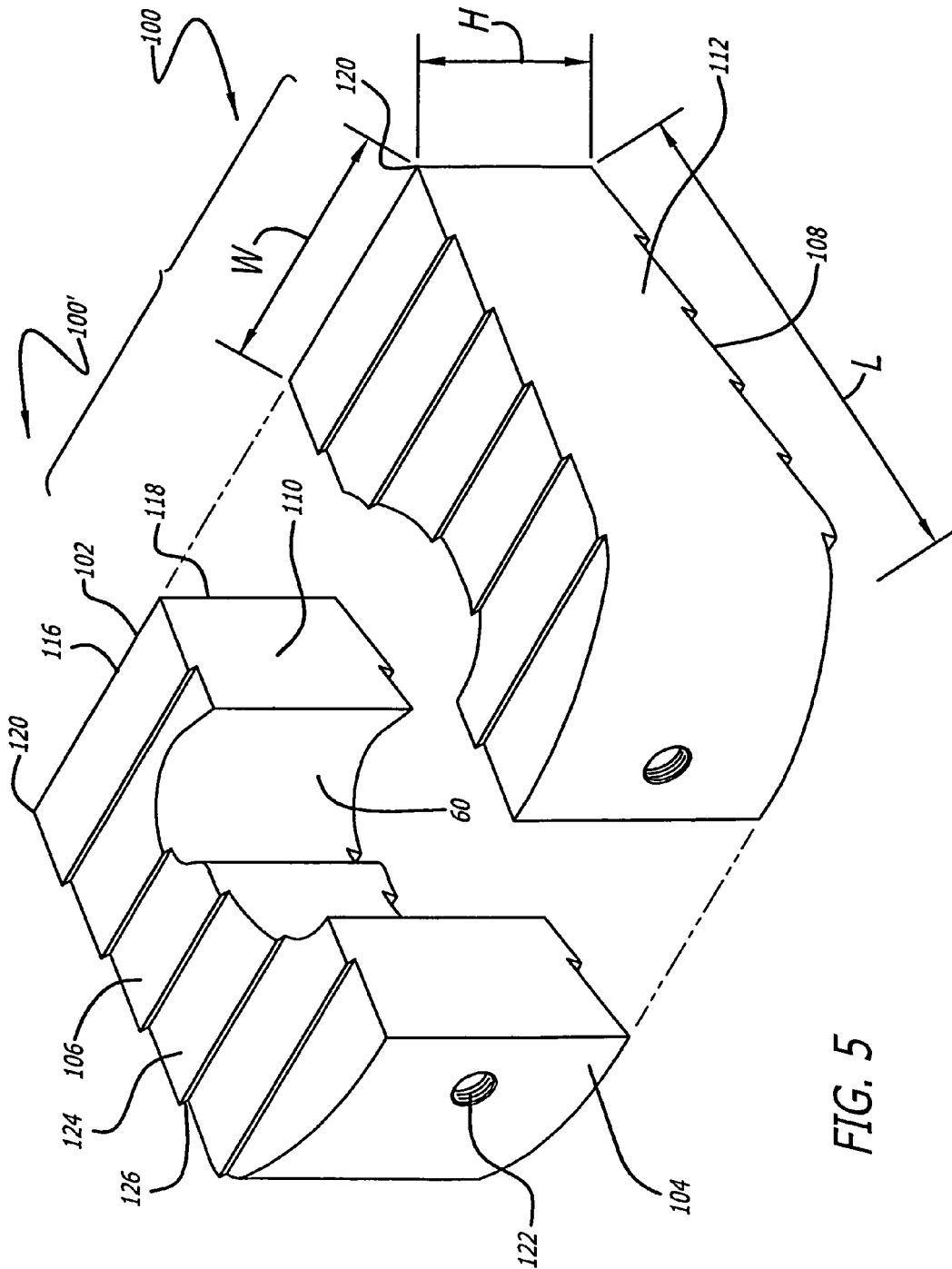
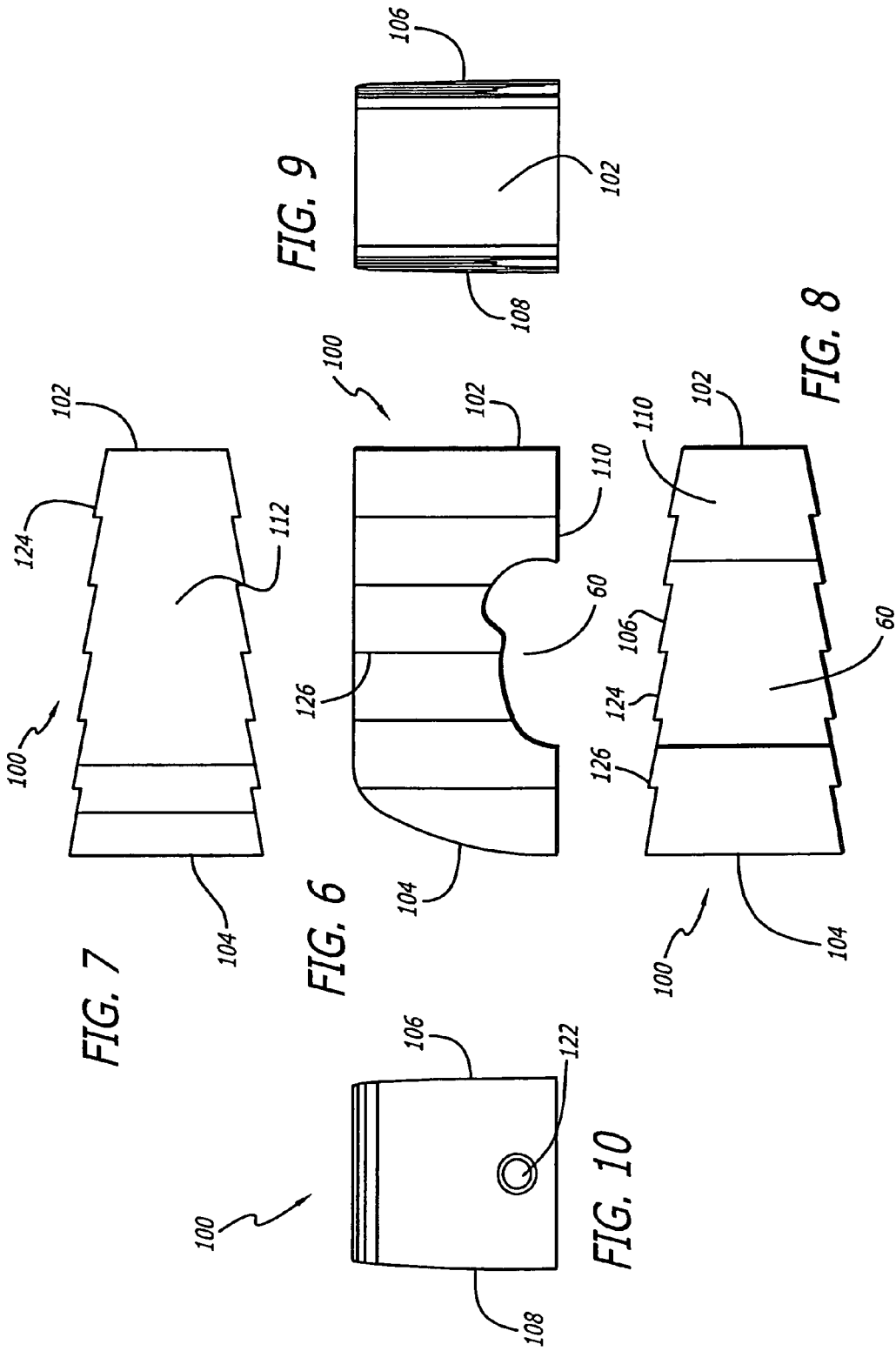
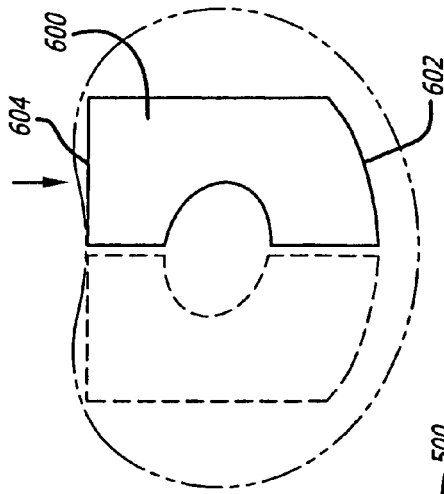
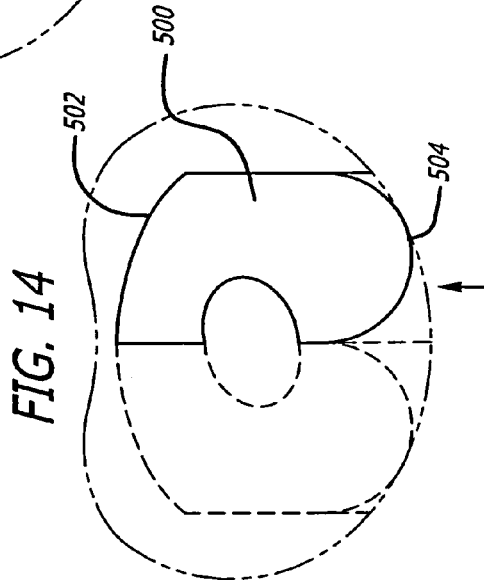
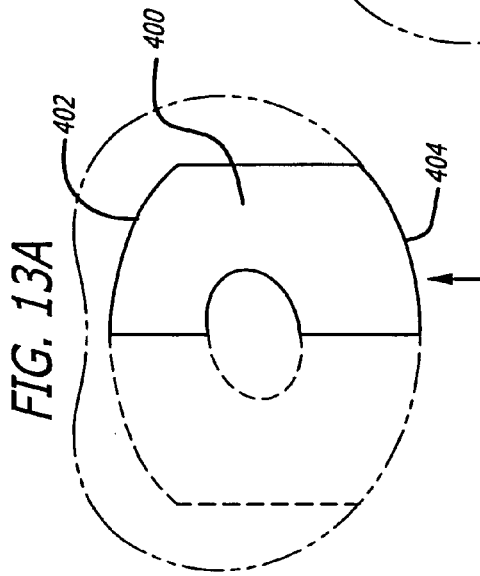
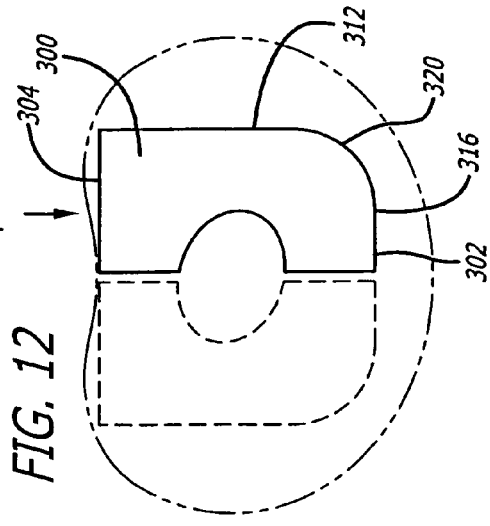
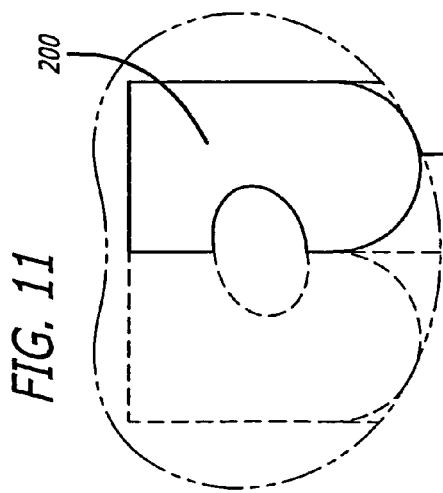


FIG. 5





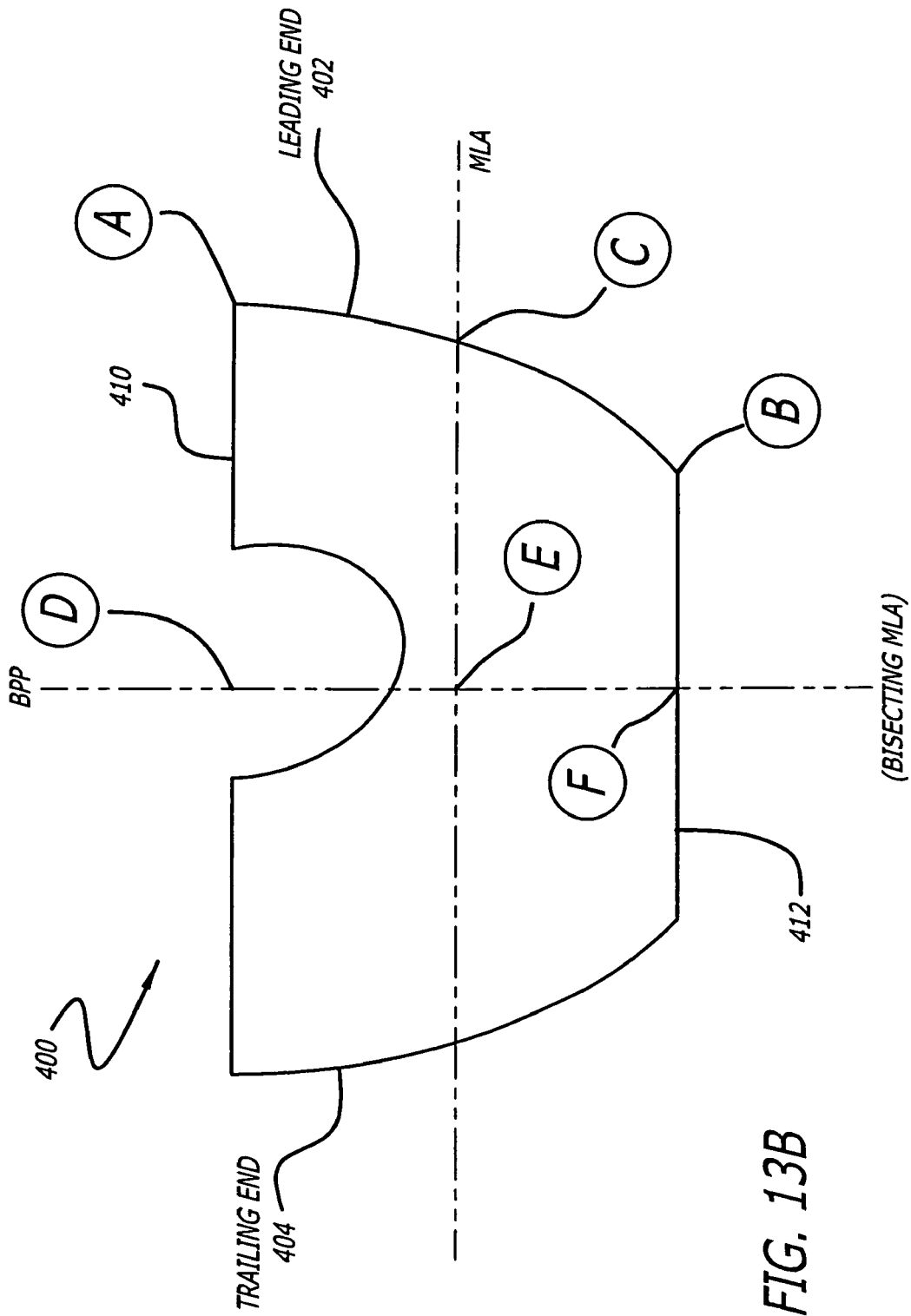
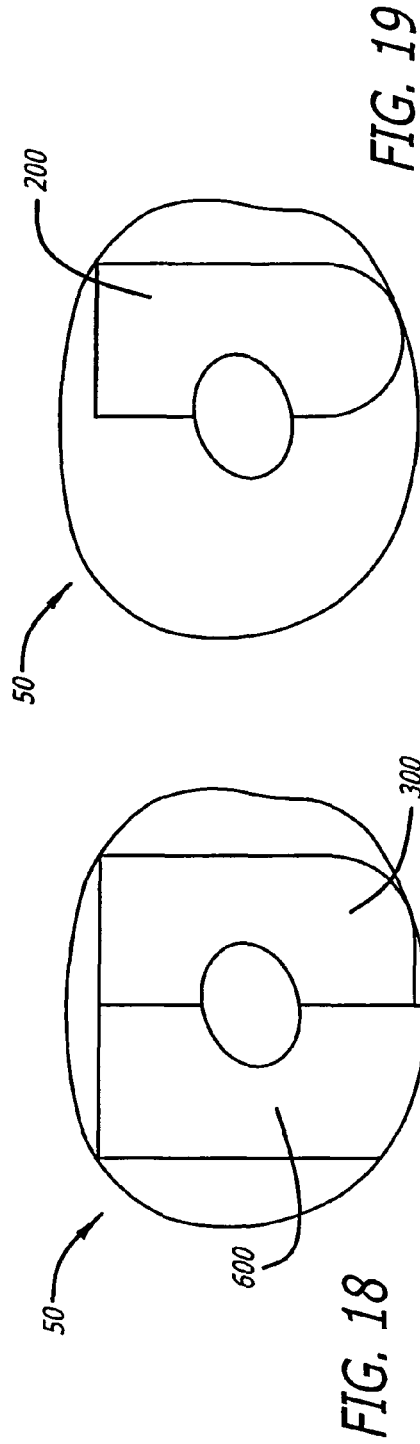
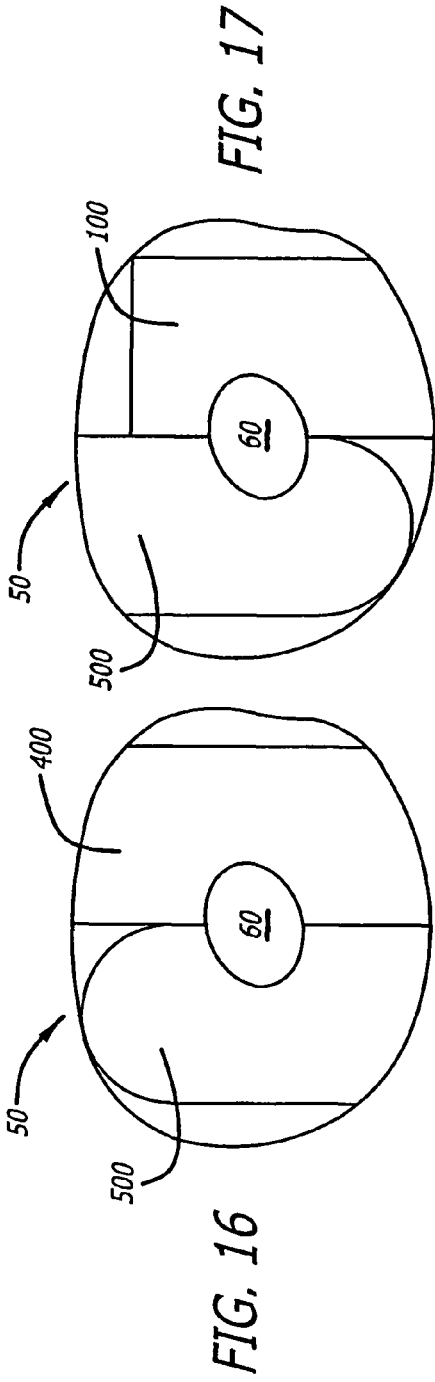


FIG. 13B



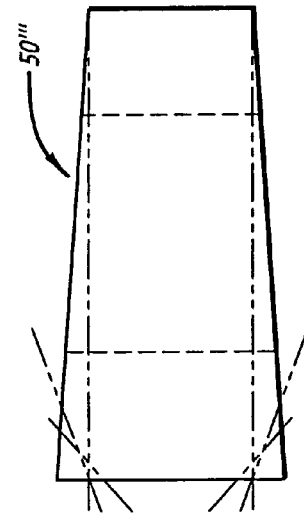
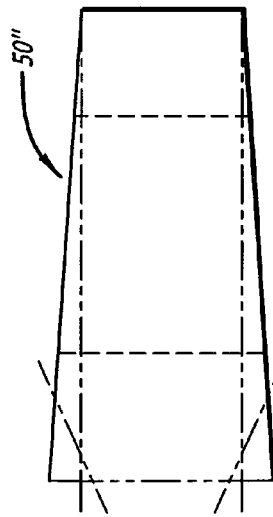
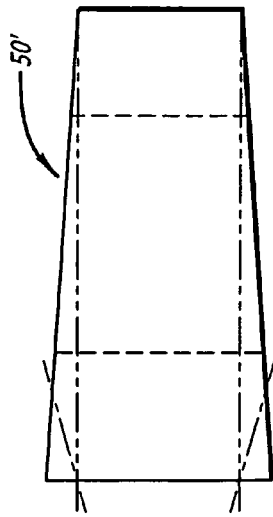
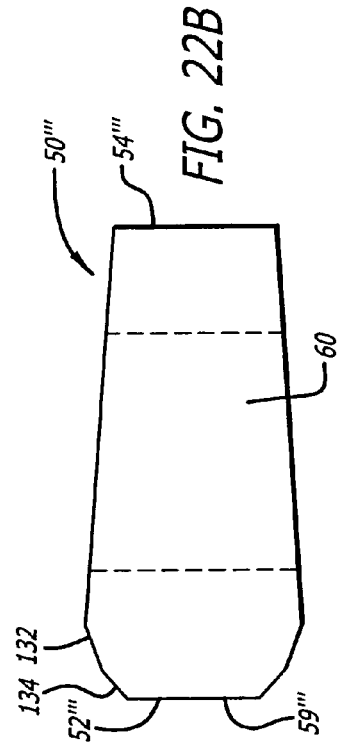
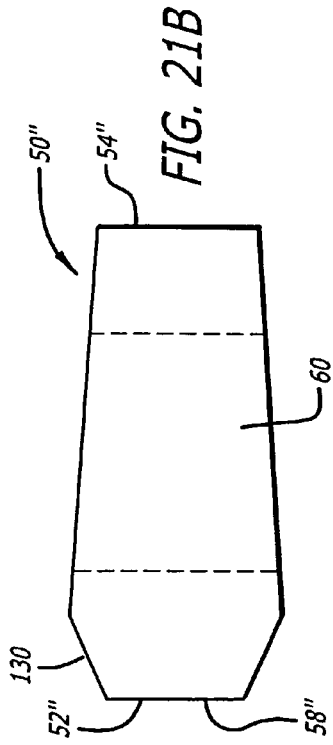
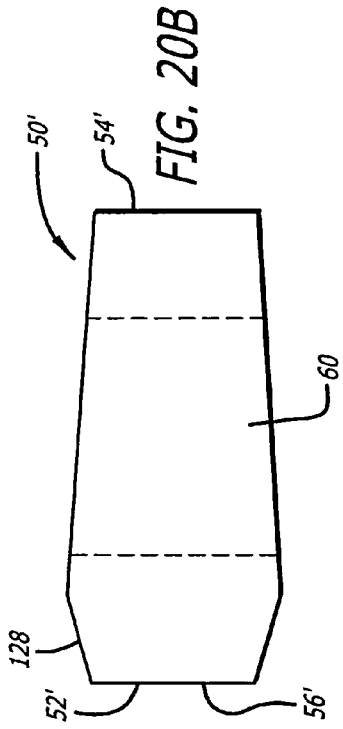


FIG. 20A

FIG. 21A

FIG. 22A

1

HEMI-INTERBODY SPINAL FUSION IMPLANTS MANUFACTURED FROM A MAJOR LONG BONE RING

RELATED APPLICATIONS

This application is a continuation of U.S. application Ser. No. 11/338,395, filed Jan. 24, 2006 now U.S. Pat. No. 7,611, 536; which is a continuation of U.S. application Ser. No. 10/112,745, filed Apr. 2, 2002 now U.S. Pat. No. 6,989,031; which claims the benefit of U.S. Provisional Application No. 60/281,187, filed Apr. 3, 2001, and U.S. Provisional Application No. 60/281,112, filed Apr. 2, 2001; all of which are incorporated by reference herein.

BACKGROUND

Description of the Related Art

The diaphysis is the shaft of a major long bone between the epiphyses, the ends of the bone forming the joints. Human cadaveric diaphyseal bone is used to form implants made of bone utilized in interbody spinal fusion surgery.

As show in FIG. 1, interbody spinal implants in the form of bone dowels can be formed by making circular cuts transverse to the long axis of the diaphysis. The circular cuts required to form cylindrical bone dowels create unusable portions of the diaphyseal bone and is not an efficient use of a precious and scarce resource.

As shown in FIG. 2, a diaphyseal ring is formed by making two spaced apart cuts approximately perpendicular to the long axis of the diaphyseal portion of a major long bone with the medullary canal forming an opening through the ring. Such rings are generally harvested from femurs for use in the lumbar spine. Other bones from the arm or leg or other part of the human skeleton may be useful in various regions of the spine.

The cuts are generally spaced apart so as to form a ring of bone having a height corresponding to the restored disc space or slightly greater. Diaphyseal ring bone grafts are placed into the spine within and across the height of the space previously occupied by a spinal disc between adjacent vertebral bodies to achieve interbody fusion of those vertebral bodies through the disc space. The diaphyseal ring bone graft is incorporated into the bony fusion over time.

Interbody spinal fusion with diaphyseal bone rings, however, has had limited success in the past. While all the causes for failure may not yet be appreciated, it is nevertheless believed that a failure to gain congruity at the interfaces of the bone ring implant to the adjacent vertebral bodies, and a failure to achieve stability of the bone ring implant, may be two of the more significant factors subject to the surgeon's control contributing to such failures. Moreover, bone rings are limited to insertion from an anterior approach to the spine and require a relatively large incision for insertion.

Interbody spinal implants that are entirely or almost entirely made of cortical bone or a bone composite material offer the advantages of that material including an appropriate modulus of elasticity and strength for the prescribed use, the capacity to be bioactive, including being osteoconductive, osteoinductive, osteogenic, and to more generally provide a good substrate for the formation of new bone as fusion occurs. Further, by being bioabsorbable the bone material is replaced by the patient's own bone over time, thereby preventing stress shielding and leading to the eventual elimination of any foreign body from the implantation site.

2

As it is desirable to take advantage of all these benefits, there exists a need for an improved interbody spinal fusion implant made of bone or a bone composite material having a configuration that provides for an improved congruity of the implant to the vertebral bodies and improved implant stability, that is adapted for insertion from either an at least in part anterior or posterior approach to the spine, and is adapted to be inserted through a relatively small incision.

SUMMARY OF THE INVENTION

In accordance with the purposes of the present invention, as embodied and broadly described herein, an interbody spinal fusion implant made of cortical bone is provided for insertion at least in part into an implantation space formed across the height of a disc space between adjacent vertebral bodies of a human spine. The implant includes a leading end for insertion first into the disc space, a trailing end opposite the leading end, and a length along a mid-longitudinal axis of the implant. The leading end has a generally straight portion from side to side. The implant also includes opposed upper and lower portions between the leading and trailing ends that are adapted to be placed within the disc space to contact and support the adjacent vertebral bodies. The upper and lower portions are non-arcuate along at least a portion of the length of the implant. The implant also includes an interior facing side, an exterior facing side opposite the interior side, and a maximum width therebetween. The maximum width of the implant is less than approximately one-half of the width of the adjacent vertebral bodies into which the implant is adapted to be inserted. The interior and exterior sides connect the upper and lower portions and the leading and trailing ends. The interior side forms a corner with the generally straight portion of the leading end. The interior side is adapted to be oriented toward an interior side of another implant when inserted within the disc space.

The implant is preferably manufactured from a bone ring obtained from a major long bone of a human having a medullary canal. The interior side of the implant includes at least a portion of the medullary canal so that when the implant is placed side by side another implant having an interior side with at least a portion of a medullary canal, a passage is formed. The passage is adapted to hold bone growth promoting material to permit for the growth of bone from vertebral body to vertebral body through the passage.

In another preferred embodiment, the implant is manufactured from a bone composite material. The interior side includes a recess so that when the implant is placed side by side another implant having an interior side including a recess, a passage is formed. The passage is adapted to hold bone growth promoting material to permit for the growth of bone from vertebral body to vertebral body through the implant.

In accordance with the purposes of another embodiment of the present invention, as embodied and broadly described herein, an interbody spinal fusion implant made of cortical bone is provided for insertion at least in part into an implantation space formed across the height of a disc space between adjacent vertebral bodies of a human spine. The implant has a leading end that is asymmetrical from side to side. The implant is manufactured from a bone ring obtained from a major long bone of a human and includes at least 40 percent of the bone ring from which it is being formed.

In accordance with the purposes of a further embodiment of the present invention, as embodied and broadly described herein, a pair of interbody spinal fusion implants manufactured from a bone composite material is provided for insertion

3

at least in part into an implantation space formed across the height of a disc space between adjacent vertebral bodies of a human spine. Each implant has a length that is greater than one half the depth of the vertebral bodies adjacent the disc space into which the implant is adapted to be inserted. Each implant has a leading end that is asymmetrical from side to side. Each implant has an interior facing side that includes a recess to form a passage when the implants are placed side by side with the interior sides facing each other. The combined width of the pair of implants is greater than one half the width of the adjacent vertebral bodies into which the implants are adapted to be inserted.

Additional objects and advantages of the invention will be set forth in part in the description which follows, and in part will be obvious from the description, or may be learned by practice of the invention. The objects and advantages of the invention will be realized and attained by means of the elements and combinations particularly pointed out in the appended claims.

BRIEF DESCRIPTION OF THE DRAWINGS

FIG. 1 is a side elevation view of a human long bone in partial cross section illustrating the harvesting of cylindrical dowels of diaphyseal bone.

FIG. 2 is a side elevation view of a human long bone illustrating the harvesting of diaphyseal bone rings in accordance with the present invention.

FIG. 3 is a side elevation view of a diaphyseal bone ring in accordance with a preferred embodiment of the present invention.

FIG. 4 is a top plan view of a preferred embodiment of a bone implant in accordance with the present invention and a second bone implant that is a mirror image thereof illustrated in dashed line, both implants being shown implanted from an anterior approach to the spine in a vertebral body illustrated in dashed line.

FIG. 5 is a rear perspective view of the implants of FIG. 4.

FIG. 6 is a top plan view of one of the implants of FIG. 5.

FIG. 7 is an exterior side elevation view of the implant of FIG. 6.

FIG. 8 is an interior side elevation view of the implant of FIG. 6.

FIG. 9 is a leading end view of the implant of FIG. 6.

FIG. 10 is a trailing end view of the implant of FIG. 6.

FIG. 11 is a top plan view of another preferred embodiment of a bone implant in accordance with the present invention and a second bone implant that is a mirror image thereof illustrated in dashed line, both implants being shown implanted from an anterior approach to the spine in a vertebral body illustrated in dashed line.

FIG. 12 is a top plan view of another preferred embodiment of a bone implant in accordance with the present invention and a second bone implant that is a mirror image thereof illustrated in dashed line, both implants being shown implanted from a posterior approach to the spine in a vertebral body illustrated in dashed line.

FIG. 13A is a top plan view of another preferred embodiment of a bone implant in accordance with the present invention and a second bone implant that is a mirror image thereof illustrated in dashed line, both implants being shown implanted from an anterior approach to the spine in a vertebral body illustrated in dashed line.

FIG. 13B is a top plan view of the implant of FIG. 13A illustrating the mid-longitudinal axis and a plane bisecting the mid-longitudinal axis along the length of the implant.

4

FIG. 14 is a top plan view of another preferred embodiment of a bone implant in accordance with the present invention and a second bone implant that is a mirror image thereof illustrated in dashed line, both implants being shown implanted from an anterior approach to the spine in a vertebral body illustrated in dashed line.

FIG. 15 is a top plan view of another preferred embodiment of a bone implant in accordance with the present invention and a second bone implant that is a mirror image thereof illustrated in dashed line, both implants being shown implanted from a posterior approach to the spine in a vertebral body illustrated in dashed line.

FIG. 16 is a top plan view of a section of diaphyseal bone ring cut across the longitudinal axis of a long bone illustrating the shapes of two implants that can be formed therefrom in accordance with a preferred embodiment of the present invention.

FIG. 17 is a top plan view of a section of diaphyseal bone ring cut across the longitudinal axis of a long bone illustrating the shapes of two implants that can be formed therefrom in accordance with another preferred embodiment of the present invention.

FIG. 18 is a top plan view of a section of diaphyseal bone ring cut across the longitudinal axis of a long bone illustrating the shapes of two implants that can be formed therefrom in accordance with another preferred embodiment of the present invention.

FIG. 19 is a top plan view of a section of diaphyseal bone ring cut across the longitudinal axis of a long bone illustrating the shape of an implant that can be formed therefrom in accordance with another preferred embodiment of the present invention.

FIG. 20A is a side elevation view of a section of diaphyseal bone cut across the longitudinal axis of a long bone illustrating a method of forming a shape of an implant in accordance with a preferred embodiment of the present invention.

FIG. 20B is a side elevation view of an implant in accordance with a preferred embodiment of the present invention formed by the method of FIG. 20A.

FIG. 21A is a side elevation view of a section of diaphyseal bone cut across the longitudinal axis of a long bone illustrating a method of forming a shape of an implant in accordance with another preferred embodiment of the present invention.

FIG. 21B is a side elevation view of an implant in accordance with another preferred embodiment of the present invention formed by the method of FIG. 21A.

FIG. 22A is a side elevation view of a section of diaphyseal bone cut across the longitudinal axis of a long bone illustrating a method of forming a shape of an implant in accordance with another preferred embodiment of the present invention.

FIG. 22B is a side elevation view of an implant in accordance with another preferred embodiment of the present invention formed by the method of FIG. 22A.

DETAILED DESCRIPTION OF THE DRAWINGS

The following description is intended to be representative only and not limiting and many variations can be anticipated according to these teachings, which are included within the scope of this inventive teaching. Reference will now be made in detail to the preferred embodiments of this invention, examples of which are illustrated in the accompanying drawings. Wherever possible, the same reference numbers will be used throughout the drawings to refer to the same or like parts.

FIGS. 2 and 3 show a preferred method for obtaining a diaphyseal bone ring 50 from a major long bone used to form certain of the implants of the present invention. Bone ring 50

5

is formed by making two spaced apart cuts approximately perpendicular to the long axis of the diaphyseal portion of a major long bone with a portion of the medullary canal forming an opening through the ring. Such rings are generally harvested from femurs for use in the lumbar spine. Other bones from the arm or leg or other part of the human skeleton may be useful in various regions of the spine. The cuts may be made into the long bone generally perpendicular to or at other angles transverse to the long axis of the diaphyseal bone to form bone ring **50** having upper and lower surfaces. Making the cuts at an angle to each other creates a bone ring with upper and lower surfaces that are angled relative to each other. The angular relationship of the upper and lower surface of the bone ring, when subsequently formed into an implant and implanted into the spine, positions the adjacent vertebral bodies in angular relationship to each other to restore the natural curvature of the spine, such as lordosis for example.

As shown in FIG. **3**, bone ring **50** has an end **52** with a height that is greater than the height at an end **54**. Bone ring **50** also has a medullary canal **60** therethrough, shown in outline.

Where it is desired to form two implants from a bone ring, bone ring **50** may be cut into two parts, each part including at least a portion of the medullary canal. Thereafter, the parts are machined to form a desired shape suitable for their intended use as an interbody spinal implant. Examples of tools which may be used to machine the implant include, but are not limited to, burrs, reamers, mills, saws, trephines, chisels, and the like. Each part of the bone may be machined to form an implant having a leading end. For example only, the leading end may be shaped to be asymmetrical from side to side and/or may have a straight portion from side to side at the leading end. The interior side includes at least a portion of the medullary canal and may be machined to be at least in part straight. The exterior side also may be machined to have a straight portion. The trailing end of each part may be machined to any desired shape suitable for the intended purpose and may be shaped to conform to the anatomical contour of the adjacent vertebral bodies between which the implant is adapted to be inserted. Where it is appropriate, it may be desirable to preserve at least a portion of the natural curvature of the perimeter of the bone ring as part of the configuration of the implant shape.

FIGS. **4-10** show an implant **100** in accordance with a preferred embodiment of the present invention adapted for use from an anterior approach to the spine. Implant **100** has a leading end **102** for insertion first into the disc space between two adjacent vertebral bodies and a trailing end **104** opposite leading end **102**. Implant **100** has an upper portion **106**, a lower portion **108**, an interior side **110**, and an exterior facing side **112** opposite interior facing side **110**. As used herein, the phrase "interior side" describes the side of the implant adapted to be orientated toward the interior side of another implant when a pair of implants are inserted side by side into the disc space. Interior side **110** includes at least a portion of the medullary canal of the bone ring.

FIG. **4** shows a top plan view of a vertebral body **V** and implants **100** and **100'**, respectively, inserted from an anterior approach to the spine. Implant **100'** is preferably, but need not be, a mirror image of implant **100**. The description of implant **100** is equally applicable to implant **100'**. Implant **100** is placed side by side with implant **100'** so that the portions of the medullary canal of interior sides **110** of each implant are positioned adjacent one another to form a passage **114** therethrough. Preferably passage **114** is adapted to hold bone growth promoting material to permit for the growth of bone from vertebral body to vertebral body through passage **114**. Preferably, the combined width of both implants is greater

6

than one-half the width of the adjacent vertebral bodies into which the implants are adapted to be inserted.

In a preferred embodiment of the present invention, leading end **102** and opposed sides **110**, **112** are machined to have various configurations. Leading end **102** can be machined to have a generally planar configuration across at least a portion of its width from side to side. For example, leading end **102** is preferably machined to have a generally straight portion **116** from side to side that is preferably oriented at approximately 90° to the mid-longitudinal axis of the implant. Where the implantation space is prepared into the vertebral bodies to have a lip or ridge that is at least in part flat, straight portion **116** may be adapted to abut that portion of the implantation space. Interior side **110** is preferably machined to form a corner **118** with generally straight portion **116** of leading end **102**. Exterior side **112** may be machined to form a corner **120** with generally straight portion **116** of leading end **102** or implant **100** may be machined to have a curved transition from straight portion **116** of leading end **102** to exterior side **112**. In a preferred embodiment, corners **118**, **120** can be machined so either or both of sides **110**, **112** are at a 90° angle to straight portion **116** of leading end **102** to produce at least in part straight portions outwardly facing and at least in part generally parallel to each other, that can be aligned or offset from each other along sides **110**, **112**. One or both of sides **110**, **112** may also be formed to be at least in part oriented generally parallel to the mid-longitudinal axis of implant **100**. Forming the implant to have a leading end with a straight portion and an interior facing side with a straight portion permits the implant to be placed in proximity to another implant to achieve a better fill of the implantation space. Further, leading end **102** may be tapered to facilitate insertion of implant **100** between the two adjacent vertebral bodies.

An example of an implantation space adapted to receive at least a portion of implant **100** may be preferably formed with the apparatus and method described by Michelson in U.S. Pat. Nos. 6,159,214 and 6,224,607, the disclosures of which are incorporated herein by reference. The instruments and method are not the subject matter of this application. It is understood that the preparation of the implantation space shown therein are a preferred instrument and method of preparing the implantation spaces and that any method and instrumentation suitable for the purpose may be utilized to prepare the desired implantation space.

In a preferred embodiment of implant **100**, trailing end **104** preferably has an asymmetrical curvature from side to side, at least a portion of which is preferably adapted to conform to at least a portion of the peripheral contour of the anterior aspect of the vertebral bodies adjacent the disc space into which the implant is inserted.

FIGS. **5** and **10** show that implant **100** preferably has a driver opening **122** at trailing end **104** for cooperatively engaging an instrument for installing implant **100** into the implantation space. Driver opening **122** is preferably configured for threaded engagement with an insertion instrument.

FIGS. **5**, **7**, and **8** show at least a portion of upper and lower surfaces **106**, **108** in an angular relationship to each other from trailing end **104** to leading end **102** for allowing for angulation of the adjacent vertebral bodies relative to each other. Preferably, upper and lower surfaces **106**, **108** are non-arcuate in a direction along the longitudinal axis of implant **100**. In addition to passage **114**, upper and lower surfaces **106**, **108** may include at least one opening in communication with one another to permit for the growth of bone from vertebral body to vertebral body through implant **100**, though the invention is not so limited. Upper and lower surfaces **106**, **108** may also be porous and may include a bone ingrowth surface.

As shown in FIGS. 5-8, the implants described herein may include a bone-engaging surface 124. Bone engaging surface 124 preferably has forward facing ratchets 126 facing leading end 102 of implant 100. Forward facing ratchets 126 resist motion of implant 100 in a direction opposite to the direction of insertion. Other preferred embodiments of bone-engaging surfaces may include the surfaces of the implant being roughened, knurled, splined, or may include at least one protrusion to penetrably engage the bone of the vertebral bodies. By way of example only, the implants of the present invention may include the surface configuration taught by Michelson in U.S. patent application Ser. No. 09/457,228, entitled "Spinal Implant Surface Configuration," the disclosure of which is incorporated by reference herein.

Implant 100 is preferably manufactured from a bone ring 50 and includes approximately 40 percent or more of the bone ring from which it is formed. Implant 100 preferably has a length L greater than one-half the depth of the vertebral bodies adjacent the disc space into which the implant is adapted to be inserted as measured between the anterior and posterior aspects of the vertebral bodies. Implant 100 also preferably has a maximum width W that is less than approximately one-half the width of the adjacent vertebral bodies into which the implant is adapted to be inserted.

For any of the embodiments of the implants of the present invention, instead of being machined from a single bone portion such as bone ring 50, the implant can be manufactured from a composite bone material which may include at least one of cortical bone fibers, bone filaments, bone particles, or bone dust, and a material which may or may not be bioactive and/or bioresorbable such as a plastic, ceramic, for example. By way of example only and not limitation, bioresorbable materials may include polygalactone. Once formed, the composite implant material may be machined or molded, into the desired shape.

FIG. 11 shows an implant 200 in accordance with another preferred embodiment of the present invention adapted for use from an anterior approach to the spine. Implant 200 is similar to implant 100, except that it has a trailing end 204 that is curved from side to side. For example, trailing end 204 may be configured in the shape of a half circle from side to side or may be an arc of a circle. Such a configuration of trailing end does not significantly protrude from the disc space between the vertebral bodies and interfere with any delicate neurostructures or vessels that may be present adjacent thereto.

FIG. 12 shows an implant 300 in accordance with another preferred embodiment of the present invention adapted for use from a posterior approach to the spine. Implant 300 is similar to implant 100 and has a curved transition from straight portion 316 of leading end 302 to exterior side 312 to form a rounded portion 320. Trailing end 304 is at least in part straight and can form a corner with exterior side 312. Trailing end 304 may have other configurations suitable for its intended purpose.

FIGS. 13A and 13B show an implant 400 in accordance with another preferred embodiment of the present invention adapted for use from an anterior approach to the spine. Implant 400 has a leading end 402 that is asymmetrical from side to side. An example of an implant having an asymmetric leading end is disclosed by Michelson in U.S. Pat. No. 6,350,282, incorporated by reference herein.

As illustrated in FIG. 13B, implant 400 has a mid-longitudinal axis MLA along its length. Mid-longitudinal axis MLA is shown bisected by a plane BPP perpendicular to and bisecting the length of implant 400 along the mid-longitudinal axis MLA. Implant 400 has a first distance as measured from point C at leading end 402 to plane BPP at point E that is greater

than a second distance as measured from plane BPP at point F to the junction of leading end 402 and exterior side 412 at point B. Implant 400 has a third distance as measured from point A at the junction of leading end 402 and interior side 410 to plane BPP at point D that is greater than the second distance as measured from at point F to point B. While in the preferred embodiment as shown in FIG. 13B, the third distance from points A to D is illustrated as being longer than the first distance from points C to E, the third distance can be equal to or less than the first distance. In a preferred embodiment, the first distance measured from points C to E is greater than the second distance measured from points B to F; the third distance measured from points A to D can be less than the first distance measured from points C to E; and the third distance measured from points A to D does not equal the second distance measured from points B to F. Implant 400 preferably has a trailing end 404 that is asymmetrical from side to side. Trailing end 404 may have other configurations suitable for its intended purpose.

FIG. 14 shows an implant 500 in accordance with another preferred embodiment of the present invention adapted for use from an anterior approach to the spine. Implant 500 is similar to implant 400, except that it has a trailing end 504 that is symmetrical side to side. For example, trailing end 504 may be configured in the shape of a half circle from side to side or may be an arc of a circle.

FIG. 15 shows an implant 600 in accordance with another preferred embodiment of the present invention adapted for use from a posterior approach to the spine. Implant 600 is similar to implant 400 except that trailing end 604 is at least in part straight.

FIGS. 16-19 each show a top plan view of a section of diaphyseal bone ring 50 cut across the longitudinal axis of the long bone shown in FIG. 2 illustrating various shapes of implants that can be formed therefrom. FIG. 16 shows bone ring 50 being capable of being machined into implants 400 and 500 described above. FIG. 17 shows bone ring 50 being capable of being machined into implants 100 and 500 described above. FIG. 18 shows bone ring 50 being capable of being machined into implants 300 and 600. At least a portion of the medullary canal is preferably included in the interior sides of the implants formed from the bone rings. When possible and where it is desired, at least a portion of the natural curvature of the bone ring is preserved and included in the shape of the implants formed.

While it is preferred to form two implants from each bone ring 50, the present invention is not so limited. For example, FIG. 19 shows bone ring 50 being capable of being machined into a single implant, such as implant 200. It is appreciated that other configuration of implants may be formed in addition to those shown herein without departing from the scope of the present invention.

FIGS. 20A-22B show side elevation views of the diaphyseal bone ring with different configurations of a chamfered tapered end adapted to facilitate the insertion of an implant having a height greater at its a leading end than at its trailing end from the posterior approach to the spine. FIGS. 20A and 20B show bone ring 50' in accordance with a preferred embodiment of the present invention having a chamfer 128 at end 52' that is configured to provide a portion 56' of end 52' having a reduced height that is generally equal to the height of end 54'. The reduced height facilitates introduction into the disc space.

FIGS. 21A and 21B show bone ring 50'' in accordance with another preferred embodiment of the present invention. Bone ring 50'' is similar to bone ring 50', except that end 52'' has a chamfer 130 that is cut at a steeper angle than chamfer 128 to

provide a portion 58" of end 52" that has a height that is generally less than the height of end 54".

FIGS. 22A and 22B show bone ring 50" in accordance with another preferred embodiment of the present invention. Bone ring 50" is similar to bone ring 50", except that end 52" is created by making two cuts at different angles to a mid-longitudinal axis between ends 52" and 54". A first cut is made to form a first chamfer 132 and a second cut is made to form second chamfer 134. A portion 59" of end 52" is formed having a height that is generally less than the height of end 54".

In any of the embodiments of the present invention, the implant may include, be made of, treated, coated, filled, used in combination with, or have a hollow or medullary canal for containing artificial or naturally occurring materials and/or substances suitable for implantation in the human spine. These materials and/or substances include any source of osteogenesis, bone growth promoting materials, bone, bone derived substances or products, demineralized bone matrix, mineralizing proteins, ossifying proteins, bone morphogenetic proteins, hydroxyapatite, genes coding for the production of bone, and bone including, but not limited to, cortical bone. The implant can include at least in part of materials that are bioabsorbable and/or resorbable in the body such as bone and/or bone growth promoting materials. The implant of the present invention can be formed of a porous material or can be formed of a material that intrinsically participates in the growth of bone from one of adjacent vertebral bodies to the other of adjacent vertebral bodies. Where such implants are for posterior implantation, the trailing ends of such implants may be treated with, coated with, or used in combination with chemical substances to inhibit scar tissue formation in the spinal canal. The implant of the present invention may be modified, or used in combination with materials to make it antibacterial, such as, but not limited to, electroplating or plasma spraying with silver ions or other substance. At least a portion of the implant may be treated to promote bone ingrowth between the implant and the adjacent vertebral bodies. The implant of the present invention may be used in combination with a spinal fixation implant such as any object, regardless of material, that can be inserted into any portion of the spine, such as but not limited to interbody spinal implants, structural bone grafts, mesh, cages, spacers, staples, bone screws, plates, rods, tethers of synthetic cords or wires, or other spinal fixation hardware

Although various embodiments of the present invention have been disclosed, they are but preferred embodiments for the purpose of illustration by example and not limitation. It should be understood that any modifications of these teachings as would be known to one of ordinary skill in the art are anticipated and within the scope of the present inventive teachings.

What is claimed is:

1. An interbody spinal implant made of cortical bone for insertion at least in part into an implantation space formed across the height of a disc space between adjacent vertebral bodies of a human spine, the vertebral bodies having an anterior aspect and a posterior aspect, said implant comprising:

a leading end for insertion first into the disc space, a trailing end opposite said leading end, said implant having a length along a mid-longitudinal axis of said implant from said leading end to said trailing end;

opposed upper and lower portions between said leading and trailing ends adapted to be placed at least in part within and across the height of the disc space to contact and support the adjacent vertebral bodies, said upper and

lower portions being non-arcuate along at least a portion of the length of said implant; and

an interior facing side, an exterior facing side opposite said interior side, and a maximum width therebetween, said maximum width of said implant being less than approximately one-half of the width of the adjacent vertebral bodies into which said implant is adapted to be inserted, said interior and exterior sides connecting said upper and lower portions and said leading and trailing ends, said leading end having a generally straight portion from side to side, the mid-longitudinal axis of said implant intersecting at a mid-point a plane perpendicular to the mid-longitudinal axis and bisecting the length of said implant into two equal parts, at least a portion of each of said upper and lower portions being on the mid-longitudinal axis closer to the mid-point than to either of said leading and trailing ends, said trailing end being curved to form approximately one quarter of a circle from one of said opposite sides to another one of said opposite sides, said trailing end having an opening configured to cooperatively engage an instrument adapted to install said implant into the implantation space, said interior side and said exterior side each having a generally straight portion parallel to the mid-longitudinal axis of said implant and forming a corner with said generally straight portion of said leading end, said interior side adapted to be oriented toward an interior side of another implant when inserted within the disc space;

said implant being manufactured from a bone ring obtained from a major long bone of a human having a medullary canal, said interior side of said implant including at least a portion of the medullary canal so that when said implant is placed side by side with another implant having an interior side including at least a portion of a medullary canal, a passage is formed adapted to hold bone growth promoting material for permitting for the growth of bone from vertebral body to vertebral body through said passage.

2. The implant of claim 1, wherein said trailing end is asymmetrical side to side.

3. The implant of claim 1, wherein said interior and exterior sides are at least in part generally parallel one another.

4. The implant of claim 1, wherein at least a portion of said upper and lower surfaces are in an angular relationship to each other from trailing end to leading end for allowing angulation of the adjacent vertebral bodies relative to each other.

5. The implant of claim 1, wherein said upper and lower surfaces include at least one opening in communication with one another to permit for the growth of bone from vertebral body to vertebral body through said implant.

6. The implant of claim 1, further comprising a bone engaging surface formed on the exterior of at least said upper and lower portions for engaging the adjacent vertebral bodies, said bone engaging surface including at least one of a protrusion, a ratchet, a spike, a spline, surface roughenings, and knurling.

7. The implant of claim 1, in combination with a bone growth promoting material.

8. The implant of claim 7, wherein said bone growth promoting material is selected from one of bone, bone derived products, demineralized bone matrix, mineralizing proteins, ossifying proteins, bone morphogenetic protein, hydroxyapatite, and genes coding for the production of bone.

9. An interbody spinal implant made of bone composite material for insertion at least in part into an implantation space formed across the height of a disc space between adja-

11

cent vertebral bodies of a human spine, the vertebral bodies having an anterior aspect and a posterior aspect, said implant comprising:

a leading end for insertion first into the disc space, a trailing end opposite said leading end, said implant having a length along a mid-longitudinal axis of said implant from said leading end to said trailing end;

opposed upper and lower portions between said leading and trailing ends adapted to be placed within the disc space to contact and support the adjacent vertebral bodies, said upper and lower portions being non-arcuate along at least a portion of the length of said implant; and an interior side, an exterior side opposite said interior side, and a maximum width therebetween, said maximum width of said implant being less than approximately one-half of the width of the adjacent vertebral bodies into which said implant is adapted to be inserted, said interior and exterior sides connecting said upper and lower portions and said leading and trailing ends, said leading end having a generally straight portion from side to side, the mid-longitudinal axis of said implant intersecting at a mid-point a plane perpendicular to the mid-longitudinal axis and bisecting the length of said implant into two equal parts, at least a portion of each of said upper and lower portions being on the mid-longitudinal axis closer to the mid-point than to either of said leading and trailing ends, said trailing end being curved to form approximately one quarter of a circle from one of said opposite sides to another one of said opposite sides, said trailing end having an opening configured to cooperatively engage an instrument adapted to install said implant into the implantation space, said interior side and said exterior side each having a generally straight portion parallel to the mid-longitudinal axis of said implant and forming a corner with said generally straight portion of said leading end, said interior side adapted to be oriented toward an interior side of another implant when inserted within the disc space;

12

said implant being manufactured from a bone composite material, said interior side of said implant including a recess so that when said implant is placed side by side with another implant having an interior side including a recess, a passage is formed adapted to hold bone growth promoting material for permitting for the growth of bone from vertebral body to vertebral body through said passage.

10 **10.** The implant of claim 9, wherein said bone composite material includes at least one of cortical bone fibers, bone filaments, bone particles and bone dust.

11. The implant of claim 9, wherein said trailing end is asymmetrical side to side.

12. The implant of claim 9, wherein said interior and exterior sides are at least in part generally parallel one another.

15 **13.** The implant of claim 9, wherein at least a portion of said upper and lower surfaces are in an angular relationship to each other from trailing end to leading end for allowing angulation of the adjacent vertebral bodies relative to each other.

20 **14.** The implant of claim 9 wherein said upper and lower surfaces include at least one opening in communication with one another to permit for the growth of bone from vertebral body to vertebral body through said implant.

25 **15.** The implant of claim 9, further comprising a bone engaging surface formed on the exterior of at least said upper and lower portions for engaging the adjacent vertebral bodies, said bone engaging surface including at least one of a protrusion, a ratchet, a spike, a spline, surface roughenings, and knurling.

30 **16.** The implant of claim 9, in combination with a bone growth promoting material.

35 **17.** The implant of claim 16, wherein said bone growth promoting material is selected from one of bone, bone derived products, demineralized bone matrix, mineralizing proteins, ossifying proteins, bone morphogenetic protein, hydroxyapatite, and genes coding for the production of bone.

18. The implant of claim 9, wherein said implant is at least in part resorbable.

* * * * *

UNITED STATES PATENT AND TRADEMARK OFFICE
CERTIFICATE OF CORRECTION

PATENT NO. : 8,137,403 B2
APPLICATION NO. : 12/587196
DATED : March 20, 2012
INVENTOR(S) : Gary K. Michelson

Page 1 of 1

It is certified that error appears in the above-identified patent and that said Letters Patent is hereby corrected as shown below:

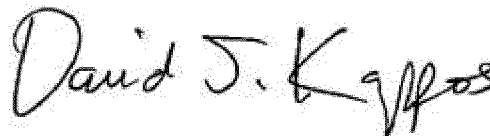
Title Page 3, (56) Other Publications, Column 1:

Line 57: change "Roman" to --Itoman--.

Column 11:

Line 29: change "to' another" to --to another--.

Signed and Sealed this
Fourteenth Day of August, 2012

A handwritten signature in black ink that reads "David J. Kappos". The signature is written in a cursive style with a large initial "D" and "K".

David J. Kappos
Director of the United States Patent and Trademark Office