



US008262736B2

(12) **United States Patent**
Michelson

(10) **Patent No.:** **US 8,262,736 B2**
(45) **Date of Patent:** ***Sep. 11, 2012**

(54) **RADIALLY EXPANDING IMPLANTS**

(75) Inventor: **Gary K. Michelson**, Venice, CA (US)

(73) Assignee: **Warsaw Orthopedic, Inc.**, Warsaw, IN (US)

(*) Notice: Subject to any disclaimer, the term of this patent is extended or adjusted under 35 U.S.C. 154(b) by 2048 days.

This patent is subject to a terminal disclaimer.

(21) Appl. No.: **11/268,168**

(22) Filed: **Nov. 7, 2005**

(65) **Prior Publication Data**

US 2006/0058878 A1 Mar. 16, 2006

Related U.S. Application Data

(63) Continuation of application No. 10/105,839, filed on Mar. 25, 2002, now Pat. No. 7,128,760.

(60) Provisional application No. 60/279,205, filed on Mar. 27, 2001, provisional application No. 60/281,714, filed on Apr. 4, 2001.

(51) **Int. Cl.**
A61F 2/44 (2006.01)

(52) **U.S. Cl.** **623/17.16**

(58) **Field of Classification Search** 623/17.11-17.16;
411/60.1, 60.2, 55, 71, 72, 45-50
See application file for complete search history.

(56) **References Cited**

U.S. PATENT DOCUMENTS

332,701 A * 12/1885 Craig 411/55
4,309,777 A 1/1982 Patil

4,501,269 A	2/1985	Bagby	
4,607,992 A *	8/1986	Mauritz et al.	411/45
4,810,141 A *	3/1989	Rainville	411/38
4,878,915 A	11/1989	Brantigan	
4,961,740 A	10/1990	Ray et al.	
5,015,247 A	5/1991	Michelson	
5,026,373 A	6/1991	Ray et al.	
5,055,104 A	10/1991	Ray	
5,059,193 A	10/1991	Kuslich	
5,123,926 A	6/1992	Pisharodi	
5,147,402 A	9/1992	Bohler et al.	
5,192,327 A	3/1993	Brantigan	
5,263,953 A	11/1993	Bagby	
5,290,312 A	3/1994	Kojimoto et al.	
5,306,310 A	4/1994	Siebels	
5,390,683 A	2/1995	Pisharodi	
5,439,684 A	8/1995	Prewett et al.	
5,484,437 A	1/1996	Michelson	
5,549,679 A	8/1996	Kuslich	
5,554,191 A	9/1996	Lahille et al.	
4,961,740 A	1/1997	Ray et al.	
5,609,635 A	3/1997	Michelson	
5,609,636 A	3/1997	Kohrs et al.	
5,653,763 A	8/1997	Errico et al.	
5,665,122 A	9/1997	Kambin	

(Continued)

FOREIGN PATENT DOCUMENTS

DE 44 16 605 6/1995

(Continued)

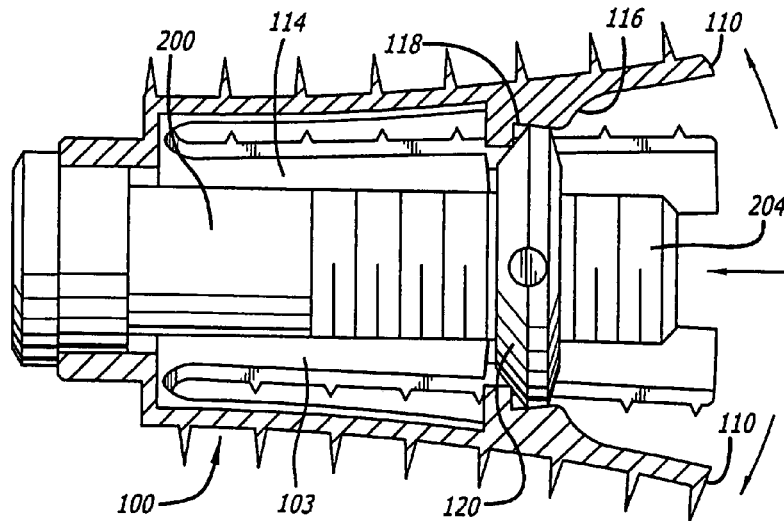
Primary Examiner — Anu Ramana

(74) *Attorney, Agent, or Firm* — Martin & Ferraro, LLP

(57) **ABSTRACT**

Orthopedic implants being at least in part radially expandable at one of the leading or trailing ends to expand both the height and at least a portion of the width of the implant, and instruments and methods for inserting the implants into an implantation space are disclosed.

23 Claims, 25 Drawing Sheets



U.S. PATENT DOCUMENTS

5,693,100 A 12/1997 Pisharodi
 5,702,391 A 12/1997 Lin
 5,713,904 A 2/1998 Errico et al.
 5,749,916 A 5/1998 Richelsoph
 5,776,199 A 7/1998 Michelson
 5,782,832 A 7/1998 Larsen et al.
 5,865,848 A 2/1999 Baker
 5,928,242 A 7/1999 Kuslich et al.
 5,928,284 A 7/1999 Mehdizadeh
 5,968,098 A 10/1999 Winslow
 5,976,187 A 11/1999 Richelsoph
 5,980,522 A 11/1999 Koros et al.
 6,015,436 A 1/2000 Schonhoffer
 6,019,792 A 2/2000 Cauthen
 6,039,761 A 3/2000 Li et al.
 6,045,579 A 4/2000 Hochshuler et al.
 6,059,829 A 5/2000 Schlapfer et al.
 6,080,155 A 6/2000 Michelson
 6,080,193 A 6/2000 Hochshuler et al.
 6,083,225 A 7/2000 Winslow et al.
 6,093,207 A 7/2000 Pisharodi
 6,102,950 A 8/2000 Vaccaro
 6,117,174 A 9/2000 Nolan
 6,126,689 A 10/2000 Brett
 6,129,763 A 10/2000 Chauvin et al.
 6,176,882 B1 1/2001 Biedermann et al.
 6,183,517 B1 2/2001 Suddaby
 6,190,414 B1 2/2001 Young et al.
 6,193,757 B1 2/2001 Foley et al.

6,201,039 B1 3/2001 Brown et al.
 6,210,412 B1 4/2001 Michelson
 6,419,705 B1 7/2002 Erickson
 6,436,140 B1 8/2002 Liu et al.
 6,443,989 B1 9/2002 Jackson
 6,451,057 B1 9/2002 Chen et al.
 6,454,806 B1 9/2002 Cohen et al.
 6,821,298 B1 11/2004 Jackson
 6,896,680 B2 5/2005 Michelson
 6,986,772 B2 1/2006 Michelson
 7,128,760 B2 10/2006 Michelson
 7,410,501 B2 8/2008 Michelson
 7,445,636 B2 11/2008 Michelson

FOREIGN PATENT DOCUMENTS

EP 0 664 994 8/1995
 FR 2 782 632 3/2000
 SU 1424826 A1 9/1988
 WO WO 97/00054 1/1997
 WO WO 98/48739 11/1998
 WO WO 99/07312 2/1999
 WO WO 99/42062 8/1999
 WO WO 00/12033 3/2000
 WO WO 0012033 * 3/2000
 WO WO 00/35388 6/2000
 WO WO 00/35389 6/2000
 WO WO 00/74605 12/2000
 WO WO 00/78253 12/2000

* cited by examiner

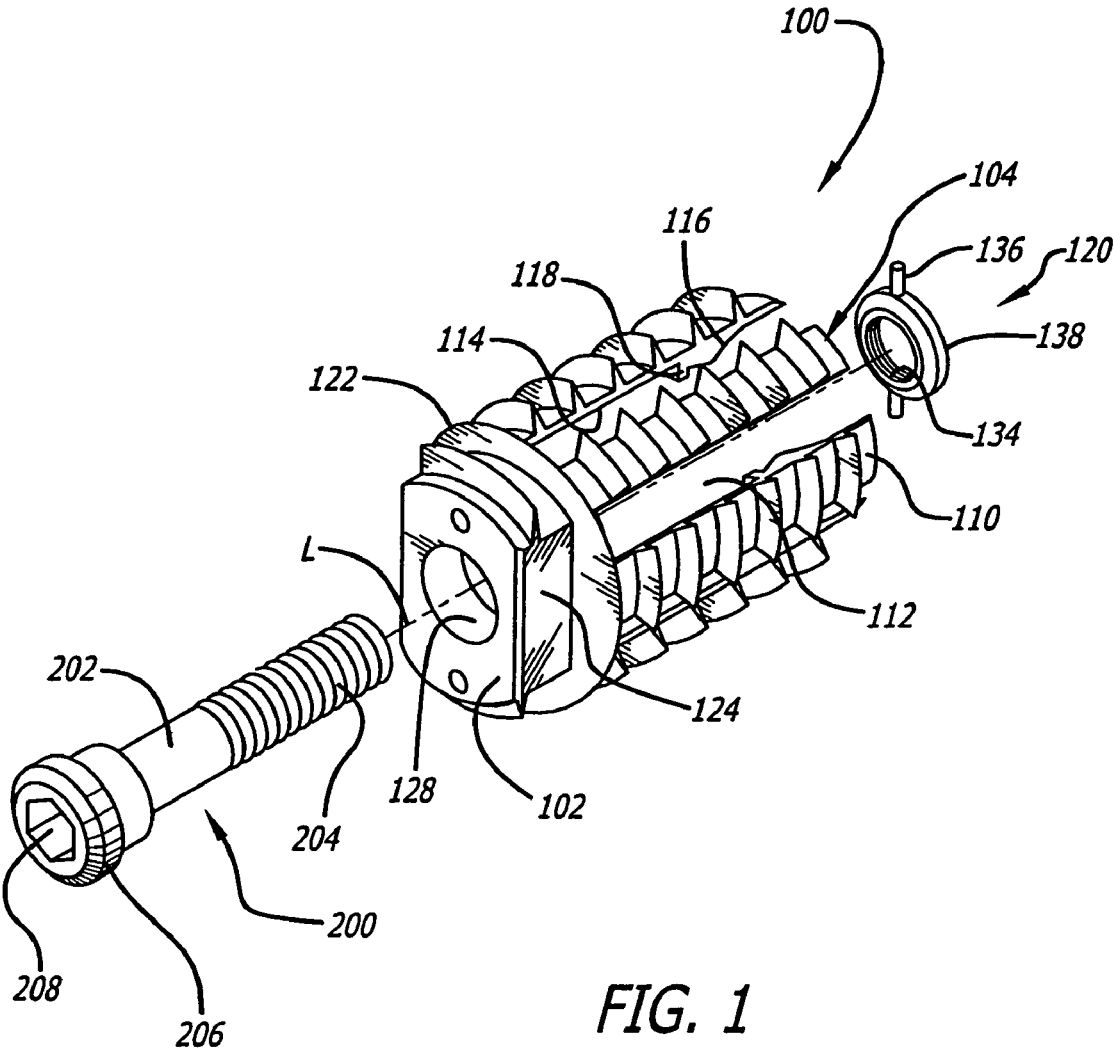
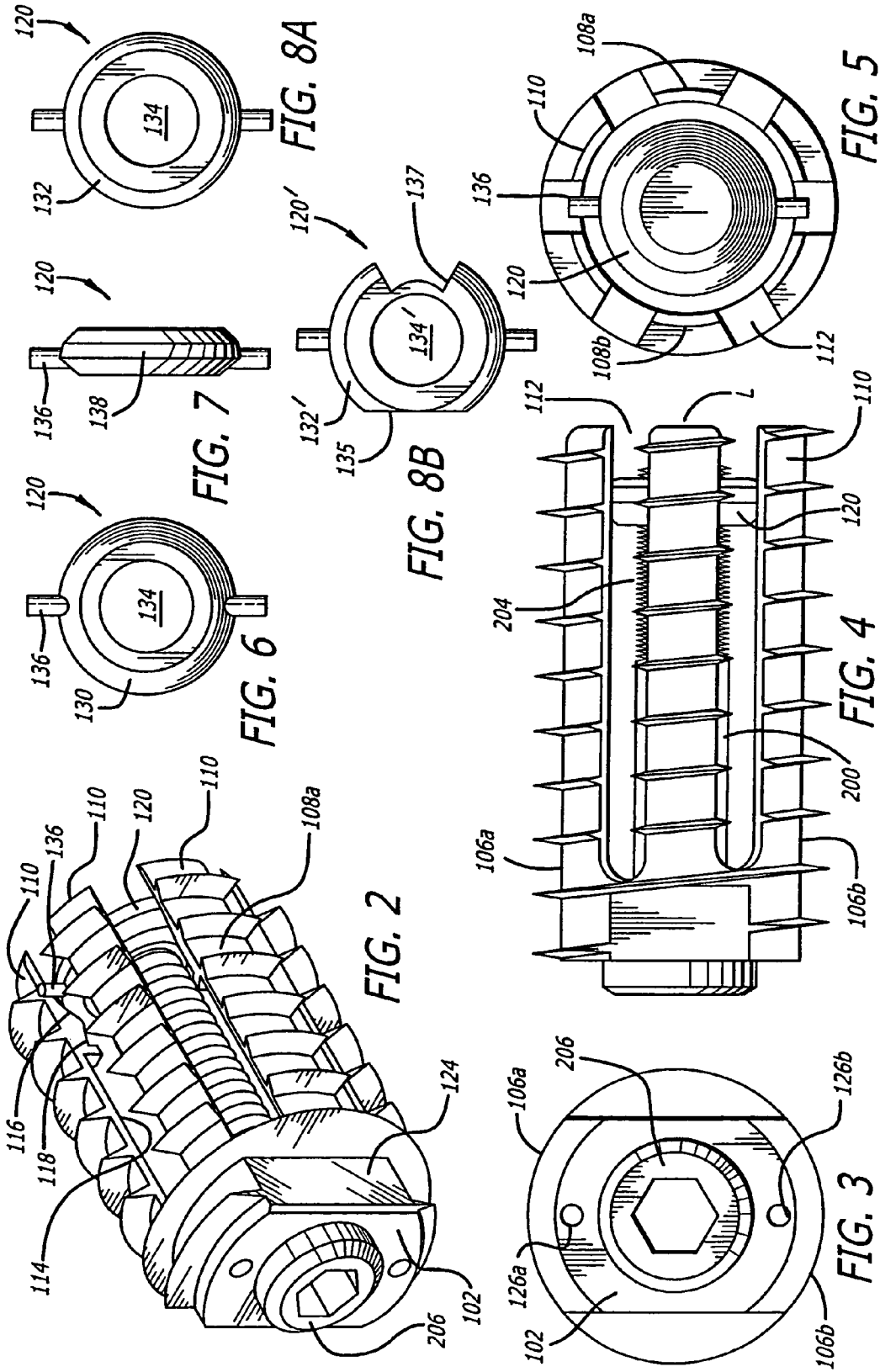


FIG. 1



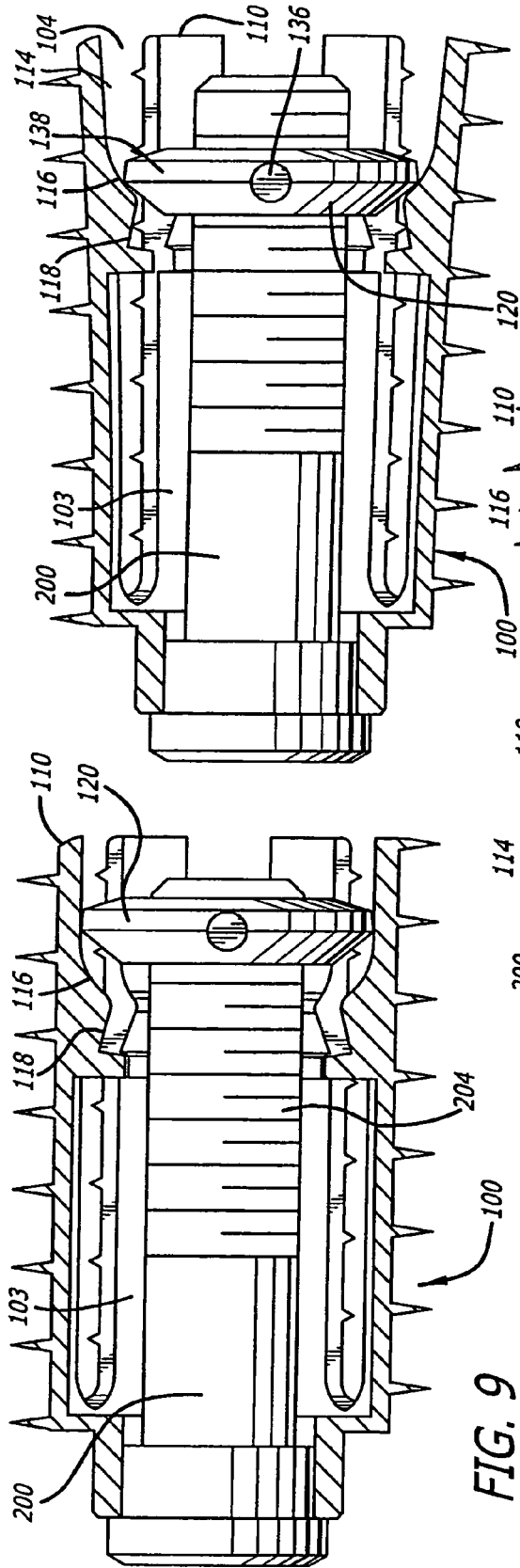


FIG. 9

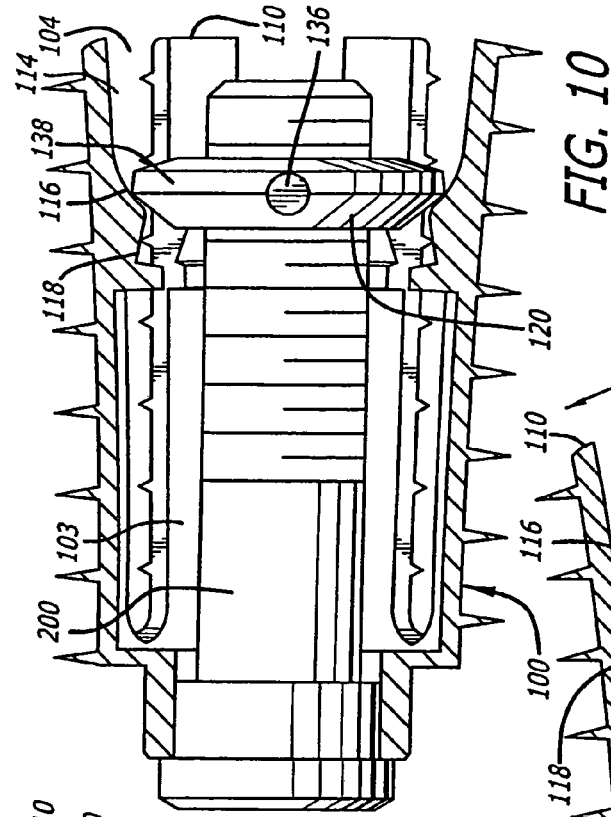


FIG. 10

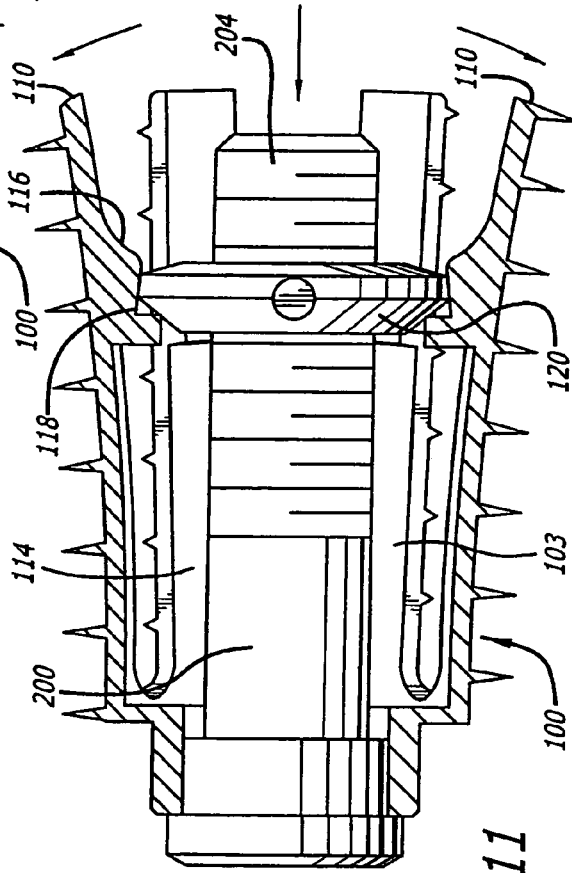
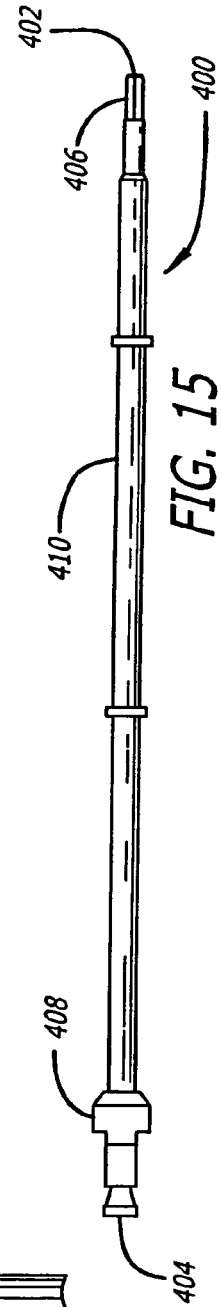
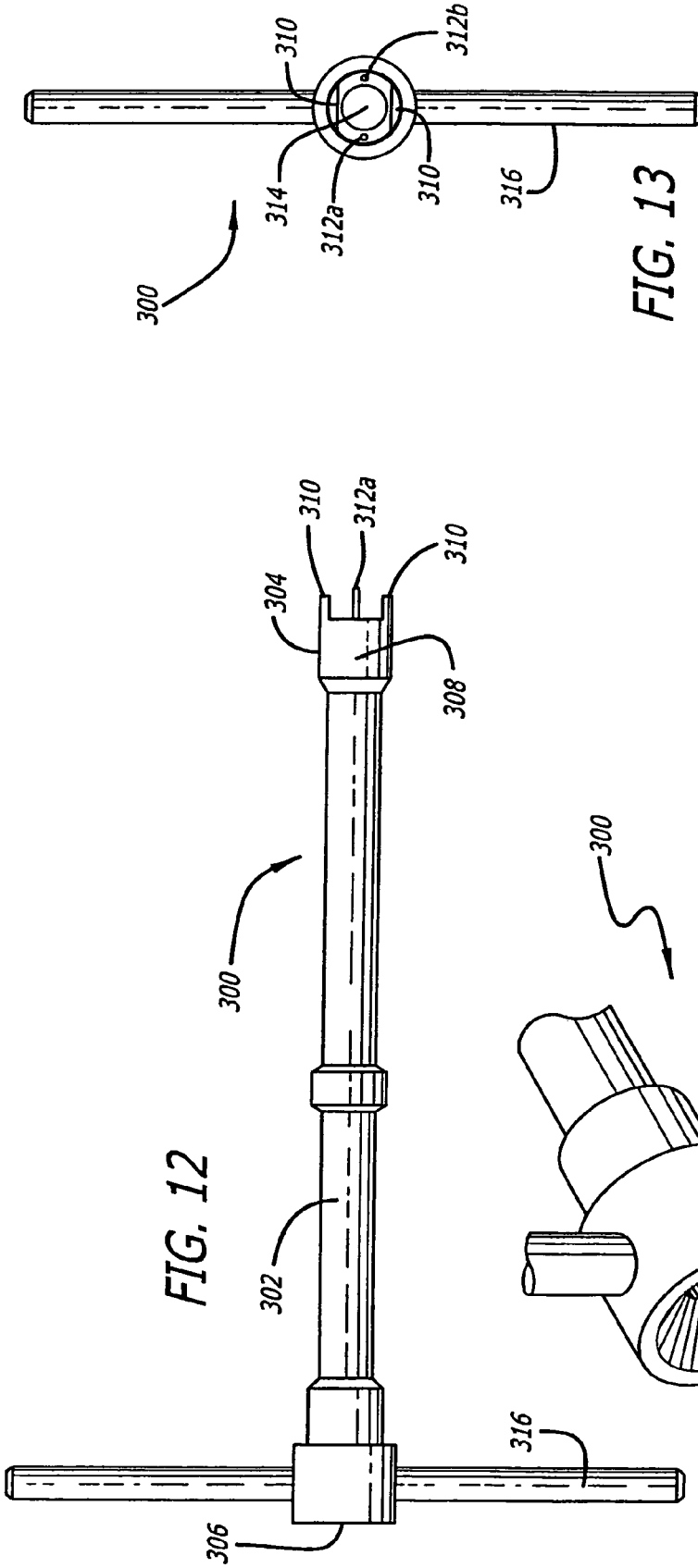


FIG. 11



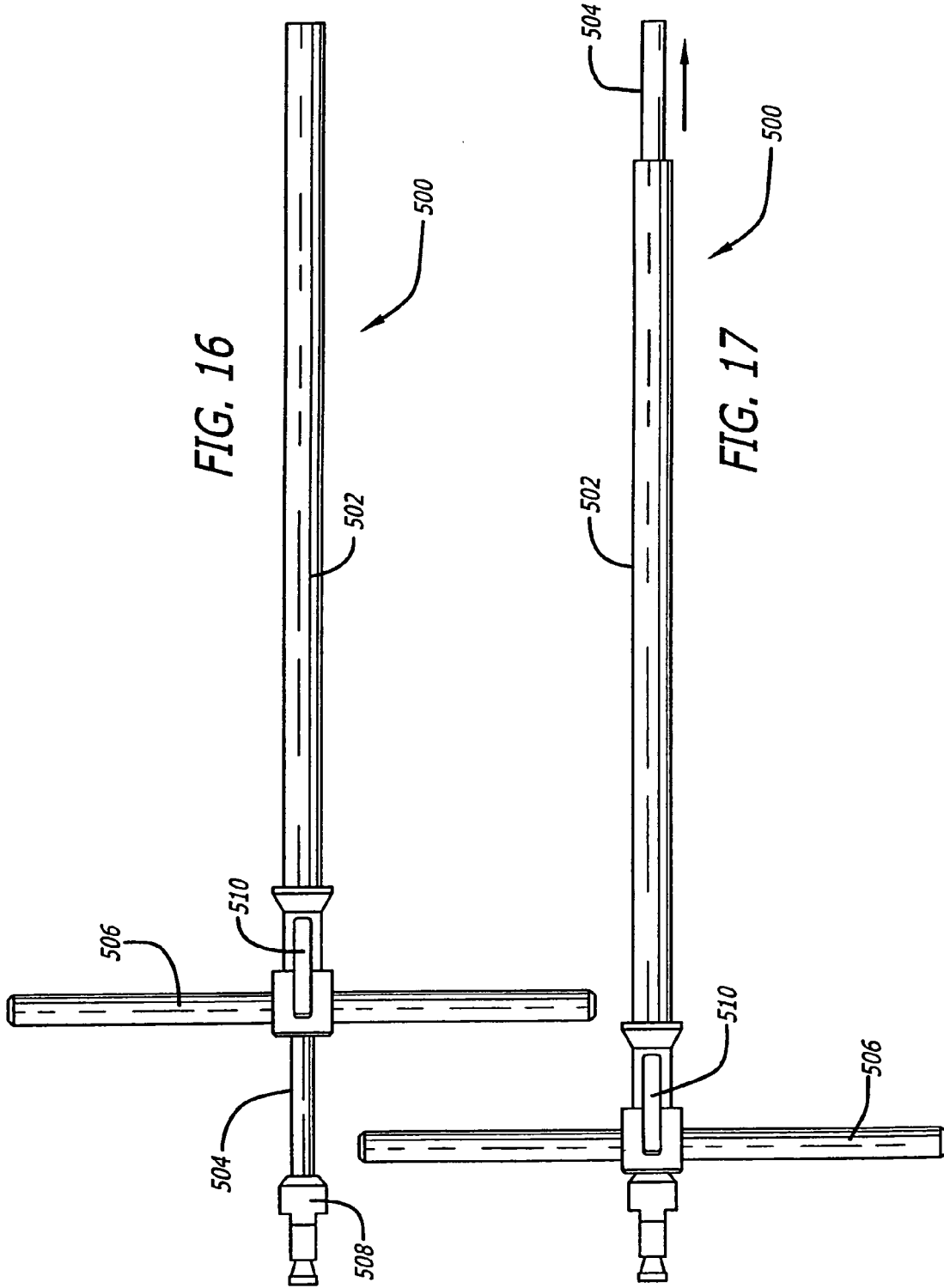


FIG. 16

FIG. 17

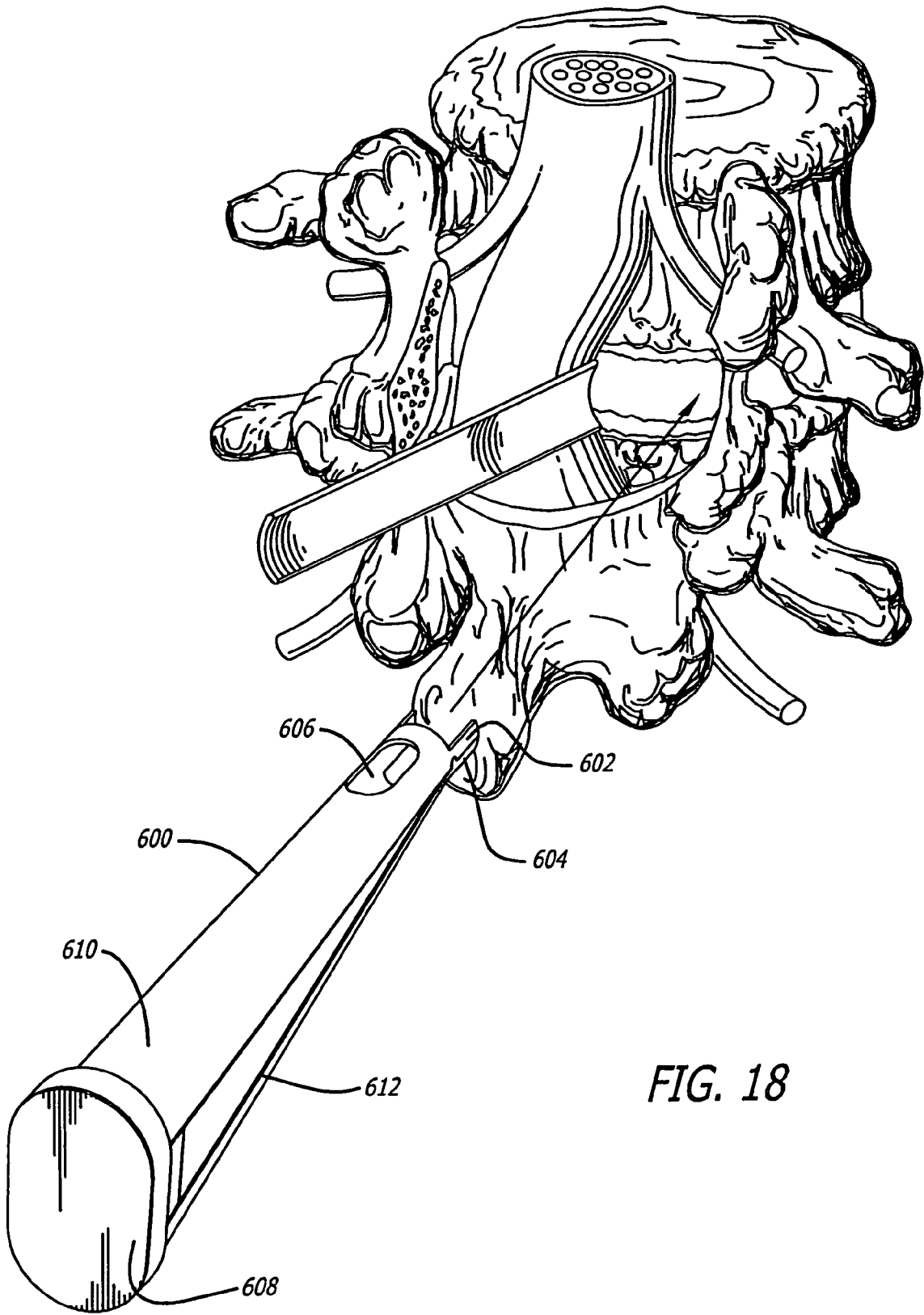
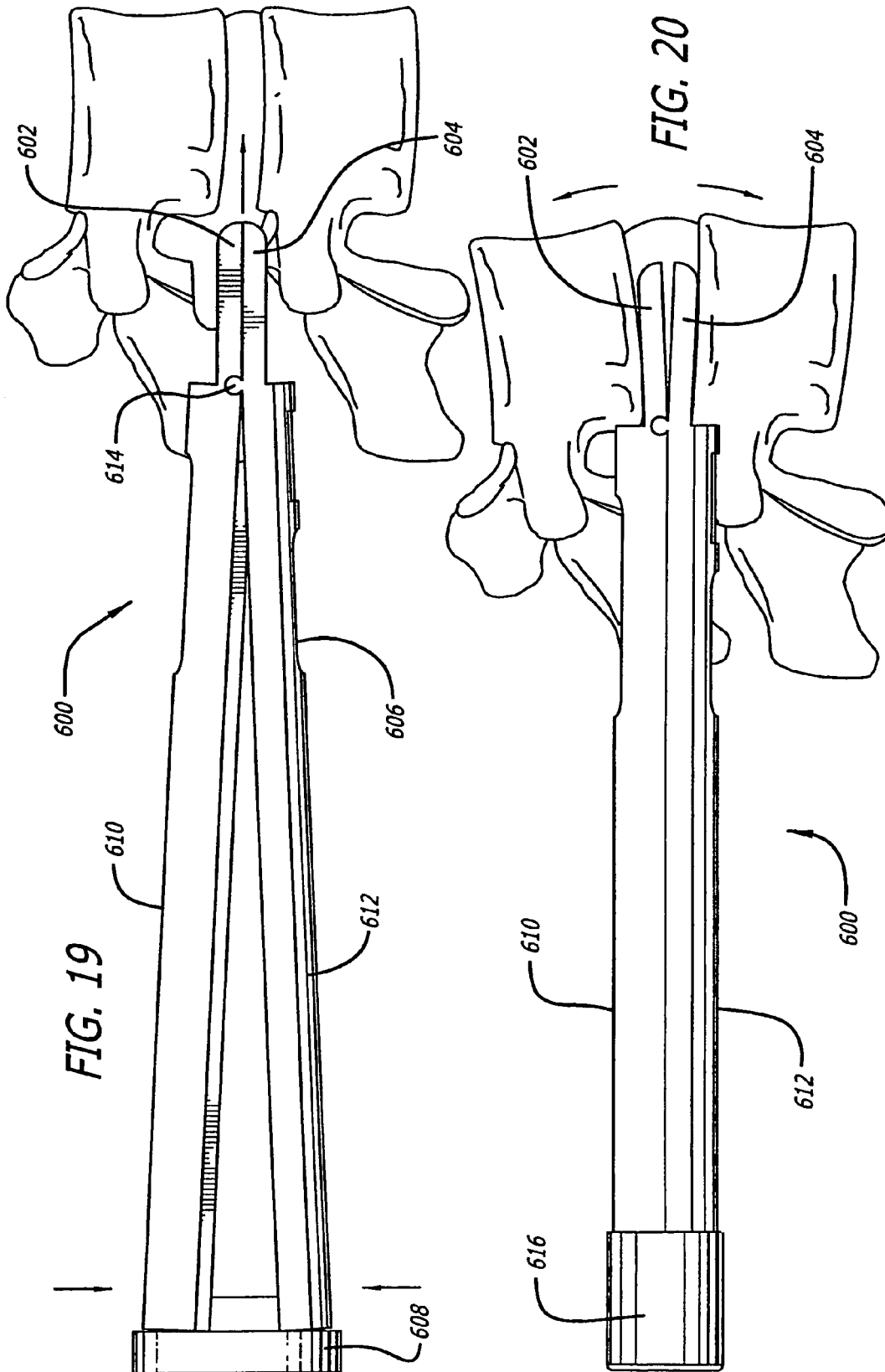
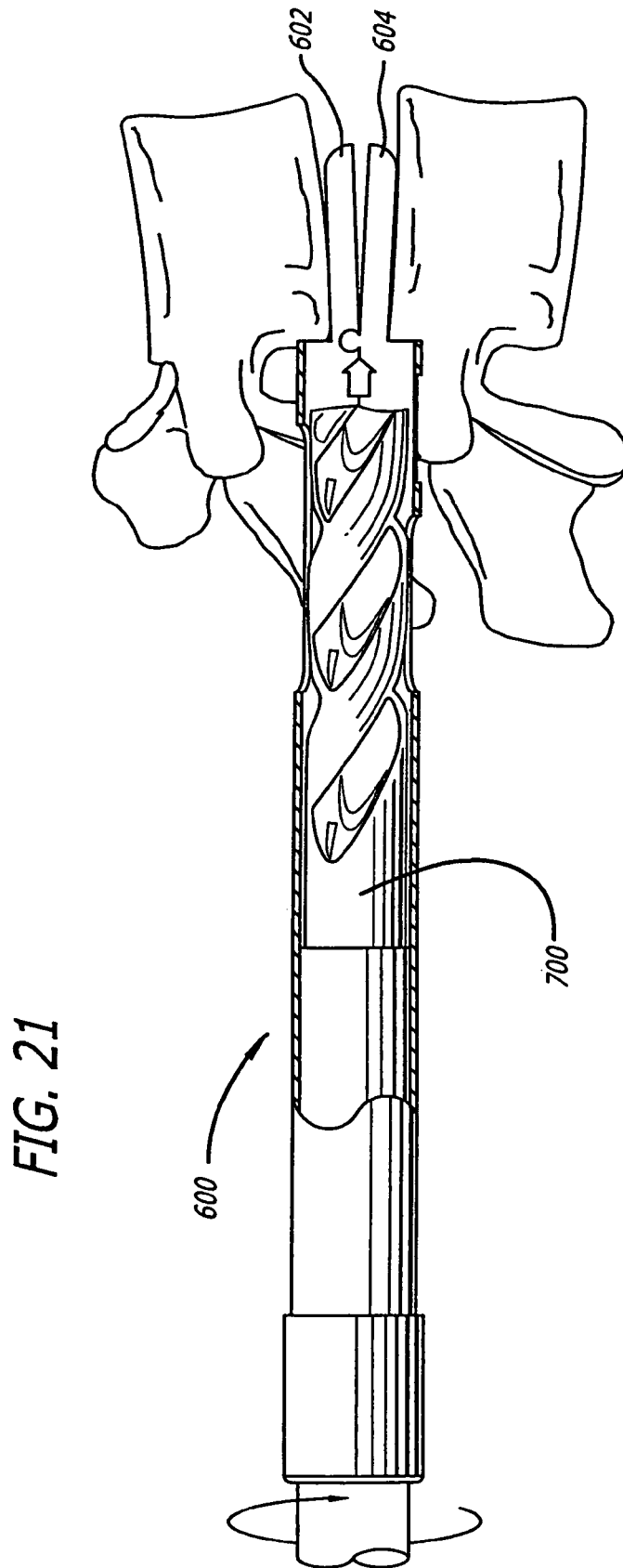


FIG. 18





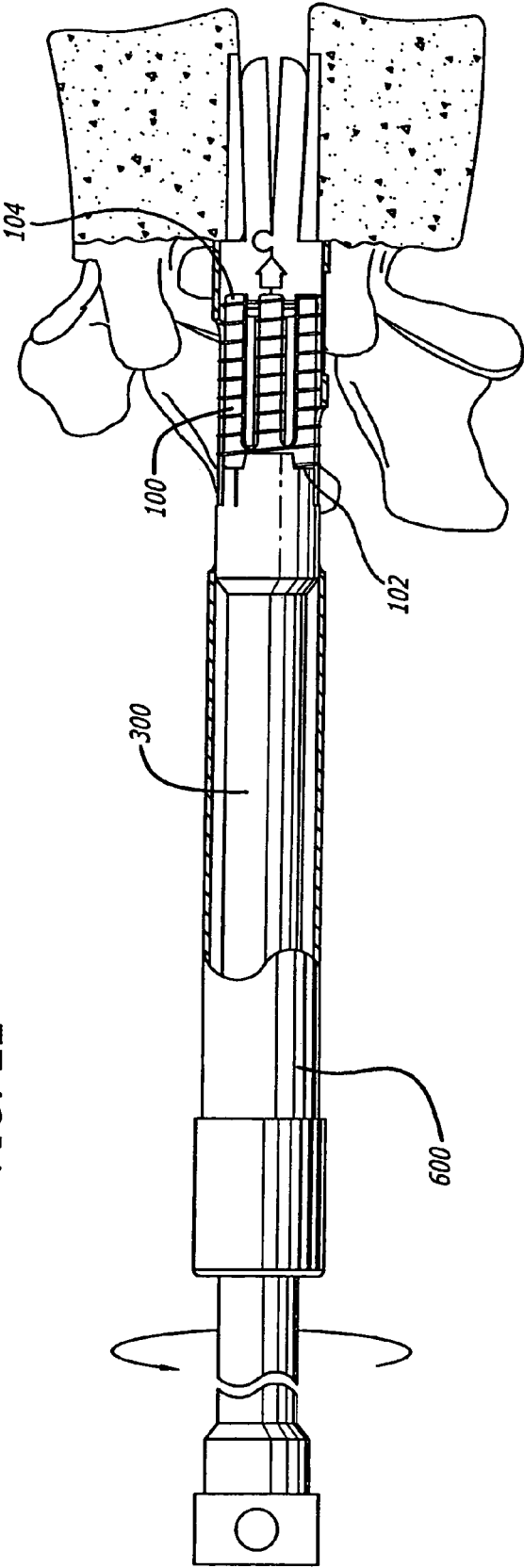
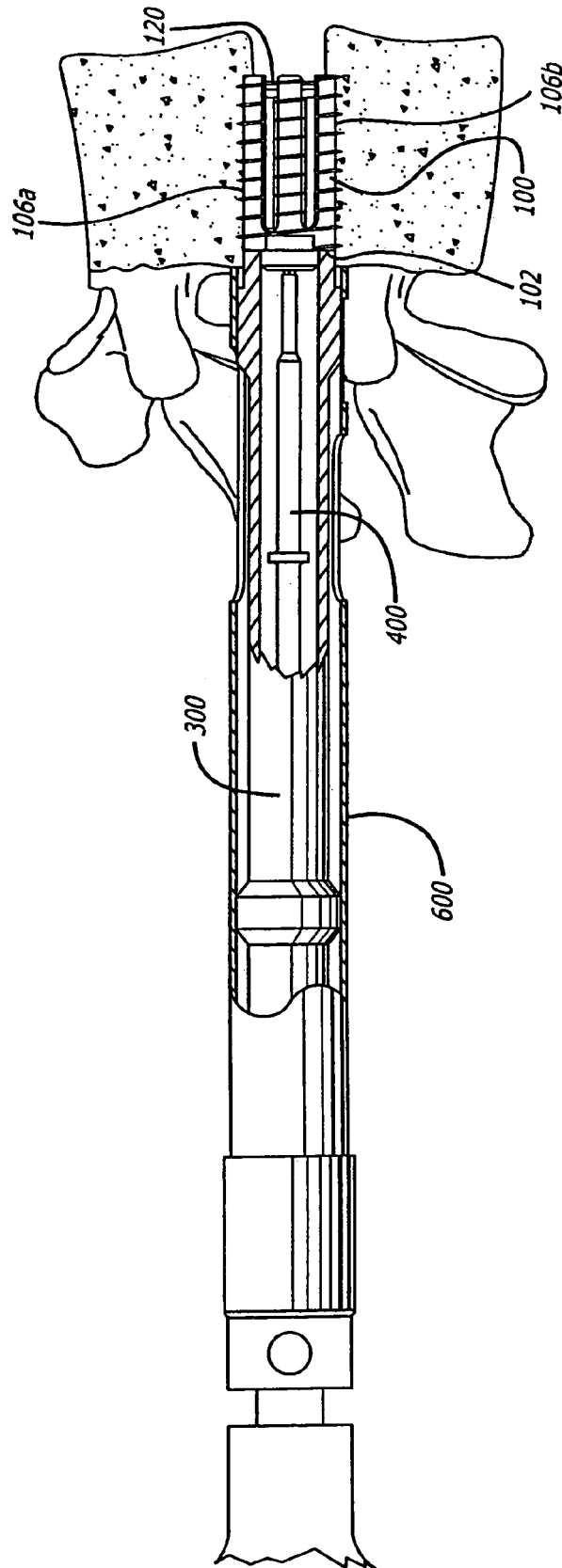
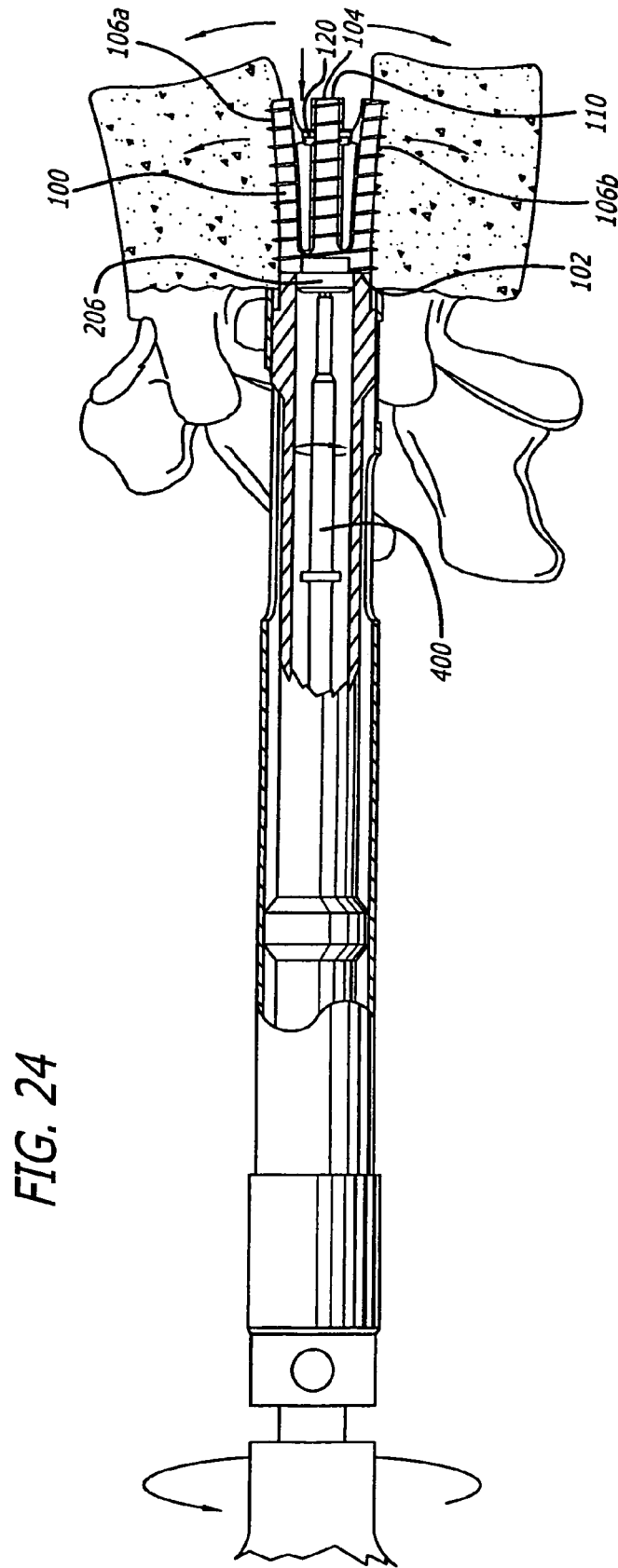
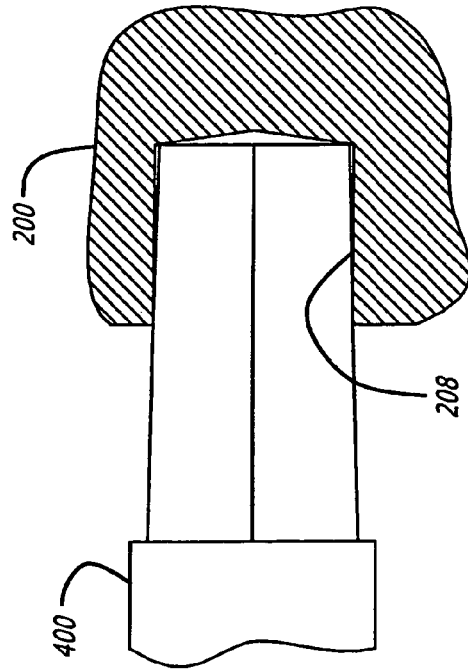
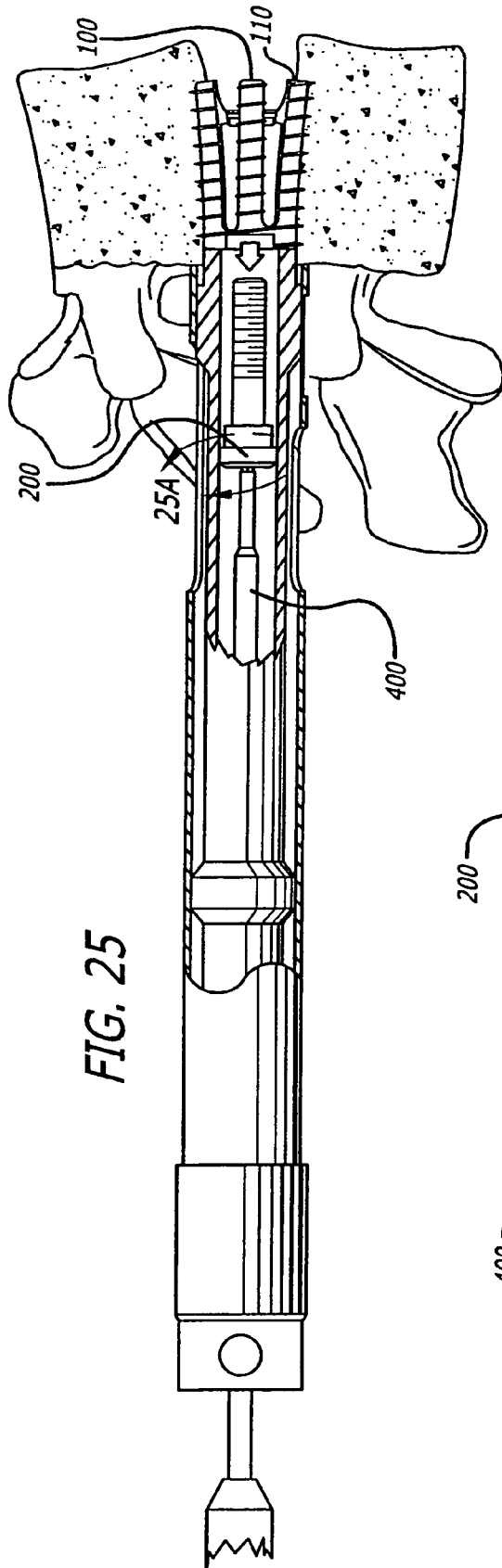


FIG. 22

FIG. 23







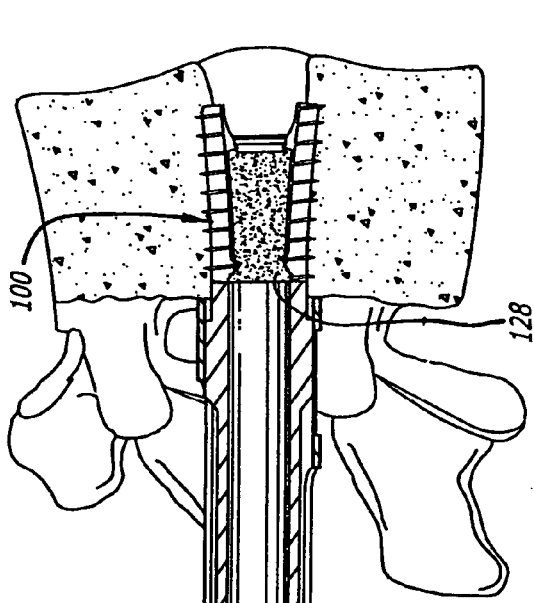


FIG. 26

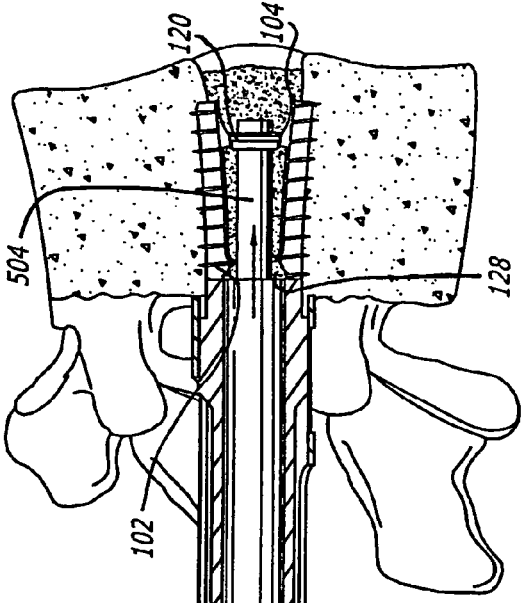
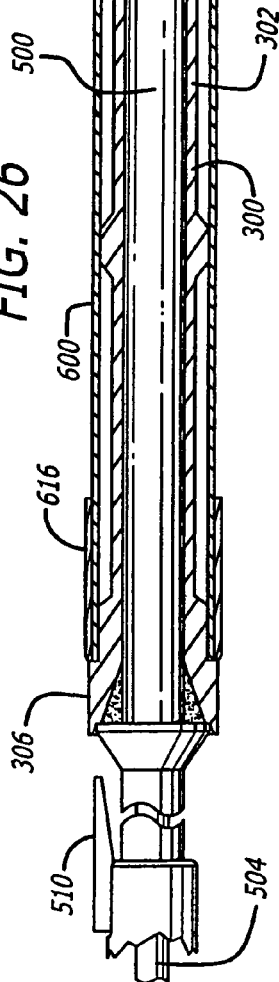
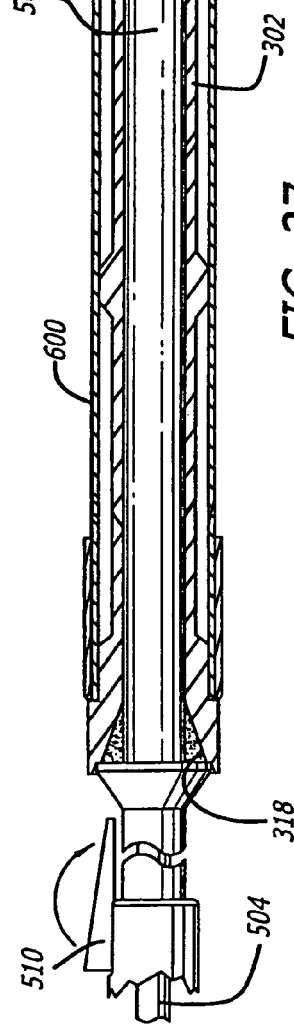


FIG. 27



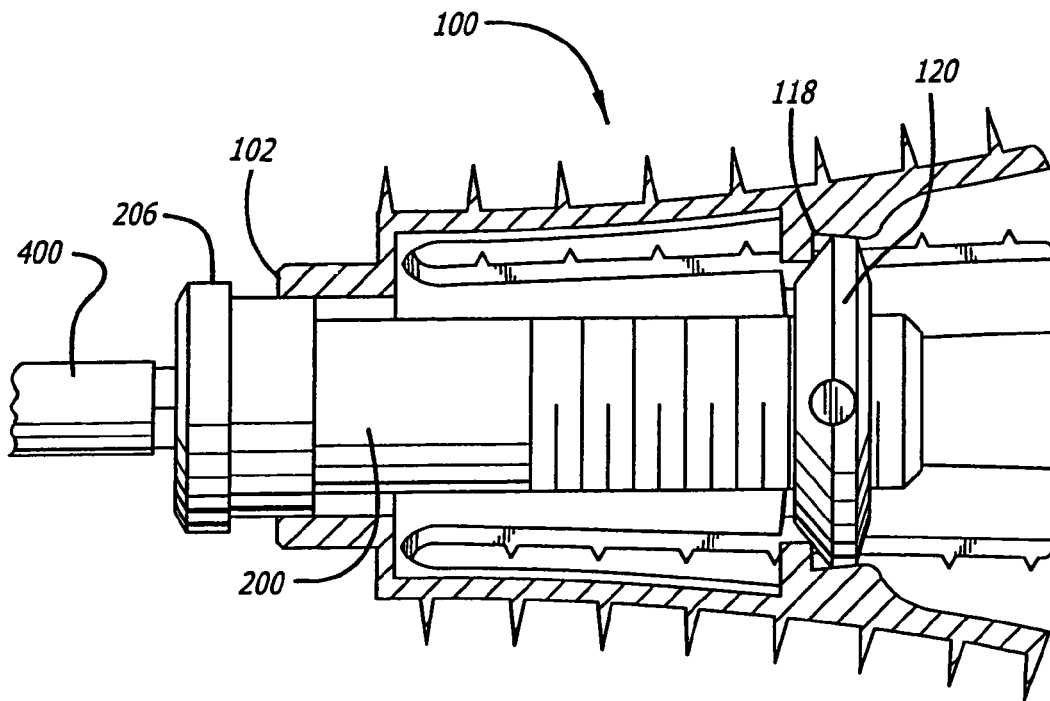


FIG. 28

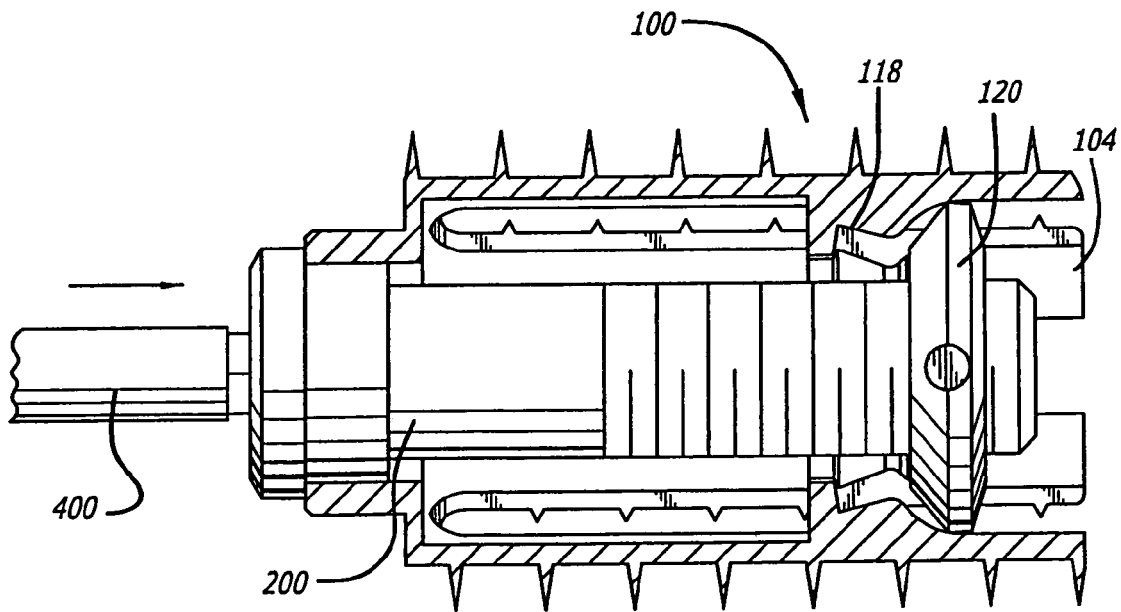
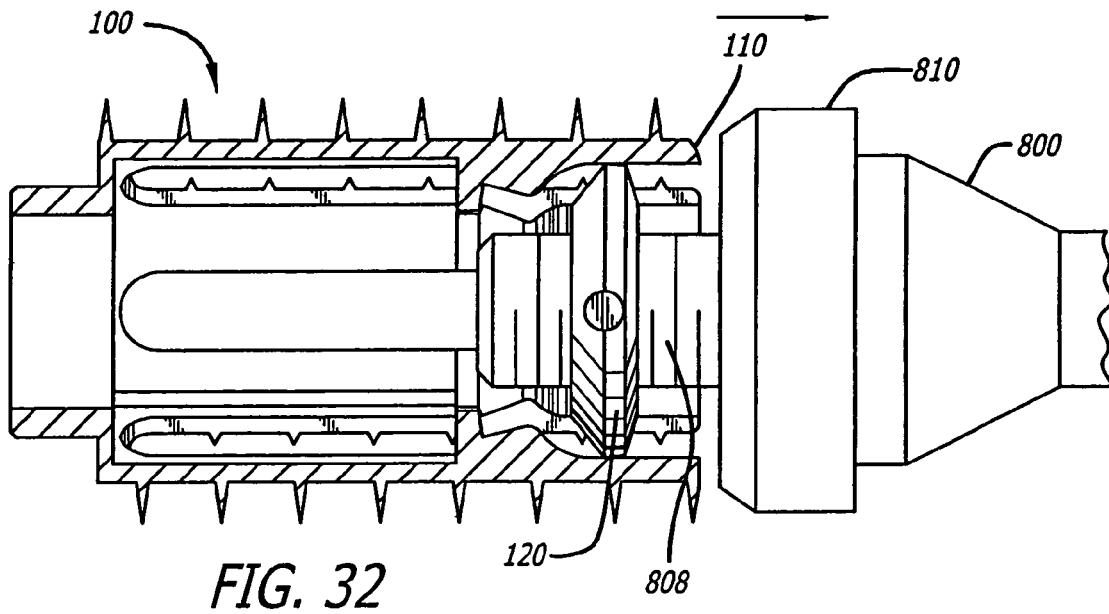
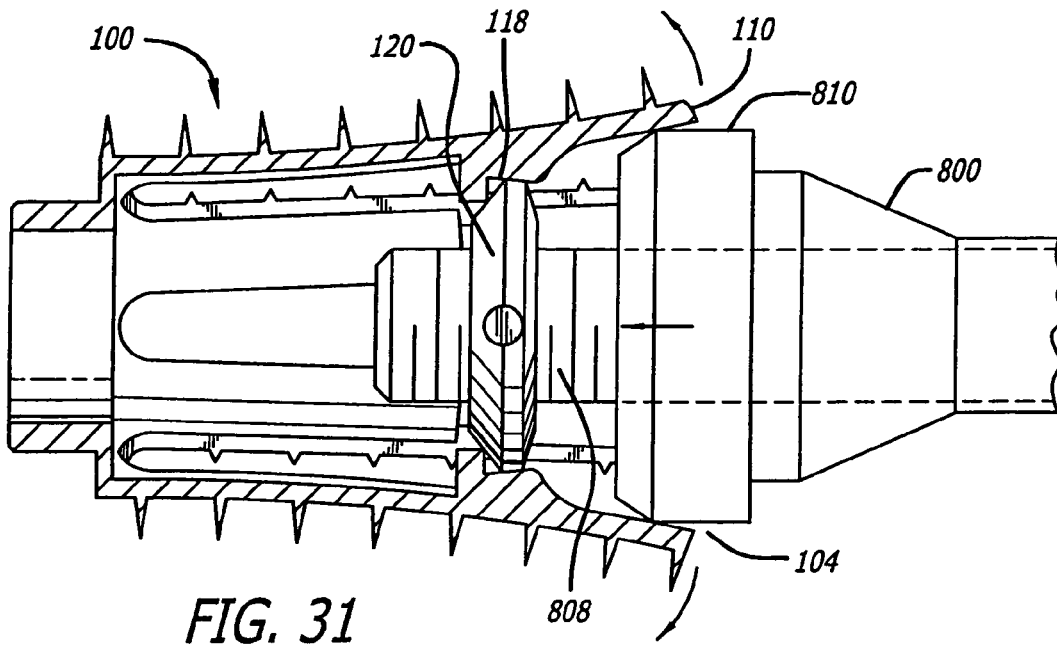
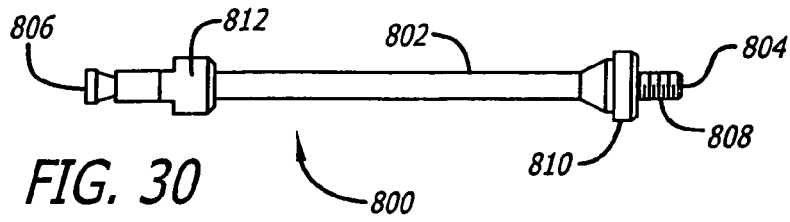


FIG. 29



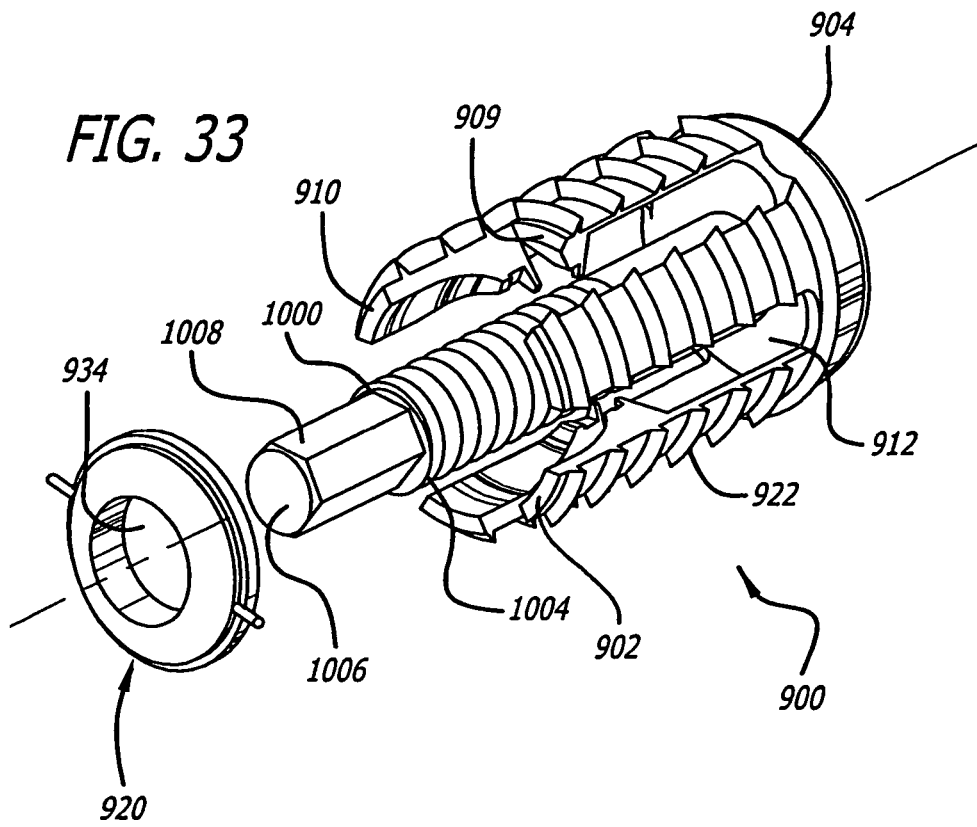


FIG. 39

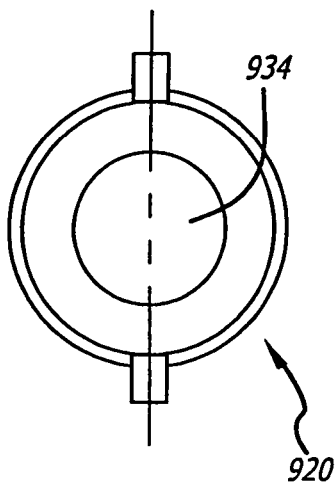


FIG. 40

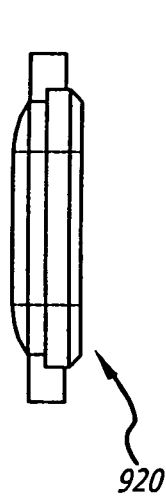


FIG. 41

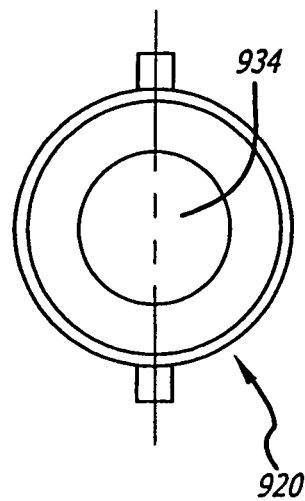


FIG. 35

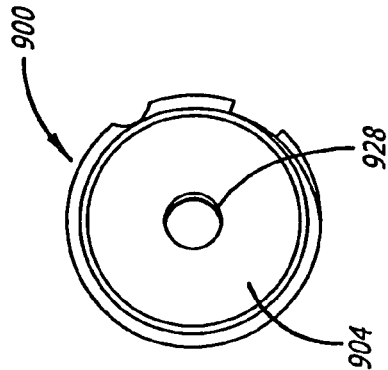


FIG. 34

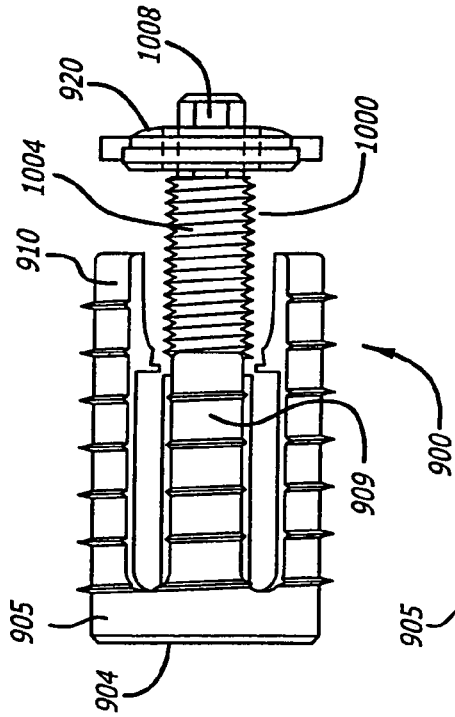


FIG. 36

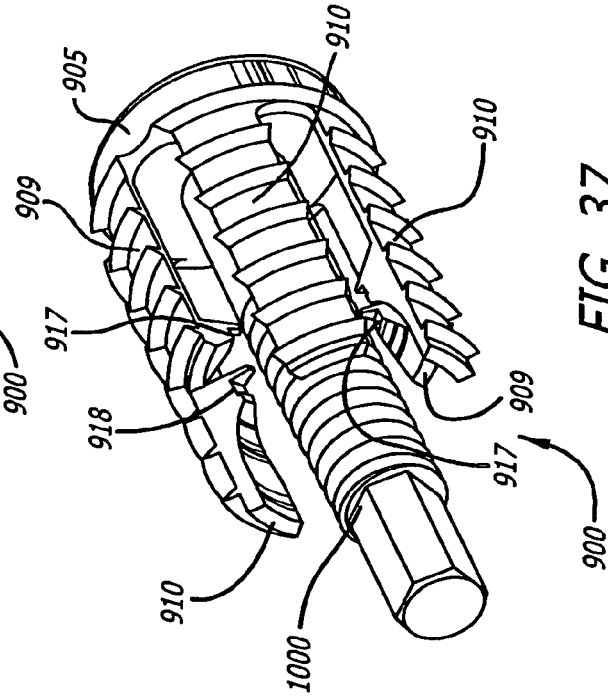
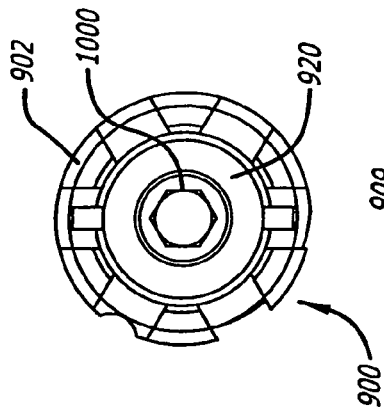


FIG. 37

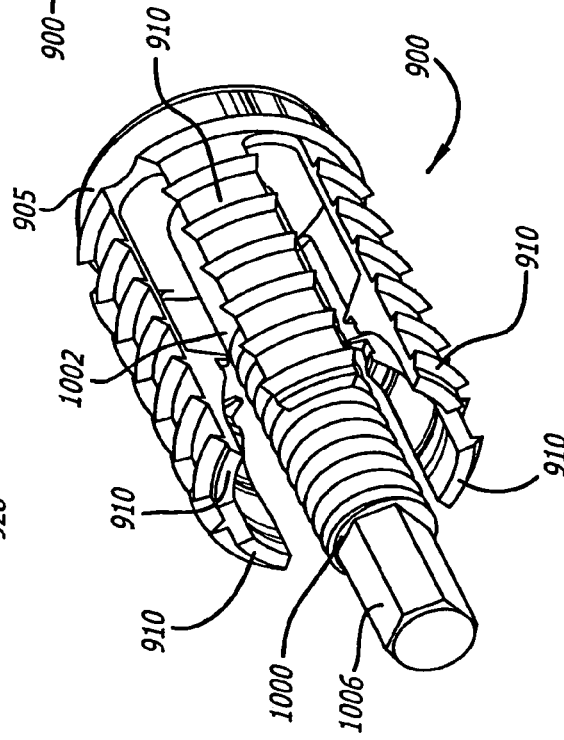
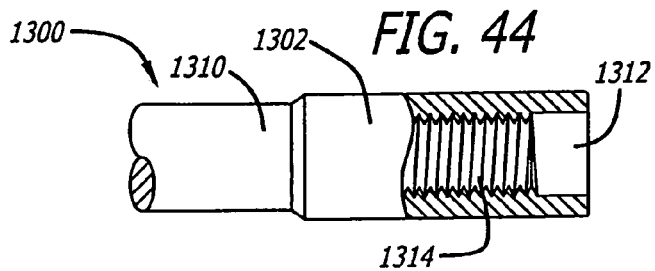
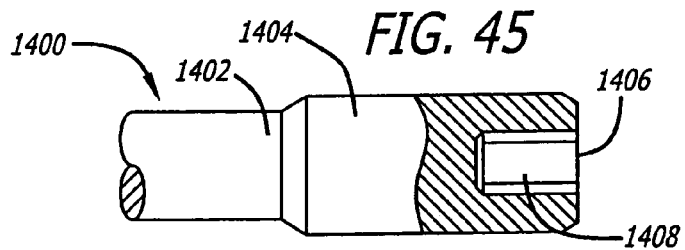
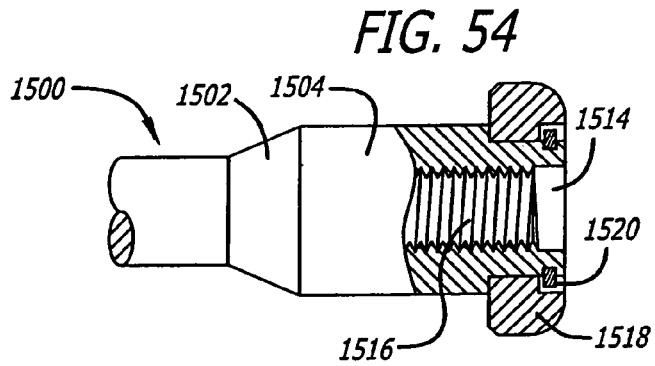
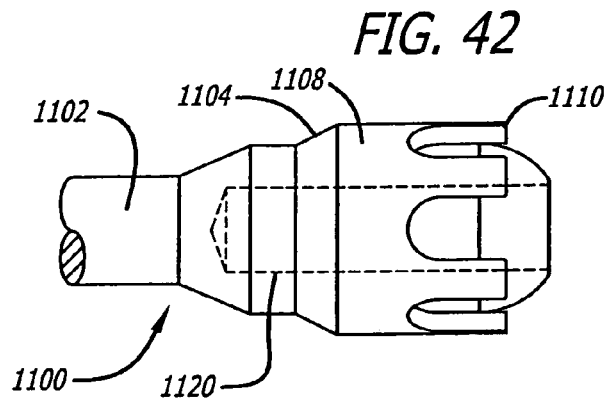
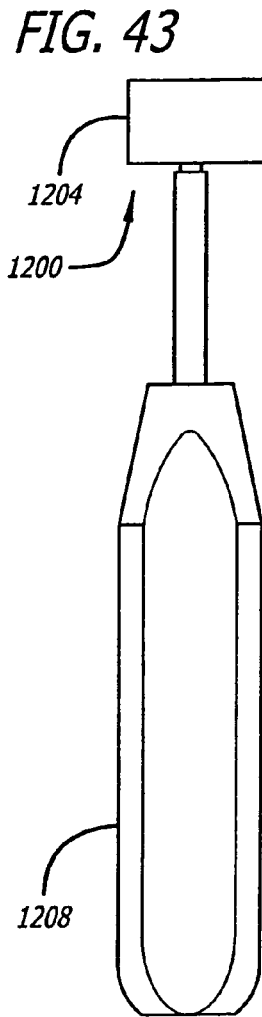


FIG. 38



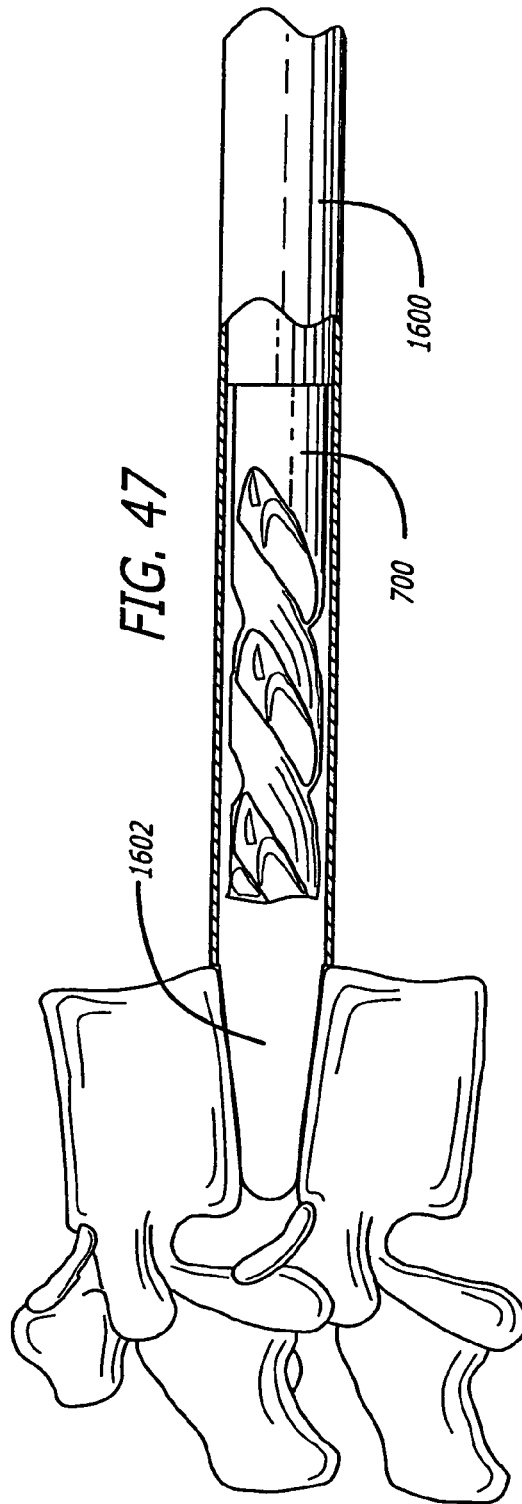
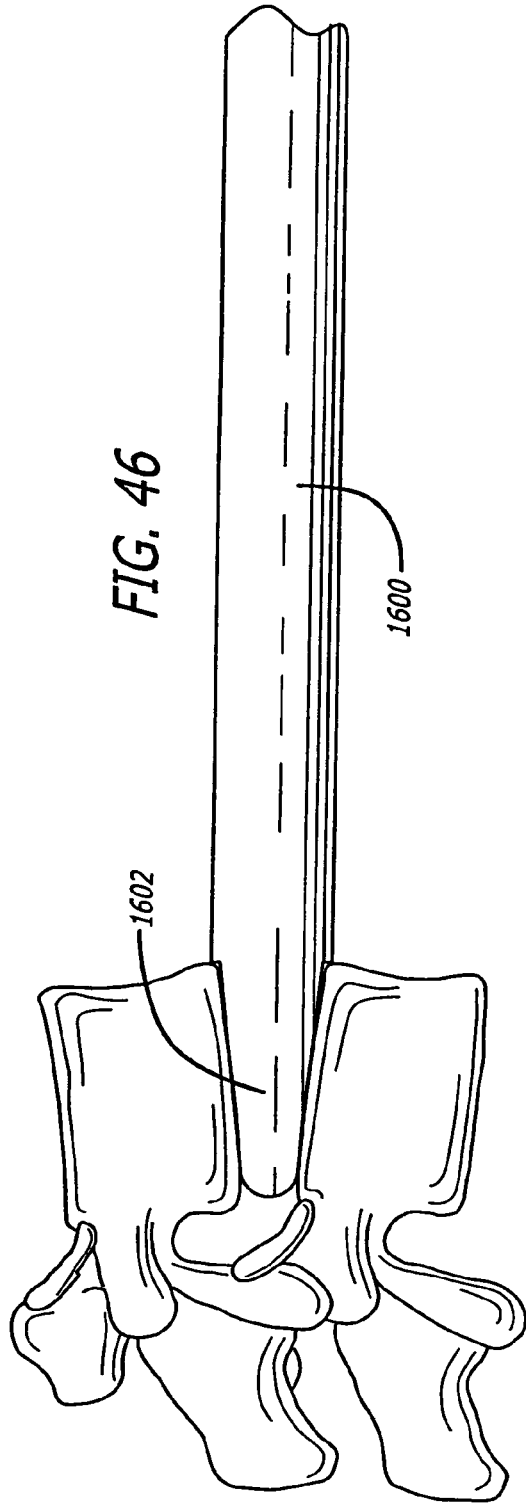
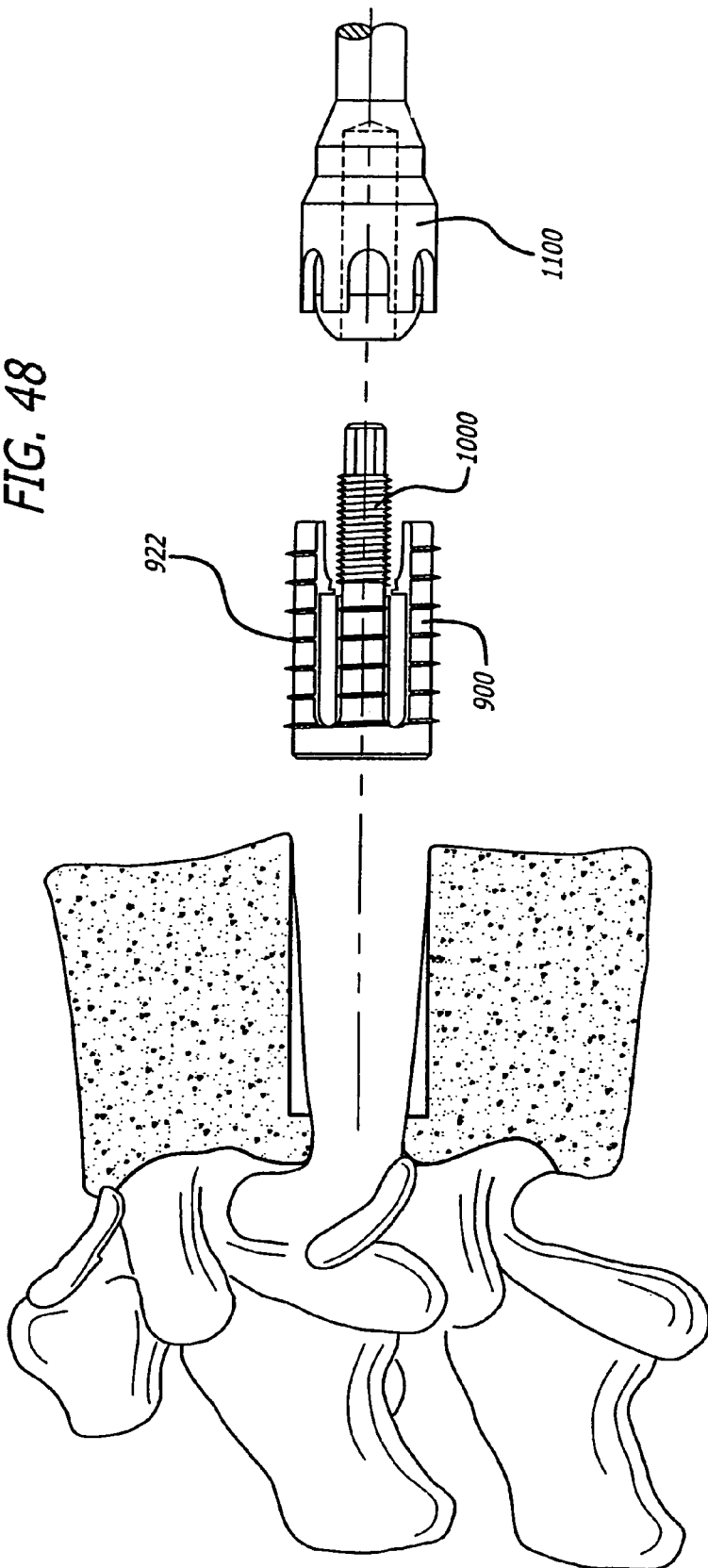


FIG. 48



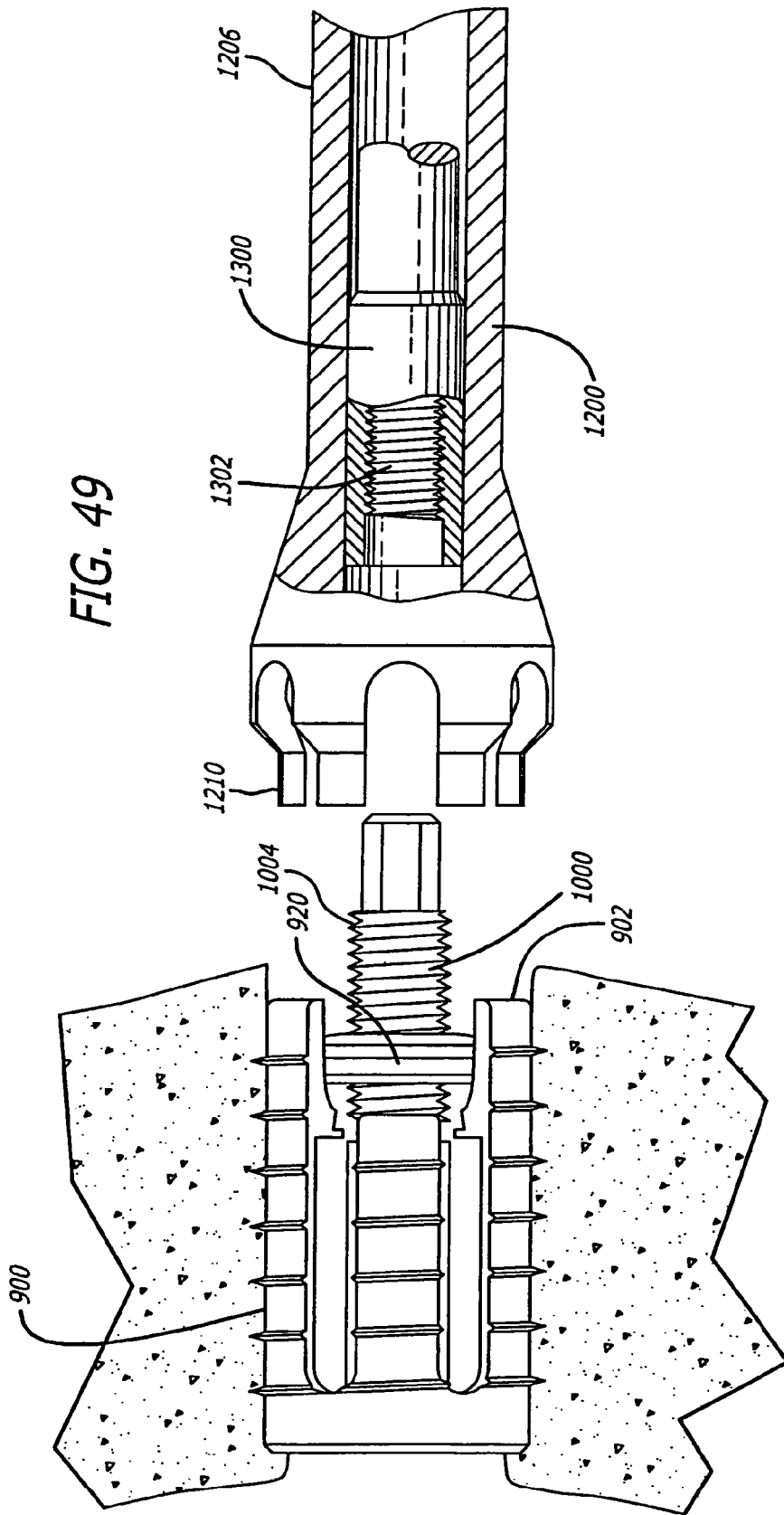
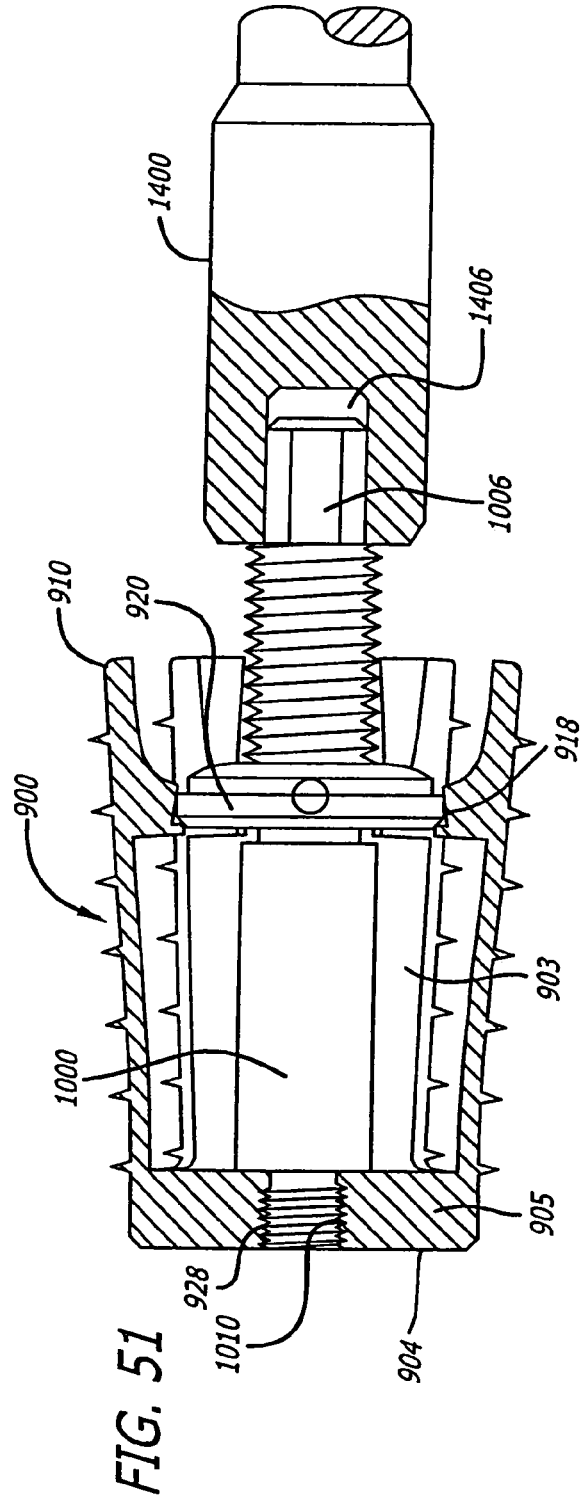
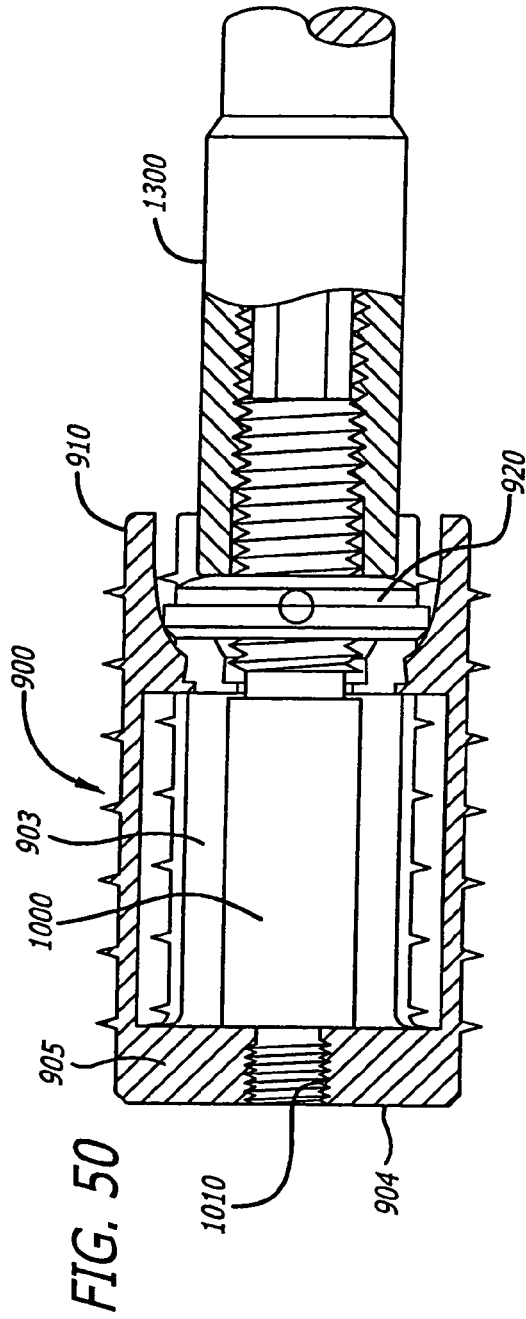
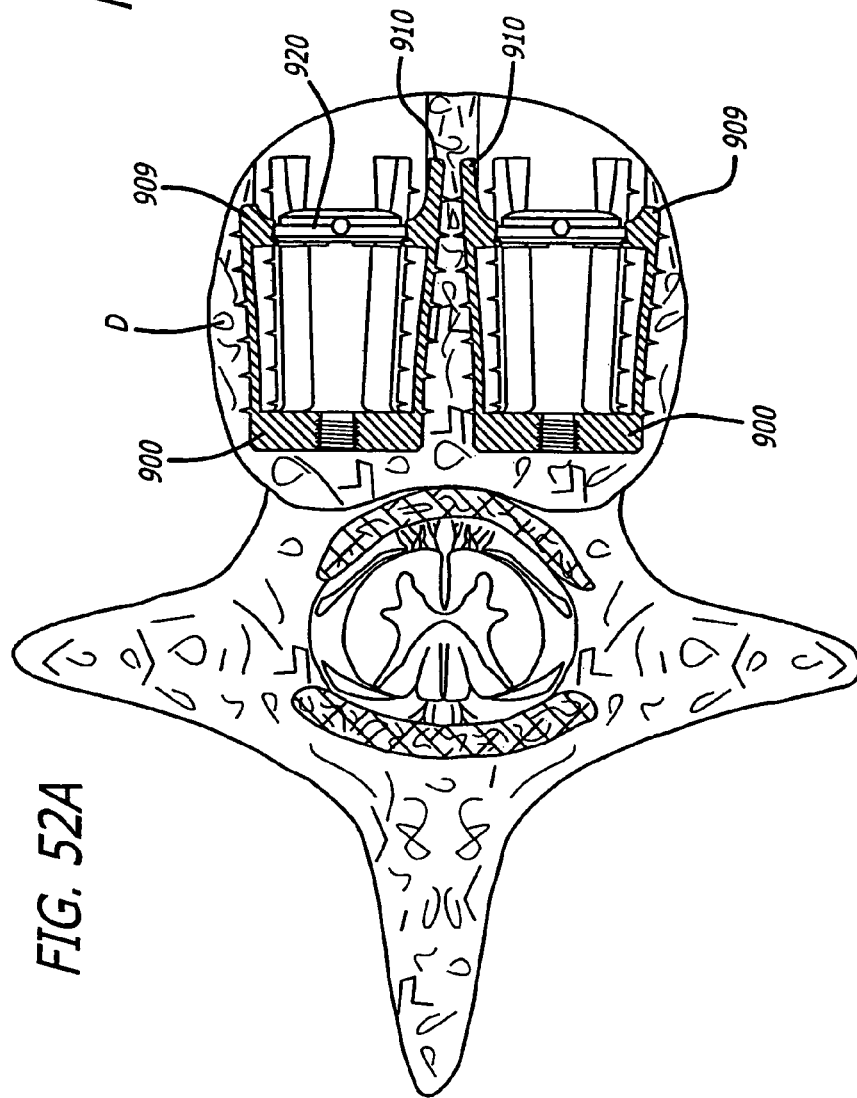
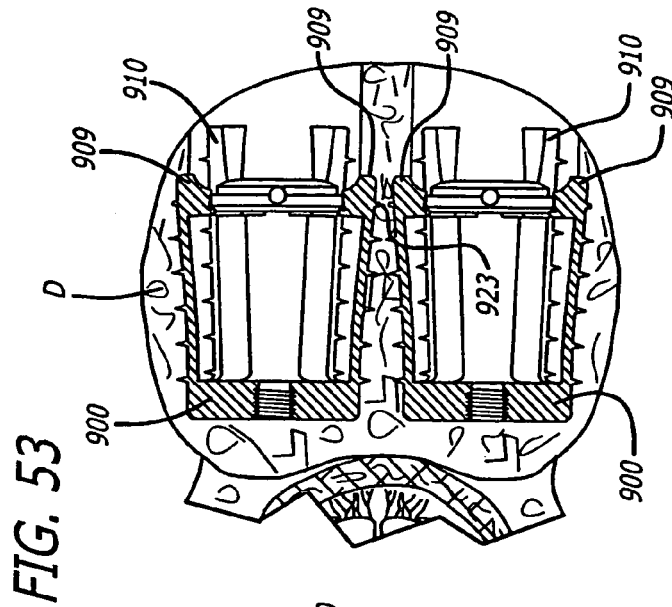


FIG. 49





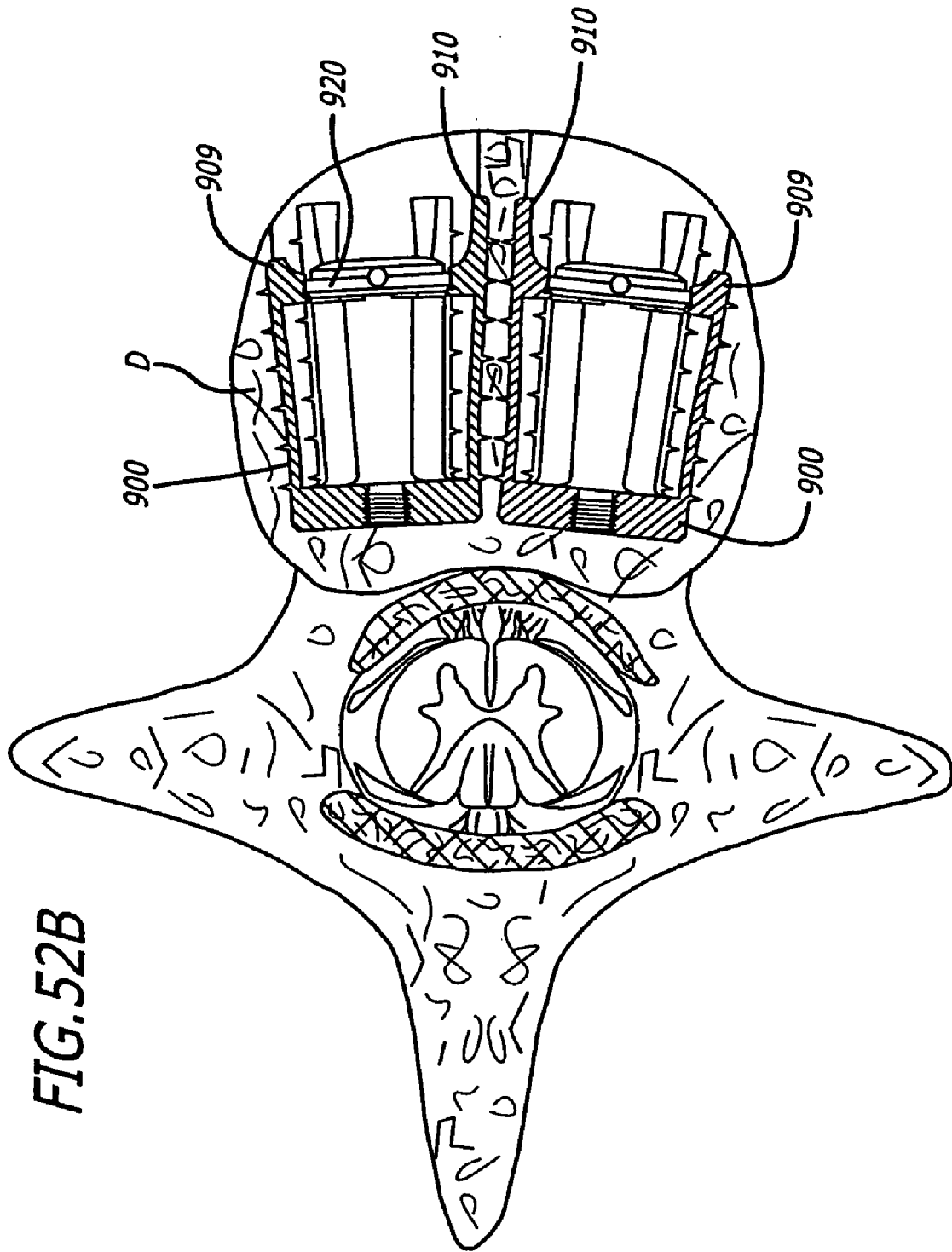


FIG. 52B

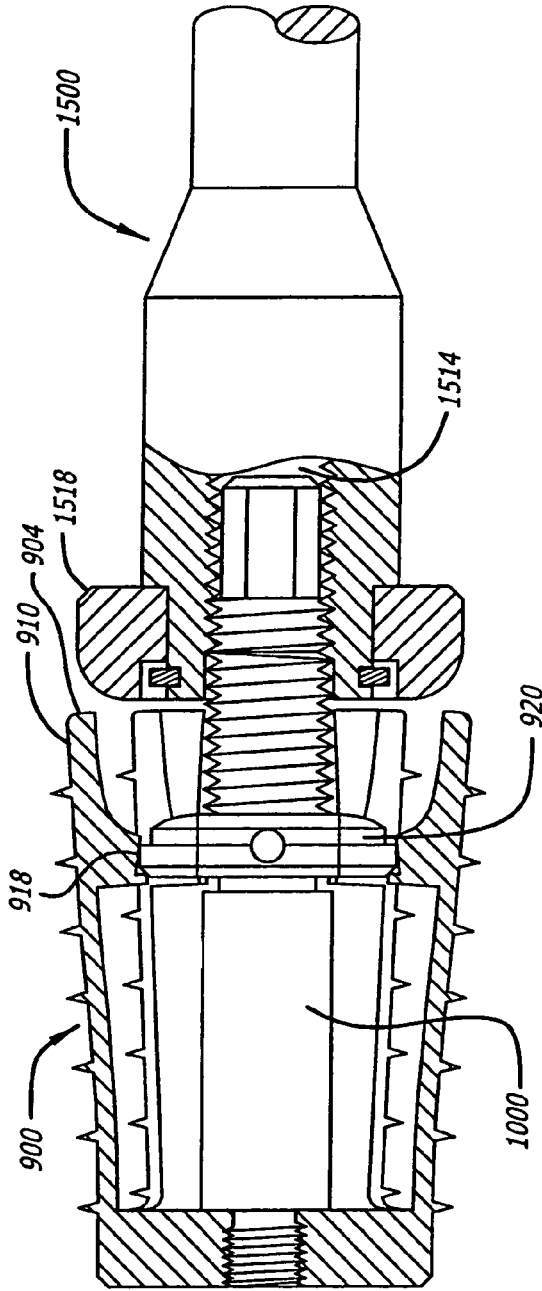


FIG. 55

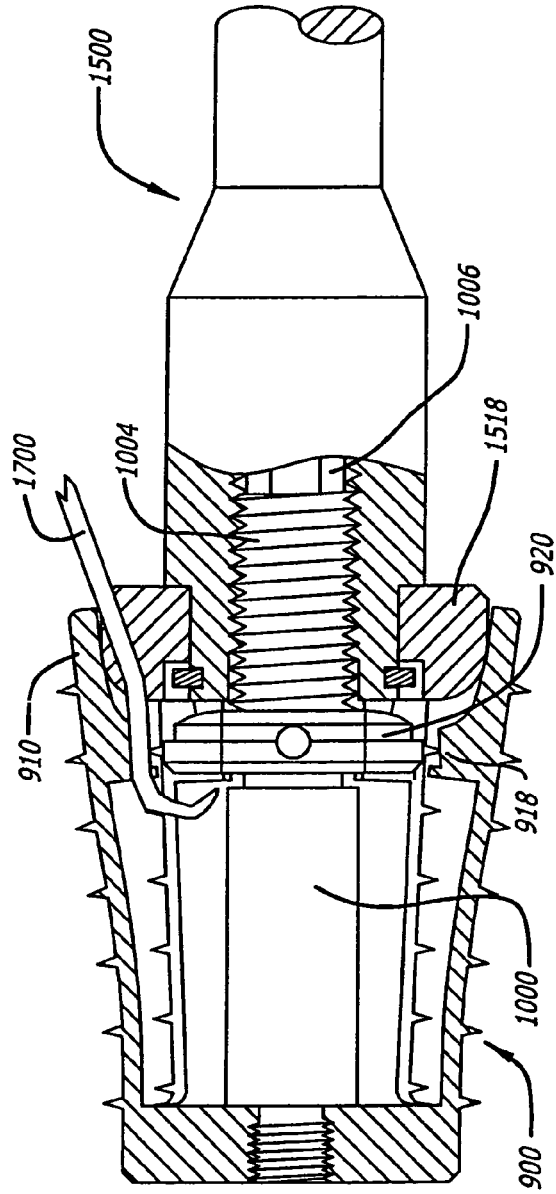


FIG. 56

RADIALLY EXPANDING IMPLANTS

RELATED APPLICATIONS

This application is a continuation of application Ser. No. 10/105,839, filed Mar. 25, 2002 now U.S. Pat. No. 7,128,760; which claims benefit of provisional Application No. 60/279,205, filed Mar. 27, 2001; and provisional Application No. 60/281,714, filed Apr. 4, 2001; all of which are incorporated by reference herein.

BACKGROUND OF THE INVENTION

1. Field of the Invention

The present invention relates generally to interbody spinal implants, and instruments and methods for inserting interbody spinal implants into an implantation space in the spine, and in particular to an expandable interbody (for placement at least in part between adjacent vertebral bodies in the space previously occupied by disc material) spinal fusion implants for the immobilization of adjacent vertebrae.

2. Description of the Related Art

Expandable spinal fusion implants have height raising capabilities that are utilized once the implant is initially positioned. Such height raising capability may be utilized within the spine anteriorly, posteriorly, or both and to various extents, respectively to raise the front or back of the implant. More particularly, such implants have upper and lower surfaces of upper and lower portions that in an insertion position are collapsed relative to one another and in a deployed position are spaced further away from one another than in the collapsed position.

Expandable fusion implants offer the advantage of allowing for the placement of a potentially larger implant through a smaller opening in a patient's body. The first expandable spinal fusion (allowing for the growth of bone from vertebral body to vertebral body through the implant) implant was invented by Michelson and also is disclosed in U.S. Pat. No. 5,776,199, filed Jun. 28, 1988, which is hereby incorporated by reference herein.

Expandable interbody spinal fusion implants preferably may be inserted from an anterior approach to the spine, an approach posterior to the vertebral transverse processes, or to either side of the spinal midline in pairs. Such expandable implants are adapted to increase in height at their leading ends or at their trailing ends from a collapsed state to an expanded state for the purpose of increasing spinal lordosis at that interspace. During installation of expandable interbody spinal fusion implants, it is desirable that the surgeon have the ability to precisely control the implant with the appropriate instruments and methods to load the implant with appropriate bone growth promoting material, to insert the implant into the implantation space, to deploy the implant to a final expanded state, and to further load the implant with bone growth material if so desired.

Also known in the art are expandable interbody spinal fusion implants that are circumferentially expandable at one of their leading or trailing ends to expand both the height and the width of the implant. Such implants have an expansion mechanism that is moved from the trailing end through the interior of the implant to reach the leading end to expand the implant. Any bone growth material present within the interior of the implant would be forced out of the interior of the implant by the expansion mechanism passing therethrough. Accordingly, such implants cannot be effectively preloaded with bone growth promoting material prior to expansion of the implant.

There exists a need for a circumferentially expanding implant that is substantially hollow and substantially devoid of any elaborate or substantial space occupying expansion mechanism to permit preloading of the implant with bone growth promoting material prior to expansion of the implant. The expansion mechanism would not interfere with the capacity to compressively load osteogenic material such as bone or any other suitable material through the length of the implant and to have it extrude from the implant. The extrusion of the osteogenic material from the implant provides an increased volume of osteogenic material over a greater surface area of the adjacent vertebral bodies adjacent the disc space to be fused and beyond the surface area of contact of the implant to the vertebral bodies themselves. Surrounding the implant itself with additional fusion promoting substances in contact with the adjacent vertebral bodies may enhance the fusion process.

There also exists a need for instruments and methods for use with expandable interbody spinal fusion implants providing for all of the aforementioned needs individually or in combination.

SUMMARY OF THE INVENTION

Additional objects and advantages of the invention will be set forth in part in the description which follows, and in part will be obvious from the description, or may be learned by practice of the invention. The objects and advantages of the invention will be realized and attained by means of the elements and combinations particularly pointed out in the appended claims.

The present invention is directed to an interbody spinal fusion implant particularly adapted for anterior, posterior, and posterior lateral interbody spinal fusion; and methods and instrumentation for a preferred insertion of these implants.

The present invention implant is adapted to have a generally constant size at one end while allowing for a generally circumferential increase in size at the opposite end. This feature is particularly useful for posterior lumbar interbody fusion and posterior lateral interbody spinal fusion, where it is desirable to have the vertebral bodies spaced apart more anteriorly than posteriorly to restore the lumbar lordosis. The implant is preferably inserted in a generally cylindrical form or more particularly with the opposed surfaces of the implant adapted to contact each of the opposed adjacent vertebral bodies adjacent to the disc space to be fused being generally parallel. Subsequently, the implant is expanded at the leading end so that the opposed vertebral body engaging surfaces of the implant are then in a generally angular relationship to each other over a substantial portion of the length of the implants. The present invention methods and instrumentation in conjunction with the present invention implant allows for the installation of an implant that in its final implanted form is substantially hollow with the exception of an expander ring which is itself preferably hollow so as to not interfere with the full loading of the implant and the extrusion there through of the selected osteogenic material.

In accordance with the purposes of the present invention, as embodied and broadly described herein, an interbody spinal fusion implant is provided for implantation from at least in part a posterior approach at least in part within and across the height of a disc space between two adjacent vertebral bodies of an adult human spine. The implant includes a body having a leading end for insertion first into the disc space, a trailing end opposite the leading end, and a mid-longitudinal axis along the length of the body. The body has an upper portion adapted to contact one of the adjacent vertebral bodies, a

3

lower portion opposite the upper portion adapted to contact another one of the adjacent vertebral bodies, and at least one side portion between the upper and lower portions. Each of the upper, lower, and side portions extend from the trailing end of the body and are spaced apart from one another to form a hollow interior therebetween. The hollow interior is configured to hold at least some bone growth promoting material therein. The upper and lower portions are configured to permit for the growth of bone from adjacent vertebral body to adjacent vertebral body through the body of the implant. Each of the upper, lower, and side portions are configured to move at least in part in a direction away from the mid-longitudinal axis of the body to allow for expansion of the height and at least a portion of the width of the body. The upper, lower, and side portions have a collapsed position relative to one another allowing for a collapsed height and width of the body, and an expanded position relative to one another allowing for an expanded height and width of the body. The expanded height and width of the body is greater than the collapsed height and width of the body, respectively.

The implant also includes an expander positioned at least in part within the hollow interior. The expander is configured to cooperatively engage an instrument adapted to be inserted through the trailing end of the body to engage and to move the expander from a position proximate the leading end when the body is in the collapsed position away from the leading end toward the trailing end of the body to place the body in the expanded position. The expander is adapted to contact and to move the upper, lower, and side portions away from the mid-longitudinal axis of the body. The upper, lower, and side portions of the body are adapted to cooperatively engage the expander to locate the expander at a location along the length of the body between and away from each of the leading and trailing ends and to resist dislodgment of the expander from that location when the implant is in use. The expander is adapted to hold at least a portion of the upper, lower, and side portions apart so as to maintain the expanded height and width of the body and to resist the collapse of the body to the collapsed body height and width when the body is in the expanded position.

In accordance with the purposes of a further embodiment of the present invention, as embodied and broadly described herein, an interbody spinal fusion implant is provided for implantation from at least in part an anterior approach at least in part within and across the height of a disc space between two adjacent vertebral bodies of an adult human spine. The body has a base proximate the leading end, an upper portion adapted to contact one of the adjacent vertebral bodies, a lower portion opposite the upper portion adapted to contact another one of the adjacent vertebral bodies, and at least one side portion between the upper and lower portions. Each of the upper, lower, and side portions extend from the base of the body and are spaced apart from one another to form a hollow interior therebetween. Each of the upper, lower, and side portions are configured to move at least in part in a direction away from the mid-longitudinal axis of the body to allow for expansion of the height and at least a portion of the width of the body. The upper, lower, and side portions have a collapsed position relative to one another allowing for a collapsed height and width of the body, and an expanded position relative to one another allowing for an expanded height and width of the body. The expanded height and width of the body is greater than the collapsed height and width of the body, respectively.

The implant also includes an expander at least in part within the hollow interior. The expander is configured to contact an instrument that is adapted to be inserted through

4

the trailing end of the body to move the expander from a position proximate the trailing end when the body is in the collapsed position away from the trailing end and toward the base of the body to place the body in the expanded position. The expander is adapted to contact and to move the upper, lower, and side portions away from the mid-longitudinal axis of the body. The upper, lower, and side portions of the body are adapted to cooperatively engage the expander to locate the expander at a location along the length of the body between and away from each of the leading and trailing ends and to resist dislodgment of the expander from that location when the implant is in use. The expander is adapted to hold at least a portion of the upper, lower, and side portions apart so as to maintain the expanded height and width of the body and to resist the collapse of the body to the collapsed body height and width when the body is in the expanded position.

In accordance with the purposes of a further embodiment of the present invention, as embodied and broadly described herein, a method of this invention is provided for inserting an interbody spinal fusion implant from at least in part a posterior approach at least in part within and across the height of a disc space between two adjacent vertebral bodies of an adult human spine. The method includes providing the spinal implant having a body with a leading end for insertion first into the disc space, a trailing end opposite the leading end, a mid-longitudinal axis, upper and lower portions, and at least one side portion. Each of the upper, lower, and side portions extend from the trailing end of the body. A hollow interior is between the upper and lower portions. The implant includes an expander for expanding the height and at least a portion of the width of the body. The method includes preparing an implantation space to receive the implant from a posterior approach to the spine; inserting the implant at least in part into the implantation space; and moving the expander from a position proximate the leading end toward the trailing end of the body along at least a portion of the length of the body of the implant to move the upper, lower, and side portions in a direction away from the mid-longitudinal axis of the body of the implant to expand the height and at least a portion of the width of the body of the implant.

In accordance with the purposes of a further embodiment of the present invention, as embodied and broadly described herein, a method of this invention is provided for inserting an interbody spinal fusion implant from at least in part an anterior approach at least in part within and across the height of a disc space between two adjacent vertebral bodies of an adult human spine. The method includes providing the spinal implant having a body with a leading end for insertion first into the disc space, a trailing end opposite the leading end, a mid-longitudinal axis, upper and lower portions, and at least one side portion. Each of the upper, lower, and side portions extend from the leading end of the body. A hollow interior is between the upper and lower portions. The implant includes an expander for expanding the height and at least a portion of the width of the body. The method includes preparing an implantation space to receive the implant from an anterior approach to the spine; inserting the implant at least in part into the implantation space; and moving the expander from a position proximate the trailing end toward the leading end of the body along at least a portion of the length of the body of the implant to move the upper, lower, and side portions in a direction away from the mid-longitudinal axis of the body of the implant to expand the height and at least a portion of the width of the body of the implant.

In accordance with the purposes of a further embodiment of the present invention, as embodied and broadly described herein, an apparatus is provided for inserting at least in part

5

within and across the height of a disc space between two adjacent vertebral bodies of the human spine a spinal implant having upper and lower portions, and an expander for expanding the height and at least a portion of the width of the implant from a collapsed position to an expanded position. The apparatus includes an inserter guide having a leading end and a trailing end. The leading end of the inserter guide is configured to cooperatively engage the trailing end of the implant. The inserter guide has a hollow interior forming a passage from the trailing end to the leading end through the inserter guide. The apparatus also includes a post adapted to be inserted at least in part through the trailing end of the implant and into a hollow interior of the implant for moving the expander along at least a portion of the length of the implant between the upper and lower portions of the implant. The post has a leading end configured to cooperatively engage the expander and a trailing end adapted to be coupled to the implant and cooperatively engage an instrument for moving the post. The apparatus also includes an inner shaft that is configured to be inserted at least in part within the passage of the inserter guide. The inner shaft has a leading end and a trailing end. The leading end of the inner shaft is configured to cooperatively engage the trailing end of the post. The inner shaft is adapted to move the post so as to move the expander toward the trailing end of the implant to expand the height and at least a portion of the width of the implant.

In accordance with the purposes of a further embodiment of the present invention, as embodied and broadly described herein, an apparatus is provided for use with a spinal implant having an expander for expanding the height of the implant from a collapsed position to an expanded position. The implant has a leading end for insertion first into a disc space between two adjacent vertebral bodies of the human spine and a trailing end opposite the leading end. The implant has at least upper and lower portions adapted to be moved away from one another by the expander when positioned therebetween. The apparatus includes an elongated shaft having a leading end and a trailing end opposite the leading end, and a mid-longitudinal axis. The apparatus also includes an enlarged head proximate the leading end of the shaft that is configured to be inserted at least in part between the upper and lower portions of the implant. The enlarged head is adapted to move apart the upper and lower portions to release the expander therebetween. The apparatus also includes a projection extending from the enlarged head that is adapted to cooperatively engage the expander for removal of the expander from within the implant.

In accordance with the purposes of a further embodiment of the present invention, as embodied and broadly described herein, an apparatus is provided for inserting at least in part within and across the height of a disc space between two adjacent vertebral bodies of the human spine a spinal implant having an expander for expanding the height and at least a portion of the width of the implant from a collapsed position to an expanded position. The implant has upper, lower, and side portions including a plurality of arms separated by spaces. The apparatus includes an inserter having a leading end and a trailing end opposite the leading end. The leading end of the inserter guide has a plurality of spaced apart portions that are configured to fit in the spaces between the arms of the spinal implant to cooperatively engage the inserter to the implant.

In accordance with the purposes of yet a further embodiment of the present invention, as embodied and broadly described herein, an apparatus is provided for holding a spinal implant having an expander for expanding the height and at least a portion of the width of the implant from a collapsed

6

position to an expanded position. The implant has upper, lower, and side portions comprising a plurality of arms separated by spaces. The apparatus includes a sleeve having a leading end and a trailing end and a passageway from the trailing end to the leading end. The passageway provides access to the implant through the sleeve. The leading end of the sleeve has a plurality of spaced apart portions that are configured to fit in the spaces between the arms of the spinal implant to cooperatively engage the sleeve to the implant.

In accordance with the purposes of a further embodiment of the present invention, as embodied and broadly described herein, an apparatus is provided for use with a spinal implant having an expander for expanding the height of the implant from a collapsed position to an expanded position. The implant has a leading end for insertion first into a disc space between two adjacent vertebral bodies of the human spine and a trailing end opposite the leading end. The implant has at least upper and lower portions adapted to be moved away from one another by the expander when positioned therebetween. The apparatus includes an elongated shaft having a mid-longitudinal axis, a leading end, and a trailing end opposite the leading end. The leading end has a bore therein and an enlarged head with a collar in movable relationship to the head that permits rotational movement of the head independent of the collar. The collar and the head are configured to be inserted at least in part between the upper and lower portions of the implant. The collar is adapted to bear against and move apart the upper and lower portions of the implant to release the expander therebetween. The apparatus also includes a post that is adapted to be inserted at least in part through the trailing end of the spinal implant for guiding the elongated shaft along the mid-longitudinal axis between the upper and lower portions of the implant. The post has a leading end configured to cooperatively engage the implant and a trailing end that is adapted to be received within the bore of the elongated shaft. The head of the elongated shaft is adapted to rotate about the post.

It is to be understood that both the foregoing general description and the following detailed description are exemplary and explanatory only and are not restrictive of the invention, as claimed.

The accompanying drawings, which are incorporated in and constitute a part of this specification, illustrate the embodiments of the invention and together with the description, serve to explain the principles of the invention.

BRIEF DESCRIPTION OF THE DRAWINGS

FIG. 1 is an exploded perspective view of a spinal fusion implant, radial expander of the implant, and threaded post in accordance with a preferred embodiment of the present invention for posterior insertion into the spine;

FIG. 2 is an assembled trailing end perspective view of the embodiment of FIG. 1;

FIG. 3 is a trailing end elevation view of the embodiment of FIG. 2;

FIG. 4 is a side elevation view of the embodiment of FIG. 2;

FIG. 5 is a leading end elevation view of the embodiment of FIG. 2;

FIG. 6 is a leading end elevation view of a radial expander of the implant of FIG. 1;

FIG. 7 is a side elevation view of the radial expander of FIG. 6;

FIG. 8A is a trailing end elevation view of the radial expander of FIG. 6;

FIG. 8B is a trailing end elevation view of a radial expander incorporating two alternative embodiments in accordance with the present invention;

FIG. 9 is a partial side sectional view of the embodiment of FIG. 2 prior to the implant being radially expanded;

FIG. 10 is a partial side sectional view of the embodiment of FIG. 2 with the implant in partial radial expansion;

FIG. 11 is a partial side sectional view of the embodiment of FIG. 2 with the implant in a radially expanded state;

FIG. 12 is a side elevation view of one embodiment of a driver instrument for inserting the implant of FIG. 1;

FIG. 13 is a distal end view of the driver instrument of FIG. 12;

FIG. 14 is a perspective proximal end view of the funnel-shaped end of the driver instrument of FIG. 12;

FIG. 15 is a side elevation view of one embodiment of a rotating instrument used to rotate the threaded post to move the radial expander to radially expand the implant of FIG. 1;

FIG. 16 is a side elevation view of one embodiment of a plunger instrument for inserting bone growth promoting material into the implant of FIG. 1 and the disc space;

FIG. 17 is a side elevation view of the plunger instrument of FIG. 16 in an extended state;

FIG. 18 is a perspective view of the posterior aspect of a lumbar segment of a spine with the dural sac retracted to the left showing a partial discectomy and an expandable guard with disc penetrating extensions approaching the disc space between the adjacent vertebral bodies with the disc penetrating extensions in an insertion position;

FIG. 19 is a side view of the guard of FIG. 18 being inserted within the spine with the disc penetrating extensions parallel to one another in the insertion position;

FIG. 20 is a side view of the guard of FIG. 18 in the deployed position with the disc penetrating extensions shown in an expanded position to induce angulation of the adjacent vertebral bodies;

FIG. 21 is a side view of the guard of FIG. 18 in the deployed position with the disc penetrating extensions in an expanded position to induce angulation of the adjacent vertebral bodies and in partial cross-section to show a side view of a drill being inserted through the guard;

FIG. 22 is a side view of the guard of FIG. 18 in partial cross-section showing the spinal fusion implant of FIG. 1 and the driver instrument of FIG. 12 passing through the guard to install the implant into a prepared implantation space across the height of the restored disc space and into the adjacent vertebral bodies;

FIG. 23 is a side view of the implant of FIG. 1 in a non-expanded state inserted into the implantation space and the rotating instrument of FIG. 15 passing through the driver instrument of FIG. 12 and guard of FIG. 18 both shown in partial cross section to engage the threaded post;

FIG. 24 is a side view of the implant of FIG. 1 radially expanded in the implantation space via the rotating instrument of FIG. 15 that passes through the driver instrument and guard both shown in partial cross section;

FIG. 25 is a side view of the rotating instrument of FIG. 15 removing the threaded post from the implant of FIG. 1 through the driver instrument and guard both shown in partial cross section;

FIG. 25A is an enlarged fragmentary view along line 25A of FIG. 25 showing the cooperative engagement of the driver instrument and threaded post;

FIG. 26 is a partial side sectional view of the guard and driver instrument with the plunger instrument of FIG. 16 inserted therein and being used to fill the interior of the implant of FIG. 1 with bone growth promoting material;

FIG. 27 is a partial side sectional view of the guard and driver instrument with the instrument of FIG. 16 in an extended state inserted therein for delivering bone growth promoting material beyond the radial expander and to regions of the disc space beyond the leading end of the implant not occupied by the implant;

FIG. 28 is a partial side sectional view of the implant of FIG. 1 in an expanded state with the threaded post being partially threaded into the radial expander;

FIG. 29 is a partial side sectional view of the implant of FIG. 1 with the post partially threaded into the radial expander being advanced toward the leading end of the implant to unseat the radial expander and return the implant to the non-expanded state for posterior extraction of the implant from the implantation space;

FIG. 30 is a side elevation view of one embodiment of a remover instrument used to unlock and remove a seated radial expander from an anterior approach and through the leading end of the implant to place the implant of FIG. 1 into a non-expanded state;

FIG. 31 is a partial side sectional view of the remover instrument of FIG. 30 being used to expand the implant anteriorly to unlock and displace the expander to allow for removal of the implant;

FIG. 32 is a partial side sectional view of the implant shown in FIG. 1 in a non-expanded state with the radial expander being removed from the leading end of the implant by the remover instrument of FIG. 30;

FIG. 33 is an exploded perspective view of a spinal fusion implant, radial expander, and threaded post in accordance with another preferred embodiment of the present invention for anterior insertion into the spine;

FIG. 34 is a side elevation view of the embodiment of FIG. 33;

FIG. 35 is a leading end elevation view of the embodiment of FIG. 33;

FIG. 36 is a trailing end elevation view of the embodiment of FIG. 33;

FIG. 37 is a perspective view of an alternative embodiment of the implant and threaded post of FIG. 33 having two diametrically opposed shortened arms;

FIG. 38 is a perspective view of an alternative embodiment of the implant of FIG. 33 having arms of generally the same length;

FIG. 39 is a trailing end elevation view of the radial expander of FIG. 33;

FIG. 40 is a side elevation view of the radial expander of FIG. 33;

FIG. 41 is a leading end elevation view of the radial expander of FIG. 33;

FIG. 42 is a fragmentary side elevation view of the leading end of one embodiment of a driver instrument for inserting the implant of FIG. 33;

FIG. 43 is a side elevation view of one embodiment of an instrument for holding the implant of FIG. 33 while the radial expander of FIG. 33 is advanced through the interior of the implant;

FIG. 44 is a fragmentary side elevation view in partial cross section of one embodiment of a rotating instrument used to linearly advance the radial expander along the threaded post and into the implant to radially expand the implant of FIG. 33;

FIG. 45 is a fragmentary side elevation view in partial cross section of one embodiment of an instrument for use in removing the post from the implant of FIG. 33;

FIG. 46 is a side elevation view of two adjacent vertebrae and a hollow guard for use in preparing a disc space to receive the implant of FIG. 33;

FIG. 47 is a side elevation view of the adjacent vertebrae and guard of FIG. 46 in partial cross-section and a side view of a drill being inserted through the guard;

FIG. 48 is an exploded side view of the implant of FIG. 33, the instrument of FIG. 42, and an implant receiving space formed across the height of the disc space and the adjacent vertebral bodies shown in partial cross section;

FIG. 49 is a side elevation view of the implant of FIG. 33 in a non-expanded state inserted into the implant receiving space formed across the height of the disc space and two adjacent vertebral bodies in cross section and a fragmentary view of the instrument of FIG. 43 in partial cross section being positioned to engage the arms of the implant with the instrument of FIG. 44 shown in partial cross section being inserted therethrough for cooperative engagement with the post;

FIG. 50 is a side elevation view in partial cross section of the implant of FIG. 33 with the instrument of FIG. 44 in rotational engagement with the post of FIG. 33 moving the radial expander into the implant;

FIG. 51 is a side elevation view in partial cross section of the implant of FIG. 33 with the instrument of FIG. 45 being used to remove the post of FIG. 33 from the implant in the expanded state;

FIG. 52A is a top plan view in partial cross section of a vertebra with two implants of FIG. 33 in an expanded state installed side-by-side into a disc space from an anterior approach with the trailing ends in close proximity to each other and the shortened arms oriented toward the antero-lateral aspects of the vertebral body;

FIG. 52B is a top plan view in partial cross section of a vertebra with two implants of FIG. 33 in an expanded state installed side-by-side into a disc space from an anterior approach with the trailing ends in close proximity to each other in a toed-in orientation and the shortened arms oriented toward the antero-lateral aspects of the vertebral body;

FIG. 53 is a fragmentary top plan view in partial cross section of a vertebra with two implants of FIG. 37 in an expanded state installed side-by-side into a disc space from an anterior approach with the trailing ends in closer proximity to each other than in FIG. 52A;

FIG. 54 is a side elevation view of a preferred embodiment of a remover instrument used to remove an installed radial expander from an implant to collapse the implant of FIG. 33 into a non-expanded state;

FIG. 55 is a partial side sectional view of the implant of FIG. 33 and the instrument of FIG. 54 being used to unlock the radial expander; and

FIG. 56 is a partial side sectional view of the implant of FIG. 33 with the instrument of FIG. 54 being fully deployed in the implant and a hook being used to extract the radial expander from the implant.

DETAILED DESCRIPTION OF THE DRAWINGS

The following description is intended to be representative and not limiting and many variations can be anticipated according to these teachings, which are included within the scope of this inventive teaching. Reference will now be made in detail to the preferred embodiments of this invention, examples of which are illustrated in the accompanying drawings.

FIGS. 1-11 show a preferred embodiment of a radially expandable implant and threaded post used to expand the implant in accordance with the present invention. As shown in FIGS. 1-5, implant 100 preferably is a spinal fusion implant adapted to be installed from at least in part a posterior

approach to the spine into an implantation space formed across the height of a spinal disc and into two adjacent vertebral bodies. Implant 100 has a body with a trailing end 102, a leading end 104 for insertion first into the disc space, and preferably has a hollow interior 103. Leading end 104 is preferably open to permit access to hollow interior 103 of implant 100 through leading end 104. Hollow interior 103 is preferably configured to hold at least some bone growth promoting material therein.

Implant 100 includes at least upper and lower arcuate portions 106a and 106b adapted to be oriented toward and contact adjacent upper and lower vertebral bodies, respectively, and preferably has opposite sides 108a and 108b. Arcuate portions 106a, 106b and sides 108a, 108b include arms 110 that extend from trailing end 102 along at least a part of the length of the implant toward leading end 104. Arms 110 are preferably separated by a space 112. Spaces 112 may be of different lengths and widths and may, for example, be in the shape of a slit, a slot, or any other shape suitable for the intended purpose of spacing apart arms 110. Preferably, spaces 112 permit for the growth of bone from adjacent vertebral body to adjacent vertebral body through the body of implant 100.

As best shown in FIGS. 9-11, arms 110 have an interior surface 114 facing hollow interior 103 of implant 100 configured to bear against and hold a radial expander for forcing apart arms 110 from within hollow interior 103. Preferably, upper portion 106a, lower portion 106b, and at least one of sides 108a, 108b are configured to locate an expander along the length of the body of implant 100 between and away from each of trailing and leading ends 102, 104 and to resist dislodgement of the expander when implant 100 is in use. Interior surface 114 of arms 110 of at least upper and lower arcuate portions 106a, 106b preferably has a ramped portion 116 and seat 118 for receiving an expander 120. Each arm 110 preferably is of such length, thickness, and material to resist rotational torquing forces during rotation of implant 100 while being flexible enough to move in a radial direction away from the mid-longitudinal axis of implant 100 when forced apart from the interior of implant 100. For example, one embodiment of implant 100 has six arms 110, each of which flexes in a radial direction away from the mid-longitudinal axis; thus, each arm 110 moves in a direction different from that of any of the other arms 110 of implant 100. Preferably, each arm 110 is sufficiently resilient so that each arm 110 may be moved away from the mid-longitudinal axis of implant 100 and may be permitted to return to its original orientation if desired without substantial deformation. Examples of preferred materials for arms 110 include, but are not limited to, metals such as titanium and stainless steel, plastics, and carbon fibers among others. Arms 110 may be engineered to have a flexibility and springiness optimal for the stiffness of the area of the spine into which they are to be implanted.

In the expanded position, arms 110 may be at least in part concave along at least a portion of the length of implant 100. A concave configuration of arms 110 provides a desirable springiness and resilience for contacting and supporting the vertebral bodies adjacent implant 100. Although it is preferred to have movable arms 110 spaced around the entire circumference of the implant, the invention is not so limited. By way of example only, one or more arms 110 may be truncated or omitted from a side or sides to limit the expansion of the width of the implant. A preferred embodiment of implant 100 would have at least two arms 110 on each of upper and lower arcuate portions 106a, 106b, each of arms 110 being adapted to be radially expanded in a direction away from the mid-longitudinal axis of implant 100. To accommo-

11

date side-by-side placement of implants, arms 110 may be of different lengths. Implant 100 preferably includes at least one external thread 122 to permit for the rotational insertion of implant 100 into the disc space and between adjacent vertebral bodies a human spine. Although a preferred embodiment of the implant includes threads, the invention is not so limited. For example, the exterior of implant 100 may include other bone engaging surfaces such as projections, splines, knurling, ratchets, or other surface roughenings to resist expulsion of the implant from the implantation space after implantation.

As shown in FIGS. 1-4, trailing end 102 preferably is configured to cooperatively engage a driver 300 shown in FIG. 12 used to install implant 100 into the disc space. For example, trailing end 102 may include truncated sides 124 for cooperatively engaging flanges 310 of driver 300 and recesses 126a and 126b for engaging pins 312a and 312b, respectively, of driver 300. Trailing end 102 of implant 100 has an opening 128 sized for receiving a post 200 for engagement with radial expander 120.

Post 200 is configured to be inserted into implant 100 through trailing end 102. Post 200 preferably has a shaft 202 with at least one thread 204 and a head 206. Head 206 includes a tool engagement area 208 for cooperatively engaging a tool used for inserting and removing post 200 from implant 100. Area 208 is shown as having a hex-shaped engagement surface, but it is understood that area 208 may have any configuration suitable for its intended purpose. The distal end of post 200 passes through opening 128 of implant 100 and extends into the interior of implant 100 to engage radial expander 120. Thread 204 is adapted to cooperatively engage radial expander 120 to move radial expander toward trailing end 102 of implant 100 and force arms 110 apart to expand implant 100. Shaft 202 may be at least in part smooth to permit movement of shaft 202 within opening 128 without engagement to opening 128.

As shown in FIGS. 6-8A, radial expander 120 is configured to be inserted at least in part within hollow interior 103 of implant 100. Expander 120 preferably has a leading face 130 adapted to be oriented toward trailing end 102 of implant 100 and an opposite trailing face 132 adapted to be oriented toward leading end 104 of implant 100 when inserted within hollow interior 103 of implant 100. A preferred radial expander 120 has an opening 134, guide pegs 136, and a rim 138 adapted to bear against interior surface 114 of arms 110. Radial expander 120 is preferably at least in part circular or may have any other configuration suitable for its intended purpose. Opening 134 is preferably threaded to cooperate with thread 204 of post 200 to move radial expander 120 toward trailing end 102 of implant 100. Although threaded rotational engagement is preferred for moving radial expander 120, the invention is not so limited. For example, post 200 may be configured to engage radial expander 120 with a retractable flange or projection and pull expander 120 into position to expand arms 110. Preferably, expander 120 has a fixed shape.

Guide pegs 136 of radial expander 120 are adapted to fit within spaces 112 such that as post 200 is rotated, radial expander 120 advances in a linear direction away from leading end 104 towards trailing end 102 of implant 100. Pegs 136 prevent substantial rotation of radial expander 120 during rotation of post 200. Although two guide pegs 136 are shown extending from radial expander 120, the number and shape of pegs 136 may be varied as suitable for their intended purpose.

FIG. 8B shows a radial expander 120' incorporating two alternative embodiments in accordance with the present invention. Radial expander 120' is adapted to selectively expand the height of implant 100 and to limit or prevent the

12

expansion of the width of implant 100. The configuration of radial expander 120' provides for the selective movement of one or more arms 110 away from the mid-longitudinal axis of implant 100 as radial expander 120' is advanced into implant 100. For example, radial expander 120' may have one or more truncated sides 135 to form a reduced width portion of radial expander 120'. Truncated side 135 is preferably configured to avoid contact with the interior surface 114 of arms 110 adjacent truncated side 135 and is preferably configured to clear interior surface projections such as, for example, ramp 116 of arm 110 during the advancement of radial expander 120' toward leading end 102. Instead of truncated side 135, radial expander 120' may include a groove 137 configured to receive at least a portion of an arm 110 adjacent thereto. In its preferred use, at least the upper and lower portions of rim 138 of radial expander 120' bear against the interior surface 114 of arms 110 to expand the height of implant 100 so as not to induce expansion of any arm or arms 110 adjacent truncated side 135 or groove 137, as the case may be. The expansion of the implant may be controlled by the interaction of the radial expander and arms of the implant to expand the width to only one side or to expand both sides by different amounts and involve one or more arms on a side of the implant. It is appreciated that other configurations of radial expander 120' are possible to achieve its intended purpose without departing from the scope of the present invention.

FIG. 9 shows implant 100 in a collapsed state. After insertion into the disc space, post 200 is rotated, causing radial expander 120 to travel within the interior of implant 100 from a position proximate leading end 104 toward trailing end 102. Pegs 136 travel within space 112 and can contact the sides of arms 110 to limit rotation of radial expander 120 during rotation of post 200.

FIG. 10 shows rim 138 of radial expander 120 moved along interior surface 114 of implant 100 after post 200 is initially rotated, and shows rim 138 in contact with ramp portions 116 of implant 100. Movement of radial expander 120 away from leading end 104 along ramp portions 116 forces arms 110 to move away from the mid-longitudinal axis of implant 100 and toward the adjacent vertebral bodies.

As shown in FIG. 11, continued rotation of post 200 causes radial expander 120 to traverse ramp portions 116 and enter seat 118 of implant 100. The entrance to seat 118 is narrower than the remainder of seat 118 to prevent radial expander 120 from backing-out. Radial expander 120 is further held into place within seat 118 by arms 110. The sloped sides of seat 118 form an inclined plane that inhibits movement of radial expander 120 toward leading end 104 of implant 100. With radial expander 120 seated in seat 118, arms 110 are forced apart at a greater distance as measured from leading end 104 to the mid-longitudinal axis than from trailing end 102 to the mid-longitudinal axis to place implant 100 into an expanded state. After implant 100 is in the expanded state, post 200 can be removed from implant 100 by rotation in the opposite direction, and radial expander 120 remains in seat 118 to maintain the expanded height and width of implant 100.

FIGS. 12-14 show an implant driver 300 for inserting implant 100 into a disc space. Implant driver 300 has a shaft 302, a distal end 304, and a proximal end 306. Shaft 302 is preferably hollow and is adapted to permit the passage of other instruments therethrough as described below. Distal end 304 includes an implant engaging head 308 with flanges 310, pins 312a, 312b, and an opening 314. Implant engaging head 308 is sized and shaped to cooperatively engage an implant to hold and manipulate the implant during insertion into the disc space. Proximal end 306 includes a handle 316 for rotational and linear advancement of driver 300. Proximal end 306

13

preferably has a funnel-shaped opening **318** passing through shaft **302** and expanding through distal end **304**. Funnel-shaped opening **318** is preferably configured as shown in FIG. **14** to facilitate the introduction of bone growth promoting material into shaft **302**. Funnel-shaped opening **318** is preferably sized and shaped to receive other instruments there-through, such as plunger **500** described in association with FIGS. **16** and **17** below.

FIG. **15** shows a rotating tool **400** for engaging and rotating post **200**. Rotating tool **400** has a distal end **402** and a proximal end **404**. Distal end **402** has a tip **406** adapted to cooperatively engage area **208** of post **200**. In a preferred embodiment, tip **406** is hex-shaped, but may be of any shape suitable to engage post **200**. Tip **406** is preferably adapted to engage area **208** of post **200** such that upon the disengagement of post **200** from implant **100**, rotating tool **400** can withdraw post **200** through shaft **302** of driver **300**. In order to facilitate the removal of post **200** such that post **200** and rotating tool **400** may be removed together, tip **406** may be adapted to cooperatively engage with area **208**, for example, via an interference fit, detent, or retractable spring flange. Proximal end **404** is preferably configured to engage a handle and has a stop **408**. Proximal end **404** is preferably adapted to engage with a mechanical or manual device for rotating shaft **410**.

FIGS. **16** and **17** show a plunger instrument for inserting bone growth promoting material into implant **100** and into the surrounding disc space. Plunger **500** preferably has an outer shaft **502**, an inner rod **504**, and a handle **506**. Inner rod **504** preferably has a proximal end configured to engage a handle, such as a T-handle for example, and a stop **508** for limiting the travel of inner rod **504** when placed within outer shaft **502**. In use, plunger **500** may be inserted into an instrument adapted to deliver bone growth promoting material into implant **100** such as driver **300**. Plunger **500** and driver **300** together may be placed within a guard such as guard **600** of FIG. **18** to introduce bone growth promoting material into hollow interior **103** of implant **100** and preferably the disc space surrounding the implant.

In a preferred embodiment, bone growth promoting material is introduced into hollow interior **103** of shaft **302** of driver **300** through funnel-shaped opening **318**. Plunger **500** with inner rod **504** inserted therein, may be inserted into the interior of driver **300** to push bone growth promoting material therethrough and into the implant. Plunger **500** and inner rod **504** may further move bone growth promoting material into the remaining areas inside and around the implant not yet filled with bone growth promoting material.

Plunger **500** preferably has a clamp **510** and stop **508** to limit the extension of inner rod **504** from outer shaft **502**. Stop **508** may have any configuration adapted to limit the travel of inner rod **504**, for example, a shoulder, flange, or other projection. Although it is preferred that inner rod **504** is solid, the invention is not so limited. Clamp **510** in the tightened position holds inner rod **504** in fixed relationship to outer shaft **502** and preferably so as not to extend from the distal end of shaft **502**. When clamp **510** is released, inner rod **504** is permitted to travel beyond the distal end of outer shaft **502** to the extent limited by stop **508**.

FIGS. **18-30** show various steps of a preferred method for inserting implant **100** and using associated instrumentation disclosed herein.

FIG. **18** is a perspective view of a segment of a spine viewed from a posterior aspect with the dural sac retracted to the left showing that a partial discectomy has already been performed. Guard **600**, with disc penetrating extensions **602**, **604** and window **606**, is shown approaching the disc space

14

between the adjacent vertebral bodies with disc penetrating extensions **602**, **604** in a first or insertion position.

It is appreciated that various types of guards may be used to provide protected access to the disc space including, but not limited to, those taught by Michelson in application Ser. Nos. 10/085,731 and 10/085,406; and U.S. Pat. Nos. 5,015,247; 5,484,437; 6,080,155; and 6,210,412 all of which are incorporated herein by reference.

An impaction cap **608** is positioned on the proximal end of guard **600** to maintain it in the open position such that the disc penetrating extensions are closed into the insertion position. In this position, guard **600** is ready to be placed or driven into the disc space between the adjacent vertebral bodies.

In FIG. **19**, the extensions of guard **600** are fully inserted into the spine with the disc penetrating extensions parallel to one another in the insertion position. Impaction cap **608** is shown holding the guard in the open position and the disc penetrating extension in the insertion position. Guard **600** rotationally articulates to permit movement of disc penetrating extensions **602**, **604** in response to movement of a first portion **610** and a second portion **612** relative to one another. The rotational articulation preferably occurs about a hinge **614**, which is preferably formed in first and second portions **610**, **612**.

In FIG. **20**, guard **600** is shown in a closed position with the disc penetrating extensions shown in the inserted position to induce lordosis to the vertebral bodies. After closing guard **600**, the proximal end has a lock collar **616** placed around it to maintain guard **600** in the closed position.

In FIG. **21**, guard **600** is in a closed position with disc penetrating extensions **602**, **604** in the inserted position to induce angulation to the adjacent vertebral bodies. At the distal end of guard **600** shown in cross-section is a side view of a bone removal device such as a drill **700** being inserted through guard **600**. It is appreciated that other bone removal devices suitable for the intended purpose such as, but not limited to, burrs, reamers, mills, saws, trephines, chisels, and the like may also be used and would be within the scope of the present invention. Guard **600** provides protected access to the disc space and the adjacent vertebral bodies for drill **700** via the elongated opening in guard **600**.

Drill **700** may have a reduced diameter-cutting portion relative to the shaft diameter of guard **600** or may be inserted through an inner sleeve that passes into guard **600** to guide drill **700** to form an implantation space smaller than the passage through guard **600**. Thus, the guard opening may be taller than the height of the cutting portion of drill **700**. Such a taller opening also allows the implantation of an implant taller than the height of the cutting portion of drill **700**.

As best shown in FIG. **22**, implant **100** and implant driver **300** may be passed through guard **600** to insert implant **100** in a collapsed position into the disc space between the adjacent vertebral bodies. The guard may be left in place throughout the procedure. Implant **100** is assembled with post **200** inserted through trailing end **102** of implant **100** to engage radial expander **120** inserted in the collapsed position into hollow interior **103** of implant **100** through leading end **104**. Radial expander **120** in this position may bear against the interior surface **114** of arms **110** but does not yet force arms **110** apart so that implant **100** is in a non-expanded state. Implant **100** is preferably rotated into the disc space such that thread **122** penetrably engages the bone of the adjacent vertebral bodies.

As illustrated in FIG. **23**, after implant **100** is installed in the desired position in the implantation space between the adjacent vertebral bodies with opposed arcuate portions **106a** and **106b** oriented toward the adjacent vertebral bodies, rotat-

15

ing tool **400** is used to engage and rotate post **200** so as to pull radial expander **120** away from leading end **104** and toward trailing end **102** along the interior surface **114** of arms **110** to transition implant **100** from a collapsed position to an expanded position.

As shown in FIG. **24**, as rotating tool **400** is rotated, radial expander **120** moves toward trailing end **102** of implant **100** causing arms **110** to move radially outward away from the mid-longitudinal axis of implant **100**. The interaction between radial expander **120** and arms **110** is best shown in FIGS. **9-11**. The radial expansion of implant **100** results in a greater implant height and width proximate leading end **104** than the implant height and width proximate trailing end **102**. Upper and lower arcuate portions **106a**, **106b** are positioned in angular relationship to each other and position the vertebral bodies adjacent implant **100** in an angular relationship to each other.

As shown in FIGS. **25** and **25A**, after implant **100** is in the expanded state, post **200** is removed by rotating tool **400** from implant **100**. Rotating tool **400** is adapted to cooperatively engage tool engagement area **208** of post **200**. The leading end of rotating tool **400** may be tapered to allow the tip of tool **400** to slightly bind and positively engage tool engagement area **208**. Radial expander **120** remains seated within hollow interior **103** of implant **100** to hold arms **110** in a radially expanded state.

FIGS. **26** and **27** show a preferred method for insertion of bone growth promoting materials into implant **100** and the disc space surrounding implant **100**. Driver **300** is shown inserted into guard **600** with its distal end adjacent to and in communication with opening **128** of implant **100** to access hollow interior **103** of implant **100**. Bone growth material is introduced into funnel shaped end **318** of driver **300**. Plunger **500** with inner rod **504** in the retracted position is used to push and load the bone growth promoting material through shaft **302** of driver **300** and into implant **100**. Sufficient bone growth promoting material is introduced into driver **300** to at least partially fill implant **100**. Alternatively, the implant may be pre-loaded with bone growth promoting material prior to its insertion into the implantation space. Additional bone growth material may be added to fill any space within the implant created as a result of transitioning implant **100** to an expanded position as described below.

As shown in FIG. **27**, after the implant is at least partially filled with bone growth promoting material, inner rod **504** is moved forward in the extended position into implant **100** through opening **128** of trailing end **102** to push the bone growth promoting material in its path through opening **134** of radial expander **120**. Distributing bone growth promoting material beyond radial expander **120** fills the interior of implant **100** proximate leading end **104** and introduces bone growth promoting material further into the disc space beyond leading end **104** and unoccupied by implant **100**. After inner rod **504** is retracted from within the interior of implant **100** and plunger **500** is removed from driver **300**, additional bone growth promoting material may be inserted into driver **300**. Plunger **500** then may be used to fill the space left unoccupied by the removal of inner rod **504** with bone growth promoting material and further pack bone growth promoting material into implant **100**. After filling implant **100** and the surrounding disc space with bone growth promoting material, plunger **500** and driver **300** are removed from guard **600**. The trailing end of guard **600** is then opened to return disc penetrating extensions **602**, **604** to the closed position to facilitate the removal of guard **600** from the disc space.

FIGS. **28-32** show a preferred remover and methods of disengaging radial expander **120** from seat **118** of implant **100**

16

if it is desired to uninstall implant **100** or other implants of the present invention designed for a generally posterior insertion. FIG. **28** shows post **200** being partially threaded into a seated radial expander **120** by rotating tool **400** such that a portion of post **200** extends from trailing end **102** of implant **100**. As shown in FIG. **29**, post **200** may then be advanced in a linear direction without substantial rotation toward leading end **104** of implant **100** such as, for example, with an impaction force. The linear advancement of post **200** toward leading end **104** moves expander **120** out of seat **118** and toward leading end **104**. This allows the implant arms to collapse inward to the unexpanded state, thereafter allowing the implant to be unthreaded or otherwise removed from the spine. The implant holder may be attached prior to collapsing the implant or thereafter. With expander **120** removed from the interior of implant **100**, arms **110** are no longer held in a radially expanded position, thereby causing implant **100** to collapse to an unexpanded state.

With reference to FIGS. **30-32**, in certain circumstances, for example, where it may be desirable to revise an instrumentation and to access implant **100** from an anterior aspect of the spine, radial expander **120** may be removed from the leading end **104** (oriented near the anterior aspect of the space) of implant **100**. FIG. **30** shows a remover **800** for removing radial expander **120** from hollow interior **103** of implant **100** through leading end **104**. Remover **800** has a shaft **802**, a distal end **804**, and a proximal end **806**. Distal end **804** has a threaded rod **808** and an enlarged head **810** with a diameter configured to enter hollow interior **103** of implant **100** in a radially expanded state and force apart arms **110**. Proximal end **806** is preferably configured to be attached to a removable handle for rotating remover **800**.

Threaded rod **808** of remover **800** threads into radial expander **120** causing forward movement of remover **800** toward leading end **104** of implant **100**. As remover **800** moves toward leading end **104**, enlarged head **810** contacts interior surface **114** of arms **110**, forcing arms **110** to move outward and further away from the mid-longitudinal axis of implant **100**. This movement in turn causes seat **118** to expand outward opening the entrance to seat **118**, thus permitting radial expander **120** to be removed from seat **118** of implant **100**. FIG. **32** shows remover **800** removing radial expander **120** from seat **118** to return arms **110** to their initial non-expanded position. The implant may then be removed from the implantation site if desired.

The method of the present invention may also be performed from an anterior approach to the spine. FIGS. **33-56** show various embodiments of an implant **900** for insertion from at least in part an anterior approach to the spine as well as instruments and the associated method for inserting and removing implant **900**. Implant **900** is similar to implant **100**, with certain differences noted below. As shown in FIGS. **33-36**, implant **900** has an open trailing end **902**, a leading end **904** shown closed in this embodiment, a base **905** proximate the leading end, and a shortened arm **909** and lengthened arms **910** extending from base **905**. FIG. **37** shows an alternative embodiment of implant **900** having two opposed shortened arms **909** and lengthened arms **910**. Shortened arms **909** are preferably located on at least one side of implant **900** when two implants are inserted side-by-side as shown in FIGS. **52A**, **52B**, and **53**. Shortened arms **909** provide for a reduced diameter of trailing end **902** such that trailing end **902** does not substantially protrude from the disc space to minimize the risk of interference with delicate vascular and neurological structures present adjacent to the disc space. Shortened arms **909** also permit two implants **900** in an expanded state to be placed side-by-side in close proximity to each other in the

17

disc space. Although a combination of shortened arms **909** and lengthened arms **910** is preferred, the invention is not so limited. For example, in situations where the surgeon determines it is appropriate, implant **900** may have arms **910** of generally equal length as shown in another alternative embodiment of implant **900** in FIG. **38**.

The interaction between radial expander **920** and the interior surface of arms **909**, **910** is similar to that between radial expander **120** and arms **110** (described in relation to FIGS. **9-11**) except that unlike the interior surface of arm **110**, shortened arms **909** have a notched area **917** that functions to hold the radial expander **920** in seat **918** and maintain shortened arms **909** in a radially expanded state when radial expander **920** is seated in seats **918** of lengthened arms **910**.

In implant **900** a post **1000** is inserted through the trailing end **902**. Leading end **904** preferably has a threaded opening **928** for threadably engaging post **1000**. Post **1000** has a shaft **1002** with a first thread **1004** for cooperative engagement with a tool **1300** shown in FIG. **44** for pushing or otherwise moving radial expander **920** away from trailing end **902** and toward base **905** proximate leading end **904** of implant **900**. Post **1000** has a head **1006** with a tool engagement area **1008** that is preferably hex-shaped to engage a post remover **1400** shown in FIG. **45**, and a second thread **1010** shown in FIGS. **50, 51** at the end opposite head **1006** for cooperative engagement with threaded opening **928** in leading end **904** of implant **900**.

As an alternative to using a post with a threaded end for engagement with the leading end of the implant, a post may be used having a leading end with a retractable flange or other projection for cooperative engagement with the leading end of the implant. Such a post may then be used to rotate the radial expander into position in a fashion similar to that described with reference to FIGS. **23** and **24**. Once the radial expander is seated, the flanges or other projections may be retracted, and the post may then be withdrawn.

As shown in FIGS. **33** and **39-41**, radial expander **920** is similar to radial expander **120** shown in FIGS. **6-8**. Opening **934** of radial expander **920** is preferably unthreaded. A threaded opening is not essential since radial expander **920** is moved by rotating tool **1300** and not by post **1000**, described in more detail below.

FIG. **42** shows an implant driver **1100** for inserting implant **900** into a disc space. Driver **1100** has a shaft **1102** and a distal end **1104**. Distal end **1104** preferably has an implant engaging head **1108** with flanges **1110** spaced apart by recessed areas and a bore **1120**. Implant engaging head **1108** is preferably sized and shaped to cooperatively engage trailing end **902** of implant **900** for insertion into the disc space. Implant engaging head **1108** preferably is tapered to facilitate insertion into the interior of implant **900** and to facilitate the placement of flanges **1110** into spaces **912**. Arms **909**, **910** fit into recessed areas between flanges **1110**. In this position, driver **1100** is engaged to implant **900** and can rotate implant **900**. Bore **1120** is preferably configured to receive post **1000** so that driver **1100** may insert implant **900** with post **1000** already attached thereto.

FIG. **43** shows an implant holder **1200** for holding implant **900** in a stable position while one or more tools, for example rotating tool **1300**, engages with post **1000** to move radial expander **920** toward leading end **904**. Implant holder **1200** has a distal end **1202**, a proximal end **1204**, a shaft **1206** therebetween, and a handle **1208**. Distal end **1202** preferably has a plurality of flanges **1210** that are configured for engagement with spaces **912** between arms **909**, **910**. Shaft **1206** is preferably hollow and sized to accommodate the passage of tools therethrough, for example, rotating tool **1300**. Flanges

18

1210 are adapted to fit in spaces **912** between arms **909**, **910** to hold implant **900**. Rotating tool **1300** is used to rotate post **1000** to move radial expander **920** while implant **900** is held stable by holder **1200** to resist the rotational forces bearing upon post **1000**.

FIG. **44** shows rotating tool **1300** for advancing radial expander **920** away from trailing end **902** and toward base **905** proximate leading end **904**. Rotating tool **1300** has a distal end **1302** and a shaft **1310**. Distal end **1302** has a bore **1312** with a thread **1314** adapted to cooperatively engage with first thread **1004** of post **1000**. Bore **1312** preferably has an unthreaded portion at its leading end that permits rotating tool **1300** to move over a portion of post **1000** such as post head **1006** prior to engagement of the thread. As tool **1300** is rotated onto post **1000**, distal end **1302** bears against radial expander **920** to advance radial expander **920** into implant **900**. After radial expander **920** is seated into seat **918**, rotating tool **1300** is unthreaded from post **1000** and removed from implant **900**.

FIG. **45** shows a post remover **1400** for removing post **1000** after radial expander **920** has been seated in seat **918** of implant **900**. Post remover **1400** has a shaft **1402** and a distal end **1404**. Distal end **1404** has a bore **1406** with a post engagement surface **1408** that is preferably hex-shaped to cooperatively engage with tool engagement area **1008** of post **1000**. Post remover **1400** removes post **1000** from implant **900** by unthreading post **1000** from opening **928** in leading end **904** of implant **900**.

FIGS. **46-51** show various steps of a preferred method for inserting implant **900** from an anterior approach to the spine and using associated instrumentation disclosed herein.

FIGS. **46** and **47** show insertion of a guard **1600** with disc penetrating extensions **1602** into the disc space and the use of drill **700** to prepare the disc space for implantation. Disc penetrating extensions **1602** need not be but are preferably angled to place the adjacent vertebral bodies in angular relationship to each other. As taught in U.S. Pat. No. 6,080,155 to Michelson incorporated by reference herein, the guard may have one or more extensions of any size or shape suitable for the intended purpose and one or more bores which could, but need not, be in part overlapping. It is understood that the use of such a guard is only preferred and not required. The guard may be of any type suitable for the purpose of providing protected access while the disc space is prepared and during implantation including, but not limited to, the guards incorporated by reference above.

In FIG. **48**, drill **700** and guard **1600** are withdrawn and driver **1100** is used to insert implant **900** into the prepared disc space. In this example, implant **900** is rotatably inserted so that thread **922** penetrably engages the bone of the adjacent vertebral bodies. At the option of the surgeon, guard **1600** may be left in place throughout the whole procedure, the procedure then being carried out through the hollow shaft of guard **1600**. Additionally, implant **900** may be installed without first installing post **1000** into implant **900**. However, it is preferred that post **1000** is installed in implant **900** before implant **900** is installed into the disc space.

As illustrated in FIG. **49**, radial expander **920** is moved onto post **1000** and implant holder **1200** is moved into position. After flanges **1210** of implant holder **1200** are engaged with arms **909**, **910** of implant **900**, rotating tool **1300** is inserted through the interior of shaft **1206** so that threaded bore **1302** of rotating tool **1300** cooperatively engages first thread **1004** of post **1000**. As shown in FIG. **50**, after rotating tool **1300** and post **1000** are rotationally engaged, continued rotation of rotating tool **1300** linearly forces radial expander **920** away from trailing end **902** and to bear against the interior

19

surfaces of arms **909, 910**, causing arms **909, 910** to be forced away from the mid-longitudinal axis of the implant as described above in relation to implant **100** and FIGS. **9-11**.

As shown in FIG. **51**, after radial expander **920** is seated into seat **918** and implant **900** is placed in an expanded state, post remover **1400** is used to engage head **1006** of post **1000**. Rotating post remover **1400** disengages post **1000** from threaded opening **928** of implant **900**, allowing post **1000** to be withdrawn through opening **934** of radial expander **920** and from the interior of the implant.

FIGS. **52A, 52B**, and **53** show two implants **900** in a radially expanded state placed in close proximity to one another within the perimeter of a disc space **D**. In FIG. **52A** and **52B**, implants **900** of FIG. **33** are preferably positioned such that shortened arms **909** face the antero-lateral aspect of the vertebral bodies such that the structure of each implant is kept substantially within the disc space to minimize the risk of interference with delicate vascular and neurological structures present adjacent to the disc space. In FIG. **52B**, implants **900** are oriented toward each other in a toed-in configuration permitting the implants to be closer to each other in a side-by-side placement. Such placement permits the use of larger implants to better fill the disc space than may be possible with implants positioned parallel to each other.

In FIG. **53**, two implants **900** of FIG. **37**, each having opposed shortened arms **909**, are preferably placed such that the mid-longitudinal axis of each implant are in closer proximity to one another than the embodiment shown in FIG. **52A**. Closer placement is made possible, by way of example only, by positioning each implant such that shortened arms **909** face each other within the disc space. Additionally, the size of thread **922** may be reduced towards trailing end **902** so that trailing end **902** has a reduced thread portion **923** to minimize contact with the thread of an adjacent implant. Such an orientation permits greater expansion to occur without a lengthened arm from one implant crossing the lengthened arm of an implant adjacent thereto. In all the embodiments described herein, it should be apparent that a number of arrangements of shortened and/or lengthened arms are possible and all within the broad scope of the present invention.

FIGS. **54-56** show a preferred remover and methods of disengaging radial expander **920** from seat **918** of implant **900** if it is desired to uninstall implant **900**. FIG. **54** shows a remover **1500** for removing radial expander **920** from hollow interior **903** of implant **900** through trailing end **902**. Remover **1500** has a shaft **1502** and a distal end **1504**. Distal end **1504** has a bore **1514** with a thread **1516** that is configured for cooperative engagement with first thread **1004** of post **1000**, a collar **1518** with an outer diameter slightly smaller than the diameter of hollow interior **903** of implant **900** in a radially expanded state, and a bearing **1520** that allows remover **1500** to rotate relative to collar **1518**. Bore **1514** preferably has an unthreaded portion at its leading end that permits remover **1500** to move over a portion of post **1000** prior to rotational engagement.

As shown in FIGS. **55** and **56**, threaded bore **1514** of remover **1500** threads onto post **1000** causing forward movement of remover **1500** into trailing end **904** of implant **900**. As remover **1500** moves into trailing end **904**, collar **1518** contacts arms **909, 910**, forcing arms **909, 910** to move outward away from the mid-longitudinal axis of the implant. This movement in turn causes seat **918** to expand outward to release radial expander **920**, thus permitting radial expander **920** to be removed from implant **900**.

FIG. **56** shows an instrument, for example a hook **1700**, for removing radial expander **920** from implant **900** to return arms **909, 910** to their initial or non-expanded position.

20

The implants described herein preferably have a generally circular cross section transverse to the mid-longitudinal axis of the implant. In the collapsed position, the implants may have a generally cylindrical configuration or may be in the shape of a cylinder with at least a portion of a side removed. The implants may be tapered from trailing end to leading end and may have a generally frusto-conical configuration in the collapsed position to facilitate insertion into the implantation space.

In another embodiment, in the expanded position, the implants described herein may have a leading end or a trailing end tapered at an angle that matches the angle of the upper, lower, and side portions in the expanded position.

The radially expandable spinal fusion implant may include, be made of, treated, coated, filled, used in combination with, or have a hollow for containing artificial or naturally occurring materials and/or substances suitable for implantation in the human spine. These materials and/or substances include any source of osteogenesis, bone growth promoting materials, bone, bone derived substances or products, demineralized bone matrix, ossifying proteins, bone morphogenetic proteins, hydroxyapatite, genes coding for the production of bone, and bone including, but not limited to, cortical bone. The implant can also be formed of an artificial material stronger than bone such as metal including, but not limited to, titanium and its alloys, surgical grade plastics, plastic composites, ceramics, or other materials suitable for use as a spinal fusion implant. The implant can include at least in part of materials that are bioabsorbable and/or resorbable in the body such as bone and/or bone growth promoting materials. The implant of the present invention can be formed of a porous material or can be formed of a material that intrinsically participates in the growth of bone from one of adjacent vertebral bodies to the other of adjacent vertebral bodies. Where such implants are for posterior implantation, the trailing ends of such implants may be treated with, coated with, or used in combination with chemical substances to inhibit scar tissue formation in the spinal canal. The implants of the present invention may be adapted to facilitate the electrostimulation of the fusion area into which they are inserted and the proximate bone thereabout. The implant of the present invention may be modified, or used in combination with materials to make it antibacterial, such as, but not limited to, electroplating or plasma spraying with silver ions or other substance. At least a portion of the implant may be treated to promote bone ingrowth between the implant and the adjacent vertebral bodies. The implant of the present invention may be used in combination with spinal fixation hardware, bone screws, plates, rods, tethers of synthetic chords or wires.

Although various embodiments of the present invention have been disclosed, they are but preferred embodiments for the purpose of illustration by example and not limitation. It should be understood that any modifications of these teachings as would be known to one of ordinary skill in the art are anticipated and within the scope of the present inventive teachings.

What is claimed is:

1. An orthopedic implant for implantation at least in part between two adjacent bone masses, said implant comprising:
 - a body having a leading end, a trailing end opposite said leading end, a mid-longitudinal axis, and a length between said leading and trailing ends of said body, said body having a mid-point bisecting the length of said body, said body having a first side portion adapted to contact one of the adjacent bone masses, a second side portion opposite said first side portion adapted to contact another one of the adjacent bone masses, and at least a

21

third side portion between said first and second side portions, each of said first, second, and third side portions extending from said trailing end of said body and being spaced apart from one another to form a hollow interior therebetween, said hollow interior being configured to hold at least some bone growth promoting material therein, each of said first, second, and third side portions configured to move at least in part in a direction away from the mid-longitudinal axis of the body allowing for expansion of said body in at least three directions, said first, second, and third side portions having a collapsed position and an expanded position; and

an expander at least in part within said hollow interior, said expander configured to cooperatively engage an instrument adapted to be inserted through said trailing end of said body to engage and to move said expander from a position proximate said leading end when said body is in the collapsed position away from said leading end and toward said trailing end of said body to place said body in the expanded position, said, expander adapted, to contact and to move said first, second, and third side portions away from the mid-longitudinal axis of said body, said first, second, and third side portions of said body adapted to cooperatively engage said expander to locate said expander at a fixed position along the length of said body, said fixed position being closer to the mid-point of said implant than to said leading end of said implant, said first, second, and third side portions of said body adapted to resist dislodgment of said expander from that location when said implant is in the expanded position, said expander adapted to hold at least a portion of said first, second, and third side portions apart so as to maintain the expanded position of said body and to resist the collapse of said body to the collapsed position when said body is in the expanded position, when said body is in the expanded position said hollow interior being substantially unobstructed by any mechanism to move said expander so as to permit growth of bone through a portion of said hollow interior between said expander and said trailing end and through a portion of said hollow interior between said expander and said leading end of said body.

2. The implant of claim 1, wherein said expander includes a threaded opening for threadable engagement with said instrument used to move said expander from an initial position to a final position to place said body in the expanded position.

3. The implant of claim 1, wherein each of said first, second, and third side portions are configured to permit said expander to seat therein in at least said expanded position.

4. The implant of claim 1, wherein at least a portion of said first, second, and third side portions are separated by a space, said expander includes at least one guide peg extending therefrom and configured to be placed in said space between at least a portion of at least one of said first, second, and third side portions.

5. The implant of claim 1, wherein at least one of said first, second, and third side portions comprises a plurality of arms separated from one another at least in part by a space, said space being at least one of an opening, slit, and slot.

6. The implant of claim 5, wherein said arms are of different lengths.

7. The implant of claim 5, wherein said arms are aligned parallel with the mid-longitudinal axis of said body in the collapsed position.

22

8. The implant of claim 1, wherein at least one of said first, second, and third side portions has an interior surface, at least a portion of said interior surface forming a ramp adapted to contact said expander.

9. The implant of claim 1, wherein at least one of said first, second, and third side portions has an interior surface, at least a portion of said interior surface forming a seat adapted to receive and locate said expander along the length of said body.

10. The implant of claim 1, wherein at least one of said first, second, and third side portions is sufficiently resilient so as to bend to be moved away from said mid-longitudinal axis of said body.

11. The implant of claim 1, wherein said first, second, and third side portions when said implant is in the collapsed position form a generally cylindrical shape.

12. The implant of claim 1, further in combination with said instrument, said instrument including a post adapted to be inserted at least in part within said hollow interior of said body for moving said expander along at least a portion of the length of said body between said first and second side portions of said implant, said post having a shaft with a first end adapted to be coupled to one of said leading and trailing ends of said body and a second end opposite said first end configured to cooperatively engage a tool used for inserting said post into said body.

13. The implant of claim 12, wherein said shaft is at least in part threaded and said expander has a threaded opening configured to threadably engage said shaft so that rotation of said post within said body moves said expander along at least a portion of the length of said body to force apart said first, second, and third side portions.

14. The implant of claim 13, wherein said threaded part of said shaft of said post extends a distance greater along said shaft than the depth of said threaded opening of said expander.

15. The implant of claim 1, wherein said trailing end of said body includes at least one non-threaded opening.

16. The implant of claim 1, further comprising a bone engaging surface formed on the exterior of at least said first, second, and third side portions for engaging the adjacent bone masses, said bone engaging surface including at least one of a thread, a ratchet, a spline, surface roughenings, and knurling.

17. The implant of claim 1, wherein said implant comprises an artificial material other than bone.

18. The implant of claim 1, further comprising a thread formed on the exterior of at least said first, second, and third side portions for engaging the adjacent bone masses, said thread extending continuously around the mid-longitudinal axis of said implant for at least one complete turn.

19. The implant of claim 1, wherein said trailing end of said implant has a constant cross section transverse to the mid-longitudinal axis in both the collapsed and expanded positions.

20. The implant of claim 1, wherein each of said first, second, and third side portions has a free end at said leading end of said implant.

21. An orthopedic implant for implantation at least in part between two adjacent bone masses, said implant comprising: a body having a leading end, a trailing end opposite said leading end, a mid-longitudinal axis, and a length between said leading and trailing ends of said body, said body having a mid-point bisecting the length of said body, said body having a first side portion adapted to contact one of the adjacent bone masses, a second side portion opposite said first side portion adapted to contact

23

another one of the adjacent bone masses, and at least a third side portion between said first and second side portions, each of said first, second, and third side portions extending from said trailing end of said body and being spaced apart from one another to form a hollow interior therebetween, each of said first, second, and third side portions configured to move at least in part in a direction away from the mid-longitudinal axis of the body allowing for expansion of said body in at least three directions, said first, second, and third side portions having a collapsed position and an expanded position; an expander at least in part within said hollow interior, said expander configured to cooperatively engage an instrument adapted to be inserted through said trailing end of said body to engage and to move said expander from a position proximate said leading end when said body is in the collapsed position away from said leading end and toward said trailing end of said body to place said body in the expanded position, said expander adapted to contact and to move said first, second, and third side portions away from the mid-longitudinal axis of said body, said first, second, and third side portions of said body adapted to cooperatively engage said expander to locate said expander at a fixed position along the length of said body, said fixed position being closer to the mid-point of said implant than to said leading end of said implant, said first, second, and third side portions of said body adapted to resist dislodgment of said expander from that location when said implant is in the expanded position, said expander adapted to hold at least a portion of said first, second, and third side portions apart so as to maintain the expanded position of said body and to resist the collapse of said body to the collapsed position when said body is in the expanded position; and

a bone growth promoting material, said hollow interior being configured to hold at least some of the bone growth promoting material therein.

22. The implant of claim 21, wherein said bone growth promoting material is selected from one of bone, bone derived products, demineralized bone matrix, ossifying proteins, bone morphogenetic protein, hydroxyapatite, and genes coding for the production of bone.

23. An orthopedic implant for implantation at least in part between two adjacent bone masses, said implant comprising:

24

a body having a leading end, a trailing end opposite said leading end, a mid-longitudinal axis, and a length between said leading and trailing ends of said body, said body having a mid-point bisecting the length of said body, said body having a first side portion adapted to contact one of the adjacent bone masses, a second side portion opposite said first side portion adapted to contact another one of the adjacent bone masses, and at least a third side portion between said first and second side portions, each of said first, second, and third side portions extending from said trailing end of said body and being spaced apart from one another to form a hollow interior therebetween, said hollow interior being configured to hold at least some bone growth promoting material therein, each of said first, second, and third side portions configured to move at least in part in a direction away from the mid-longitudinal axis of the body allowing for expansion of said body in at least three directions, said first, second, and third side portions having a collapsed position and an expanded position; and

an expander at least in part within said hollow interior, said expander configured to cooperatively engage an instrument adapted to be inserted through said trailing end of said body to engage and to move said expander from a position proximate said leading end when said body is; in the collapsed position away from said leading end and toward said trailing end of said body to place said body in the expanded position, said expander adapted to contact and to move said first, second, and third side portions away from the mid-longitudinal axis of said body, said first, second, and third side portions of said body adapted to cooperatively engage said expander to locate said expander at a fixed position along the length of said body, said fixed position being closer to the mid-point of said implant than to said leading end of said implant, said first, second, and third side portions of said body adapted to resist dislodgment of said expander from that location when said implant is in the expanded position, said expander adapted to hold at least a portion of said first, second, and third side portions apart so as to maintain the expanded position of said body and to resist the collapse of said body to the collapsed position when said body is in the expanded position, wherein said implant is at least in part resorbable.

* * * * *