



(12) **United States Patent**
Michelson

(10) **Patent No.:** **US 7,621,943 B2**
(45) **Date of Patent:** **Nov. 24, 2009**

(54) **METHOD FOR INSTALLING DYNAMIC
MULTILOCK ANTERIOR CERVICAL PLATE
SYSTEM HAVING DETACHABLY FASTENED
AND MOVEABLE SEGMENTS**

3,604,414 A	9/1971	Borges	
3,659,595 A	5/1972	Haboush	
3,900,025 A *	8/1975	Barnes, Jr.	606/71
3,952,747 A	4/1976	Kimmell, Jr.	
4,034,418 A	7/1977	Jackson et al.	
4,289,123 A *	9/1981	Dunn	606/61
4,425,908 A	1/1984	Simon	
RE31,628 E	7/1984	Allgower et al.	

(75) Inventor: **Gary K. Michelson**, Venice, CA (US)

(73) Assignee: **Warsaw Orthopedic, Inc.**, Warsaw, IN (US)

(Continued)

(*) Notice: Subject to any disclaimer, the term of this patent is extended or adjusted under 35 U.S.C. 154(b) by 309 days.

FOREIGN PATENT DOCUMENTS

DE 4007306 5/1991

(Continued)

(21) Appl. No.: **11/102,112**

(22) Filed: **Apr. 9, 2005**

OTHER PUBLICATIONS

(65) **Prior Publication Data**

US 2005/0192576 A1 Sep. 1, 2005

AESCULAP Scientific Information Booklet; *Anterior Cervical Fusion and Interbody Stabilization with the Trapezial Osteosynthetic Plate Technique* by Wolfhard Casper; Feb. 1986.
Synthes Brochure: *Spine for Cervical Spine Locking Plate*; 1991.
Orion Brochure: *Anterior Cervical Plate System, Surgical Technique*, as described by Gary L. Lowery, M.D., Ph.D.; 1996.

Related U.S. Application Data

(Continued)

(62) Division of application No. 10/160,407, filed on Jun. 4, 2002, now Pat. No. 7,044,952.

(60) Provisional application No. 60/296,681, filed on Jun. 6, 2001, provisional application No. 60/379,589, filed on May 9, 2002.

Primary Examiner—Pedro Philogene
(74) *Attorney, Agent, or Firm*—Martin & Ferraro, LLP

(51) **Int. Cl.**

A61B 17/56 (2006.01)
A61B 17/58 (2006.01)

(57) **ABSTRACT**

(52) **U.S. Cl.** 606/281; 606/247; 606/295

(58) **Field of Classification Search** 606/61, 606/69, 70, 71, 72, 281, 247, 295
See application file for complete search history.

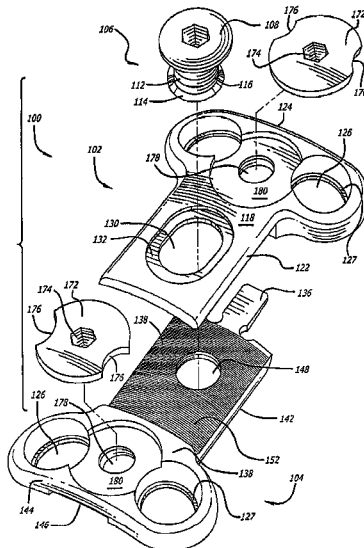
An anterior cervical plating system having moveable plate segments to vary the overall length of the plate, moveable to allow and/or cause intersegmental compression of vertebral bodies, and coupled together by a non-detachable fastener. The plating system includes locking elements, each locking element adapted to lock at least two bone screws to the plate, instrumentation, and method for installation thereof. The plating system is capable of both passive and active dynamization and the ability to produce the former from the latter.

(56) **References Cited**

U.S. PATENT DOCUMENTS

1,105,105 A 7/1914 Sherman

38 Claims, 25 Drawing Sheets



US 7,621,943 B2

U.S. PATENT DOCUMENTS					
4,467,809	A	8/1984 Brighton	5,531,747	A	7/1996 Ray
4,488,543	A	12/1984 Tornier	5,549,612	A	8/1996 Yapp et al.
4,493,317	A	1/1985 Klaue	5,558,674	A	9/1996 Heggeness et al.
4,494,531	A	1/1985 Gianturco	5,569,250	A	10/1996 Sarver et al.
4,503,848	A	3/1985 Caspar et al.	5,578,034	A	11/1996 Estes
4,599,086	A	7/1986 Doty	5,593,409	A	1/1997 Michelson
4,612,931	A	9/1986 Dormia	5,601,553	A	2/1997 Trebing et al.
4,619,246	A	10/1986 Molgaard-Nielsen et al.	5,605,938	A	2/1997 Roufa et al.
4,643,184	A	2/1987 Mobin-Uddin	5,607,426	A	3/1997 Ralph et al.
4,650,466	A	3/1987 Luther	5,616,142	A	4/1997 Yuan et al.
4,651,724	A	3/1987 Berentey et al.	5,628,781	A	5/1997 Williams et al.
4,662,885	A	5/1987 DiPisa, Jr.	5,643,265	A	7/1997 Errico et al.
4,688,553	A	8/1987 Metals	5,646,142	A	7/1997 Dantanarayana et al.
4,706,671	A	11/1987 Weinrib	5,662,652	A	9/1997 Schafer et al.
4,723,549	A	2/1988 Wholey et al.	5,672,177	A	9/1997 Seldin
4,727,873	A	3/1988 Mobin-Uddin	5,676,666	A	10/1997 Oxland et al.
4,743,256	A	5/1988 Brantigan	5,676,703	A	10/1997 Gelbard
4,781,177	A	11/1988 Lebigot	5,681,313	A *	10/1997 Diez 606/69
4,790,812	A	12/1988 Hawkins, Jr. et al.	5,713,900	A	2/1998 Benzel et al.
4,790,813	A	12/1988 Kensey	5,722,977	A	3/1998 Wilhelmy
4,794,918	A	1/1989 Wolter	5,728,127	A	3/1998 Asher et al.
4,794,928	A	1/1989 Kletschka	5,735,853	A	4/1998 Olerud
4,795,804	A	1/1989 Urist	5,735,899	A	4/1998 Schwartz et al.
4,832,055	A	5/1989 Palestrant	5,741,258	A	4/1998 Klaue et al.
4,873,978	A	10/1989 Ginsburg	5,755,796	A *	5/1998 Ibo et al. 623/17.16
4,921,478	A	5/1990 Solano et al.	5,766,254	A	6/1998 Gelbard
4,921,484	A	5/1990 Hillstead	5,800,433	A	9/1998 Benzel et al.
4,936,848	A	6/1990 Bagby	D402,032	S	12/1998 Stone
4,969,891	A	11/1990 Gewertz	5,843,082	A	12/1998 Yuan et al.
4,990,156	A	2/1991 Lefebvre	5,865,848	A	2/1999 Baker
4,997,435	A	3/1991 Demeter	5,866,113	A	2/1999 Hendriks et al.
4,998,539	A	3/1991 Delsanti	D406,646	S	3/1999 Stone
5,034,418	A	7/1991 Yamagishi et al.	5,876,402	A	3/1999 Errico et al.
5,041,113	A	8/1991 Biedermann et al.	5,899,939	A	5/1999 Boyce et al.
5,053,008	A	10/1991 Bajaj	5,902,304	A	5/1999 Walker et al.
5,053,036	A	10/1991 Perren et al.	5,904,683	A	5/1999 Pohndorf et al.
5,064,428	A	11/1991 Cope et al.	5,947,893	A	9/1999 Agrawal et al.
5,071,407	A	12/1991 Termin et al.	5,951,558	A	9/1999 Fiz
5,092,839	A	3/1992 Kipperman	5,954,722	A	9/1999 Bono
5,100,423	A	3/1992 Feamot	5,954,725	A	9/1999 Sherman et al.
5,100,425	A	3/1992 Fischell et al.	5,964,760	A	10/1999 Richelsoph
5,102,415	A	4/1992 Guenther et al.	5,964,762	A *	10/1999 Biedermann et al. 606/69
5,108,419	A	4/1992 Reger et al.	5,964,763	A	10/1999 Incavo et al.
5,127,912	A	7/1992 Ray et al.	5,968,098	A	10/1999 Winslow
5,129,903	A	7/1992 Luhr et al.	6,006,190	A	12/1999 Baena-Arnaiz et al. 705/1
5,147,361	A	9/1992 Ojima et al.	6,022,350	A	2/2000 Ganem
5,152,777	A	10/1992 Goldberg et al.	6,030,389	A	2/2000 Wagner et al.
5,158,548	A	10/1992 Lau	6,045,554	A	4/2000 Grooms et al.
5,160,342	A	11/1992 Reger et al.	6,087,555	A	7/2000 Dunstan et al.
5,167,665	A *	12/1992 McKinney 606/75	6,106,527	A	8/2000 Wu et al.
5,180,381	A	1/1993 Aust et al.	6,106,557	A	8/2000 Robioneck et al.
5,190,544	A	3/1993 Chapman et al.	6,117,135	A	9/2000 Schlapfer
5,192,286	A	3/1993 Phan et al.	6,136,001	A	10/2000 Michelson
5,209,751	A	5/1993 Farris et al.	6,139,550	A	10/2000 Michelson
5,234,431	A	8/1993 Keller	8,139,316		10/2000 Sachdeva et al.
5,300,073	A	4/1994 Ray et al.	6,152,927	A	11/2000 Farris et al.
5,324,304	A	6/1994 Rasmussen	6,159,213	A	12/2000 Rogozinski
5,329,942	A	7/1994 Gunther et al.	6,189,146	B1	2/2001 Misra et al. 717/11
5,330,477	A	7/1994 Crook	6,193,721	B1	2/2001 Michelson
5,330,482	A	7/1994 Gibbs et al.	6,206,868	B1	3/2001 Parodi
5,344,421	A	9/1994 Crook	D440,311	S	4/2001 Michelson
5,350,398	A	9/1994 Pavcnik et al.	6,214,026	B1	4/2001 Lepak et al.
5,364,399	A	11/1994 Lowery et al.	6,217,580	B1	4/2001 Levin
5,370,657	A	12/1994 Irie	6,224,602	B1	5/2001 Hayes
5,375,612	A	12/1994 Cottenceau et al.	6,224,607	B1	5/2001 Michelson
5,383,887	A	1/1995 Nadal	6,224,620	B1	5/2001 Maahs
5,397,363	A	3/1995 Gelbard	6,228,085	B1	5/2001 Theken et al.
5,423,826	A	6/1995 Coates et al.	6,235,034	B1	5/2001 Bray
5,470,333	A	11/1995 Ray	6,235,044	B1	5/2001 Root et al.
5,520,690	A	5/1996 Errico et al.	6,235,045	B1	5/2001 Barbut et al.
5,531,746	A	7/1996 Errico et al.	6,235,059	B1	5/2001 Benezech et al.
			6,238,412	B1	5/2001 Dubrul et al.
			6,241,746	B1	6/2001 Bosma et al.

US 7,621,943 B2

6,245,012 B1	6/2001	Kleshinski	6,537,296 B2	3/2003	Levinson et al.
6,245,087 B1	6/2001	Addis	6,537,297 B2	3/2003	Tsugita et al.
6,245,088 B1	6/2001	Lowery	6,540,722 B1	4/2003	Boyle et al.
6,245,089 B1	6/2001	Daniel et al.	6,540,767 B1	4/2003	Walak et al.
6,246,409 B1	6/2001	Veghte et al. 345/356	6,540,768 B1	4/2003	Diaz et al.
6,251,122 B1	6/2001	Tsukernik	6,544,276 B1	4/2003	Azizi
6,254,633 B1	7/2001	Pinchuk et al.	6,544,279 B1	4/2003	Hopkins et al.
6,258,089 B1	7/2001	Campbell et al.	6,544,280 B1	4/2003	Daniel et al.
6,258,115 B1	7/2001	Dubrul	6,547,759 B1	4/2003	Fisher
6,258,120 B1	7/2001	McKenzie et al.	6,551,268 B1	4/2003	Kaganov et al.
6,264,663 B1	7/2001	Cano	6,551,341 B2	4/2003	Boylan et al.
6,264,672 B1	7/2001	Fisher	6,551,342 B1	4/2003	Shen et al.
6,267,776 B1	7/2001	O'Connell	6,558,401 B1	5/2003	Azizi
6,267,777 B1	7/2001	Bosma et al.	6,558,405 B1	5/2003	McInnes
6,270,477 B1	8/2001	Bagoisan	6,558,686 B1	5/2003	Darouiche
6,270,513 B1	8/2001	Tsugita et al.	6,562,058 B2	5/2003	Seguin
6,273,901 B1	8/2001	Whitcher et al.	6,565,591 B2	5/2003	Kelly et al.
6,277,138 B1	8/2001	Levinson et al.	6,569,184 B2	5/2003	Huter
6,277,139 B1	8/2001	Levinson et al.	6,575,995 B1	6/2003	Huter et al.
6,280,451 B1	8/2001	Bates et al.	6,575,996 B1	6/2003	Denison et al.
6,287,321 B1	9/2001	Jang	6,575,997 B1	6/2003	Palmer et al.
6,290,656 B1	9/2001	Boyle et al.	6,578,017 B1	6/2003	Foley et al.
6,290,710 B1	9/2001	Cryer et al.	6,582,447 B1	6/2003	Patel et al.
D449,692 S	10/2001	Michelson	6,582,448 B1	6/2003	Boyle et al.
6,295,989 B1	10/2001	Connors, III	6,585,738 B1	7/2003	Mangione et al.
6,296,647 B1	10/2001	Robioneck et al.	6,585,756 B1	7/2003	Strecker
6,302,883 B1	10/2001	Bono	6,589,263 B1	7/2003	Hopkins et al.
6,306,136 B1*	10/2001	Baccelli 606/61	6,589,265 B1	7/2003	Palmer et al.
6,306,163 B1	10/2001	Fitz	6,592,546 B1	7/2003	Barbut et al.
6,319,242 B1	11/2001	Patterson et al.	6,592,606 B2	7/2003	Huter et al.
6,319,268 B1	11/2001	Ambrisco et al.	6,592,607 B1	7/2003	Palmer et al.
6,325,815 B1	12/2001	Kusleika et al.	6,592,616 B1	7/2003	Stack et al.
6,328,738 B1*	12/2001	Suddaby 606/57	6,596,011 B2	7/2003	Johnson et al.
6,336,934 B1	1/2002	Gilson et al.	6,599,307 B1	7/2003	Huter et al.
6,340,364 B2	1/2002	Kanesaka	6,599,308 B2	7/2003	Amplatz
6,340,465 B1	1/2002	Hsu et al.	6,602,256 B1	8/2003	Hayes
6,342,055 B1	1/2002	Eisermann et al.	6,602,269 B2	8/2003	Wallace et al.
6,346,116 B1	2/2002	Brooks et al.	6,602,271 B2	8/2003	Adams et al.
6,348,056 B1	2/2002	Bates et al.	6,602,272 B2	8/2003	Boylan et al.
6,355,036 B1	3/2002	Nakajima	6,602,273 B2	8/2003	Marshall
6,355,051 B1	3/2002	Sisskind et al.	6,605,090 B1	8/2003	Trieu et al.
6,360,254 B1	3/2002	Linden et al. 709/219	6,605,102 B1	8/2003	Mazzocchi et al.
6,361,545 B1	3/2002	Macoviak et al.	6,605,111 B2	8/2003	Bose et al.
6,361,546 B1	3/2002	Khosravi	6,607,506 B2	8/2003	Kletschka
6,364,895 B1	4/2002	Greenhalgh	6,610,077 B1	8/2003	Hancock et al.
6,364,896 B1	4/2002	Addis	6,616,679 B1	9/2003	Khosravi et al.
6,371,969 B1	4/2002	Tsugita et al.	6,616,680 B1	9/2003	Thielen
6,371,970 B1	4/2002	Khosravi et al.	6,616,681 B2	9/2003	Hanson et al.
6,371,971 B1	4/2002	Tsugita et al.	6,616,682 B2	9/2003	Joergensen et al.
6,383,189 B1*	5/2002	Schumacher 606/86	6,620,148 B1	9/2003	Tsugita et al.
6,385,613 B1	5/2002	Grewell et al. 707/8	6,620,182 B1	9/2003	Khosravi
6,395,030 B1	5/2002	Songer et al.	6,623,450 B1	9/2003	Dutta
6,402,756 B1	6/2002	Ralph et al.	6,629,953 B1	10/2003	Boyd
6,406,478 B1	6/2002	Kuo	6,632,236 B2	10/2003	Hogendijk
6,410,519 B1	6/2002	Gruskin et al.	6,632,241 B1	10/2003	Hancock et al.
6,413,259 B1*	7/2002	Lyons et al. 606/69	6,635,068 B1	10/2003	Dubrul et al.
6,453,344 B1	9/2002	Ellsworth et al. 709/220	6,635,070 B2	10/2003	Leeflang et al.
6,470,339 B1	10/2002	Karp et al. 707/8	6,638,293 B1	10/2003	Makowner et al.
6,471,706 B1	10/2002	Schumacher et al.	6,638,294 B1	10/2003	Palmer
6,503,250 B2*	1/2003	Paul 606/69	6,645,208 B2	11/2003	Apfelbaum et al.
6,511,503 B1	1/2003	Burkett et al.	6,645,220 B1	11/2003	Huter et al.
6,514,273 B1	2/2003	Voss et al.	6,645,221 B1	11/2003	Richter
6,517,550 B1	2/2003	Konya et al.	6,645,223 B2	11/2003	Boyle et al.
6,517,559 B1	2/2003	O'Connell	6,645,224 B2	11/2003	Gilson et al.
6,520,978 B1	2/2003	Blackledge et al.	6,652,480 B1	11/2003	Imran et al.
6,527,746 B1	3/2003	Oslund et al.	6,652,505 B1	11/2003	Tsugita et al.
6,527,791 B2	3/2003	Fisher	6,652,525 B1	11/2003	Assaker et al.
6,530,939 B1	3/2003	Hopkins et al.	6,652,554 B1	11/2003	Wholey et al.
6,530,940 B2	3/2003	Fisher	6,652,557 B1	11/2003	MacDonald
6,533,786 B1	3/2003	Needham et al.	6,656,202 B2	12/2003	Papp et al.
6,533,800 B1	3/2003	Barbut	6,656,203 B2	12/2003	Roth et al.
6,537,294 B1	3/2003	Boyle et al.	6,656,204 B2	12/2003	Ambrisco et al.
6,537,295 B2	3/2003	Petersen	6,656,351 B2	12/2003	Boyle

US 7,621,943 B2

6,660,021	B1	12/2003	Palmer et al.	2002/0133092	A1	9/2002	Oslund et al.
6,663,650	B2	12/2003	Sepetka et al.	2002/0138094	A1	9/2002	Borillo et al.
6,663,651	B2	12/2003	Krolik et al.	2002/0138095	A1	9/2002	Mazzocchi et al.
6,663,652	B2	12/2003	Daniel et al.	2002/0143360	A1	10/2002	Douk et al.
6,673,090	B2	1/2004	Root et al.	2002/0143361	A1	10/2002	Douk et al.
6,676,666	B2	1/2004	Vrba et al.	2002/0151927	A1	10/2002	Douk et al.
6,676,682	B1	1/2004	Tsugita et al.	2002/0156456	A1	10/2002	Fisher
6,676,683	B1	1/2004	Addis	2002/0156457	A1	10/2002	Fisher
6,679,902	B1	1/2004	Boyle et al.	2002/0161390	A1	10/2002	Mouw
6,679,903	B2	1/2004	Kurz	2002/0161392	A1	10/2002	Dubrul
6,682,546	B2	1/2004	Amplatz	2002/0161393	A1	10/2002	Demond et al.
6,685,722	B1	2/2004	Rosenbluth et al.	2002/0161395	A1	10/2002	Douk et al.
6,689,151	B2	2/2004	Becker et al.	2002/0165576	A1	11/2002	Boyle et al.
6,692,513	B2	2/2004	Streeter et al.	2002/0169414	A1	11/2002	Kletschka
6,695,813	B1	2/2004	Boyle et al.	2002/0169458	A1	11/2002	Connors, III
6,695,858	B1	2/2004	Dubrul et al.	2002/0169472	A1	11/2002	Douk et al.
6,695,864	B2	2/2004	Macoviak et al.	2002/0169474	A1	11/2002	Kusleika et al.
6,696,666	B2	2/2004	Merdan et al.	2002/0173815	A1	11/2002	Hogendijk et al.
6,699,260	B2	3/2004	Dubrul et al.	2002/0173817	A1	11/2002	Kletschka et al.
6,702,817	B2	3/2004	Beger et al.	2002/0183754	A1	12/2002	Michelson
6,702,834	B1	3/2004	Boyle et al.	2002/0183755	A1	12/2002	Michelson
6,706,055	B2	3/2004	Douk et al.	2002/0183756	A1	12/2002	Michelson
6,712,834	B2	3/2004	Yassour et al.	2002/0183757	A1	12/2002	Michelson
6,712,835	B2	3/2004	Mazzocchi et al.	2002/0188296	A1	12/2002	Michelson
6,716,231	B1	4/2004	Rafiee et al.	2002/0188313	A1	12/2002	Johnson et al.
6,723,085	B2	4/2004	Jang et al.	2002/0188314	A1	12/2002	Anderson et al.
6,726,701	B2	4/2004	Gilson	2002/0193825	A1	12/2002	McGuckin et al.
6,726,702	B2	4/2004	Khosravi	2002/0193826	A1	12/2002	McGuckin et al.
6,726,703	B2	4/2004	Broome et al.	2002/0193827	A1	12/2002	McGuckin et al.
6,740,061	B1	5/2004	Oslund et al.	2002/0193828	A1	12/2002	Griffin et al.
6,743,247	B1	6/2004	Levinson et al.	2003/0004536	A1	1/2003	Boylan et al.
6,746,469	B2	6/2004	Mouw	2003/0004537	A1	1/2003	Boyle et al.
6,752,819	B1	6/2004	Brady et al.	2003/0004539	A1	1/2003	Linder et al.
6,755,846	B1	6/2004	Yadav	2003/0004540	A1	1/2003	Linder et al.
6,758,855	B2	7/2004	Fulton, III et al.	2003/0004541	A1	1/2003	Linder et al.
6,761,727	B1	7/2004	Ladd	2003/0009188	A1	1/2003	Linder et al.
6,764,489	B2	7/2004	Ferree	2003/0009189	A1	1/2003	Gilson et al.
6,773,448	B2	8/2004	Kusleika et al.	2003/0015206	A1	1/2003	Roth et al.
6,783,526	B1	8/2004	Lin et al.	2003/0018354	A1	1/2003	Roth et al.
6,786,910	B2	9/2004	Cohen et al.	2003/0023265	A1	1/2003	Forber
6,790,219	B1	9/2004	Murphy	2003/0028238	A1	2/2003	Burkett et al.
6,793,658	B2	9/2004	LeHuec et al.	2003/0032941	A1	2/2003	Boyle et al.
6,793,666	B2	9/2004	Hansen et al.	2003/0032977	A1	2/2003	Brady
6,793,668	B1	9/2004	Fisher	2003/0040772	A1	2/2003	Hyodoh et al.
6,800,080	B1	10/2004	Bates	2003/0042186	A1	3/2003	Boyle
6,814,739	B2	11/2004	Secrest et al.	2003/0144689	A1	7/2003	Brady et al.
6,818,006	B2	11/2004	Douk et al.	2003/0229348	A1	12/2003	Sevrain
6,837,898	B2	1/2005	Boyle	2004/0039411	A1	2/2004	Gilson et al.
6,840,950	B2	1/2005	Stanford et al.	2004/0049226	A1	3/2004	Keegan et al.
6,843,798	B2	1/2005	Kusleika et al.	2004/0059372	A1	3/2004	Tsugita
6,846,316	B2	1/2005	Abrams	2004/0059373	A1	3/2004	Shapiro et al.
6,846,317	B1	1/2005	Nigon	2004/0082697	A1	4/2004	Broome et al.
6,855,147	B2	2/2005	Harrington, Jr.	2004/0082968	A1	4/2004	Krolik et al.
6,863,696	B2	3/2005	Kantsevitcha et al.	2004/0088000	A1	5/2004	Muller
6,866,677	B2	3/2005	Douk et al.	2004/0088002	A1	5/2004	Boyle et al.
6,872,210	B2	3/2005	Hearn	2004/0093009	A1	5/2004	Denison et al.
6,872,216	B2	3/2005	Daniel et al.	2004/0093010	A1	5/2004	Gesswein et al.
6,878,151	B2	4/2005	Carrison et al.	2004/0093011	A1	5/2004	Vrba
6,878,153	B2	4/2005	Linder et al.	2004/0093012	A1	5/2004	Cully et al.
6,908,469	B2	6/2005	Sellers et al.	2004/0093013	A1	5/2004	Brady et al.
RE38,972	E	2/2006	Purdy	2004/0098022	A1	5/2004	Barone
7,112,202	B2	9/2006	Michelson	2004/0098026	A1	5/2004	Joergensen et al.
7,115,130	B2	10/2006	Michelson	2004/0098032	A1	5/2004	Papp et al.
2001/0049559	A1	12/2001	Koo et al.	2004/0098033	A1	5/2004	Leeffang et al.
2002/0004660	A1	1/2002	Henniges et al.	2004/0102806	A1	5/2004	Broome et al.
2002/0055741	A1	5/2002	Schlapfer et al.	2004/0102807	A1	5/2004	Kusleika et al.
2002/0111630	A1	8/2002	Ralph et al.	2004/0106944	A1	6/2004	Daniel et al.
2002/0121472	A1	9/2002	Garner et al.	2004/0111111	A1	6/2004	Lin
2002/0123720	A1	9/2002	Kusleika et al.	2004/0116960	A1	6/2004	Demond et al.
2002/0123755	A1	9/2002	Lowe et al.	2004/0122466	A1	6/2004	Bales
2002/0128679	A1	9/2002	Turovskiy et al.	2004/0127933	A1	7/2004	Demond et al.
2002/0128680	A1	9/2002	Pavlovic	2004/0127934	A1	7/2004	Gilson et al.
2002/0128681	A1	9/2002	Broome et al.	2004/0127936	A1	7/2004	Salahieh et al.

2004/0138693	A1	7/2004	Eskuri et al.	2006/0025804	A1	2/2006	Krolik et al.
2004/0138694	A1	7/2004	Tran et al.	2006/0025805	A1	2/2006	DoBrava et al.
2004/0138696	A1	7/2004	Drasler et al.	2006/0030876	A1	2/2006	Peacock, III et al.
2004/0147955	A1	7/2004	Beulke et al.	2006/0030877	A1	2/2006	Martinez et al.
2004/0153118	A1	8/2004	Clubb et al.	2006/0030878	A1	2/2006	Anderson et al.
2004/0153119	A1	8/2004	Kusleika et al.	2006/0052817	A1	3/2006	Russo et al.
2004/0158275	A1	8/2004	Crank et al.	2006/0074446	A1	4/2006	Gilson et al.
2004/0158277	A1	8/2004	Lowe et al.	2006/0095069	A1	5/2006	Shah et al.
2004/0158278	A1	8/2004	Becker et al.	2006/0100659	A1	5/2006	Dinh et al.
2004/0158279	A1	8/2004	Petersen	2006/0100662	A1	5/2006	Daniel et al.
2004/0158280	A1	8/2004	Morris et al.	2006/0100663	A1	5/2006	Palmer et al.
2004/0158281	A1	8/2004	Boylan et al.	2006/0116715	A1	6/2006	Khosravi et al.
2004/0167521	A1	8/2004	De Windt	2006/0122643	A1	6/2006	Wasicek
2004/0167564	A1	8/2004	Fedie	2006/0122644	A1	6/2006	Brady et al.
2004/0167565	A1	8/2004	Beulke et al.	2006/0122645	A1	6/2006	Brady et al.
2004/0167566	A1	8/2004	Beulke et al.	2006/0129181	A1	6/2006	Callol et al.
2004/0167567	A1	8/2004	Cano et al.	2006/0129182	A1	6/2006	Gilson et al.
2004/0167568	A1	8/2004	Boyle et al.	2006/0129183	A1	6/2006	Boyle et al.
2004/0172055	A1	9/2004	Huter et al.	2006/0149312	A1	7/2006	Arguello et al.
2004/0176794	A1	9/2004	Khosravi	2006/0149313	A1	7/2006	Arguello et al.
2004/0193208	A1	9/2004	Talpade et al.	2006/0149314	A1	7/2006	Borillo et al.
2004/0199198	A1	10/2004	Beulke et al.	2006/0155322	A1	7/2006	Sater et al.
2004/0199199	A1	10/2004	Krolik et al.	2006/0161198	A1	7/2006	Sakai et al.
2004/0199203	A1	10/2004	Oslund et al.	2006/0167491	A1	7/2006	Wholey et al.
2004/0204737	A1	10/2004	Boismier et al.	2006/0184194	A1	8/2006	Pal et al.
2004/0210250	A1	10/2004	Eskuri	2006/0190025	A1	8/2006	Lehe et al.
2004/0220608	A1	11/2004	D'Aquanni et al.	2006/0195137	A1	8/2006	Sepetka et al.
2004/0220609	A1	11/2004	Douk et al.	2006/0195138	A1	8/2006	Goll et al.
2004/0220611	A1	11/2004	Ogle	2006/0200047	A1	9/2006	Galdonik et al.
2004/0225321	A1	11/2004	Krolik et al.	2006/0200191	A1	9/2006	Zadno-Azizi
2004/0225322	A1	11/2004	Garrison et al.	2006/0206139	A1	9/2006	Tekulve
2004/0236368	A1	11/2004	McGuckin, Jr. et al.				
2004/0236369	A1	11/2004	Dubrul				
2004/0249409	A1	12/2004	Krolik et al.				
2004/0254601	A1	12/2004	Eskuri				
2004/0254602	A1	12/2004	Lehe et al.				
2004/0260308	A1	12/2004	Gilson et al.				
2004/0260333	A1	12/2004	Dubrul et al.				
2004/0267301	A1	12/2004	Boylan et al.				
2004/0267302	A1	12/2004	Gilson et al.				
2005/0004594	A1	1/2005	Nool et al.				
2005/0004595	A1	1/2005	Boyle et al.				
2005/0004597	A1	1/2005	McGuckin, Jr. et al.				
2005/0010245	A1	1/2005	Wasicek				
2005/0010246	A1	1/2005	Streeter et al.				
2005/0010247	A1	1/2005	Kusleika et al.				
2005/0021075	A1	1/2005	Bonnette et al.				
2005/0021076	A1	1/2005	Mazzocchi et al.				
2005/0055048	A1	3/2005	Dieck et al.				
2005/0070953	A1	3/2005	Riley				
2005/0075663	A1	4/2005	Boyle et al.				
2005/0080446	A1	4/2005	Gilson et al.				
2005/0085842	A1	4/2005	Eversull et al.				
2005/0090845	A1	4/2005	Boyd				
2005/0090857	A1	4/2005	Kusleika et al.				
2005/0090858	A1	4/2005	Pavlovic				
2005/0096691	A1	5/2005	Groothuis et al.				
2005/0096692	A1	5/2005	Linder et al.				
2005/0101986	A1	5/2005	Daniel et al.				
2005/0101987	A1	5/2005	Salahieh				
2005/0101988	A1	5/2005	Stanford et al.				
2005/0101989	A1	5/2005	Cully et al.				
2005/0113865	A1	5/2005	Daniel et al.				
2005/0119688	A1	6/2005	Bergheim				
2005/0187554	A1	8/2005	Michelson				
2005/0192576	A1	9/2005	Michelson				
2005/0216010	A1	9/2005	Michelson				
2006/0015139	A1	1/2006	Tsugita et al.				
2006/0015140	A1	1/2006	Tsugita et al.				
2006/0015141	A1	1/2006	Linder et al.				
2006/0020285	A1	1/2006	Niermann				
2006/0020286	A1	1/2006	Niermann				
2006/0025803	A1	2/2006	Mittelberg et al.				

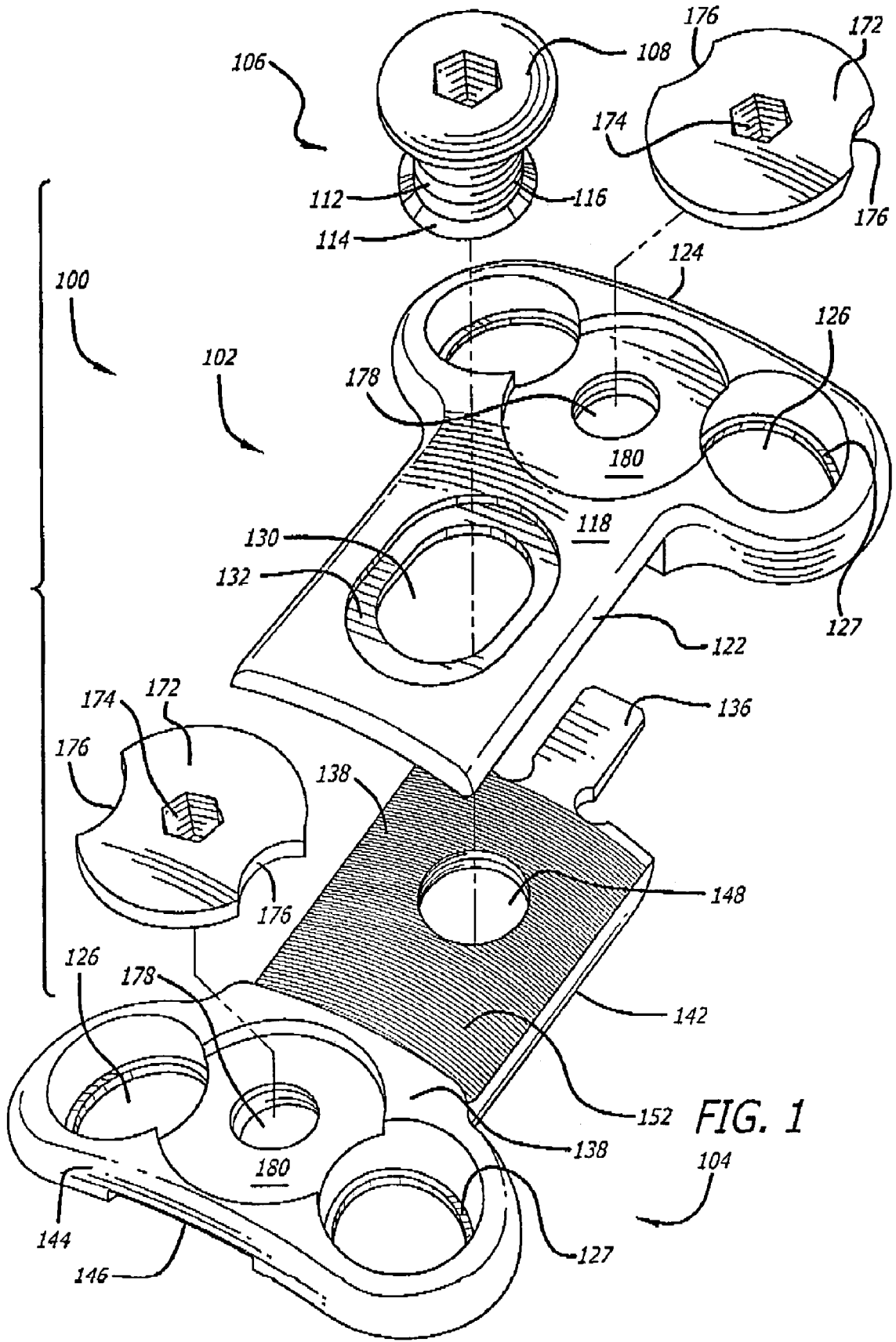
FOREIGN PATENT DOCUMENTS

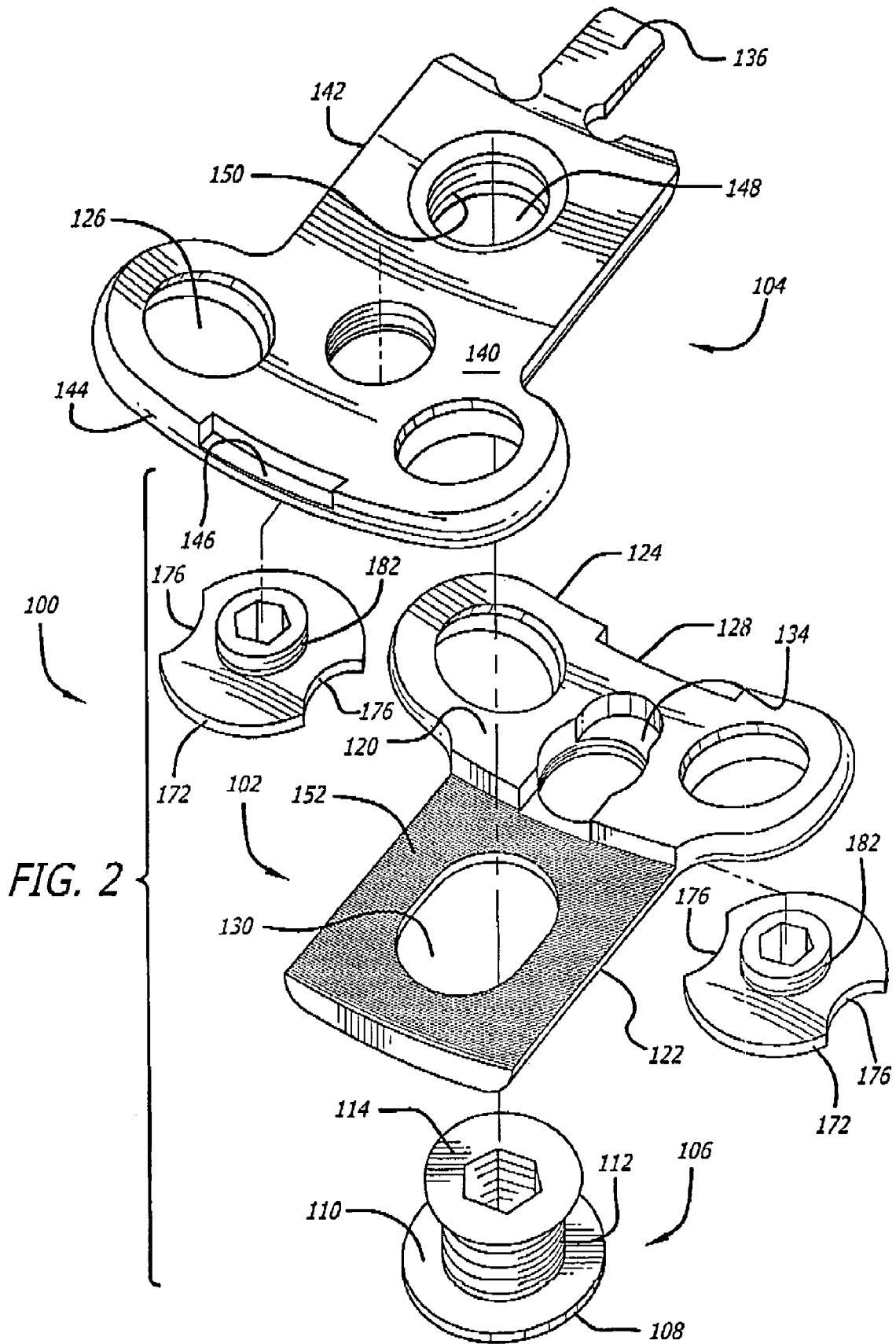
DE	4409833	10/1995
DE	4414781	11/1995
DE	19542064	6/1997
WO	WO 94/26193	11/1994
WO	WO 95/35067	12/1995
WO	WO 96/08206	3/1996
WO	WO 96/39975	12/1996
WO	WO 99/56653	11/1999
WO	WO 00/01314	1/2000
WO	WO 01/26566	4/2001
WO	WO 01/89428	11/2001
WO	WO 02/085226	10/2002

OTHER PUBLICATIONS

Codman Brochure: *Anterior Cervical Plate System*; Sep. 1995.
 EBI Brochure: *Introducing EBI VueLock, A nterior Cervical Plate System*; 2001.
 Bone Growth Stimulation, http://www.healthatoz.com/healthatoz/Atoz/ency/bone_growth_stimulation.jsp.
 Advertisement for Codman Anterior Cervical Plate System by Codman; Johnson & Johnson; Professional, Inc.; Sep. 1995.
 Spinal Concepts Brochure: *The Acufix, Anterior Cervical Plate System*; prior to Jun 4, 2002.
 Blackstone Brochure: *Blackstone Anterior Cervical Plate*; prior to Jun. 4, 2002.
 Alphatec Manufacturing Brochure: *Deltaloc, Anterior Cervical Plate System*; prior to Jun. 4, 2002.
 Sofamor Danek Brochure: *Atlantis, Anterior Cervical Plate System*; 1998.
 Ortho Development Brochure: *Ortho Development Cervical Plate*; prior to Jun. 4, 2002.
 Osteotech Brochure: *Affirm Anterior Cervical Plate System*; prior to Jun. 4, 2002.
 Sofamor Danek Brochure: *Atlantis, Anterior Cervical Plate System* (1998); prior to Jun. 4, 2002.
 Sofamor Danek Brochure: *Atlantis, Anterior Cervical Plate System* (1998); prior to Jun. 4, 2002.

* cited by examiner





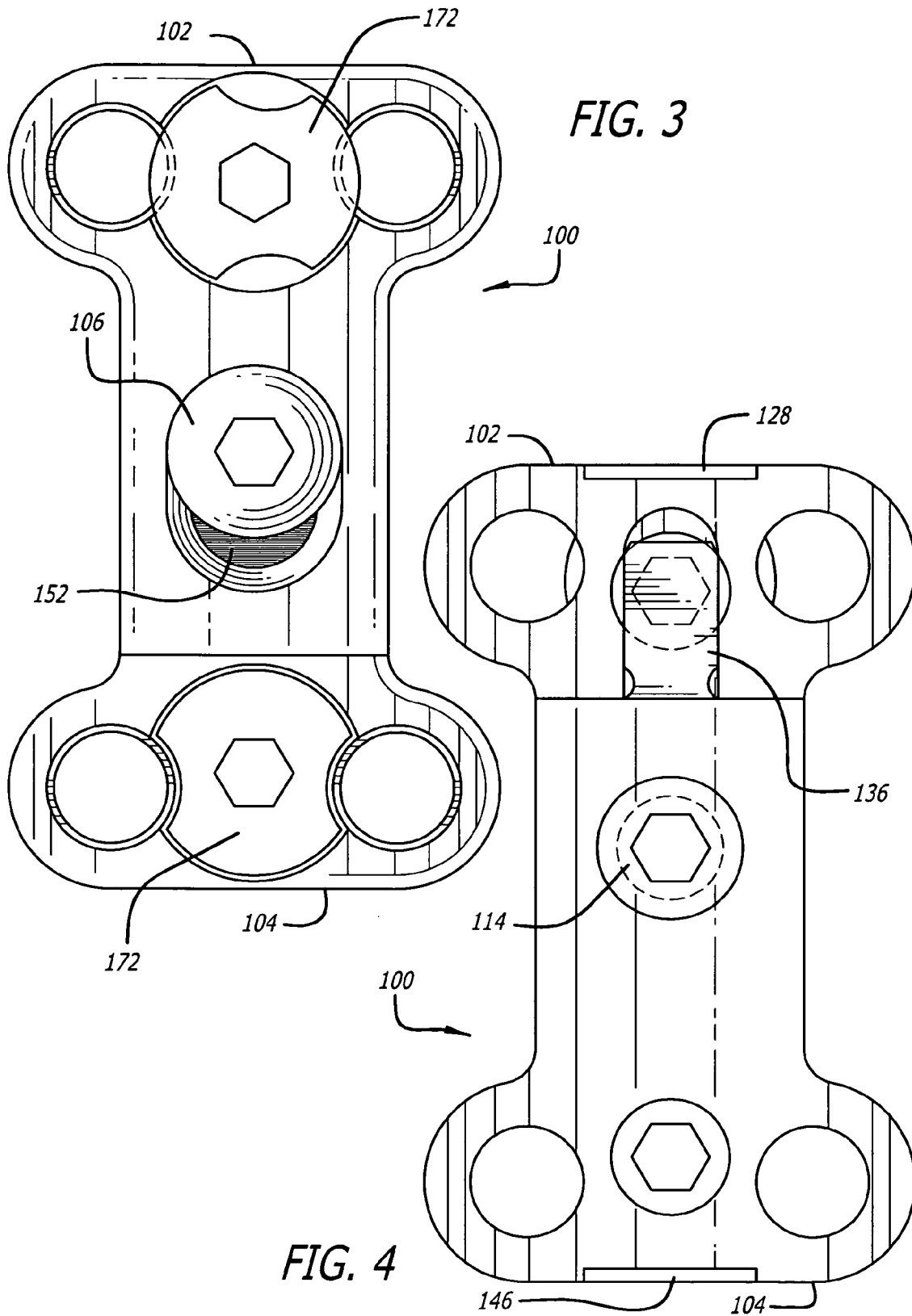
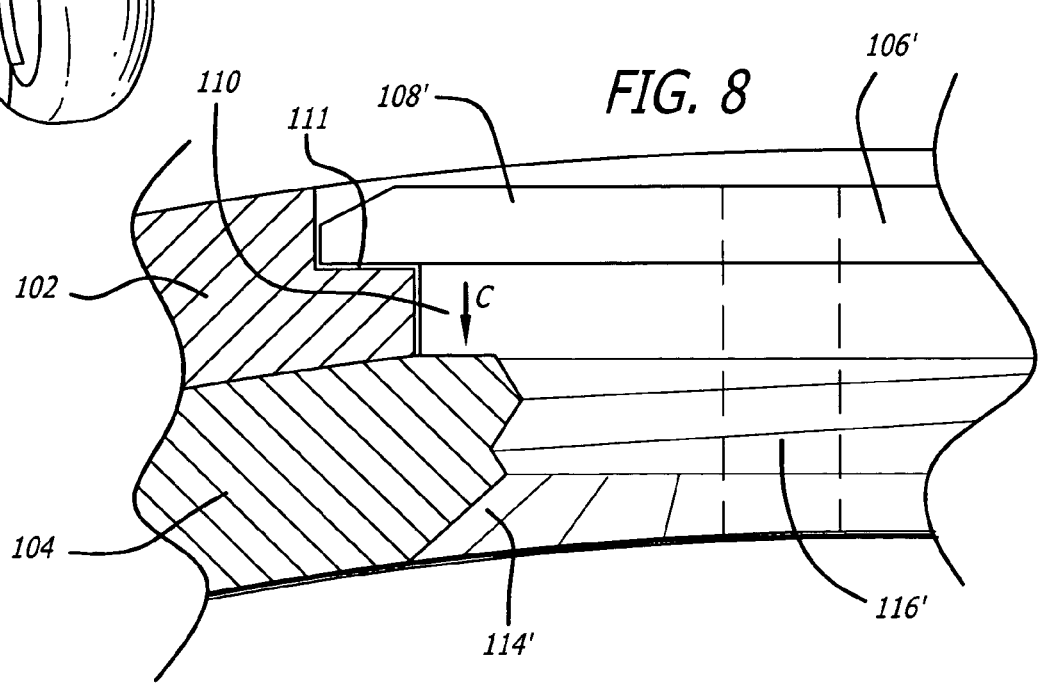
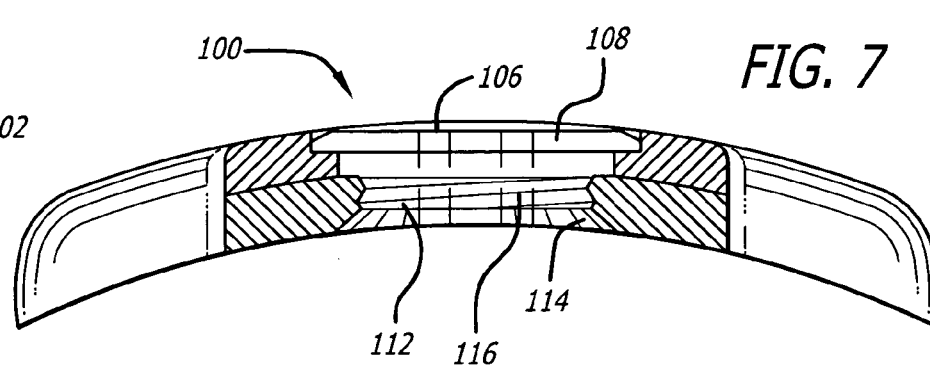
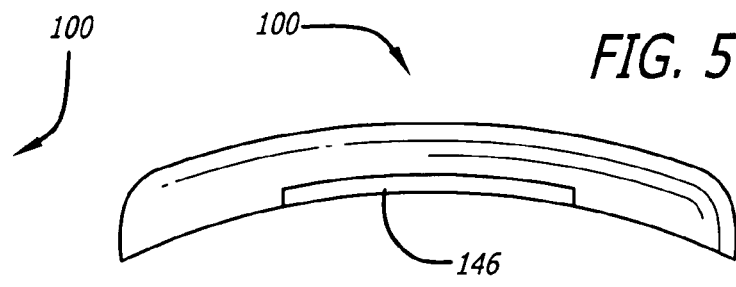
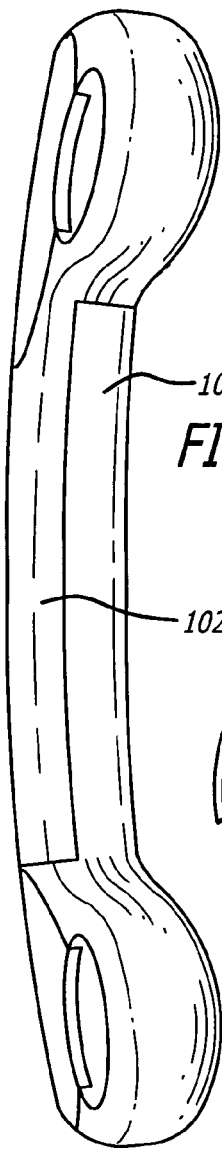
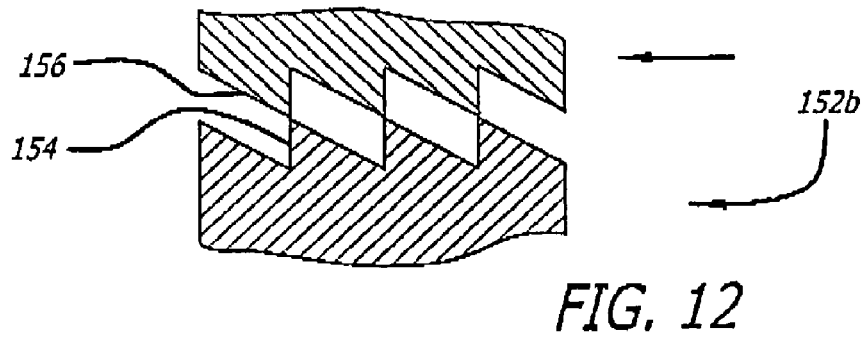
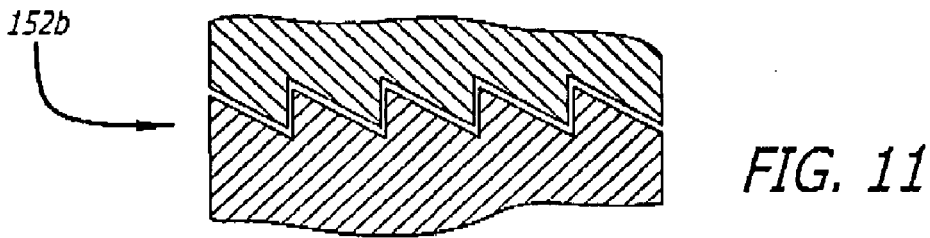
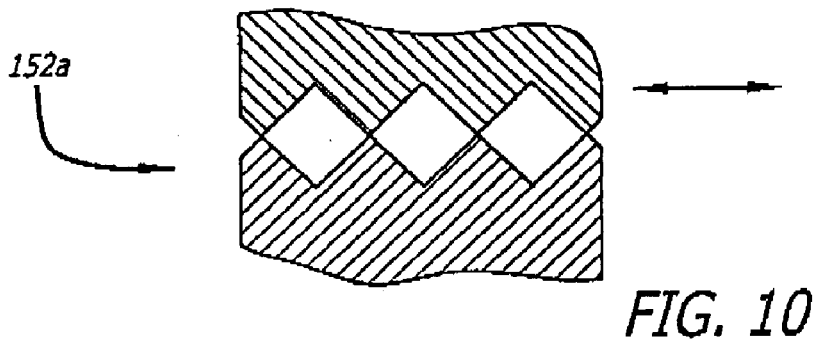
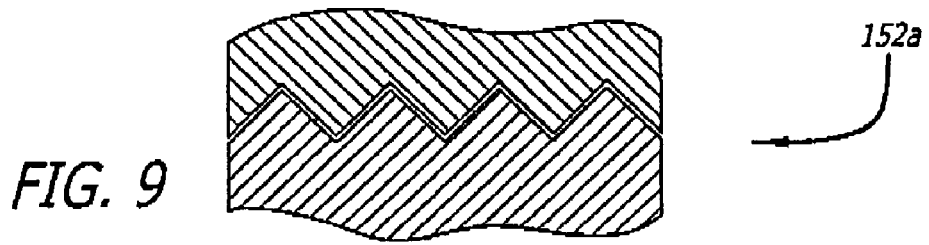


FIG. 3

FIG. 4





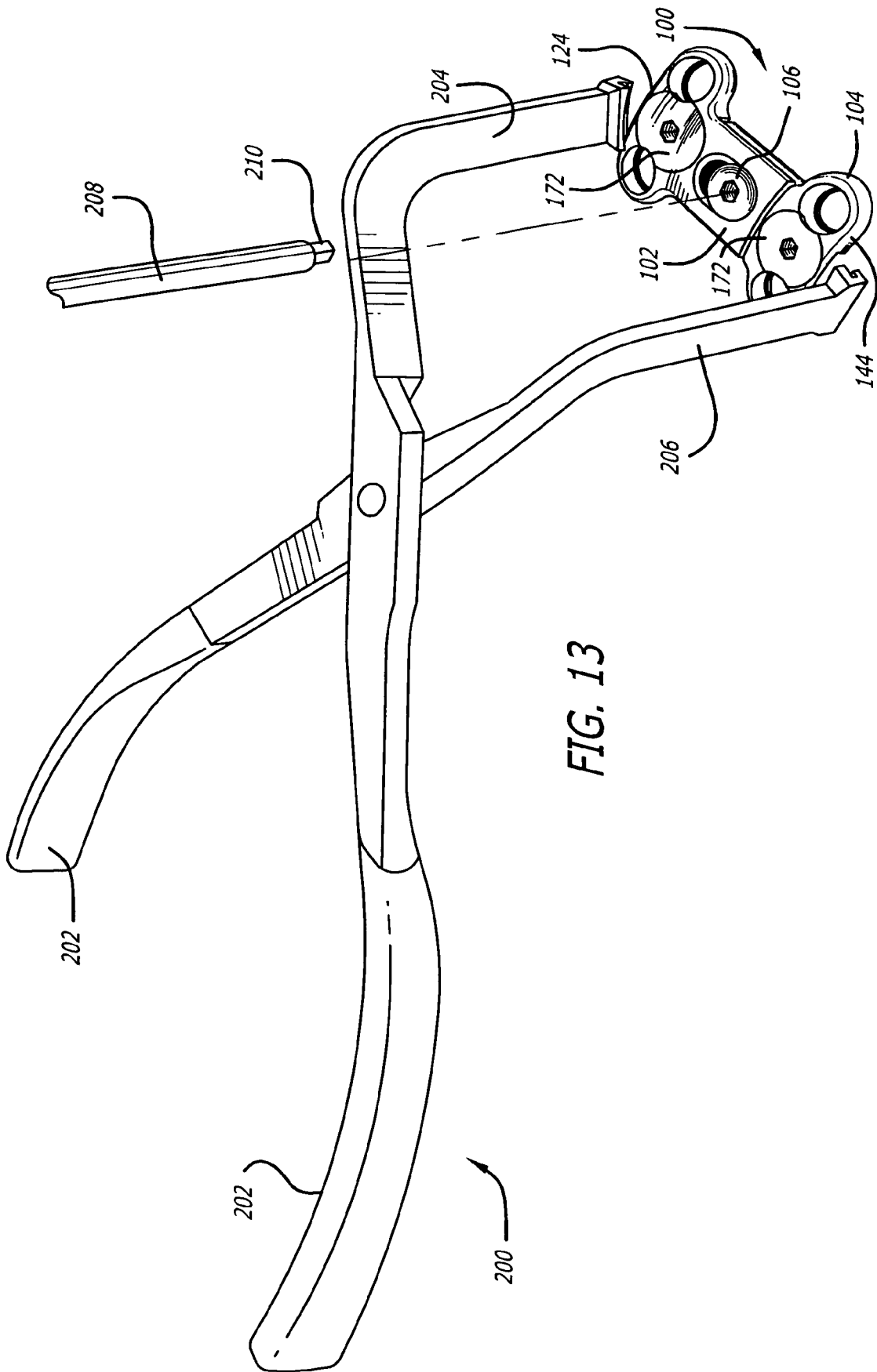


FIG. 13

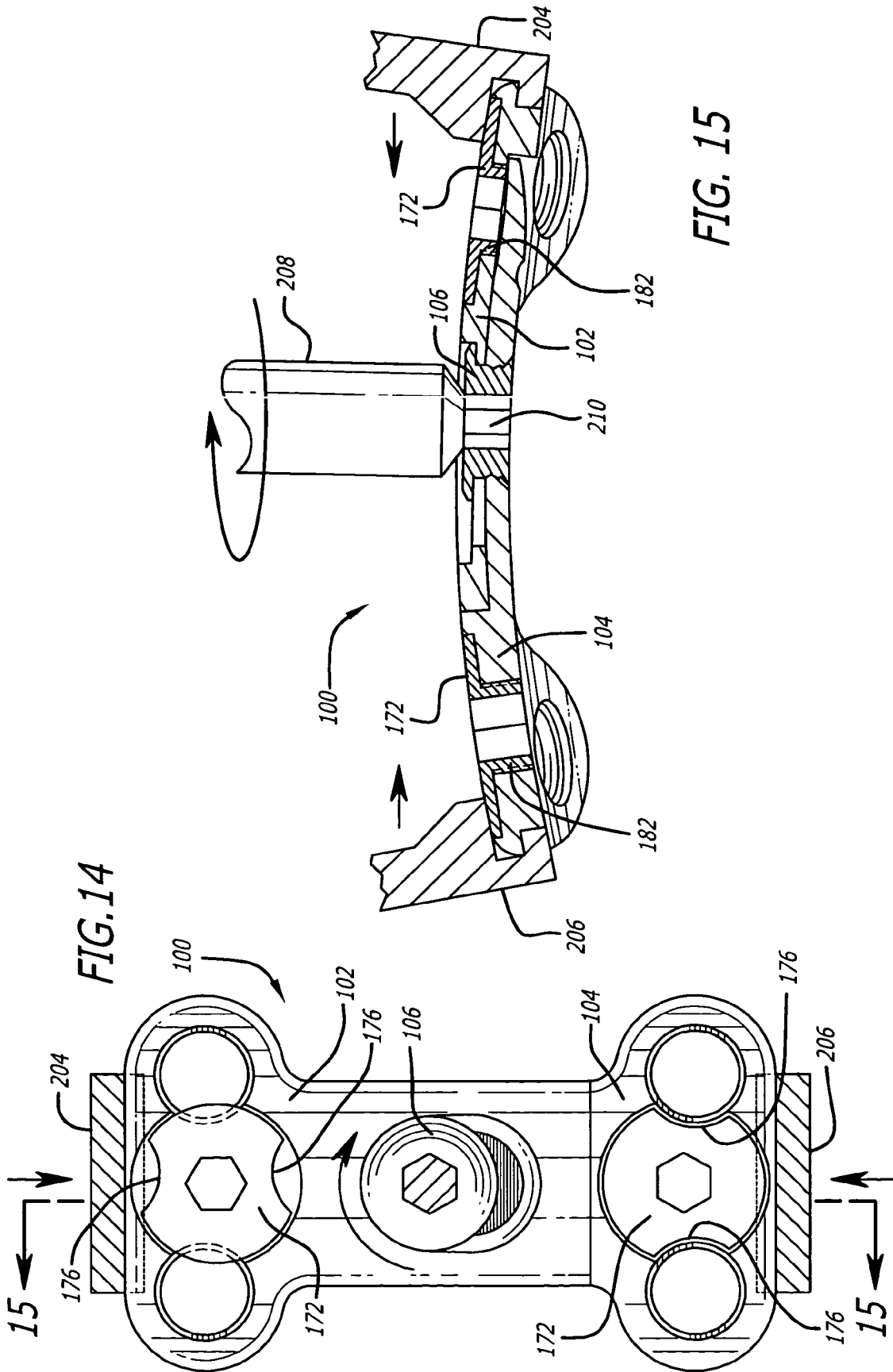
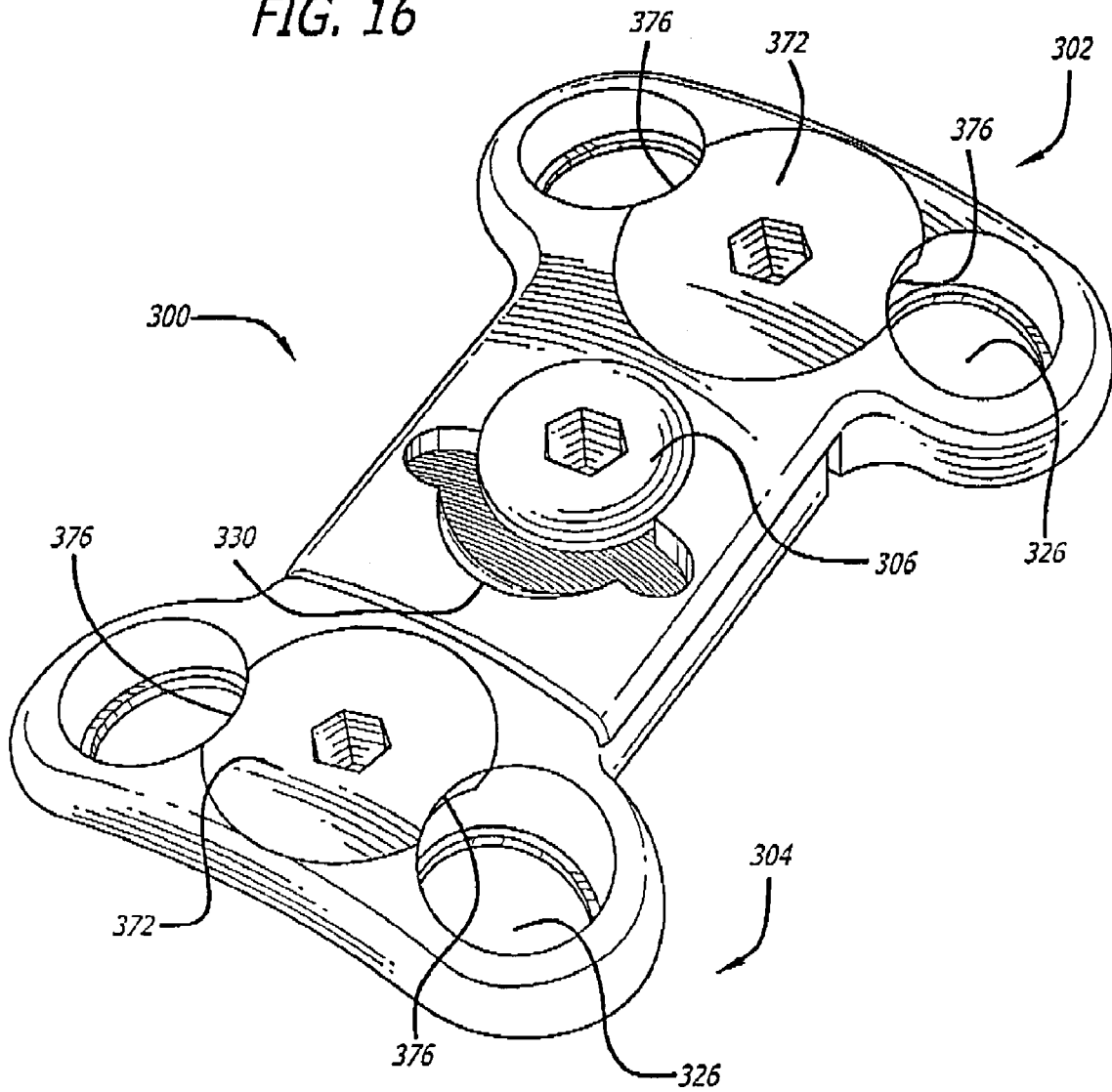
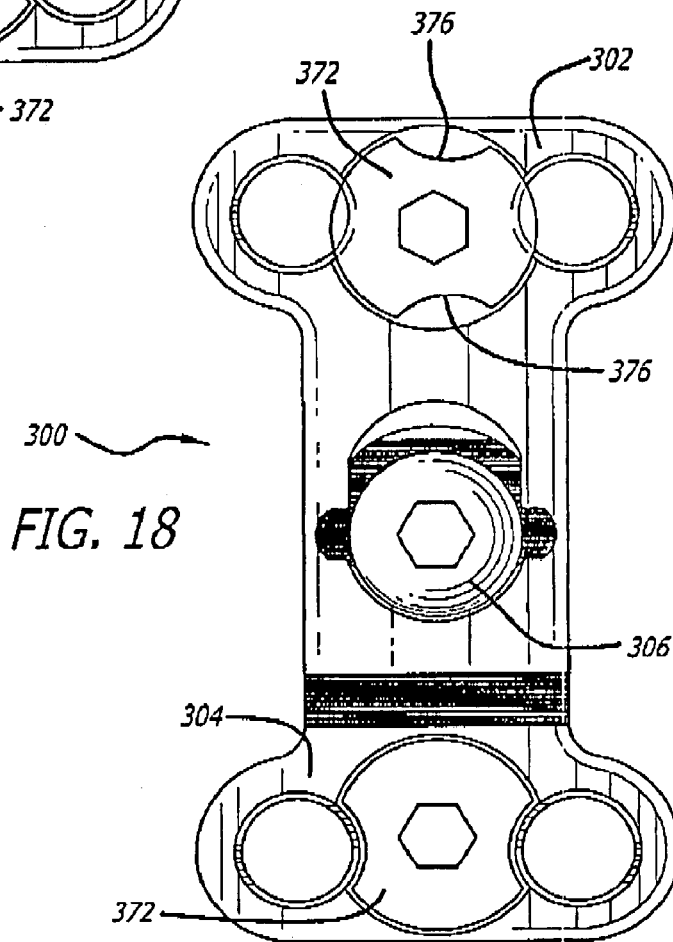
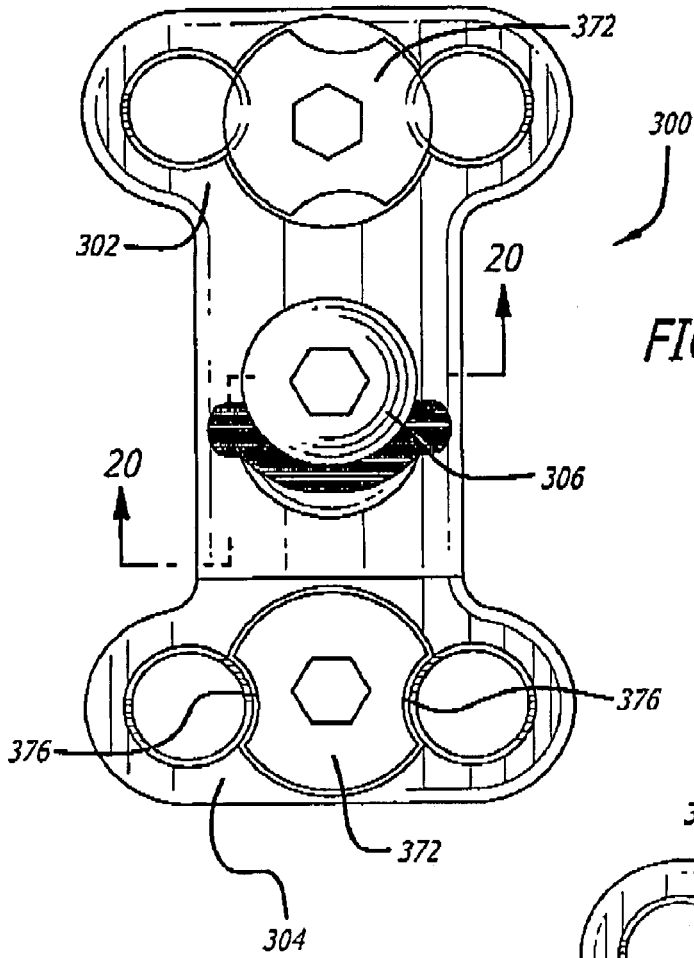


FIG. 14

FIG. 15

FIG. 16





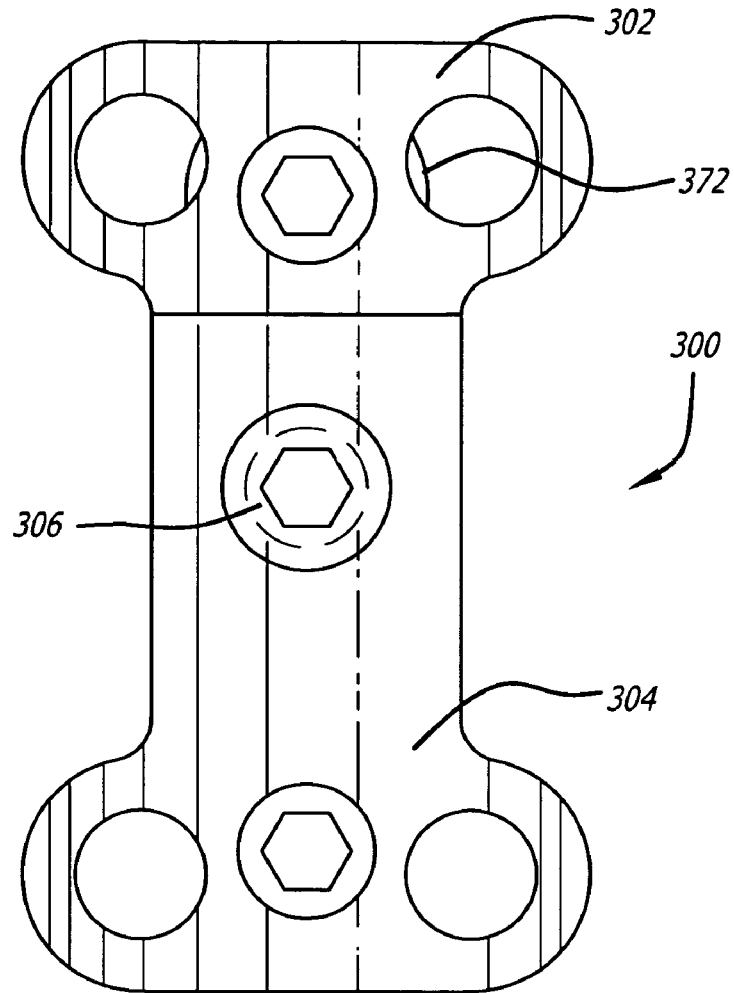


FIG. 19

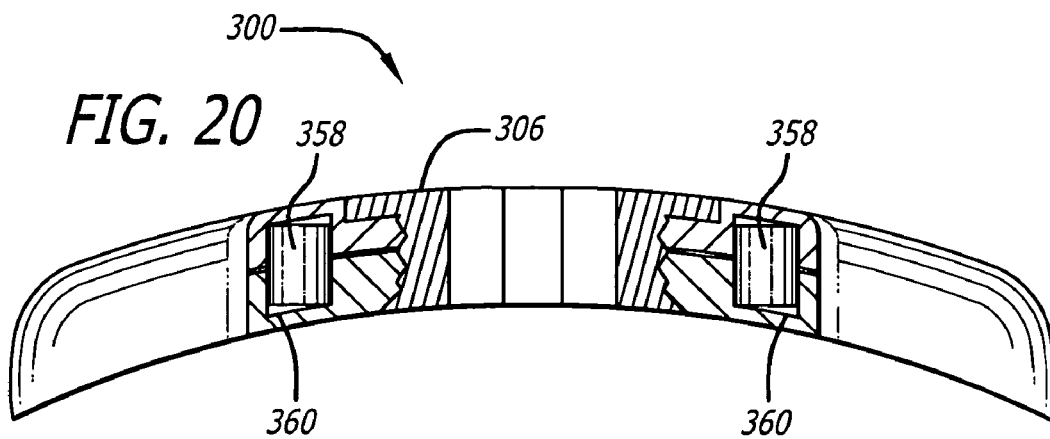
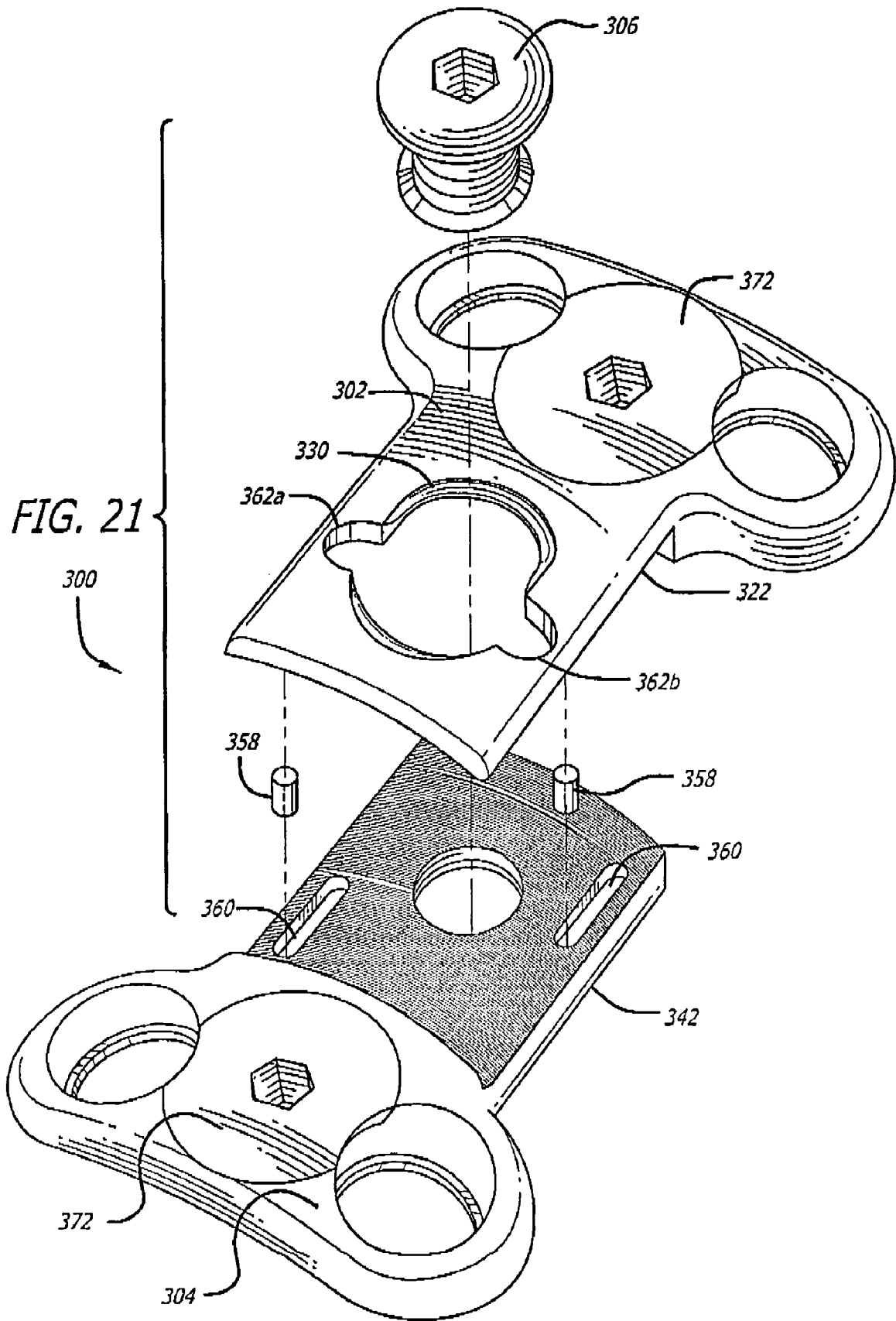


FIG. 20



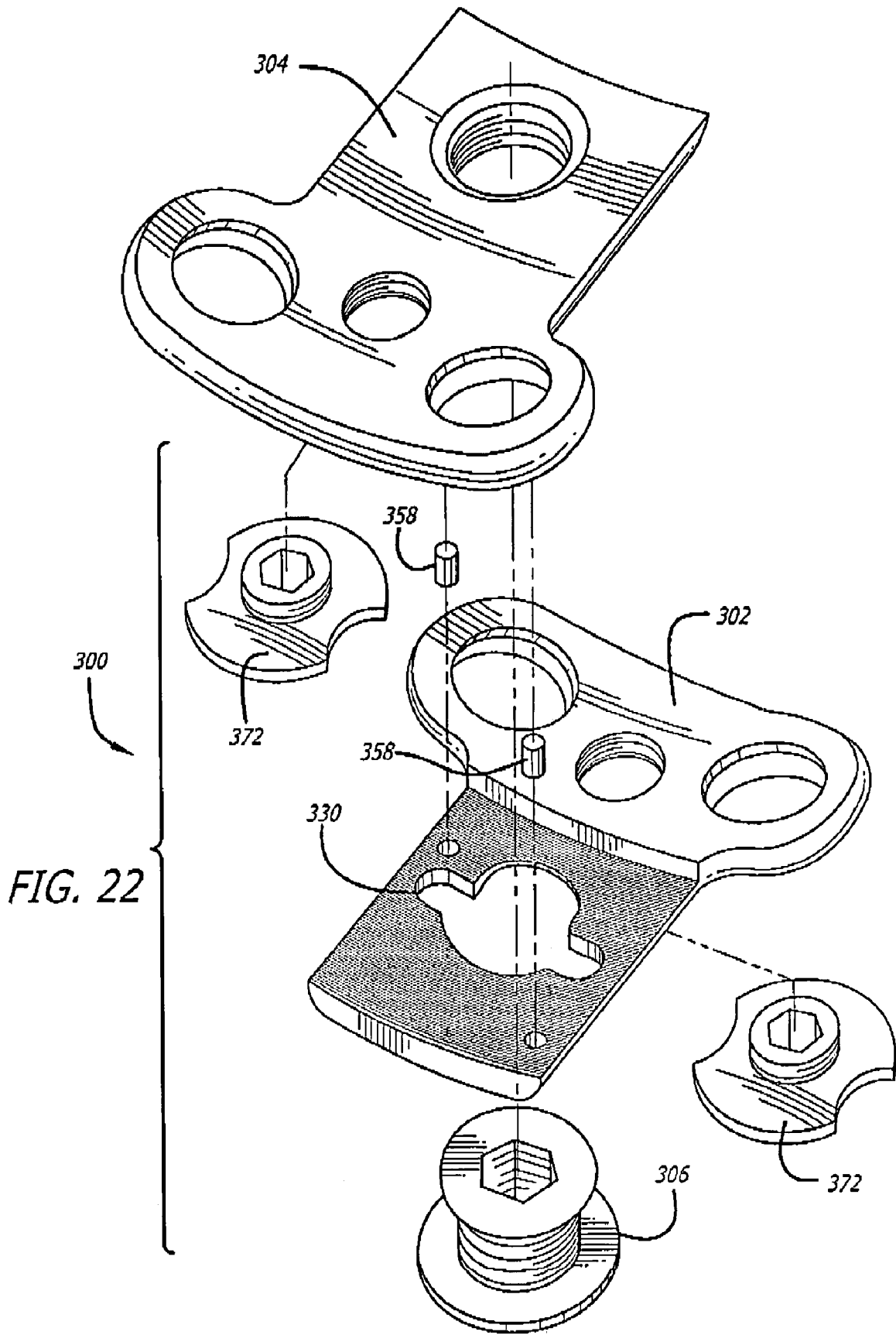
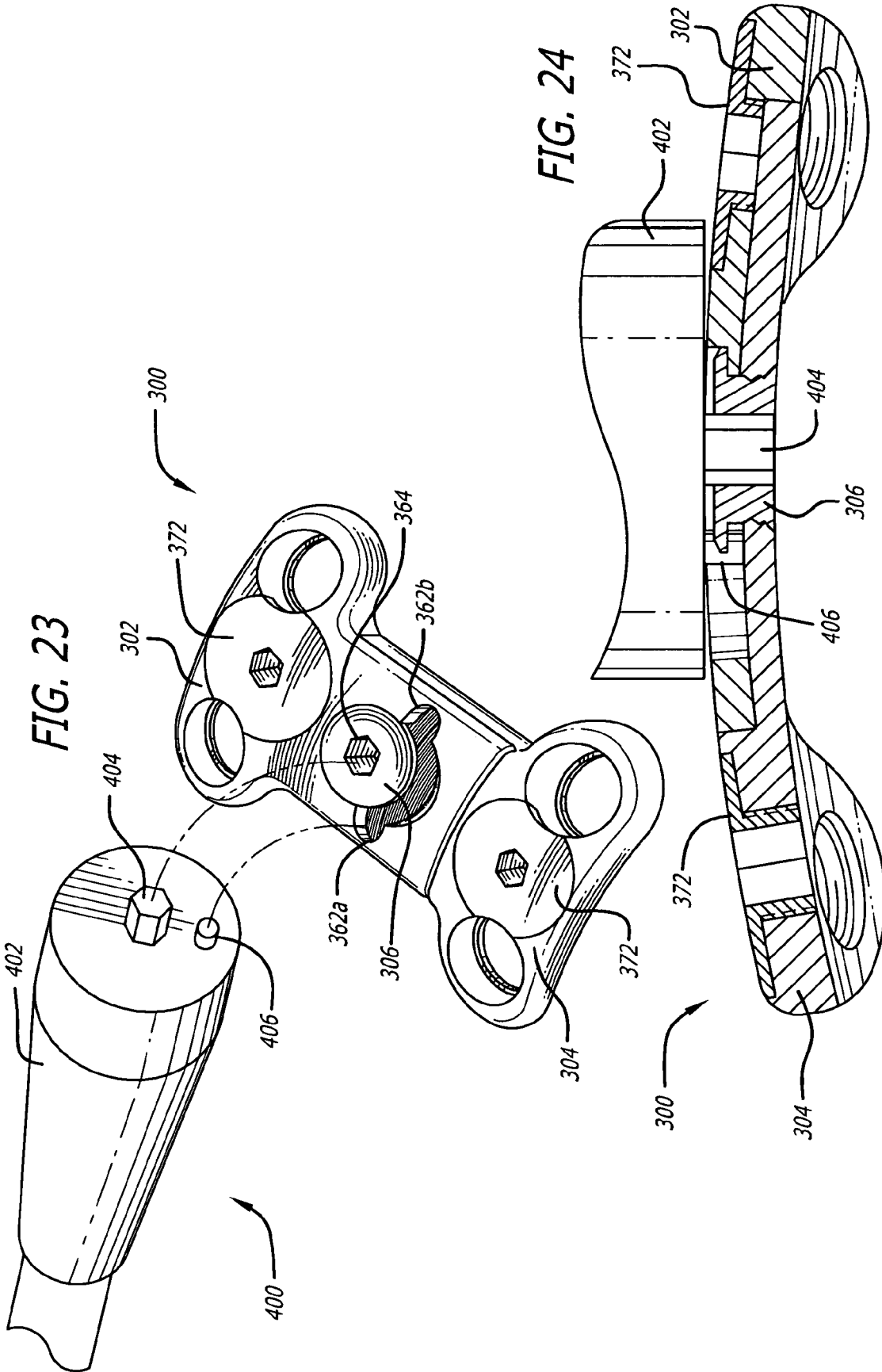


FIG. 22



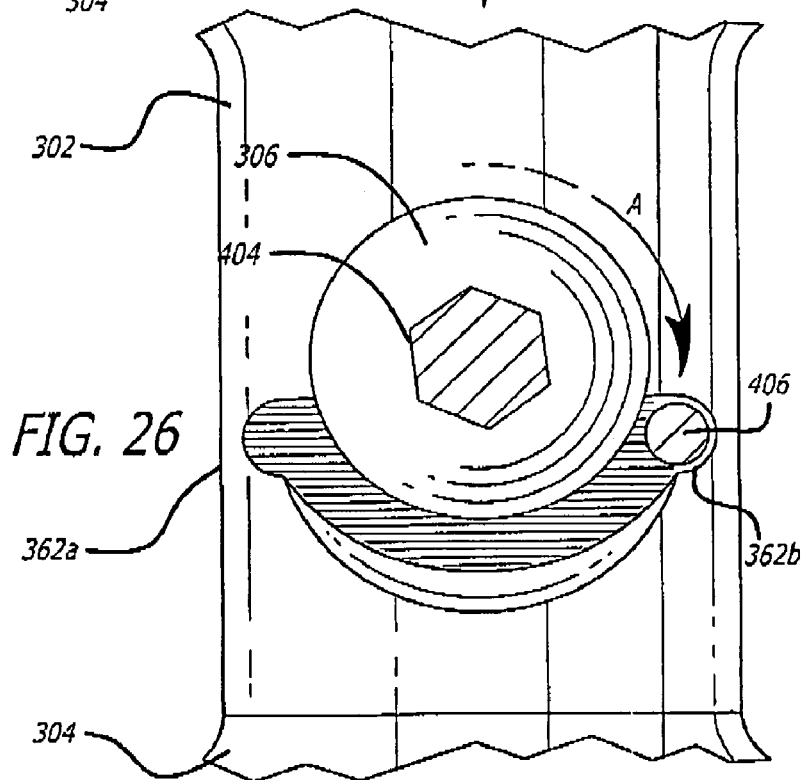
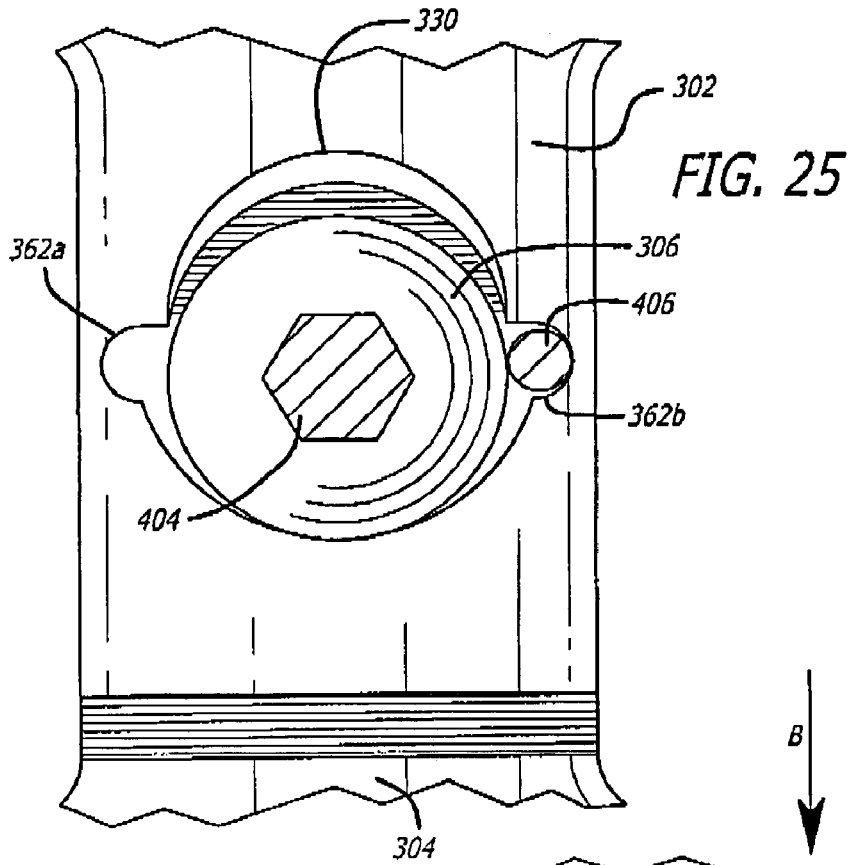


FIG. 27

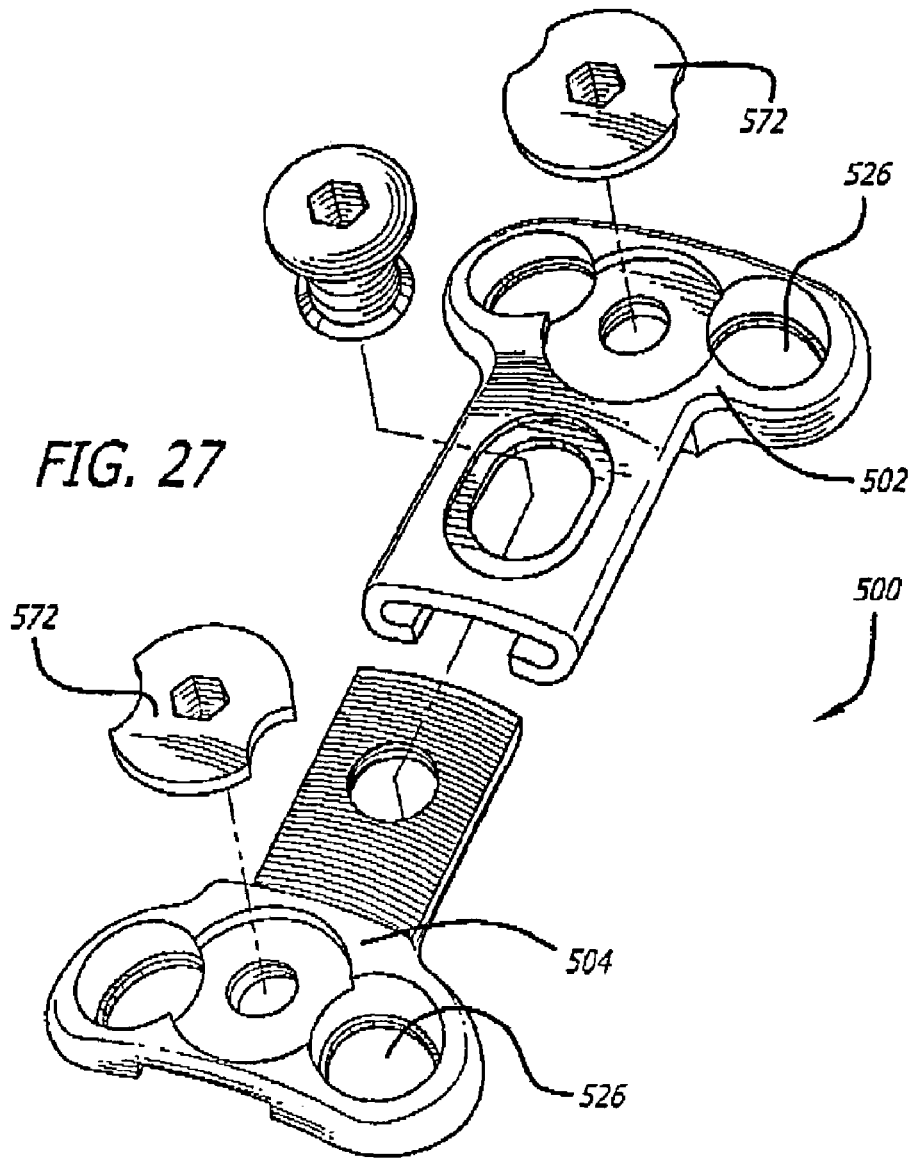


FIG. 28

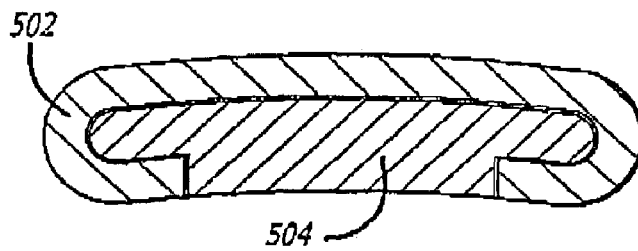
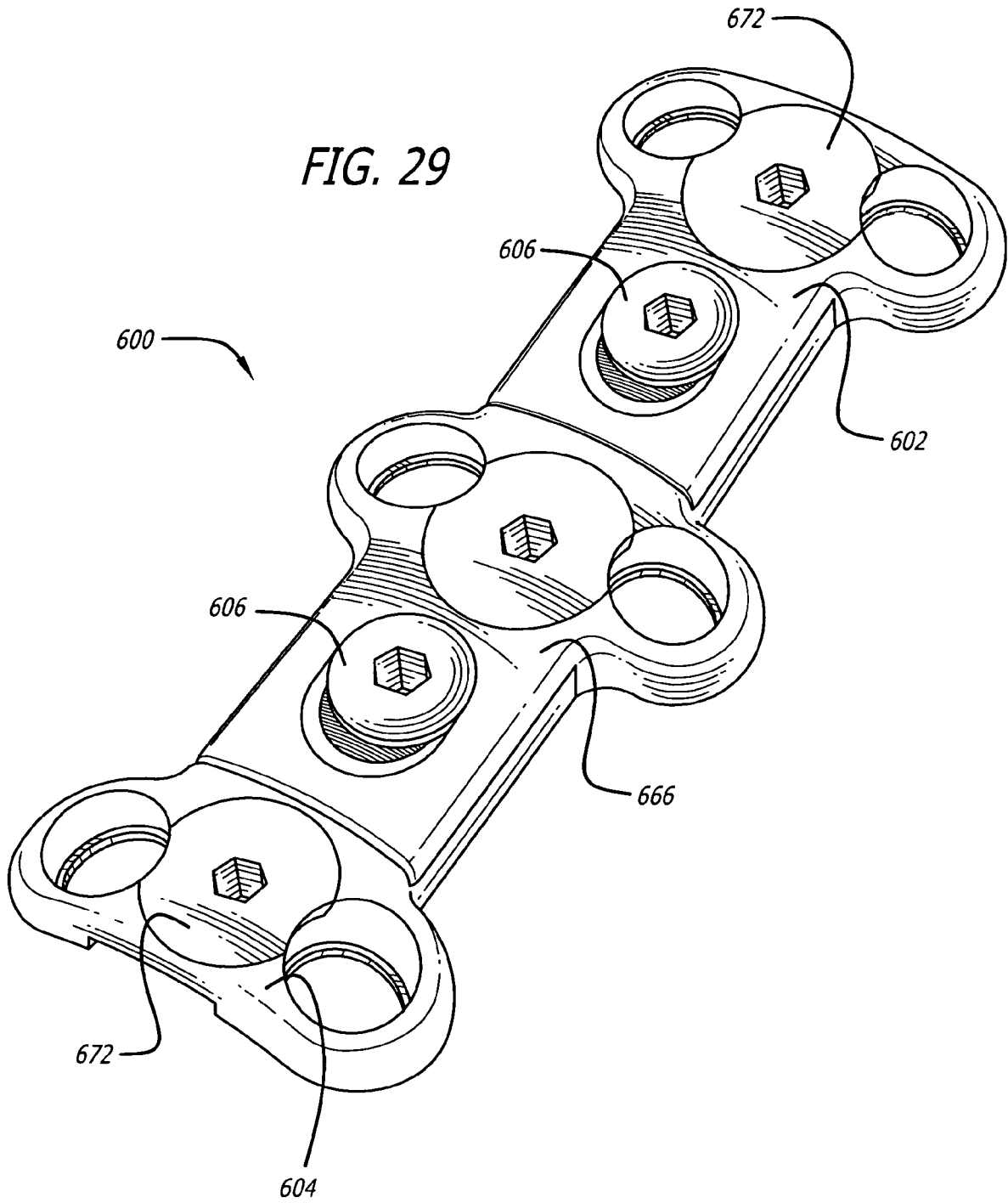
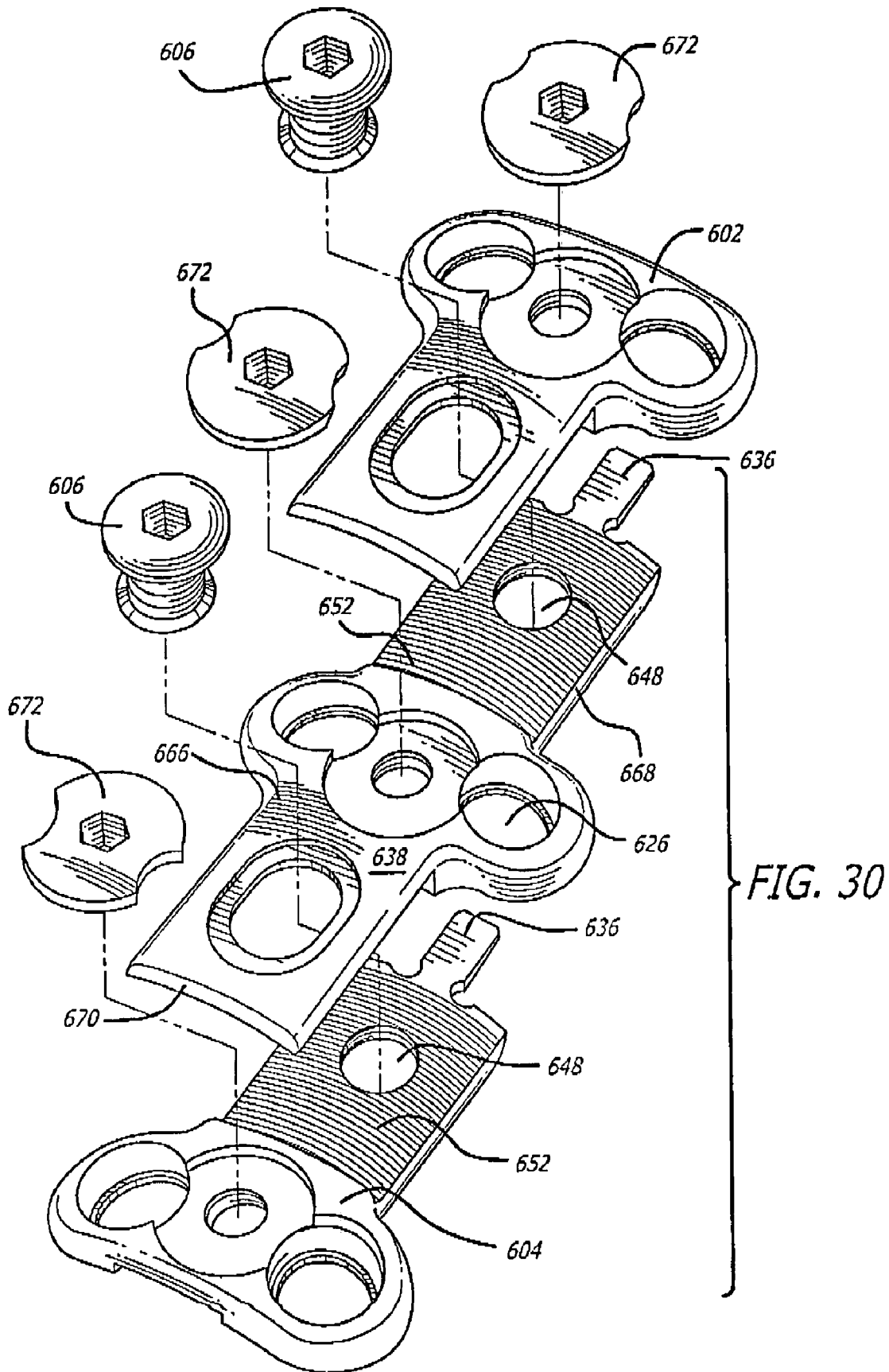
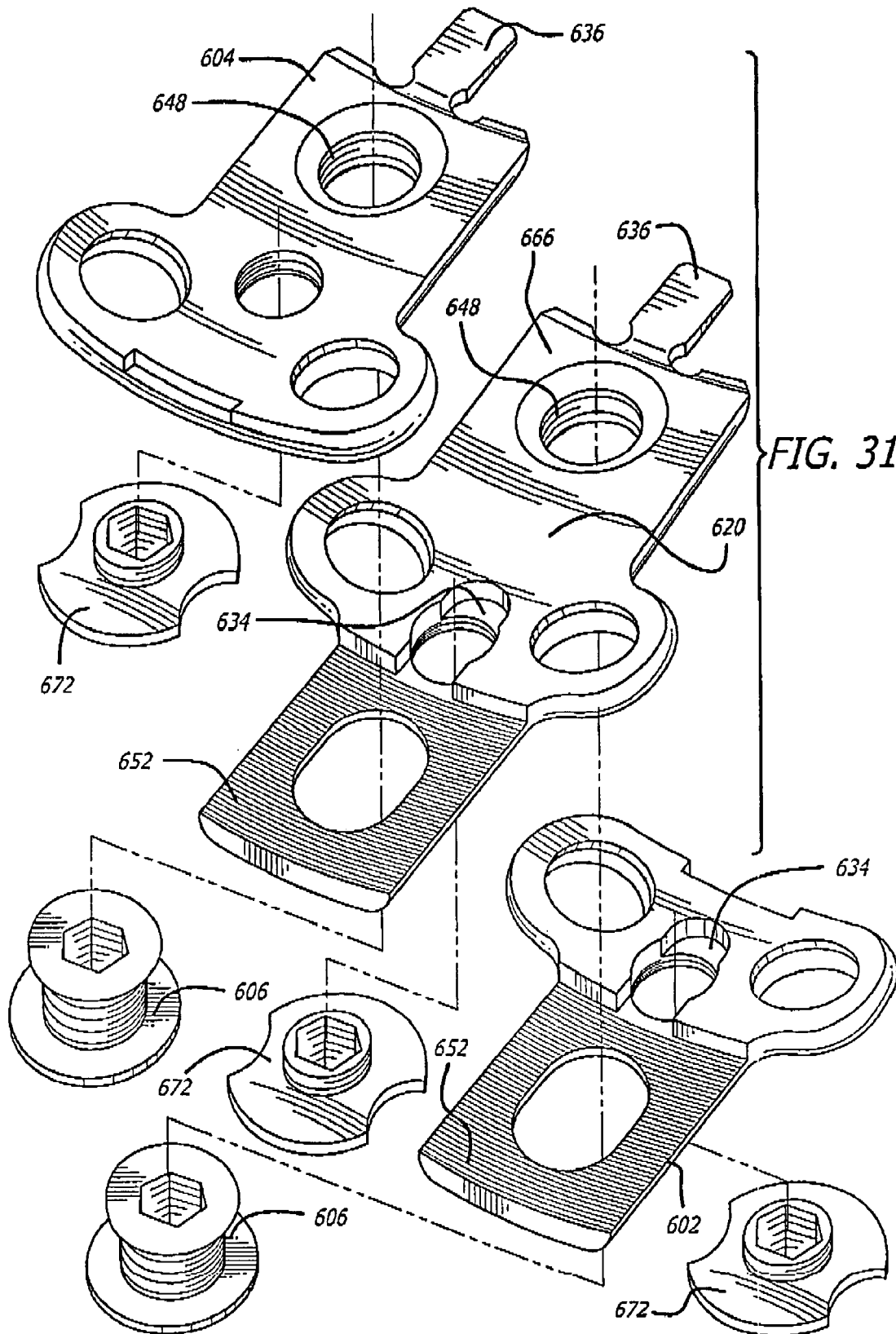
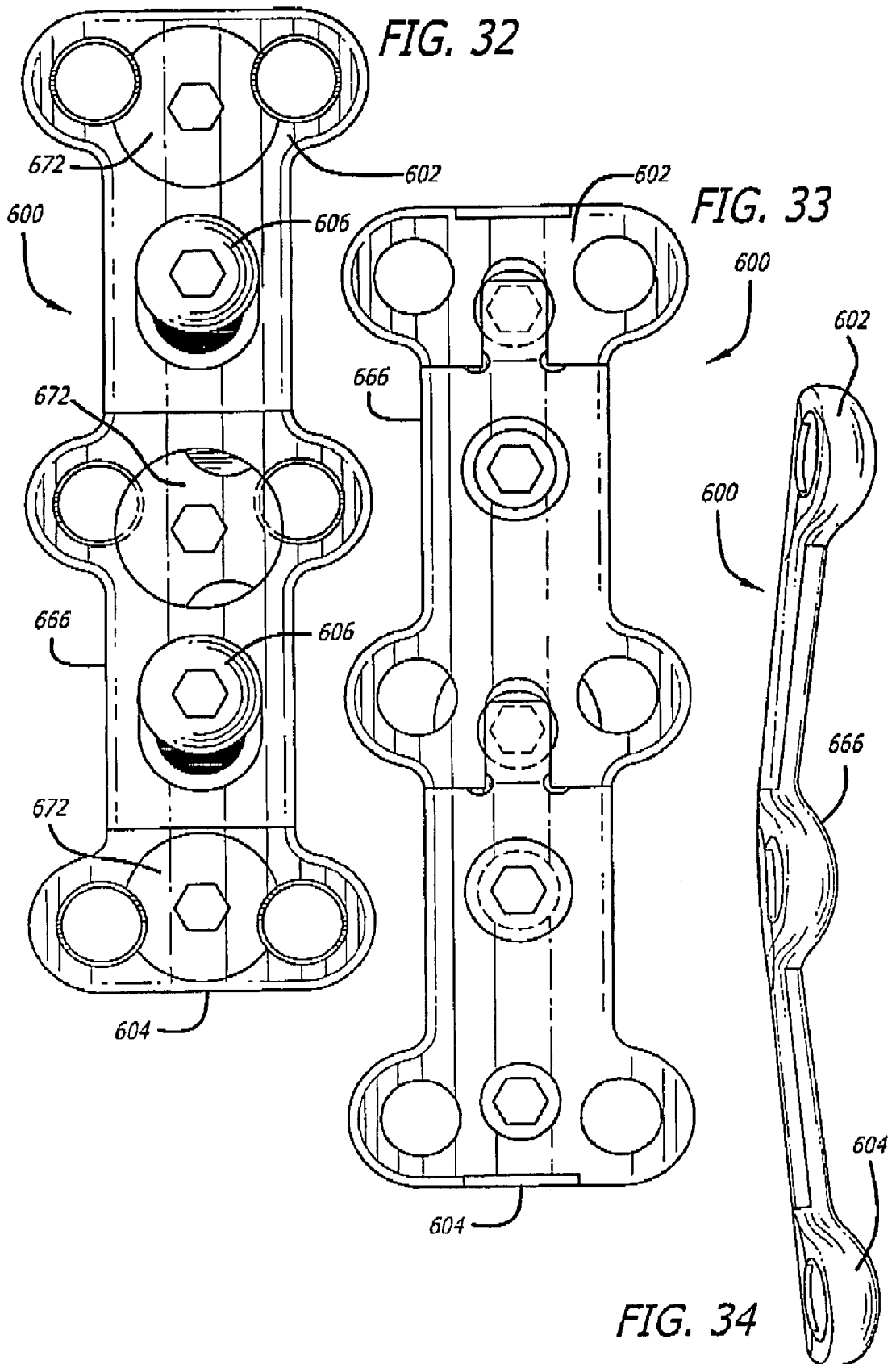


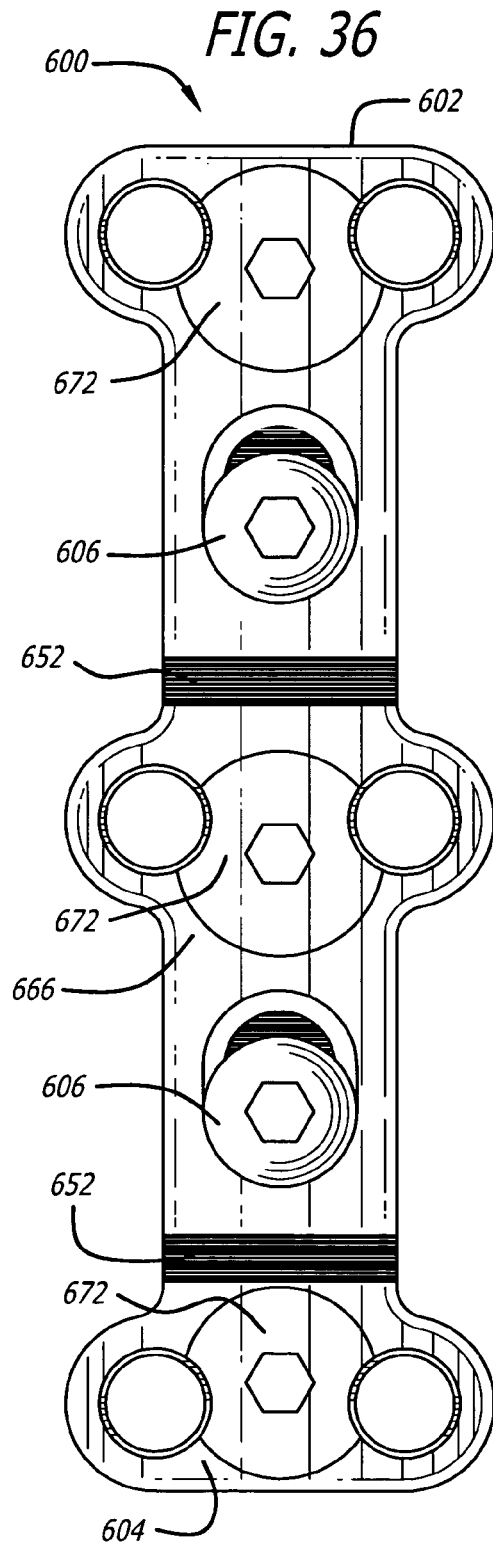
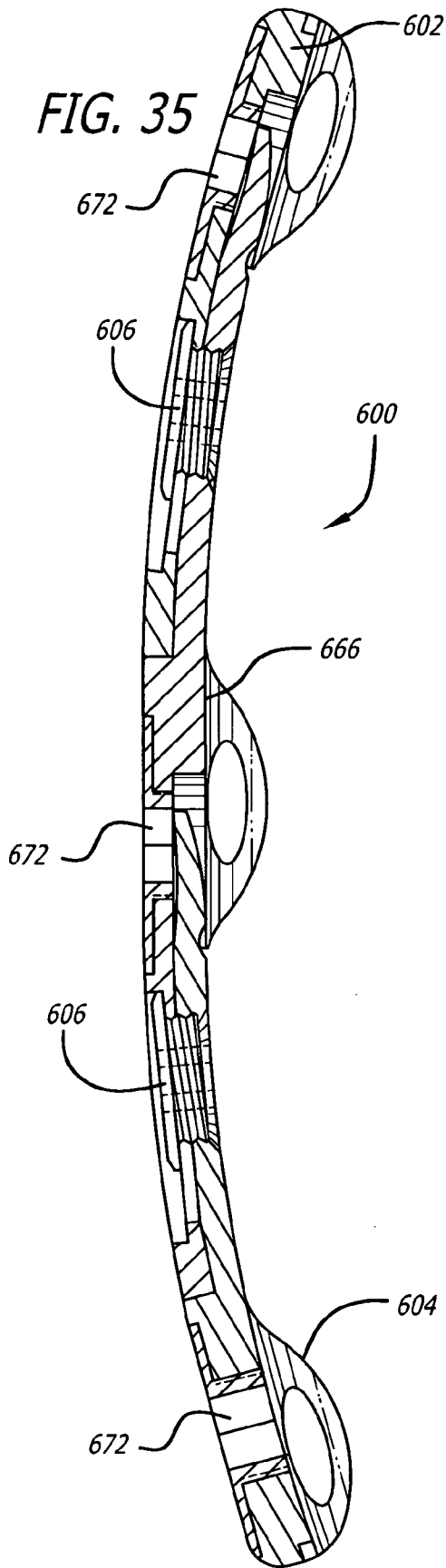
FIG. 29

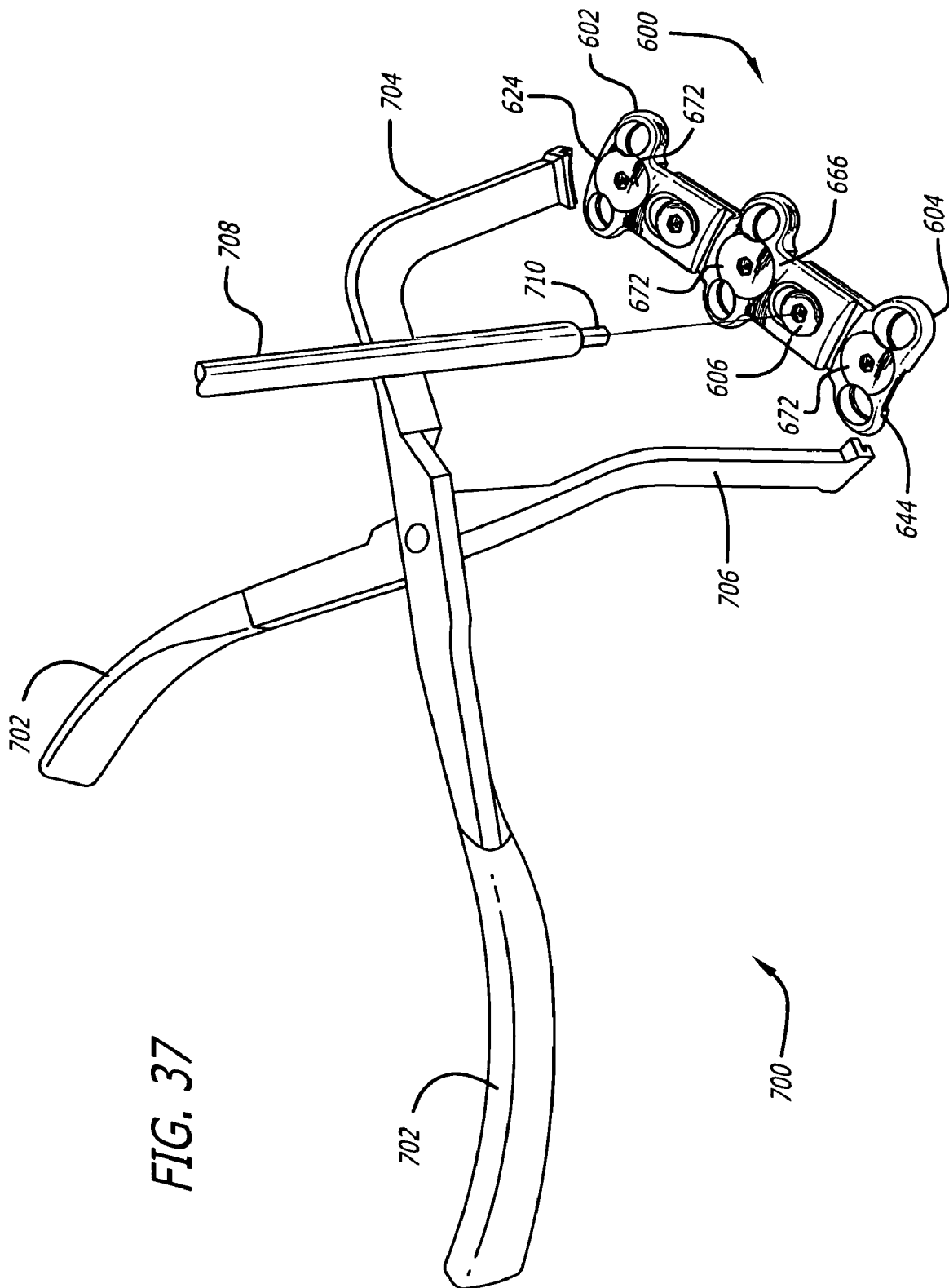












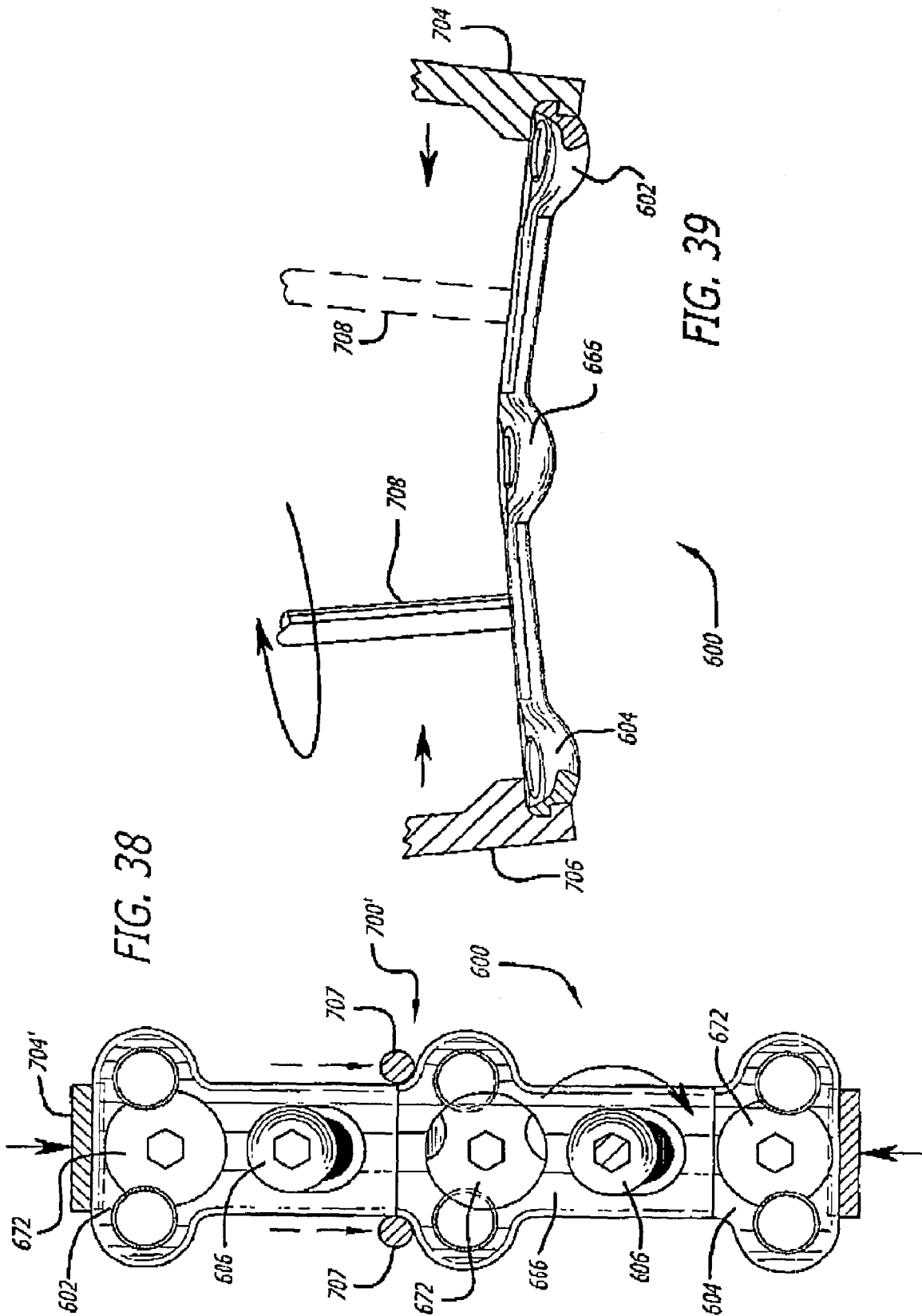
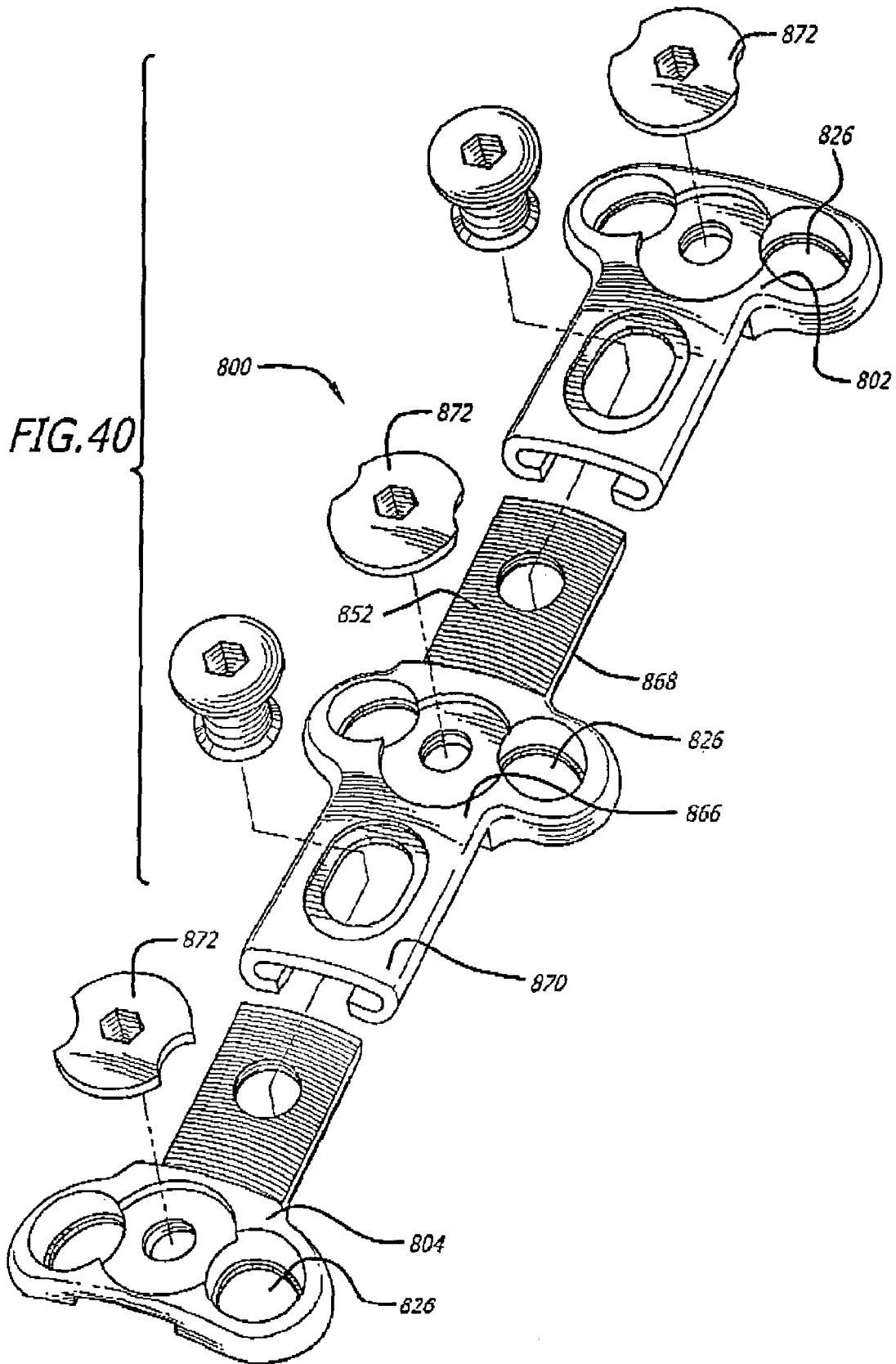
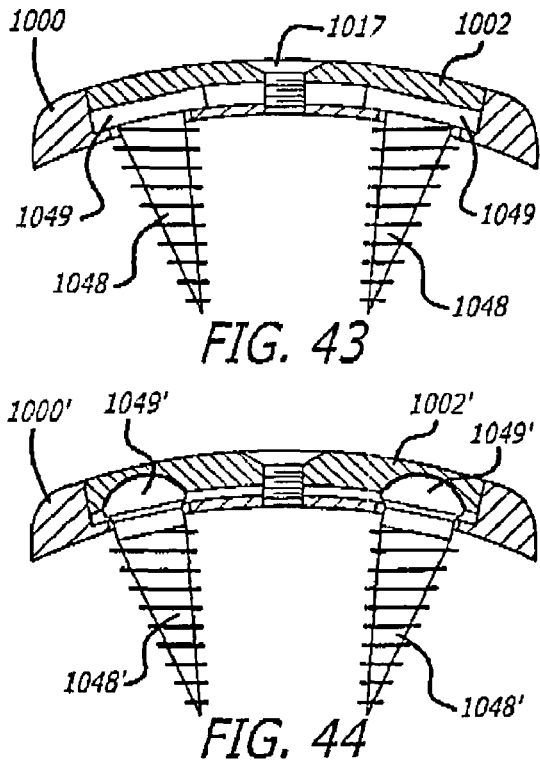
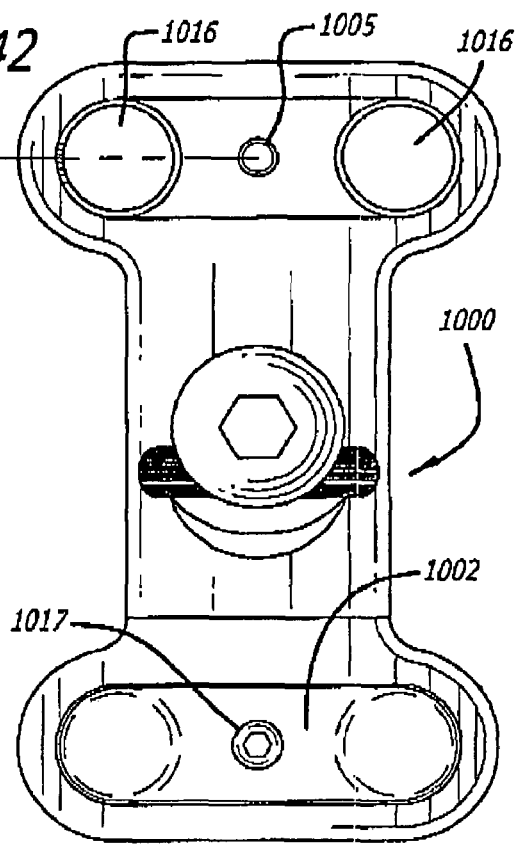
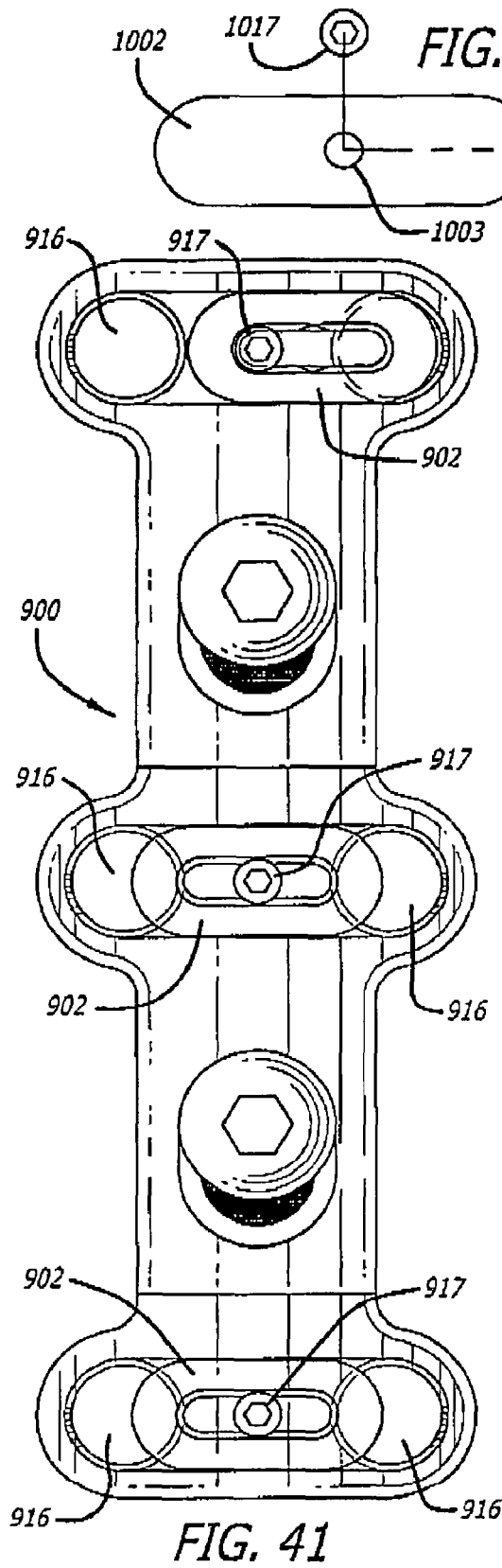


FIG. 38

FIG. 39





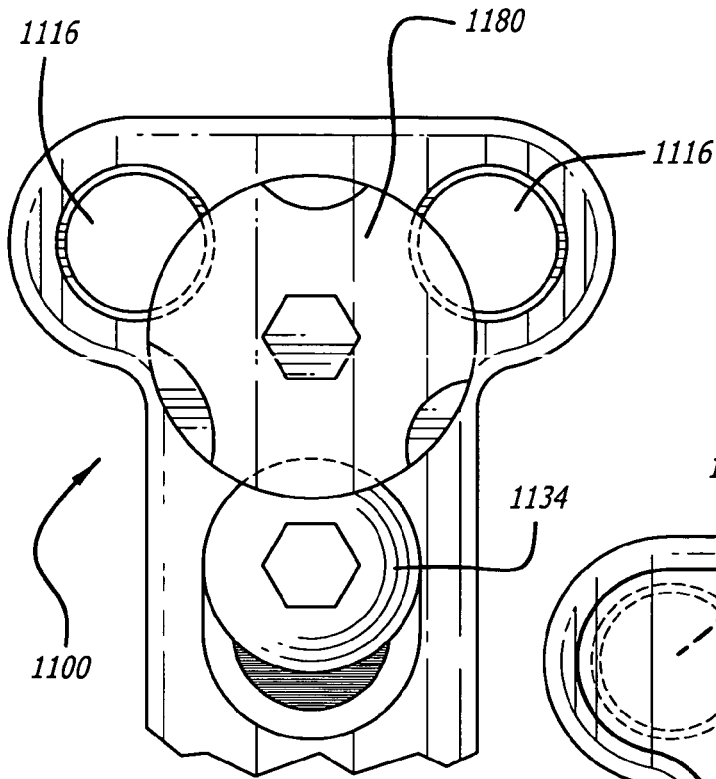


FIG. 45

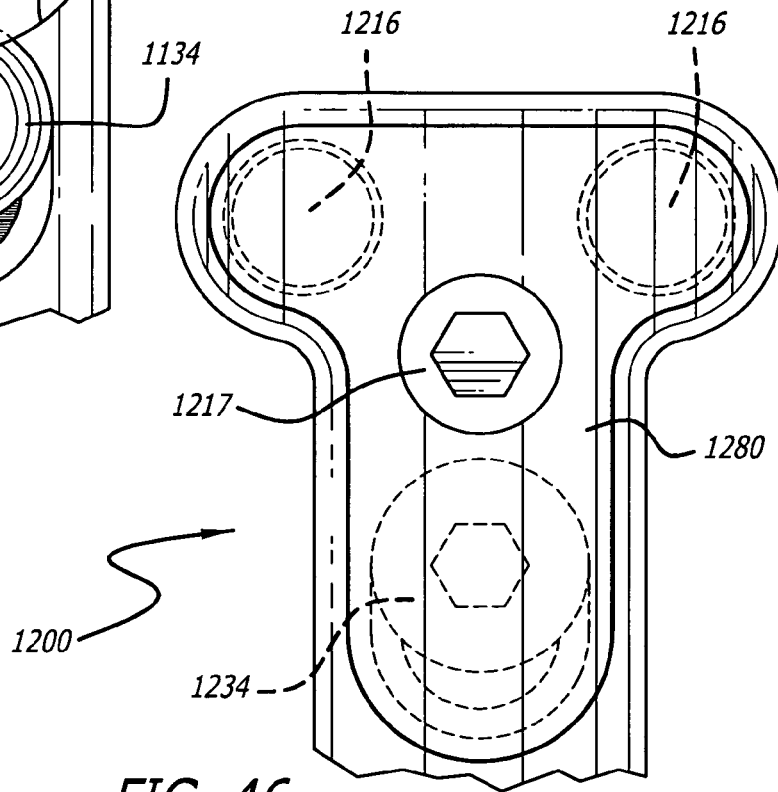


FIG. 46

**METHOD FOR INSTALLING DYNAMIC
MULTILOCK ANTERIOR CERVICAL PLATE
SYSTEM HAVING DETACHABLY FASTENED
AND MOVEABLE SEGMENTS**

RELATED APPLICATIONS

This application is a divisional of application Ser. No. 10/160,407, filed Jun. 4, 2002; now U.S. Pat. No. 7,044,952 which claims the benefit of provisional Application No. 60/296,681, filed Jun. 6, 2001, and provisional Application No. 60/379,589, filed May 9, 2002; all of which are incorporated by reference herein.

BACKGROUND

The use of plates, screws, and locks to prevent separation and backing out of screws from the plate, for use on the anterior aspect of the cervical spine to provide alignment and stability as an adjunct to fusion of adjacent vertebral bodies is known in the art. Also known in the art is that compressive load, within a physiological range across a fusion site, is beneficial to the fusion process. Conversely, a failure to maintain a compressive load across a fusion site, or to have a gap in the fusion construct continuity may lead to a failure to achieve fusion called pseudoarthrosis. A primary purpose of the aforementioned cervical hardware is to provide stability during the healing and fusion process. The fusion process occurs in part through a process called "creeping substitution" by which new living bone replaces the dead bone such as that of a bone graft. The fusion process involves a phase of bone resorption as preliminary to the formation of the new bone. It is possible then for the bone resorption to result in gaps in the continuity of the fusion mass, such that if the hardware is sufficiently rigid, such as occurs as a result of increasing the strength of the components and constraining the relationship of the screws to the plate, those gaps may persist and increase in size as the hardware holds the bone portions separated rather than allowing those bone portions to move together to close those gaps. This holding apart of the bone portions (called distraction) can therefore lead to a failure of fusion (pseudoarthrosis). These rigid systems by a combination of not inducing compression at the fusion site and of holding the bone portions to be fused apart may cause a "distraction pseudoarthrosis."

Alternative cervical plating systems have attempted to prevent distraction pseudoarthrosis by allowing the vertebral bodies to collapse towards each other as needed during the fusion process. Generally this has been done by allowing the bone screws to be free to move relative to the plate, that is, movement such as sliding, swiveling, rotating, and angulating, independent of whether the screws are prevented from separating or backing out of the plates such as by the use of locks. Undesired multidirectional instability can occur in such plating systems that is counter to the very purpose of such hardware which is to increase or provide for stability.

Another approach to solving this problem has been to attach by screws a block to each of the vertebral bodies to be fused and then to allow those blocks to slide up and down on a pair of rods. Each of these constructs have in common that they sacrifice stability, the ability to hold the bones to be fused rigidly in place and prevent undesired motion; for the ability to allow, but not cause the vertebral bodies to collapse.

There exists therefore a need for an improved anterior cervical plating system that is: (1) sufficiently rigid to maintain the desired alignment of the vertebral bodies to be fused; (2) capable of inducing compressive load across the fusion

site; and/or (3) capable of allowing for the motion of the vertebral bodies towards each other to prevent or to close any gaps in the continuity of the fusion construct, while still being capable of preventing motion in all other directions. When similar challenges have been faced at other skeletal locations, the solution involved anchoring the bone screws through the far cortex of the bone portions to be joined, in effect anchoring the screws in such a way as to make it possible for the screws to force movement of the plates. In the cervical spine anteriorly, however, it has been found to be highly undesirable to drive the bone screws through the far cortex of the vertebral bodies, as this is where the spinal cord is located. There remains therefore a need for an improved cervical plating system as just described that does not require that the bone screws penetrate the far cortex to achieve the desired purpose as described.

The size of the vertebral bodies and the spacing between the vertebral bodies varies from patient to patient. The height of the vertebral bodies and the discs therebetween may vary level by level even in the same person. Thus, a plate of correct length does not necessarily have bone screw receiving holes correctly positioned to overlie the vertebral bodies in accordance with the spacing of the vertebral bodies to which the plate is to be applied. As a result, conventional plating systems of the past had to be manufactured in many different lengths and spacing configurations which were nevertheless fixed in an attempt to provide plates for many, though still possibly not all, of the various sizes and spacings of the vertebral bodies to which the plate was to be applied. For example, in a multi-segment plate the length of the plate would need to correspond to the overall length of the vertebral bodies to be joined and actual distances therebetween and the screw holes of the plate arranged to overlie the vertebral bodies. In order to cover the possible range of sizes, health care facilities would need to carry a large inventory of different sizes of plates, in some cases as many as sixty different sized plates would be needed. Such a large inventory is an expensive undertaking and still worse, facilities with a high caseload need to invest in more than one of each plate size to provide for the possibility of overlapping demand for the same plate size. Facilities with lower caseloads may find it prohibitively expensive to stock an inventory of plates sufficient to cover the range of possible sizes and thus might not be able to afford to stock a set at all or have less than all sizes of plates needed for all cases. Manufactures cannot afford to place a set of plates on consignment in facilities with low caseloads as the number of sales would not cover the carrying costs of the plates.

There exists therefore a need for an improved anterior cervical plating system that (1) allows for the overall adjustability of the length of the plate; (2) allows for variations in spacing between the bone screw receiving holes of the plate portions corresponding to the attachment point of the plate to the vertebral bodies; (3) reduces the requisite plate inventory; and (4) can avoid or prevent distraction pseudoarthrosis without itself introducing multidirectional instability.

SUMMARY OF THE INVENTION

The present invention is a dynamic anterior cervical plating system including a plate comprising segments in moveable relationship to each other adapted to allow for the overall adjustability of the length of the plate and for variations in the intersegmental spacing of the bone screw receiving holes, create and/or store a compressive load across a disc space between two adjacent vertebral bodies to be fused, and/or allow motion of the vertebral bodies toward each other to

prevent or close gaps in the continuity of a fusion construct, while preferably preventing motion in all other directions when in use. As used herein, a spinal fusion segment is defined as two vertebral bodies with an intervertebral implant, made of bone or an artificial material, in the disc space therebetween. As used herein, a fusion construct is defined as a spinal fusion segment plus the hardware, such as a plate and screws for example.

The ability to permit the movement of adjacent vertebral bodies toward one another is referred to herein as “dynamization.” Dynamization may be “passive” allowing the plate to shorten when a shortening force, such as a compressive load is applied. Dynamization may be “active” wherein the plating system stores energy to induce shortening of the fusion construct should the opportunity present. The present invention plating system may passively dynamize, actively dynamize, provide a combination of both, as well as convert and store certain compressive stresses encountered during the healing phase as will be more fully described herein.

The plate segments can also be moved to vary the spacing between the plate segments as well as the overall length of the plate so that the size of the plate may be adjusted to correspond to a range of sizes and spacing of the adjacent vertebral bodies to which the plate is being applied thereby greatly reducing the inventory of plate sizes needed. The moveable plate segments combine to form the plate. Each plate segment is attached to a vertebral body to be fused by at least one bone screw and preferably a pair of bone screws, which when inserted, are preferably prevented from backing out of the plate by at least one locking element adapted to lock at least two bone screws to the plate.

The paths of the bone screws through the plate may be fixed or variable. If the paths are variable, they may be more or less stable depending on how resistant to motion the screws are relative to the plate when the screws are locked to the plate. To the extent that screws are sufficiently stable in relation to the plate to make use of the present inventive teaching, these screw, plate, and lock combinations or variations thereon are also within the broad scope of the present invention.

In a first embodiment of the present invention, after each of the segments of the plate are attached to a respective one of the vertebral bodies to be fused, the plate is capable of movement from a first or elongated position to a second or shorter position, a process generally referred to as “passive dynamization”—that is the ability of the system to allow the plated spinal segment to shorten in response to unmet compressive loads to allow for the bone portions to be fused to move close together to restore contact. A preferred embodiment of this present invention is capable of allowing for this passive dynamization while preventing undesirable motions along and around all axes other than the motion along the longitudinal axis of the plate.

In another preferred embodiment of the present invention, the plate segments are articulated in such a way that even the one freedom of movement that is along the longitudinal axis of the plate is selectively limited to the desired passive dynamization—that is shortening of the plate construct. This preferred embodiment of the present invention will shorten as required to maintain loaded contact of the bone portions to be fused, and if challenged, resist any forces such as those that would accompany cervical extension that would distract or destabilize the construct by elongating it. A further benefit of this embodiment is its ability to store and impart a compressive load across the fusion site referred to herein as “active dynamization” wherein energy stored in the system shortens the plate construct if conditions permit. This load can be applied by the surgeon at the time of surgery and/or be pro-

duced during the healing phase by harnessing the compressive loads such as occur randomly with neck motion. Compressive load within a physiological range has been shown to have a beneficial effect on the healing of bone. The induction of a compressive load across vertebral bodies to be fused, induces bone growth and when bone resorption occurs at the interface of the graft or implant and the vertebral bodies to be joined, those vertebral bodies are urged to move closer together, thus avoiding the formation of a gap therebetween and thereby acting to mitigate against pseudoarthrosis.

Alternatively, various embodiments of the present invention allow the surgeon to induce a desired amount of preload (compressive force) across the fusion site and to permit a desired amount of shortening of the construct—“active dynamization” should the opportunity occur; and yet lock the system to prevent any further shortening as might present a risk of deformity or be otherwise undesirable. Such a system urges the bone portions closer together.

In a preferred embodiment, a pre-load force can be applied to the plate segments such that while the plate segments may undergo no added motion initially, there is a selective force applied to the plate segments and the plate segments are capable of motion in only one direction, such that should resorption occur at one of the fusion interfaces then the plate segments are not only free to move in a direction toward one another, and only in that direction, but are also urged to do so to relieve that preload force. Such a system urges the vertebral bodies together over time as resorption permits.

Alternatively, in another embodiment of the plate of the present invention, a desired amount of preload (compressive force) may be induced across the fusion site to permit active dynamization should the opportunity occur, without locking the system such that after active dynamization is exhausted (if exhausted), then the plate will still allow passive dynamization to occur thereafter.

In another embodiment of the present invention, the plate includes a structural feature such as a groove, recess, slot, cam, or pivot, within its physical perimeter to engage a tool to cooperatively move segments of the plate towards each other. These embodiments of the present invention may be adapted to allow for passive, active, or active plus passive dynamization, and when used to store compressive load to allow for or prevent further motion thereafter. In a preferred version of the this embodiment, the structural feature contained within the plate for generating the compressive load and/or shortening the plate, may also serve as the locking mechanism to limit the amount of further shortening possible.

Various embodiments of the plating system of the present invention provide one or more of the following advantages:

1. Reduces the requisite plate inventory as each plate may cover a range of sizes. The plate may have its segments moved relative to one another so that the spacing between the plate segments may be adjusted so as to correspond to the actual distances between the vertebral bodies to be fused in a multi-segment construct for a more precise fit. The height of the discs and the vertebral bodies may vary level by level even in the same person. Thus, the ability to adjust the distances between the segments of the plates that correspond to the attachments to those vertebral bodies allows for a more precise fit of the plate to the spine with a reduced inventory of the number of plates required to do so.

2. It is possible to precisely contour each segment separately.

3. Reduces the risk that the plate construct will be discovered to be too short or too long after the attachment process has commenced.

5

4. It is possible to compress and dynamize levels selectively.

5. The fasteners that link the segments can be tightened to lock the segments after they are compressed or, alternatively, can allow for further motion of the plate segments together.

6. The same hardware can provide for passive dynamization or be rigidly fixed depending on the fasteners used to link plate segments.

7. The system can allow for passive dynamization, active dynamization, the combination of passive and active dynamization, or can convert body motion into active dynamization.

BRIEF DESCRIPTION OF THE DRAWINGS

FIG. 1 is an exploded top perspective view of a plate, a fastener, and locking elements in accordance with a preferred embodiment of the present invention.

FIG. 2 is an exploded bottom perspective view of the plate, fastener, and locking elements of FIG. 1.

FIG. 3 is a top plan view of the plate, fastener, and locking elements of FIG. 1.

FIG. 4 is a bottom plan view of the plate, fastener, and locking elements of FIG. 1.

FIG. 5 is an end view of the plate of FIG. 1.

FIG. 6 is a side elevation view of the plate of FIG. 1.

FIG. 7 is a partial cross sectional view of the plate of FIG. 1.

FIG. 8 is an enlarged fragmentary view of the plate of FIG. 1 and an alternative embodiment of a fastener in accordance with the present invention.

FIG. 9 is an enlarged fragmentary cross sectional view of an embodiment of the ratchetings in the upper and lower portions of the plate of FIG. 1 in a first position.

FIG. 10 is a fragmentary cross sectional view of FIG. 9 in a second position.

FIG. 11 is an enlarged fragmentary cross sectional view of a preferred embodiment of the ratchetings in the upper and lower portions of the plates of the present invention in a first position.

FIG. 12 is a fragmentary cross sectional view of FIG. 11 in a second position.

FIG. 13 is a top perspective view of the plate and fastener of FIG. 1 and instrumentation for compressing the plate and instrumentation for locking the fastener in accordance with a preferred embodiment of the present invention.

FIG. 14 is a top plan view of the plate and fastener of FIG. 1 in a compressed state with the instrumentation of FIG. 13 shown in cross section engaging the ends of the plate to compress the plate in the direction of the arrows and with the instrumentation engaging the fastener.

FIG. 15 is a partial cross sectional view along line 15-15 of FIG. 14.

FIG. 16 is a top perspective view of a plate, a fastener, and locking elements in accordance with another preferred embodiment of the present invention.

FIG. 17 is a top plan view of the plate, fastener, and locking elements of FIG. 16.

FIG. 18 is a top plan view of the plate of FIG. 16 in an elongated state, fastener, and locking elements.

FIG. 19 is a bottom plan view of the plate and fastener of FIG. 16.

FIG. 20 is a partial cross sectional view along line 20-20 of the plate of FIG. 17.

FIG. 21 is an exploded top perspective view of the plate, fastener, and locking elements of FIG. 16.

FIG. 22 is an exploded bottom perspective view of the plate, fastener, and locking elements of FIG. 16.

6

FIG. 23 is a top plan view of the plate, fastener, and locking elements of FIG. 16 and a partial fragmentary perspective view of an instrument for compressing the plate and securing the fastener in accordance with another preferred embodiment of the present invention.

FIG. 24 is an enlarged cross sectional view of the plate of FIG. 16 with the instrument of FIG. 23 engaging the fastener and positioned within the plate.

FIG. 25 is a fragmentary top plan view of the plate of FIG. 16 in an elongated state with the instrument of FIG. 23 shown in cross section engaging the fastener and positioned within the plate.

FIG. 26 is a fragmentary top plan view of the plate of FIG. 16 in a compressed state with the instrument of FIG. 23 shown in cross section engaging the fastener and positioned within the plate to rotate the fastener in the direction of the arrow to compress the plate.

FIG. 27 is an exploded top perspective view of a plate, a fastener, and locking elements in accordance with another preferred embodiment of the present invention.

FIG. 28 is a cross sectional view transverse to the longitudinal axis of the plate of FIG. 27.

FIG. 29 is a top plan view of a plate, fasteners, and locking elements in accordance with another preferred embodiment of the present invention.

FIG. 30 is an exploded top perspective view of the plate, fasteners, and locking elements of FIG. 29.

FIG. 31 is an exploded bottom perspective view of the plate, fasteners, and locking elements of FIG. 29.

FIG. 32 is a top plan view of the plate, fasteners, and locking elements of FIG. 29.

FIG. 33 is a bottom plan view of the plate, fasteners, and locking elements of FIG. 29.

FIG. 34 is a side elevation view of the plate of FIG. 29.

FIG. 35 is a partial cross sectional view along the longitudinal axis of the plate of FIG. 29.

FIG. 36 is a top plan view of the plate in an elongated position, fasteners, and locking elements of FIG. 29.

FIG. 37 is a top perspective view of the plate of FIG. 29 and another preferred embodiment of instrumentation for compressing the plate and instrumentation for locking the fastener in accordance with the present invention.

FIG. 38 is a top plan view of the plate of FIG. 29 in a compressed state with the instrumentation of FIG. 37 shown in cross section engaging the ends of the plate to compress the plate in the direction of the arrows, an alternative embodiment of instrumentation for engaging an intermediary portion of the plate to compress the plate in the direction of the arrows in dotted line, and instrumentation engaging the fastener and positioned within the plate.

FIG. 39 is a side elevation view of the plate of FIG. 38 with the instrumentation shown in partial fragmentary, hidden line, and cross sectional views.

FIG. 40 is an exploded top perspective view of a plate, fasteners, and locking elements in accordance with another preferred embodiment of the present invention.

FIG. 41 is a top plan view of a plate, fasteners, and locking elements in accordance with another preferred embodiment of the present invention.

FIG. 42 is a top plan view of a plate, fasteners, and locking elements in accordance with another preferred embodiment of the present invention.

FIG. 43 is an enlarged fragmentary cross sectional view of the plate, locking element, and bone screws of FIG. 42.

FIG. 44 is an enlarged fragmentary cross sectional view of a plate, locking element, and bone screws in accordance with another embodiment of the present invention.

7

FIG. 45 is a fragmentary top plan view of another preferred embodiment of a plate and a locking element adapted to lock at least two bone screws and a fastener in accordance with the present invention.

FIG. 46 is a fragmentary top plan view of another preferred embodiment of a plate and a locking element adapted to lock at least two bone screws and a fastener in accordance with the present invention.

DETAILED DESCRIPTION OF THE DRAWINGS

Reference will now be made in detail to the present preferred embodiments (exemplary embodiments) of the invention, examples of which are illustrated in the accompanying drawings. Wherever possible, the same reference numbers will be used throughout the drawings to refer to the same or like parts.

The present invention is for use in the cervical spine where dynamization is highly desired to prevent distraction pseudoarthrosis and to maintain a compressive load across the fusion interfaces. The present invention in one preferred embodiment is directed to a cervical plate generally having at least two movable segments that are attached to the vertebral bodies to be fused and connected in such a way as to permit dynamization of the vertebral bodies preferably along the longitudinal axis of the plate. The movement of the segments relative to one another may be accompanied by a reduction in the overall length of the plate.

FIGS. 1-7 show a preferred embodiment of a cervical plate 100 in accordance with the present invention. Plate 100 is preferably formed of a first segment 102 and a second segment 104 in moveable relationship to one another. First and second segments 102, 104 can be of various lengths and/or configurations such that when the segments are assembled preferably overlapping at least in part, plates of various lengths and/or configurations can be formed to cover a range of sizes. First and second segments 102, 104 can be of the same or different lengths and can be coupled to each other or to an intermediate segment as shown in FIGS. 29-40 and described below in connection with other preferred embodiments of the present invention. The overall length of plate 100 and the spacing of segments 102, 104 can be adjusted by moving segments 102, 104 relative to one another.

A non-detachable fastener 106 couples together first and second segments 102, 104. Fastener 106 is configured to be non-detachably attached to at least one of first and second segments 102, 104 to couple together two or more plate segments. Fastener 106 is non-detachable to prevent non-destructive complete uncoupling of first and second segments 102, 104 from one another during normal use. As used herein, "non-detachable fastener" is defined as a fastener that once attached is not meant to be removed and then reattached. As shown in FIG. 7, fastener 106, for example, may be embodied in the form of a rivet having a head 108, a shaft 112, and a base 114. By way of example only and not limitation, base 114 may be coupled to second segment 104 so that it is permanently attached, but is still capable of an element of rotation about its longitudinal axis. Shaft 112 of fastener 106 preferably has a thread 116.

As shown in FIG. 8, in another preferred embodiment fastener 106' may be configured to be tightened to only one of first and second plate segments 102, 104 so as to permit movement of first and second segments 102, 104 relative to one another when fastener 106' is fully tightened. For example, fastener 106' may have a shoulder 110 adapted to bear upon second segment 104 as indicated by arrow C. Shoulder 110 is dimensioned so as to create a gap 111

8

between head 108' and first segment 102 so as to still permit a specific and desired motion of first and second segments 102, 104 relative to one another when fastener 106' is fully tightened. The limited motion of first and second segments 102, 104 relative to one another provides for dynamization of the spinal segment to be fused in that those vertebral bodies are allowed to move closer together to maintain contact.

As shown in FIGS. 1 and 2, first segment 102 preferably has an upper surface 118, a lower surface 120, a medial portion 122, and an end 124. First segment 102 preferably includes bone screw receiving holes 126 proximate end 124. Bone screw receiving hole 126 is preferably configured to receive a single bone screw or the bone screw receiving holes also may be configured to receive more than one bone screw. By way of example only and not limitation, a bone screw receiving hole may be in the form of a slot sized to receive at least two bone screws.

Preferably, at least two of bone screw receiving holes 126 may be oriented in plate 100 to overlie the anterior aspect of a single cervical vertebral body adjacent a disc space to be fused, though the invention is not so limited. For example, a first pair of bone screw receiving holes 126 may be configured to overlie the anterior aspect of a first cervical vertebral body adjacent a disc space to be fused and at least a second pair of bone screw receiving holes 126 may be oriented in plate 100 to overlie the anterior aspect of a second cervical vertebral body adjacent the disc space to be fused.

Bone screw receiving hole 126 may, though need not be, configured to form an interference fit with at least a portion of the trailing end of a properly dimensioned bone screw to be received therein. Bone screw receiving holes 126 may be configured, for example only, so that at least one of bone screw receiving holes 126 may hold a bone screw in a fixed relationship to the plate or may hold a bone screw in a moveable relationship, such as a variable angular relationship, described below. By way of example only and not limitation, bone screw receiving hole 126 may have a reduced dimension proximate lower surface 120 of segment 102 to form a seat 127. Seat 127 may have a surface adapted to contact at least a portion of a bone screw inserted therein. The surface may be at least in part planar, at least in part curved, or have any other configuration suitable for contacting at least a portion of a bone screw.

End 124 of first segment 102 may also include a tool engagement area 128 adapted to cooperatively engage instrumentation for holding plate 100 and instrumentation for moving first and second segments relative to one another to induce a desired amount of compressive force across the fusion sites and to permit a desired amount of shortening of plate 100. Medial portion 122 preferably has a fastener receiving opening 130 adapted to accommodate fastener 106 to couple first and second segments 102, 104 to one another.

Fastener receiving opening 130 is preferably configured to permit selected movement of fastener 106 therein and to permit selected motion of first and second segments 102, 104 along the longitudinal axis of plate 100. Fastener receiving opening 130 may include a shoulder 132 recessed from upper surface 118 of first segment 102 adapted to contact the underside of head 108 of fastener 106 in the tightened position to prevent movement of first and second segments 102, 104 relative to one another. Alternatively, if a fastener 106' is used, shoulder 110 contacts second segment 104 and the underside of head 108' is positioned relative to shoulder 132 to permit movement of first and second segments 102, 104 relative to each other along the longitudinal axis of the plate when in the tightened position providing for dynamization of the vertebral bodies to be fused to occur, if needed. Fastener 106 and

9

fastener receiving opening **130** cooperate to prevent complete uncoupling of first and second segments **102**, **104** from one another. For example, fastener receiving opening **130** may be configured to prevent head **108** of fastener **106** from passing therethrough.

Lower surface **120** of first segment **102** includes a tab receiving recess **134** for receiving a tab **136** described below.

Second segment **104** has an upper surface **138**, a lower surface **140**, a medial portion **142**, and an end **144**. Second segment **104** preferably has bone screw receiving holes **126** proximate end **144**. End **144** may also include a tool engagement area **146** adapted to cooperatively engage instrumentation for holding plate **100** and instrumentation for moving first and second segments **102**, **104** relative to one another to induce a desired amount of compressive force across the fusion site and to permit a desired amount of shortening of plate **100**. Medial portion **142** preferably includes a fastener receiving opening **148** for receiving a portion of fastener **106**. Fastener receiving opening **148** is configured to permit non-detachable attachment of fastener **106** while permitting an element of rotation of fastener **106** about its longitudinal axis. For example, the bottom portion of fastener receiving opening **148** proximate lower surface **140** of second segment **104** may have a smaller dimension than the maximum dimension of base **114** (e.g. flared portion of a rivet) of fastener **106** so as to prevent passage of the end portion therethrough. Moreover, the bottom portion of fastener receiving opening **148** may be beveled to accommodate base **114** (e.g. flared portion) of fastener **106** so that it is generally flush or recessed to the bottom surface and preferably does not impede close contact of lower surface **140** with the surface of the vertebral bodies. The first and second plate segments may be modular components of various configurations assembled by the manufacturer of the plate and provided to the surgeon in an assembled state. In the assembled state, the plate has a non-detachable fastener that prevents non-destructive complete uncoupling of the first and second segments during normal use.

Fastener receiving opening **148** preferably has a thread **150** adapted to engage with thread **116** of fastener **106**. The threaded engagement of fastener **106** to fastener receiving opening **148** permits first segment **102** and second segment **104** to be attached to each other when fastener **106** is sufficiently rotated and tightened. As fastener **106** is rotated further, first and second segments **102**, **104** are secured together and locked and do not move relative to each other. Alternatively, if fastener **106** shown in FIG. 8 is used in the tightened position, first and second segments **102**, **104** are capable of moving relative to each other.

Lower surfaces **120**, **140** of first and second segments **102**, **104** are preferably at least in part concave along at least a portion of the longitudinal axis of the plate, may be bi-concave at least in part, that is, concave along the longitudinal axis of plate **100** and concave transverse to the longitudinal axis of the plate, or may have any shape suitable for the intended purpose transverse to the longitudinal axis of the plate. A person skilled in the art will appreciate that plate **100** may be adapted for other curvatures or have no curvature without departing from the intended purpose within the broad scope of the present invention. Lower surfaces **120**, **140** are preferably adapted to contact at least a portion of the vertebral bodies to be fused and may be configured to conform to the anterior aspect of at least a portion of the vertebral bodies.

Second segment **104** preferably includes a tab **136** extending from medial portion **142**. Tab **136** is configured to cooperatively engage a tab receiving recess **134** in the lower surface **120** of first segment **102**. Tab **136** acts as a spring to maintain first and second segments **102**, **104** aligned along the

10

longitudinal axis of plate **100**. Tab **136** also functions to limit movement of first segment **102** in a direction transverse to longitudinal axis of plate **100** to prevent end **124** from dropping down beyond a desired position. This limited movement of first segment **100** prevents medial portion **122** of first segment **102** from lifting away from medial portion **142** beyond a desired position, so that ratchetings **152** are not overly separated and rendered less effective as described in more detail below. It is appreciated that other configurations of segments **102**, **104** are possible to hold apart segments **102**, **104** and to limit movement of the segments in a direction transverse to the longitudinal axis of the plate. For example, the longitudinal curvatures of first and second segments **102**, **104** can be slightly different to spring apart segments **102**, **104**. For example, the radius of curvature of the lower surface of segment **102** may be different than the radius of curvature of the upper surface of segment **104**.

At least a portion of lower surface **120** of first segment **102** and upper surface **138** of second segment **104** are preferably configured to interdigitate with one another to permit selected adjustment of the length of plate **100**. For example, lower surface **120** and upper surface **138** may include a surface configuration, such as ratchetings **152**, configured to cooperatively interdigitate to permit selected and sequential movement along the longitudinal axis of plate **100**. The ratchetings are preferably biased to allow movement in one preferred direction along the longitudinal axis of the plate so as to allow shortening of the plate and resist lengthening of the plate.

FIGS. 9 and 10 show an embodiment of ratchetings having a configuration that is useful if no movement of first and second segments **102**, **104** is desired after fastener **106** is tightened. A preferred angular relationship of the cross section of ratchetings **152a** is a 45-45-90 degree triangular relationship. As shown in FIG. 9, in a first position, the peaks and valleys of ratchetings **152a** are cooperatively mating. Ratchetings **152a** permit for the fixed positioning of first and second segments **102**, **104** relative to one another to create a selected length of plate **100**. As shown in FIG. 10, the peaks and valleys are separated to permit movement of the first and second segments in the directions of the arrows along the longitudinal axis of plate **100**. In order for first and second segments **102**, **104** to move relative to one another, there must be sufficient freedom of movement for the segments to move apart in order to clear the height of the peaks of ratchetings **152a**. Accordingly, in a preferred embodiment fastener **106** is configured to have at least one position that permits movement of the first and second segments along the longitudinal axis of plate **100** as well as along an axis transverse to the longitudinal axis of plate **100** such that ratchetings **152** can move apart. Fastener **106** can be tightened to a second position to resist or prevent movement of segments **102**, **104** relative to one another. For example, movement of segments **102**, **104** can be resisted in a direction along at least a portion of the longitudinal axis of plate **100**.

FIGS. 11 and 12 show another preferred embodiment of ratchetings **152b** having a forward-facing configuration for permitting movement in a single direction. The configuration of ratchetings **152b** is useful when movement of first and second segments **102**, **104** is desired to permit further shortening of the plate. A preferred angular relationship of the triangular cross section of ratchetings **152b** is a 30-60-90 degree triangular relationship. As shown in FIG. 12, due to the forward facing angle of ratchetings **152b**, sliding movement of first and second segments **102**, **104** in the direction, as indicated by the arrow, along the longitudinal axis of plate **100** is facilitated by the ramped surface **154**. In contrast, sliding movement in the opposite direction is restricted by

vertical wall **156**. Movement of segments **102**, **104** is limited to a single direction with ratchetings **152a** and by limiting the separation of segments **102**, **104** along an axis transverse to the longitudinal axis of plate **100** with fastener **106** or **106'**.

In a preferred embodiment, fastener **106** or **106'** is configured to have at least one position that permits movement of first and second segments **102**, **104** in both directions along the longitudinal axis of plate **100** as well as along an axis transverse to the longitudinal axis of plate **100** such that ratchetings **152b** can move apart. For example, in a first position fastener **106** can be less than fully tightened to plate **100** as desired by the surgeon to permit movement of first and second segments relative to each other. Fastener **106'** can further have a second position that permits movement of segments **102**, **104** relative to one another only in a single direction along the longitudinal axis of plate **100** and limits movement along an axis transverse to the longitudinal axis of plate **100**. Therefore, plate **100** can be shortened if the distance between the two adjacent vertebral bodies decreases, even after plate **100** is installed, so that the vertebral bodies are not held apart by plate **100**, to prevent the occurrence of pseudoarthrosis. One of the benefits of a forward-facing configuration of ratchetings **152b** is the ability to store and impart a compressive load across the fusion site. The compressive load stored may be applied by the surgeon and/or compressive loads that occur randomly with neck motion during the healing phase. First and second segments **102**, **104** may be pre-adjusted to correspond to the appropriate size and spacing of the adjacent vertebral bodies to be fused prior to placement of plate **100** against the vertebral bodies by moving first and second segments **102**, **104** relative to one another while fastener **106** is only partially tightened for the purpose of appropriately adjusting the length of the plate. Then, fastener **106** may be further tightened to secure first and second segments **102**, **104** in the desired position.

In a preferred embodiment, plate **100** includes at least one bone screw lock **172** adapted to lock to plate **100** at least two bone screws inserted in bone screw receiving holes **126**. Bone screw locks **172** are coupled to plate **100** and may be removable or may be non-detachably attached to plate **100**. Bone screw locks **172** may be coupled to plate **100** prior to the insertion of the bone screws into bone screw receiving holes **126**. Alternatively, the bone screw locks may be coupled to the plate after the insertion of the bone screws into the bone screw receiving holes.

As shown in FIGS. 1-4, 14, and 15, by way of example only and not limitation, bone screw lock **172** may have a tool engagement portion **174** adapted to cooperatively engage an instrument used for coupling bone screw lock **172** to plate **100** and at least one cutout **176**. Each cutout **176** is oriented so as to permit introduction of a bone screw into an adjacent bone screw receiving hole when bone screw lock **172** is coupled to plate **100** and in the appropriate orientation. It is appreciated that other configurations of the bone screw lock are possible so as to permit introduction of a bone screw into a bone screw receiving hole adjacent to the bone screw lock without interference from the bone screw lock.

Plate **100** may have an opening **178** for receiving at least a portion of locking element **172** and may, but need not, include a recess **180** for receiving at least a portion of locking element **172** therein. Bone screw lock **172** may have a stem **182** configured to fit at least in part within opening **178** in plate **100**. Stem **182** and opening **178** may be threaded to threadably engage bone screw lock **172** to plate **100**. Alternatively, at least a portion of the interior perimeter of recess **180** and at

least a portion of the perimeter of the bone screw lock may be threaded to threadably engage the bone screw lock to the plate.

In a preferred embodiment, bone screw locks **172** are configured to move from an initial position, that permits the insertion of bone screws into the bone screw receiving holes, to a final position that is adapted to extend over at least a portion of at least two of the bone screws to retain the bone screws to the plate. The bone screw lock may be adapted to be rotated from the initial position to the final position, and preferably, less than a full rotation of the bone screw lock rotates the bone screw lock from the initial position to the final position. In a preferred embodiment, the bone screw lock in the final position covers at least a portion of at least two of the bone screw receiving holes.

In another preferred embodiment, at least a portion of the bone screw lock slides from the initial position to the final position. The bone screw lock can slide over at least a portion of at least two of the bone screw receiving holes and/or slide over at least a portion of at least two bone screws in the bone screw receiving holes.

The bone screw lock may be in the form of a screw, a rivet, a cap, a cover, or have any other configuration suitable for its intended purpose. The bone screw lock may have a head that is at least in part circular.

The plates of the present invention may be utilized with any lock suitable for locking a plurality of bone screws to an anterior cervical plate known to those of ordinary skill in the art, including but not limited to, the bone screw locks taught by Michelson in U.S. Pat. No. 6,193,721 (the '721 patent) incorporated by reference herein.

With appropriate embodiments of the plates described herein, the surgeon may induce a desired amount of "preload," or compressive force across the fusion site after plate attachment by moving first and second segments **102**, **104** toward one another to shorten the length of plate **100** as desired. Inducing a preload enhances fusion by maintaining a compressive force between adjacent vertebral bodies and reducing the chance that gaps might develop as new living bone replaces the dead bone during the fusion process.

FIGS. 13-15 show a preferred embodiment of instrumentation **200** for compressing and locking plate **100**. Instrumentation **200** has a handle **202** with a pair of tongs **204**, **206** in moveable relationship to each. Tongs **204**, **206** are configured to cooperatively engage ends **124**, **144** of first and second segments, **102**, **104**, respectively. Instrumentation **200** may be used to hold and position plate **100** in a desired position at the fusion site during at least a portion of the procedure for installing plate **100**. Any instrument capable of engaging the plate so as to serve the intended purpose would be within the scope of the instrumentation and method of the present invention. As an example only, methods and instrumentation for installing plates to the cervical spine, including a pilot hole forming punch to create bone screw receiving holes in the vertebral bodies coaxially aligned with the bone screw receiving holes with the plate, are taught and described by Michelson in the '721 patent, incorporated by reference herein. After segments **102**, **104** have been attached to the adjacent vertebral bodies with an appropriate fastening element, such as bone screws, instrument **200** can be used to move segments **102**, **104** toward one another to shorten the length of plate **100** and create a compressive load across the disc space. After the desired length of plate **100** is achieved, an instrument **208** having a head **210** configured to cooperatively engage fastener **106** is used to tighten fastener **106** to secure first and second segments **102**, **104** in a desired position. When in a secured position, segments **102**, **104** may maintain a com-

13

pressive load across the disc space if desired. Head 210 of instrument 200 may have a hex-shaped configuration.

FIGS. 16-22 show another preferred embodiment of a cervical plate 300 having an internal compression mechanism in accordance with the present invention. Plate 300 is similar to plate 100 except that fastener receiving opening 330 and fastener 306 function as part of a mechanism to move first and second segments 302, 304 relative to one another to change the length of plate 300 to generate a compressive load across the disc space between two adjacent vertebral bodies to be fused. Fastener receiving opening 330 includes instrument pin receiving recesses 362a and 362b for cooperating with the pin of an instrument 400 (described below) for moving first and second segments 302, 304 relative to one another. In addition, instead of a tab 136, plate 300 has pins 358 and tracks 360 to maintain first and second segments 302, 304 aligned along the longitudinal axis of plate 300. Bone screw lock 372 is adapted to lock to plate 300 at least two bone screws inserted in bone screw receiving holes 326.

As shown in FIGS. 20-22, first segment 302 preferably has two pins 358 depending therefrom for engagement in corresponding tracks 360 in second segment 304. Pins 358 slidably engage tracks 360, respectively, and travel therein when first and second segments 302, 304 are moved relative to one another. Tracks 360 are staggered along the length of medial portion 342 and pins 358 are staggered along the length of medial portion 322 to maintain first and second segments 302, 304 aligned along the longitudinal axis of plate 300. It is appreciated that any plate configuration to achieve the intended purpose of maintaining first and second segments 302, 304 aligned along the longitudinal axis of the plate would be within the scope of the present invention.

FIGS. 23-26 show a preferred embodiment of an instrumentation 400 used for compressing and locking plate 300. Instrumentation 400 has a working end 402 configured to cooperatively engage fastener receiving opening 330 and fastener 306. After segments 302, 304 have been attached to the adjacent vertebral bodies with an appropriate fastening element, such as bone screws, instrument 400 can be used to move segments 302, 304 toward one another to shorten the length of plate 300, create a compressive load across the disc space, and concurrently tighten fastener 306 (if desired) to secure first and second segments 302, 304 in a preferred position. Working end 402 of instrument 400 preferably has a driver portion 404 configured to cooperatively engage driver receiving opening 364 in fastener 306. Driver portion 404 is preferably hex-shaped. Working end 402 preferably has a pin 406 extending therefrom and displaced from driver portion 404 to engage one of pin receiving recesses 362a and 362b, respectively, when driver portion 404 is engaged with driver receiving opening 364 in fastener 306. With driver portion 404 engaging fastener 306 and pin 406 inserted in pin receiving recess 362b as shown in FIG. 25, instrument 400 rotates fastener 306 in the direction of arrow A as shown in FIG. 26 to move first segment 302 toward second segment 304 in the direction of arrow B to reduce the length of plate 300 and can if desired concurrently tighten fastener 306. The configuration of plate 300 provides for an internal compression mechanism that can be operated by a driver instrument eliminating the need for an externally applied compression apparatus for shortening plate 300 and creating a compressive load.

FIGS. 27-28 show another preferred embodiment of a cervical plate 500 in accordance with the present invention. Plate 500 is similar to plate 100 except that first segment 502 is configured to receive at least a portion of second segment 504 therein in a tongue and groove configuration. As shown in FIG. 28, first segment 502 preferably has a C-shaped cross

14

section and second segment 504 preferably has a T-shaped cross section. The configurations of segments 502, 504 in this embodiment of the present invention keep segments 502, 504 aligned along the longitudinal axis of plate 500 and limit movement of segments 502, 504 in a direction generally transverse to the longitudinal axis of plate 500. A person of ordinary skill in the art would appreciate that other configurations of cooperatively engaging first and second segments 502, 504 are possible without departing from the intended purpose within the broad scope of the present invention. Bone screw lock 572 is adapted to lock to plate 500 at least two bone screws inserted in bone screw receiving holes 526.

FIGS. 29-36 show another preferred embodiment of a cervical plate 600 in accordance with the present invention. Plate 600 is similar to plate 100 except that it is configured for use across two levels of the cervical spine. In addition to the elements of plate 100, plate 600 further includes an intermediate third segment 666 between first and second segments 602, 604. Third segment 666 has a first end 668 configured to cooperatively engage first segment 602. Third segment 666 has a second end 670 configured to cooperatively engage second segment 604. Third segment 666 and first and second segments 602, 604 are articulated and can be moved to vary the spacing between the bone screw receiving holes of the plate segments as well as the overall length of the plate. Third segment 666 can be made of different lengths and/or configurations to vary the distance between first and second segments 602, 604 to further vary the spacing between the bone screw receiving holes and further vary the overall length of the plate.

First end 668 of third segment 666 has similar features to second segment 604 including a fastener receiving recess 648, bone screw receiving holes 626, ratchetings 652 on at least a portion of its upper surface 638, and a tab 636. Second end 670 of third segment 666 has similar features to first segment 602 including a ratchetings 652 on at least a portion of its lower surface 620 and a tab receiving recess 634. A first fastener 606 couples together first segment 602 to first end 668 of third segment 666. A second fastener couples together second segment 604 to second end 670 of third segment 666. Additional segments 666 may be added for use across more than two levels of the spine. Segments 666 are configured to be coupled together with first end 668 of one segment 666 to second end 670 of another segment 666. Bone screw lock 672 is adapted to lock to plate 600 at least two bone screws inserted in bone screw receiving holes 626.

FIGS. 37-39 show a preferred embodiment of instrumentation 700 for compressing and locking plate 600. Instrumentation 700 has a handle 702 with a pair of tongs 704, 706 in moveable relationship to each. Tongs 704, 706 are configured to cooperatively engage ends 624, 644 of first and second segments, 602, 604, respectively, to shorten the overall length of the plate and to apply a desired compressive load across multiple levels of the spine. Instrumentation 700 may be used to position plate 600 in a desired position at the fusion site during at least a portion of the procedure for installing plate 600. An instrument may be used for holding the plate such as the instrumentation disclosed in the '721 patent incorporated by reference above. Instrument 700 can be used to move segments 602, 604 toward one another and toward third segment 666 to shorten the length of plate 600 and create a compressive load across the respective disc spaces.

As shown in FIG. 38, an alternative embodiment of instrument 700' may be used to move first or second segment 602, 604 toward third segment 666 so that a compressive load may be applied to one disc space at a time. Instrument 700' has a tong 704' similar to tong 704 for engaging one of ends 624,

15

644 of first and second segments, and forked tong 707 for engaging the third segment as shown in FIG. 38.

After the desired length of plate 600 is achieved, an instrument 708 having a head 710 configured to cooperatively engage fastener 606 is used to tighten fastener 606 to secure first, second, and third segments 602, 604, 666 in a desired position.

FIG. 40 shows another preferred embodiment of a cervical plate 800 in accordance with the present invention. Plate 800 is similar to plate 600 except that first segment 802 is configured to receive at least a portion of the first end 868 of third segment 866 therein in a tongue and groove configuration and second end 870 of third segment 866 is configured to receive at least a portion of second segment 804 therein, in a tongue and groove configuration. A person of ordinary skill in the art would appreciate that other configurations of cooperatively engaging first and second segments 802, 804 are possible without departing from the intended purpose within the broad scope of the present invention. Bone screw lock 872 is adapted to lock to plate 800 at least two bone screws inserted in bone screw receiving holes 826.

The plate of the present invention preferably includes at least one bone screw lock adapted to lock to the plate at least two bone screws inserted into the bone screw receiving holes, respectively. The plate of the present invention may include more than one bone screw lock, each lock being adapted to lock to the plate at least two bone screws inserted into the bone screw receiving holes, respectively.

FIG. 41 shows a cervical plate 900 with locking elements 902 in accordance with another preferred embodiment of the present invention. Locking elements 902 are adapted to lock at least two bone screws installed in each of bone screw receiving holes 916, respectively. Locking element 902 is in moveable relationship to plate 900 so that locking element 902 can be pre-installed to plate 900 prior to the insertion of bone screws into bone screw receiving holes 916. During installation of the bone screws, locking element 902 can be slid to one side of the plate as shown in the top portion of the plate in FIG. 41 to allow for insertion of a first bone screw into a first bone screw receiving hole 916 on the opposite side of plate 900. Locking element 902 is then moved to the opposite side of plate 900 to permit insertion of a second bone screw into the second bone screw receiving hole 916. Locking element is then moved to cover at least a portion of both first and second bone screws and can be locked in place by a screw 917 as shown in the middle and bottom portions of plate 900 in FIG. 41.

FIGS. 42 and 43 show a cervical plate 1000 with locking elements 1002 in accordance with another preferred embodiment of the present invention. Locking elements 1002 are installed to cover at least a portion of two bone screw receiving holes 1016. In this embodiment, the bone screws are installed in bone screw receiving holes 1016 and locking element 1002 is placed over at least a portion of two bone screws to lock the bone screws. Locking element 1002 can be held in place with a screw 1017 that passes at least in part through opening 1003 in locking element 1002 and engages opening 1005 in plate 1000 to lock two bone screws 1048 to plate 1000 as shown in FIG. 43. Bone screws 1048 preferably have a leading end configured for insertion into the cervical spine and a head 1049 opposite the leading end that may be configured to contact locking element 1002. By way of example only, bone screws 1048 may be configured to be in a fixed relationship to plate 1000 such as shown in FIG. 43.

FIG. 44 is a fragmentary cross sectional view of another preferred embodiment of a locking element 1002' and bone screws 1048'. Locking element 1002' has a bottom surface

16

adapted to cooperate with a rounded portion of head 1049' of bone screws 1048' and is adapted to hold bone screws 1048' in an angular relationship to plate 1000'. Examples of preferred fixed-angled locking elements are taught by Michelson in U.S. Pat. No. 6,139,550 (the '550 patent) entitled "Skeletal Plating System," the disclosure of which is hereby incorporated by reference herein. Locking element 1002' may also permit movement of bone screw 1048' relative to plate 1000'. Locking element 1002' may also be adapted to adjustably lock bone screws 1048' in a variable angle relationship relative to plate 1000'. Examples of preferred variable-angled locking elements are taught by Michelson in the '550 patent. The rounded portion of head 1049' permits bone screws 1048' to be in a moveable relationship, such as for example in a variable angular relationship to plate 1000'. Other configurations are possible for the intended purpose and are within the broad scope of the present invention.

Various methods for using and installing the plates of the present invention are disclosed in the '550 and '721 patents to Michelson identified above, incorporated by reference herein.

FIG. 45 shows a plate 1100 and a locking element 1180 adapted to lock at least two bone screws and a fastener 1134 in accordance with the present invention. Preferably, locking element 1180 is configured to be preinstalled to plate 1100 prior to insertion of the bone screws in bone screw receiving holes 1116 and attachment of fastener 1134 to plate 1100. Locking element 1180 has a first position that permits insertion of bone screws in respective bone screw receiving holes 1116 and installation and/or movement of fastener 1134. Locking element 1180 has a second position that covers at least a portion of at least two bone screw receiving holes 1116 and fastener 1134 to lock at least two bone screws and fastener 1134 to plate 1100. Locking element 1180 may preferably be configured to rotatably and/or slideably cover at least a portion of two bone screws in bone screw receiving holes 1116 and at least a portion of fastener 1134.

FIG. 46 shows another preferred embodiment of a plate 1200 and locking element 1280 adapted to lock at least two bone screws and a fastener 1234 in accordance with the present invention. Locking element 1280 is configured to be installed to plate 1200 after insertion of bone screws in bone screw receiving holes 1216 and attachment of fastener 1234 to plate 1200. Locking element 1280 is configured to cover at least a portion of at least two bone screw receiving holes 1216 and fastener 1234 to lock at least two bone screws and at least a portion of fastener 1234 to plate 1200. Locking element 1280 is preferably attached to plate 1200 by a screw 1217 or by any other means suitable for the intended purpose.

The plates of present invention may include a bone screw system that allows the vertebrae to move toward an interposed bone graft, and each other if necessary, instead of keeping the vertebrae apart during the occurrence of the resorption phase of the creeping substitution process. For example, the '550 patent discloses three types of screw-plate-lock systems, which are themselves combinable with one another, as follows: (1) Passive Dynamic; (2) Self-Compressing; and (3) Active Dynamic and are incorporated by reference herein. The plate of the present invention requires (1) at least one fastener non-detachably attached to the plate to prevent complete uncoupling of the plate segments from one another; and (2) at least one lock that is adapted to lock at least two bone screws so as to prevent the screws from backing out from the bone screw receiving holes of the plate. Plates similar to that of the present invention described herein having detachable fasteners wherein the plates are adapted to be assembled and reassembled are being pursued in related applications. Plates

similar to that of the present invention described herein having single-lock mechanisms adapted to lock only one bone screw as described in the '550 patent and the '721 patent are being pursued in related applications.

It is appreciated that for any of the embodiments of the plates described herein can be combined with, comprised of, or used with fusion promoting substances and/or bone promoting materials, including genes coding for the production of bone, bone morphogenetic protein, substances other than bone, and bone. The plates, screws, fasteners, and/or screw locks may also be combined with material and/or a substance for inhibiting scar formation. The plates, screws, fasteners, and/or screw locks may be combined with an antimicrobial material and/or surface treated or coated to be antibacterial and/or antimicrobial, such as for example, by a silver coating. At least a portion of the bottom surface of the plates, can preferably have a porous, and/or textured and/or roughened surface and may be coated with, impregnated with, or comprise of fusion promoting substances (such as bone morphogenetic proteins) so as to encourage the growth of bone along the underside of the plate from bone portion to bone portion. The textured bottom surface also provides a medium for retaining fusion promoting substances with which the bottom surface layer can be impregnated prior to installation. The bottom surface of the plate may be given the desired porous textured form by rough blasting or any other conventional technology, such as etching, plasma spraying, sintering, and casting for example. If porous so as to promote bone ingrowth, the bottom surface is formed to have a porosity or pore size in the order of 50-500 microns, and preferably 100-300 microns. Bone growth promoting substances with which the porous, textured bottom surface can be impregnated include, but are not limited to, bone morphogenetic proteins, hydroxyapatite, or hydroxyapatite tricalcium phosphate. The plate, screws, fasteners, and/or bone screw locks may include at least in part a resorbable and/or bioresorbable material which can further be impregnated with a bone growth material so that as the resorbable and/or bioresorbable material is resorbed by the body of the patient, the bone growth material is released, thus acting as a time release mechanism. The bioresorbable material may be, for example, at least in part bone. The plate of the present invention may be used in combination with a spinal fixation implant such as any object, regardless of material, that can be inserted into any portion of the spine, such as but not limited to interbody spinal implants, interbody spinal fusion implants, structural bone grafts, mesh, cages, spacers, staples, bone screws, plates, rods, tethers of synthetic cords or wires, or other spinal fixation hardware. The interbody spinal fusion implants may be at least in part bone, for example only, an allograft interbody bone graft. Alternatively, the spinal interbody spinal fusion implant may be at least in part artificial. At least one of the plate, screws, fasteners, and/or bone screw locks may be, if so desired, electrified for purposes of stimulating bone growth and contributing to bone fusion.

Other embodiments of the invention will be apparent to those skilled in the art from consideration of the specification and practice of the invention disclosed herein. It is intended that the specification and examples be considered as exemplary only, with a true scope and spirit of the invention being indicated by the following claims.

What is claimed is:

1. A method comprising:

providing a plate of appropriate length adapted to overlap at least an anterior portion of two adjacent vertebral bodies, the plate having at least a first plate segment adapted to be attached to one of the adjacent vertebral

bodies to be fused and a second plate segment adapted to be attached to another one of the adjacent vertebral bodies to be fused, the first and second plate segments being in moveable relationship to one another along a longitudinal axis of the plate, the first and second plate segments overlapping one another at least in part along the longitudinal axis of the plate, the first and second plate segments fastened together by a rotatable fastener being non-detachably attached to at least one of the first and second plate segments so as to prevent complete uncoupling of the first and second plate segments from one another, the fastener, when rotated, being non-detachable from the at least one of the first and second plate segments;

inserting at least two bone screws through the first plate segment of the plate and into one of the vertebral bodies adjacent the disc space to be fused;

inserting at least two bone screws through the second plate segment and into the other of the vertebral bodies adjacent the disc space to be fused;

locking at least two of the bone screws with at least one bone screw lock adapted to lock to the plate at least two bone screws;

rotating the fastener from a first position to a second position to tighten the first and second plate segments together and to resist movement of the first and second plate segments in a direction away from one another along the longitudinal axis of the plate; and

permitting, with the fastener being in the second position, movement of the first and second plate segments attached to the adjacent vertebral bodies relative to one another in a direction toward one another along the longitudinal axis of the plate and resisting movement of the first and second plate segments in a direction away from one another along the longitudinal axis of the plate.

2. The method of claim 1, wherein the permitting movement includes permitting movement of the first and second plate segments in only a single direction toward one another.

3. The method of claim 1, wherein the permitting movement includes allowing but not causing the movement of the adjacent vertebral bodies by movement of the first and second plate segments of the plate.

4. The method of claim 1, wherein the permitting movement includes allowing movement of the first and second plate segments of the plate in response to movement of the adjacent vertebral bodies.

5. The method of claim 1, wherein the permitting movement includes limiting the movement of the first and second plate segments relative to one another to sequential increments along the longitudinal axis of the plate.

6. The method of claim 1, wherein the permitting movement includes causing movement of the adjacent vertebral bodies by moving the first and second plate segments relative to one another.

7. The method of claim 6, wherein the causing movement of the adjacent vertebral bodies includes generating a compressive load across the disc space between the adjacent vertebral bodies.

8. The method of claim 1, wherein the permitting movement includes the first and second plate segments being free to move toward one another.

9. The method of claim 6, wherein the causing movement of the adjacent vertebral bodies includes storing a compressive load across the disc space between the adjacent vertebral bodies.

19

10. The method of claim 6, further comprising simultaneously rotating the fastener and moving the first and second plate segments relative to one another along a mid-longitudinal axis of the plate.

11. The method of claim 1, wherein the permitting movement occurs prior to the locking at least two of the bone screws.

12. The method of claim 1, wherein the permitting movement includes moving the first and second plate segments relative to one another after the inserting the bone screws.

13. The method of claim 1, wherein the permitting movement includes moving the first and second plate segments relative to one another before the inserting the bone screws.

14. The method of claim 1, further comprising applying a compressive load to the adjacent vertebral bodies.

15. The method of claim 1, wherein the permitting movement includes applying a compressive load to the adjacent vertebral bodies.

16. The method of claim 1, wherein the permitting movement includes moving the first and second plate segments from a first position to a second position.

17. The method of claim 1, wherein the rotating the fastener includes limiting the movement of the first and second plate segments relative to one another to one direction along the longitudinal axis of the plate.

18. The method of claim 1, wherein the rotating the fastener includes limiting the movement of the first and second plate segments relative to one another to sequential increments along the longitudinal axis of the plate.

19. The method of claim 1, wherein the rotating the fastener includes tightening the fastener to cause the fastener to tighten to the first plate segment while permitting movement of the first and second plate segments relative to one another.

20. The method of claim 1, further comprising adjusting the overall length of the plate by moving the first and second plate segments relative to each other.

21. The method of claim 1, wherein the providing a plate includes providing a plate having at least a third plate segment.

22. The method of claim 1, further comprising combining the plate with an interbody spinal fusion implant.

23. The method of claim 22, wherein the implant comprises at least in part bone.

20

24. The method of claim 22, wherein the implant is an allograft interbody bone graft implant.

25. The method of claim 22, wherein the implant is an artificial implant.

26. The method of claim 1, further comprising combining the plate with a fusion promoting substance.

27. The method of claim 26, wherein the fusion promoting substance is at least in part other than bone.

28. The method of claim 26, wherein the fusion promoting substance is at least in part bone.

29. The method of claim 26, wherein the fusion promoting substance is hydroxyapatite.

30. The method of claim 26, wherein the fusion promoting substance comprises bone morphogenetic protein.

31. The method of claim 1, wherein the providing a plate further comprises providing bone screws for engaging the plate to the cervical spine, wherein at least a portion of one of the plate, the at least one bone screw lock, and the bone screws is a bioresorbable material.

32. The method of claim 31, wherein the bioresorbable material is at least in part bone.

33. The method of claim 1, further comprising combining the plate with a substance for inhibiting scar formation.

34. The method of claim 1, further comprising combining the plate with an antimicrobial material.

35. The method of claim 1, further comprising treating the plate with an antimicrobial material.

36. The method of claim 1, further comprising electrifying at least one of the plate, the fastener, the bone screws, and the bone screw lock for purposes of stimulating bone growth and contributing to bone fusion.

37. The method of claim 1, further comprising attaching the at least one bone screw lock to the plate before inserting the at least two bone screws.

38. The method of claim 1, wherein the first and second plate segments have a lower facing surface adapted to be oriented toward the vertebral bodies and an upper facing surface opposite the lower facing surface, the lower facing surface of the first and second plate segments being concave along at least a portion of the longitudinal axis thereof.

* * * * *

UNITED STATES PATENT AND TRADEMARK OFFICE
CERTIFICATE OF CORRECTION

PATENT NO. : 7,621,943 B2
APPLICATION NO. : 11/102112
DATED : November 24, 2009
INVENTOR(S) : Gary K. Michelson

Page 1 of 2

It is certified that error appears in the above-identified patent and that said Letters Patent is hereby corrected as shown below:

Title Page 1, Item (56) References Cited, Column 2:

Delete the listing of U.S. Patent Nos. "3,952,747" and "4,425,908".

Title Page 2, Item (56) References Cited, Column 1:

Delete the listing of the following U.S. Patents: "4,494,531; 4,612,931 – 4,650,466;
4,662,885 – 4,727,873; 4,781,177 – 4,790,813; 4,794,928; 4,832,055 – 4,921,484;
4,969,891 – 4,998,539; 5,053,008; 5,064,428 – 5,108,419; 5,152,777 – 5,160,342;
5,192,286; 5,324,304; 5,329,942; 5,330,482; 5,350,398;" and "5,370,657 – 5,383,887".

Title Page 2, Item (56) References Cited, Column 2:

Change "8,139,316" to -- 6,139,316 --; and
Delete the listing of the following U.S. Patents: "6,006,190; 6,189,146; 6,206,868; 6,214,026;
6,224,620, 6,235,044, 6,235,045; 6,238,412;" and "6,241,746".

Title Page 3, Item (56) References Cited, Column 1:

Delete the listing of the following U.S. Patents: "6,245,012 – 6,254,633; 6,258,115 – 6,290,710;
6,295,989; 6,306,163 – 6,325,815; 6,336,934 – 6,340,465; 6,346,116; 6,348,056;
6,355,051 – 6,371,971, 6,385,613; 6,453,344; 6,470,339; 6,511,503 – 6,530,940;" and
"6,533,800 – 6,537,295".

Title Page 3, Item (56) References Cited, Column 2:

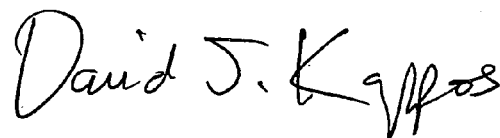
Change "6,578,017" to -- 6,576,017 --; and
Delete the listing of the following U.S. Patents: "6,537,296 – 6,558,405; 6,562,058 – 6,575,997;
6,582,447; 6,582,448; 6,585,756 – 6,599,308; 6,602,269 – 6,602,273; 6,605,102 – 6,638,294;
6,645,220 – 6,652,505;" and "6,652,554 – 6,656,351".

Title Page 4, Item (56) References Cited, Column 1:

Delete the listing of the following U.S. Patents/Publications: "6,660,021 – 6,699,260;
6,702,834 – 6,761,727; 6,773,448; 6,790,219; 6,793,666 – 6,846,317; 6,863,696;
6,866,677; 6,872,216 – 6,878,153; RE38,972;" and "2002/0121472 – 2002/0128681".

Signed and Sealed this

Thirteenth Day of July, 2010



David J. Kappos
Director of the United States Patent and Trademark Office

Title Page 4, Item (56) References Cited, Column 2:

Delete the listing of the following U.S. Publications: “2002/0133092 – 2002/0173817;
2002/0188313 – 2003/0144689;” and 2004/0039411 – 2004/0127936”.

Title Page 5, Item (56) References Cited, Column 1:

Delete the listing of the following U.S. Publications: “2004/0138693 – 2004/0158281;
2004/0167564 – 2005/0119688;” and 2006/0015139 – 2006/0025803”.

Title Page 5, Item (56) References Cited, Column 2:

Delete the listing of the following U.S. Publications: “2006/0025804 – 2006/0206139;” and
Other Publications, line 18: change “Affirm Anterior” to -- Affirm, Anterior --.

Column 18, Line 39:

Change “claim 1.” to -- claim 1, --.