



US007998143B2

(12) **United States Patent**
Michelson

(10) **Patent No.:** **US 7,998,143 B2**

(45) **Date of Patent:** ***Aug. 16, 2011**

(54) **DYNAMIC GUARD**

(75) Inventor: **Gary K. Michelson**, Venice, CA (US)

(73) Assignee: **Warsaw Orthopedic, Inc.**, Warsaw, IN (US)

(*) Notice: Subject to any disclaimer, the term of this patent is extended or adjusted under 35 U.S.C. 154(b) by 1142 days.

This patent is subject to a terminal disclaimer.

(21) Appl. No.: **10/675,820**

(22) Filed: **Sep. 30, 2003**

(65) **Prior Publication Data**

US 2004/0082958 A1 Apr. 29, 2004

Related U.S. Application Data

(63) Continuation of application No. 10/085,406, filed on Mar. 1, 2002, now Pat. No. 6,896,680.

(60) Provisional application No. 60/272,382, filed on Mar. 1, 2001.

(51) **Int. Cl.**
A61B 17/58 (2006.01)

(52) **U.S. Cl.** **606/90**; 606/99

(58) **Field of Classification Search** 606/79, 606/80, 84-86, 90, 99, 105, 86 A, 914, 197-199; 623/17.11-17.16

See application file for complete search history.

(56) **References Cited**

U.S. PATENT DOCUMENTS

605,652 A 6/1868 Pitt
514,799 A 2/1894 Wildt

563,236 A *	6/1896	Penhall	600/220
611,038 A	9/1898	Lohman		
617,247 A	1/1899	Gholson		
751,475 A	2/1904	De Vilbiss		
1,222,478 A	4/1917	Sheaff		
1,607,194 A *	11/1926	Gammon et al.	606/198
1,635,137 A	7/1927	Mullens		
1,796,072 A	3/1931	Baer		
2,300,040 A	10/1942	Betts		
2,320,709 A	6/1943	Arnesen		
2,807,259 A	9/1957	Guerriero		
3,054,398 A	9/1962	Kobler		
3,486,505 A	12/1969	Morrison		
3,747,592 A	7/1973	Santos		
3,752,149 A	8/1973	Ungar		
3,789,829 A	2/1974	Hasson		
3,807,393 A	4/1974	McDonald		
3,890,961 A	6/1975	Moore et al.		
3,985,125 A	10/1976	Rose		
4,130,938 A	12/1978	Uhlmann		
4,263,899 A	4/1981	Burgin		

(Continued)

FOREIGN PATENT DOCUMENTS

DE 28 01 696 A1 7/1979

(Continued)

OTHER PUBLICATIONS

U.S. Appl. No. 60/272,381, filed Mar. 2001, Michelson.

(Continued)

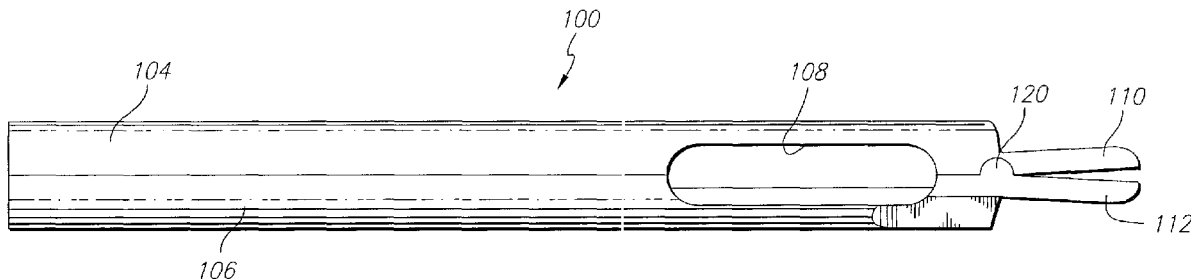
Primary Examiner — Nicholas Woodall

(74) *Attorney, Agent, or Firm* — Martin & Ferraro, LLP

(57) **ABSTRACT**

A guard and method for guiding a bone removal device to form an implantation space in the human spine and, if desired, for inserting a spinal implant into the implantation space.

30 Claims, 12 Drawing Sheets



U.S. PATENT DOCUMENTS

4,385,626 A 5/1983 Danz
 4,545,374 A * 10/1985 Jacobson 606/61
 4,638,792 A 1/1987 Burgin
 4,690,132 A 9/1987 Bayer et al.
 4,716,901 A 1/1988 Jackson et al.
 4,765,311 A 8/1988 Kulik et al.
 4,807,600 A 2/1989 Hayes
 4,817,587 A 4/1989 Janese
 4,862,891 A 9/1989 Smith
 4,989,587 A 2/1991 Farley
 5,015,247 A 5/1991 Michelson
 5,015,255 A 5/1991 Kuslich
 5,020,519 A * 6/1991 Hayes et al. 606/237
 5,088,472 A 2/1992 Fakhrai
 5,125,396 A 6/1992 Ray
 5,304,119 A 4/1994 Balaban et al.
 5,342,384 A 8/1994 Sugarbaker
 5,377,667 A 1/1995 Patton et al.
 5,431,658 A 7/1995 Moskovich
 5,484,437 A 1/1996 Michelson
 5,503,617 A 4/1996 Jako
 5,509,893 A 4/1996 Pracas
 5,512,038 A 4/1996 O'Neal et al.
 5,571,109 A 11/1996 Bertagnoli
 5,593,409 A 1/1997 Michelson
 5,609,635 A 3/1997 Michelson
 5,630,843 A 5/1997 Rosenberg
 5,681,265 A 10/1997 Maeda et al.
 5,776,199 A 7/1998 Michelson
 5,785,647 A 7/1998 Tompkins et al.
 5,785,648 A 7/1998 Min
 5,788,630 A 8/1998 Furnish
 5,795,291 A 8/1998 Koros et al.
 5,797,909 A 8/1998 Michelson
 5,803,904 A 9/1998 Mehdizadeh
 5,846,249 A * 12/1998 Thompson 606/119
 5,860,973 A 1/1999 Michelson
 5,866,113 A 2/1999 Hendriks et al.
 5,868,668 A 2/1999 Weiss
 5,876,457 A 3/1999 Picha et al.
 5,885,210 A 3/1999 Cox
 5,895,426 A 4/1999 Scarborough et al.
 5,899,854 A 5/1999 Shishman
 5,910,174 A 6/1999 Finn
 5,928,139 A 7/1999 Koros et al.
 5,931,777 A 8/1999 Sava
 5,944,658 A 8/1999 Koros et al.
 5,951,564 A 9/1999 Schroder et al.
 5,954,635 A 9/1999 Foley et al.
 5,968,098 A 10/1999 Winslow
 5,993,385 A 11/1999 Johnston et al.
 5,997,474 A 12/1999 Batchelor
 6,004,341 A 12/1999 Zhu et al.
 6,010,509 A 1/2000 Delgado et al.
 6,012,363 A 1/2000 Minkin
 6,024,696 A 2/2000 Hoftman et al.
 6,042,540 A 3/2000 Johnston et al.
 6,063,088 A 5/2000 Winslow
 6,080,155 A 6/2000 Michelson
 6,083,228 A 7/2000 Michelson
 6,096,044 A 8/2000 Boyd et al.
 6,096,046 A 8/2000 Weiss
 6,099,547 A 8/2000 Gellman et al.
 6,139,493 A 10/2000 Koros et al.
 6,139,563 A 10/2000 Cosgrove, III et al.
 6,149,583 A 11/2000 Vierra et al.
 6,159,214 A 12/2000 Michelson
 6,159,215 A 12/2000 Urbahns et al.
 6,190,414 B1 2/2001 Young et al.
 6,210,412 B1 4/2001 Michelson
 6,224,545 B1 5/2001 Cocchia et al.
 6,224,604 B1 5/2001 Suddaby
 6,224,607 B1 5/2001 Michelson
 6,287,322 B1 9/2001 Zhu et al.
 6,302,842 B1 10/2001 Auerbach et al.
 6,309,349 B1 10/2001 Bertolero et al.
 6,416,467 B1 7/2002 McMillin et al.
 6,431,658 B1 8/2002 Nakajima et al.

6,450,952 B1 9/2002 Rioux et al.
 6,485,517 B1 11/2002 Michelson
 6,494,883 B1 12/2002 Ferree
 6,517,544 B1 2/2003 Michelson
 6,520,967 B1 2/2003 Cauthen
 6,692,501 B2 2/2004 Michelson
 6,699,247 B2 * 3/2004 Zucherman et al. 606/61
 6,712,795 B1 3/2004 Cohen
 6,712,825 B2 * 3/2004 Aebi et al. 606/90
 6,749,563 B2 6/2004 Stihl
 6,851,430 B2 2/2005 Tsou
 6,896,680 B2 5/2005 Michelson
 6,923,810 B1 8/2005 Michelson
 6,986,772 B2 1/2006 Michelson
 7,211,085 B2 5/2007 Michelson
 7,314,468 B2 1/2008 Michelson
 2002/0111680 A1 8/2002 Michelson
 2002/0123753 A1 9/2002 Michelson
 2002/0128659 A1 9/2002 Michelson
 2003/0023209 A1 * 1/2003 Gruskin et al. 604/290
 2003/0135220 A1 * 7/2003 Cauthen 606/87
 2003/0199874 A1 10/2003 Michelson
 2003/0229401 A1 * 12/2003 Mansouri et al. 623/23.71
 2004/0073309 A1 4/2004 Bianchi et al.
 2004/0181233 A1 9/2004 Michelson
 2005/0043741 A1 2/2005 Michelson
 2005/0216085 A1 9/2005 Michelson
 2007/0016220 A1 1/2007 Michelson
 2007/0213739 A1 9/2007 Michelson

FOREIGN PATENT DOCUMENTS

DE 200 16 971 U1 1/2001
 EP 0 455 282 A2 12/1994
 EP 0 796 593 A2 9/1997
 EP 1 192 905 A1 4/2002
 FR 613642 A 11/1926
 FR 2 702 364 A1 3/1993
 RU 2019136 C1 9/1994
 RU 2 157 656 C2 10/2000
 RU 2 192 177 C2 11/2002
 WO WO 93/20741 A1 10/1993
 WO WO 99/63891 A1 12/1999
 WO WO 00/19911 A2 4/2000
 WO WO 01/56513 A1 8/2001

OTHER PUBLICATIONS

U.S. Appl. No. 60/274,869, filed Mar. 2001, Michelson.
 Abbott, A.C., et al.; The Medical News; A Weekly Medical Journal; vol. LX; Jan.-Jun. 1892; 4 cover pages and pp. 1-568 and 571-736.
 Accoucheur's Antique Vaginal Speculum; www.fcgapultoscollection.com/amisc.html; various specula from the 1800 and 1900s; 7 pages.
 Accoucheur's Antique Vaginal Speculum, www.fcgapultoscollection.com/speculum.html; various specula from the 1500s through the 1800s; 6 pages.
 Papavero-Caspar; "Transsphenoidal Speculum for Pituitary Surgery;" Aesculap; undated; cover page and pp. 2-5.
 AESCULAP Catalog; Cat No. C20111; Edition Jan. 2000; 14 pages.
 Allen, Stanton, et al.; The American Journal of Obstetrics and Diseases of Women and Children; vol. XVI; 1883; 5 cover pages and pp. iv-v, vii-xl, 1-175, 180-1116, 1118-1304, and 1 page of images.
 Aloe' Illustrated and Priced Catalogue of Superior Surgical Instruments, Physician's Supplied and Hospital Furnishings, Sixth Edition; 1893; cover page and pp. 340, 341, and 448-461.
 Ashton, William Easterly; A Text-Book on the Practice of Gynecology for Practitioners and Students; Sixth Edition; 1916; 2 cover pages and pp. 9-1097.
 Book of Illustrations to S. Maw, Son & Thompson's Quarterly Price-Current; Surgeons' Instruments, Etc.; 1891; cover page and pp. 58, and 97.
 Caspar, Wolfhard; "The Microsurgical Technique for Herniated Lumbar Disk Operations and other Pathologic Process of and around the Lumbar Disk Space;" Aesculap Scientific Information; 4th ed., Ch. 20; 1988; 2 cover pages and pp. 3 and 46.
 Caspar, Wolfhard; "Technique of Microsurgery;" Microsurgery of the Lumbar Spine; Ch. 12, pp. 105-122; Dec. 1989.

- Catalog of Equipment and Supplies for Physicians Industries Clinics Nursing Homes Laboratories; Fifty-Seven Edition; The G. A. Ingram Co.; 1957; 2 cover pages and pp. 150-155.
- Catalog of Highest Quality Equipment Instruments and Supplies for Hospitals—Clinics—Physicians—Health Departments; Shaw Supply Co., Inc.; 1947; 2 cover pages and pp. 186-187, 191, 023, 234-235, 270, 288, and 296.
- Catalog of Hospital-Clinic Physician-Laboratory Supplies & Equipment; Bischoff's Surgical House; 1951; 2 pages.
- A Catalogue of Books for Students; Including a Full List of The ?Quiz-Compend?, Manuals, Text-Books and Students' Aids; Catalogue No. 7; Feb. 1887; 16 pages.
- Catalogue of Publications of Lea Brothers & Company; 1897; pp. 1-32.
- Catalogue of Surgical Instruments; Arnold and Sons; 1885; 2 pages.
- Catalogue of Surgical instruments and Appliances: Manufactured and Sold by Philip Harris & Co., Ltd.; 1904; cover page and pp. 29, 35-36, 53, 57, and 153.
- Catalogue of Surgical Instruments of Superior Quality; Twenty-third Edition; The Kny-Scheerer Corps.; 1928; cover page and pp. 1001, 2008, 2043, 2062, 2079, 2100-2148, 2180, 2187-2190, 3034-3037, 3079, 3159-3161, 3192-B, 3246-3256, 5002-5021, 5171-5181-A, and 5204-5209.
- Codman & Shurtleff, Inc. Makers of Surgeons Instruments; 1954; 2 cover pages and pp. 49-56, 264, 295-299, 314, 322-325, and 354-355.
- Davenport, Francis Henry; Diseases of Women: A Manual of Gynecology Designed Especially for the Use of Students and General Practitioners; Third Edition; 1898; 8 cover pages and pp. viii-xvi, and 17-391.
- De Vilbiss' Vaginal Speculum; Dittrick Museum of Medical History; undated; 8 pages.
- De Vilbiss' Vaginal Speculum; Dittrick Museum of Medical History; undated; 7 pages.
- De Vilbiss' Vaginal Speculum; Dittrick Museum of Medical History; undated; 2 pages.
- Foley, K.T., et al.; "Microendoscopic Discectomy;" *Tech Neurosurg* 3; 1997; pp. 301-397.
- Goodell's Speculum; Dittrick Museum of Medical History; undated; 8 pages.
- Goodell's Speculum; Dittrick Museum of Medical History; undated; 6 pages.
- Illustrated Catalogue of Domestic and Imported Surgical Instruments Suction, Pressure and Anaesthesia Apparatus Physicians and Hospital Supplies; Tenth Edition: J. Sklar Manufacturing Co.; 1934; 4 cover pages and pp. 110-113, 116-118, 147-148, 162-165, 191, 246-247, 252, 254, 279-286, and 311-316.
- Illustrated Catalogue of Surgical and Scientific Instruments and Appliances; Hospital & Invalid Furniture, Sterilizers, Nursing Requisites, First Aid Equipment, Etc.; 7th Edition; The Surgical Manufacturing Co., Ltd.; 1920; cover page and pp. 398 and 442.
- Illustrated Catalogue of Surgical Instruments; Kloman Instruments Co., Inc.; 1935; cover page and pp. 163-164, 187-190, 290-291, 293-294, and 303-305.
- Illustrated Catalogue of Surgical Instruments, Medical Appliances, Diagnostic Apparatus, Etc.; Hynson, Westcott & Co.; 2 cover pages and pp. 3148-3151, 3158-3167, and 5159-5167.
- Illustrations of Bone, Cranium, Fracture, Intestine, Rectum, Suture, Dressing and Anaesthesia Surgical Instruments of Superior Quality; The Kny-Scheerer Company; 1914; 2 cover pages and pp. 2187-2190.
- Instrument in Operating Room; 1974; 17 pages.
- Instruments De Chirurgie Mobilier Chirurgical Appareils De Sterilisation Electricite Medicale; 1924; 3 pages.
- Japan Medical Instrument Catalog; JMC; 1957; 2 cover pages and pp. 31, 76-77, and 79.
- Kay Surgical, Inc. Catalog of Hospital Equipment Physicians' Equipment and Surgical Supplies Laboratory Apparatus and Chemicals; 2 cover pages and pp. 104, and 113-115.
- Keating, John Marie, et al. (Editors): Clinical Gynecology, Medical and Surgical for Students and Practitioners; 1987; 4 cover pages and pp. iii-xviii, 1-485, 488-494, 496-994, and 24 pages of figures.
- Massey, G. Betton; Conservative Gynecology and Electro-Therapeutics; Sixth Revised Edition; 1909; 7 cover pages and pp. iii-xvi, 1-462, and 24 pages of figures.
- McCulloch, JA., et al.; "Instrumentation for Spinal Microsurgery, Including Ancillary Equipment;" *Essentials of Spinal Microsurgery*; 1998; pp. 19-42.
- Medical Antiques: Obstetrics and Stethoscopes; medicalantiques.com; medical antiques from the pre-1900 era; 7 pages.
- Medical Diagnostic Instruments Made In Germany; 1953; 2 cover pages and p. 1.
- Medical Instruments and Apparatus: Illustrations of Cervical Dilators: Collections of the National Library of Medicine; 1888; 2 pages.
- Miltex Surgical Instruments Catalogue; 1996; 656 pages.
- Montgomery, E.E.; "Endometritis; Uterine Dilatation and Drainage;" *The Medical News: A Weekly Medical Journal*, vol. 60; Jan.-Jun. 1892; pp. 404-407.
- Nelson's Tri-Valve Vaginal Speculum Pat 1902; www.phisick.com/a4vst02.htm; instrument dated Feb. 11, 2002; 6 pages.
- P & H Hospital Catalog; Physicians and Hospitals Supply Company, Inc.; 1954; 2 cover pages and pp. 160, 192, 245-255, 273, and 275-276.
- Papanier Wells, Maryann, et al.; Surgical Instruments, A Pocket Guide, Second Edition; 4 cover pages and pp. 222-223, 232-233, and 244-245.
- Papavero, Luca, et al.; *The Lumbar Microdiscectomy; Acta Orthopaedica Scandinavica*; vol. 64, Issue 251; 1993; pp. 34-37.
- Reid, W.L.; *New Bivalve Speculum; The Transactions of the Edinburgh Obstetrical Society*; vol. VIII; 1883; pp. 57-59.
- Reid, William L.; *On the Vaginal Speculum, With a Description of a New Form of the Instrument; The American Journal of Obstetrics and Diseases of Women and Children*; vol. XVI; 1883; 276-281.
- Ricci, James V.; *The Vaginal Speculum and Its Modifications Throughout the Ages*; 1949; 29 pages.
- Ricord Bi-valve Vaginal Speculum 1860s; www.phisicks.com/ia4vrs3.htm; website indicates instrument was introduced in the 1860s; 8 pages.
- Ricord Virginal Vaginal Speculum—Charriere; www.phisick.com/a4vrs2.htm; website indicates instrument was introduced circa 1860; 8 pages.
- Riordan, Teresa; "A Business Man Invents a Device to Give Laparoscopic Surgeons a Better View of Their Work." *The New York Times*; Mar. 29, 2004; 1 pages.
- Saunders' Books on Nervous and Mental Diseases, Children, Hygiene, Nursing, and Medical Jurisprudence; W.B. Saunders Company; pp. 1-16.
- Smiths' Reference and Illustrated Guide to Surgical Instruments; 1983; 2 cover pages and pp. 198-201, 653-701, and 911-930.
- Stainless Steel and Chrome Plated Surgical Instruments Suction, Pressure and Anaesthesia Apparatus Surgical Specialties Physician's and Hospital Supplies; Thirteenth Edition Illustrated Catalog; J. Sklar Manufacturing Co.; 1942; cover page and pp. 106-109, 113-114, 153-155, 221-222, 228, 251-252, 256-258, and 283-285.
- Standard Surgical Instruments; Medical Department U.S.A.; 1920; 3 cover pages and pp. 94-95, 171, 199-202; 215, 248-249, 251, 281-283, 287, 309, and 335-338.
- The Surgical Armamentarium; Instruments-Professional Equipment; V. Mueller; 1973; cover page and p. 182.
- Surgical and Dental Instrument Catalogues from the Civil War Era; Snowden and Brother and John Weiss and Son; 1997; 10 pages.
- Surgical and Dental Instruments, Galvanic Batteries, Artificial Limbs, Artificial Eyes, Deformity Apparatus, Elastic Stockings, Trusses, Etc., Etc.; Noyes Bros. & Cutler; 1895; cover page and pp. 401-405.
- SurgiCat—The Royal College of Surgeons of England On-line Collections; <http://surgicat.rcseng.ac.uk/arbzmf451k0o4v2qo0tqxx55/detail.aspx?parentprf=>; various specula from the 16th through the 20th century; 12 pages.
- Thompson, C.J.S.; *The History and Evolution of Surgical Instruments*; 1943; 2 cover pages and pp. 46-55.
- Thorburn, John; *A Practical Treatise on the Diseases of Women; Prepared with Special Reference to the Wants of the General Practitioner and Advanced Student*; 1887; 5 cover pages and pp. viii-xvi, 1-21, 24-533, and 536-575.

US 7,998,143 B2

Page 4

The Transactions of the Edinburgh Obstetrical Society; vol. VIII; 1883; 5 cover pages, pp. vi-xii and 1-168, and 8 pages of figures.

Tri-Valve Vaginal Speculum by Zorn NY; www.phisick.com/a4vagspectrivnelson01.htm; website indicates instrument was introduced in the late 19th century; 7 pages.

Verzeichniss von Chirurgischen Instrumenten, Bandagen und Artikeln zur Krankenpflege aus der Fabrik von Hermann Haertel (Directory of Surgical Instruments, Bandages, and Articles for Medical Care from the Factory of Hermann Haertel); 1887; cover page and pp. 94-95, 128-129, and 147.

Wilbur, Keith C.; *Antique Medical Instruments*; 1987; 3 cover pages and pp. 49-52, 54-57, and 67-72.

Winckel, F.; *Diseases of Women: A Handbook for Physicians and Students*; 1887; 5 cover pages and pp. vi-xxix, 3, and 26-674.

4-Blade Folding Gilt and Ivory Vaginal Speculum; www.phisick.com/a4vagspec4bivory.htm; website indicates instrument was introduced in 1840; 8 pages.

* cited by examiner

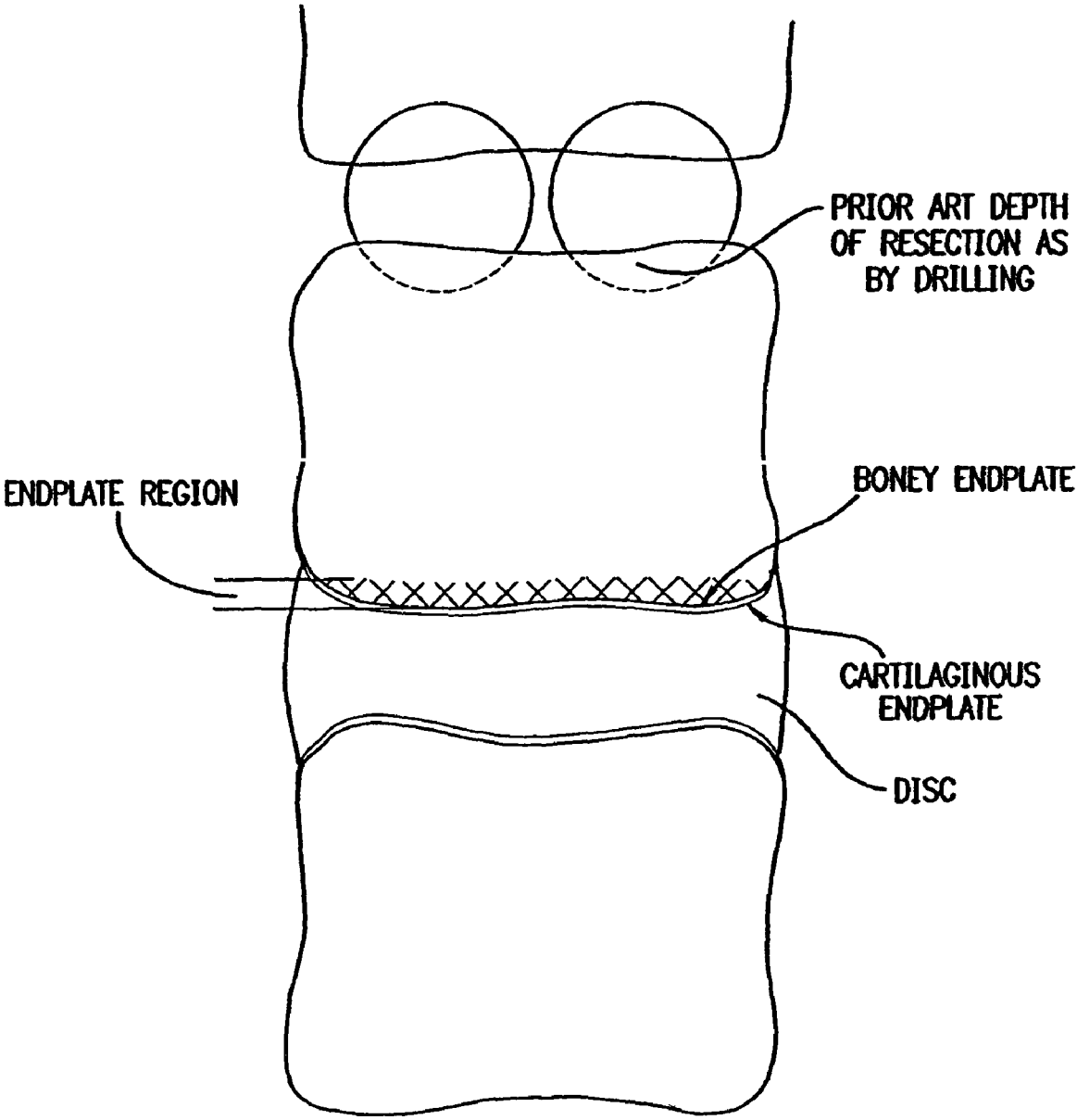


FIG. 1

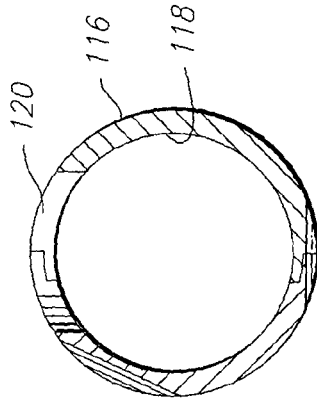


FIG. 6

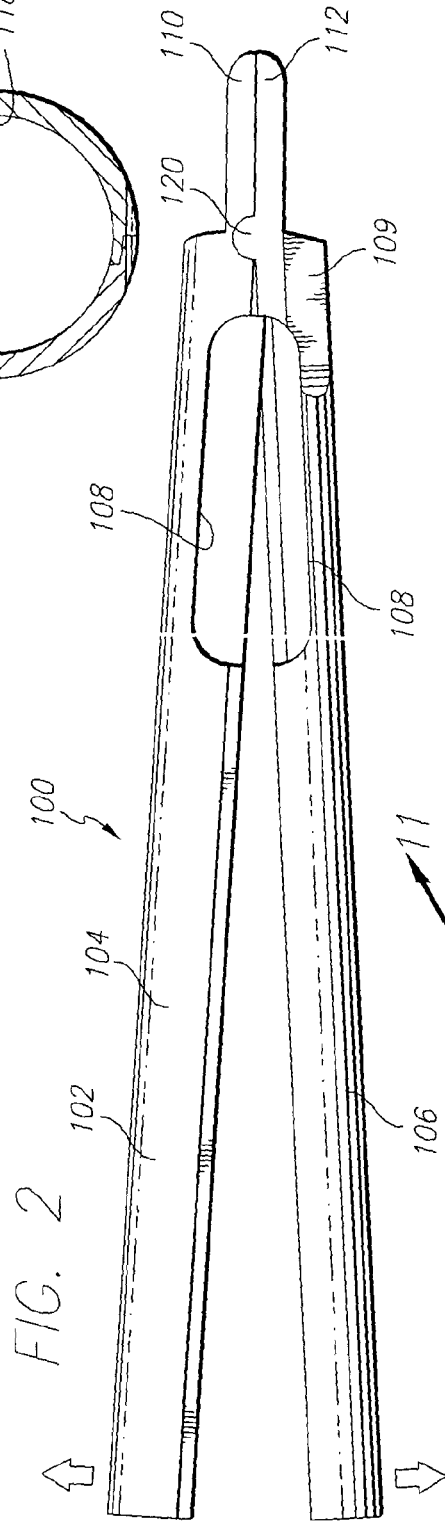


FIG. 2

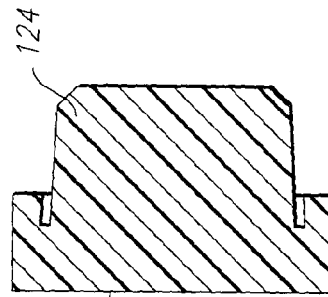


FIG. 11

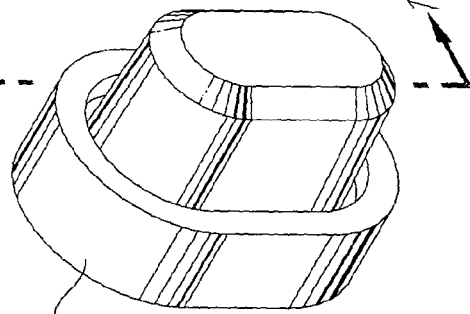


FIG. 10

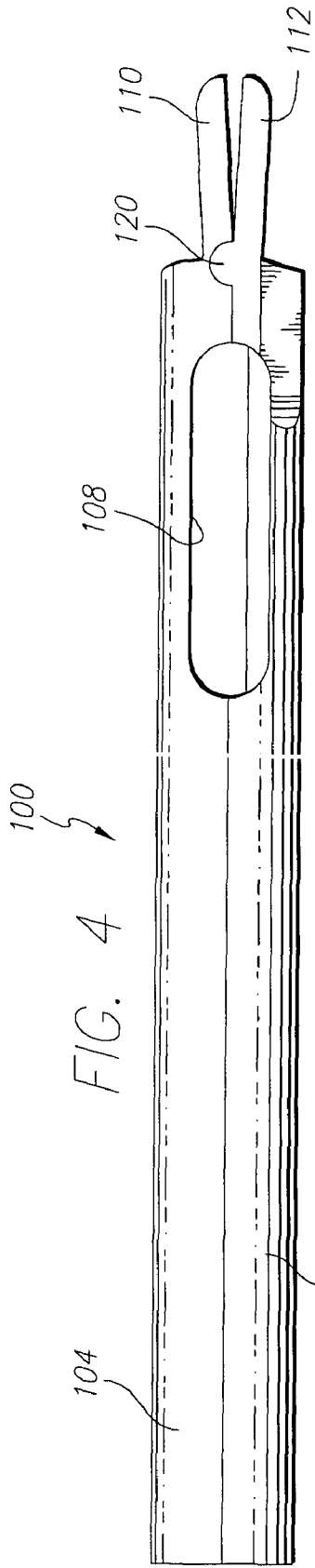


FIG. 4

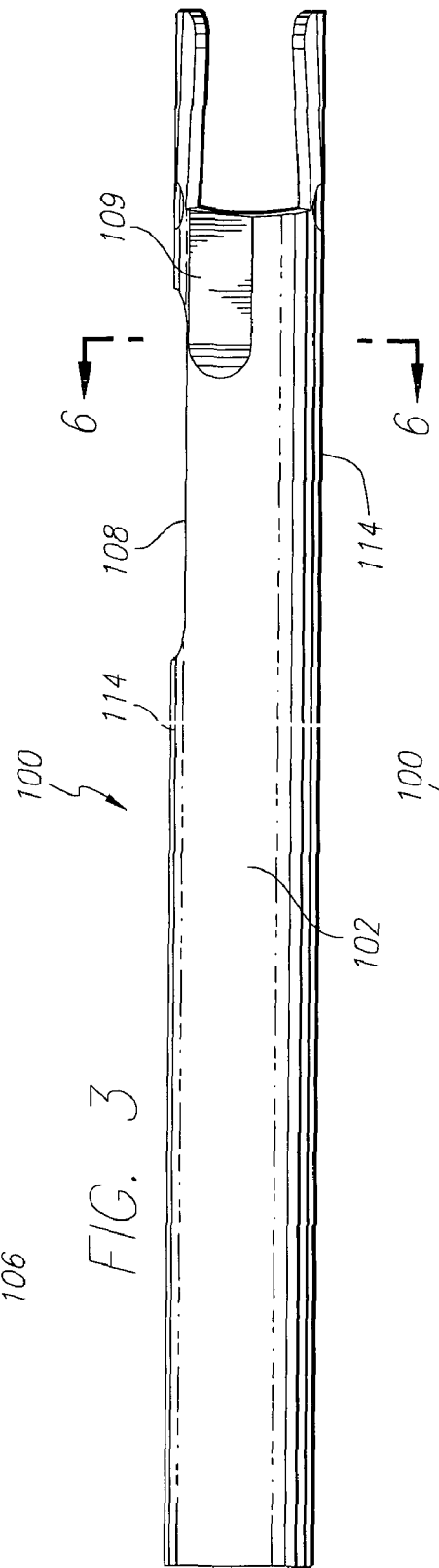


FIG. 3

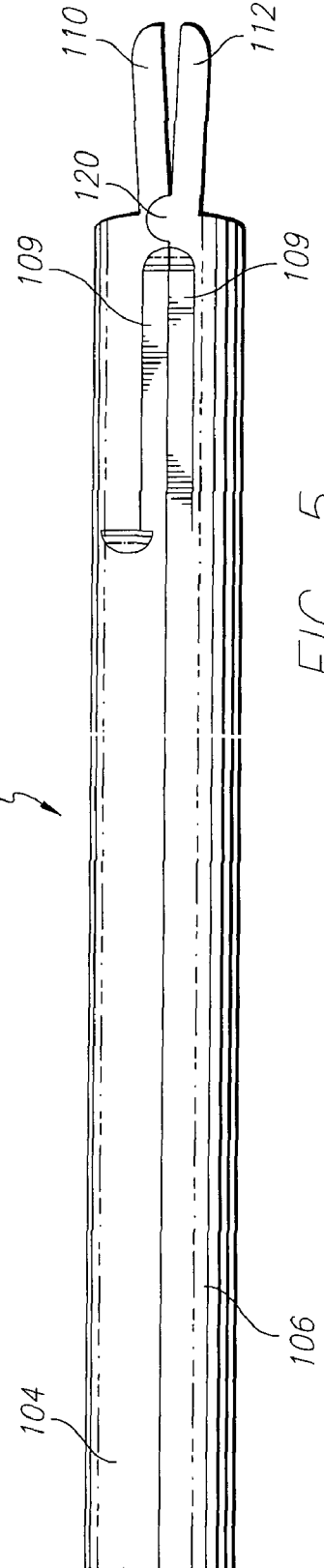


FIG. 5

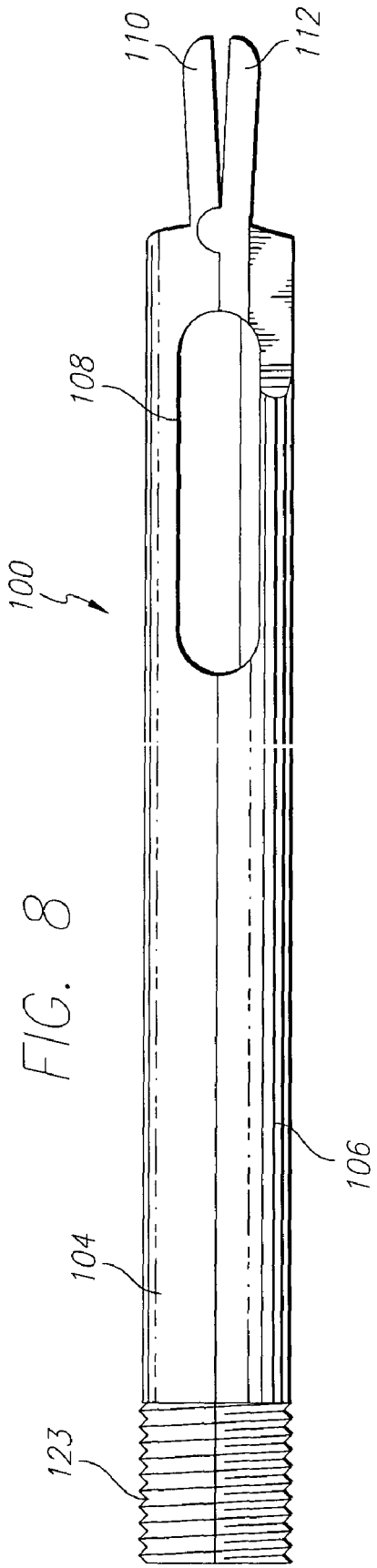


FIG. 8

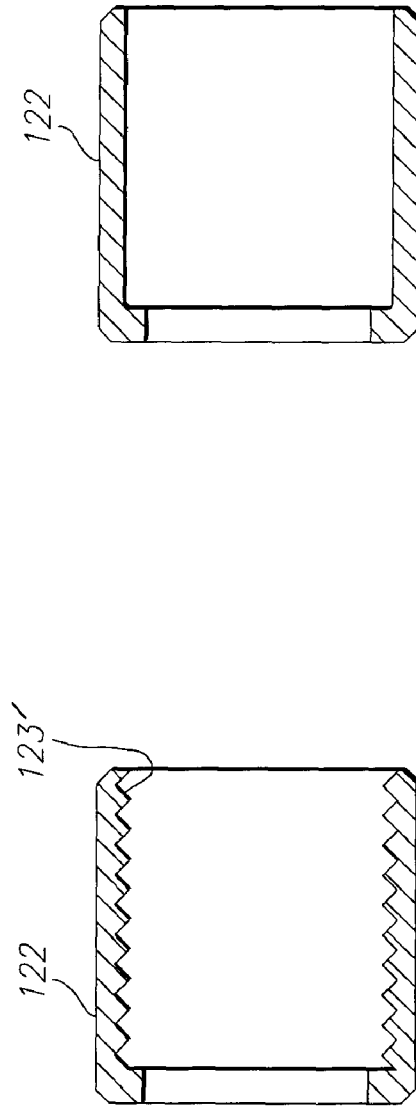
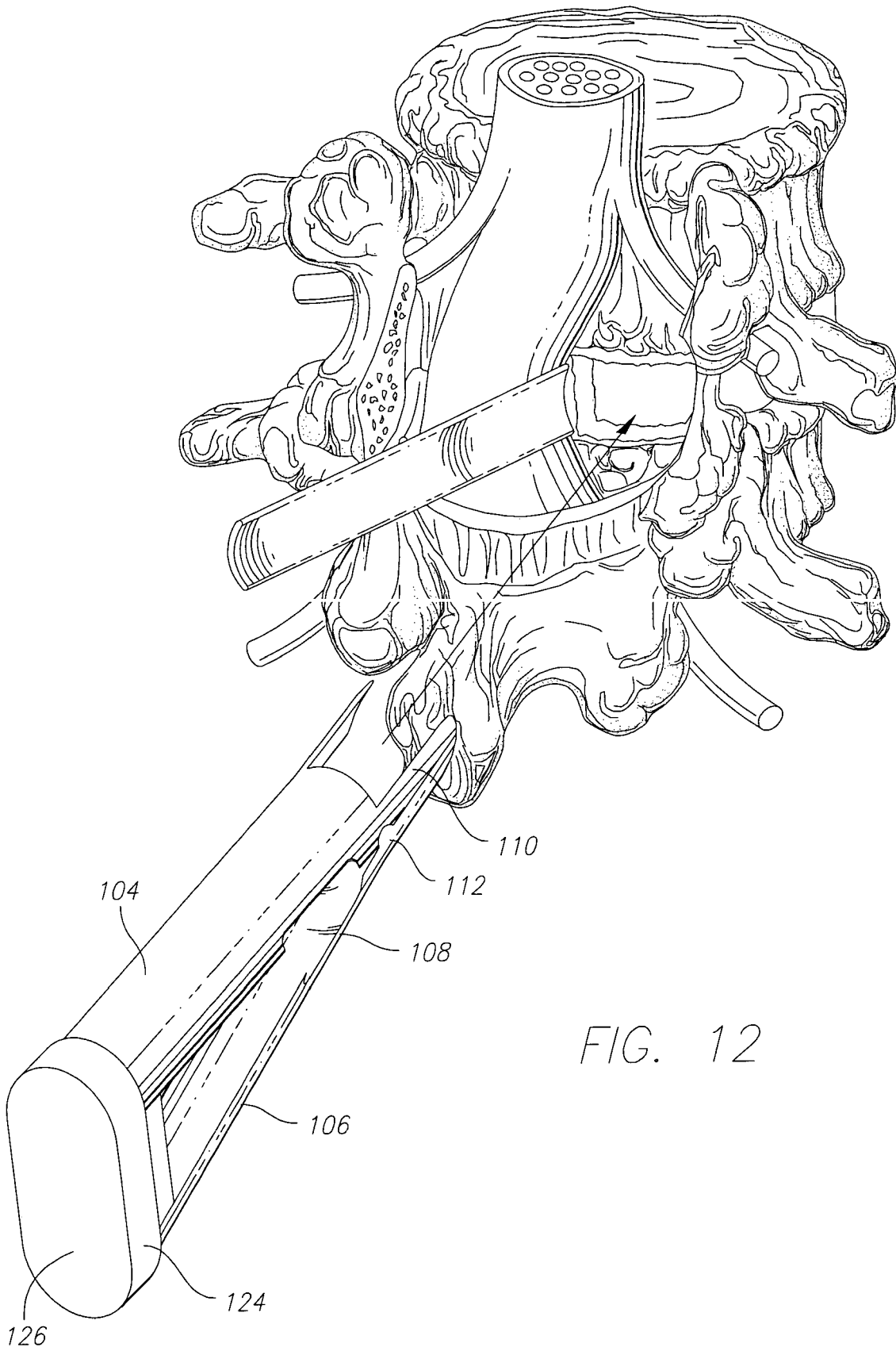


FIG. 9

FIG. 7



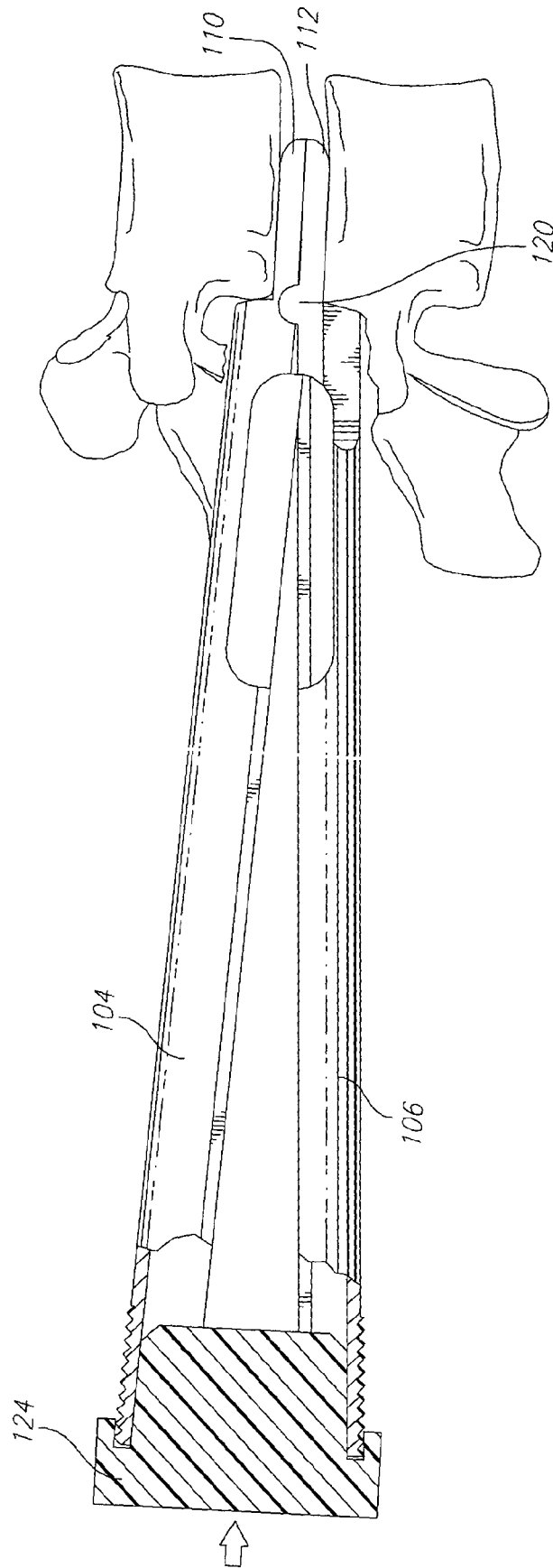
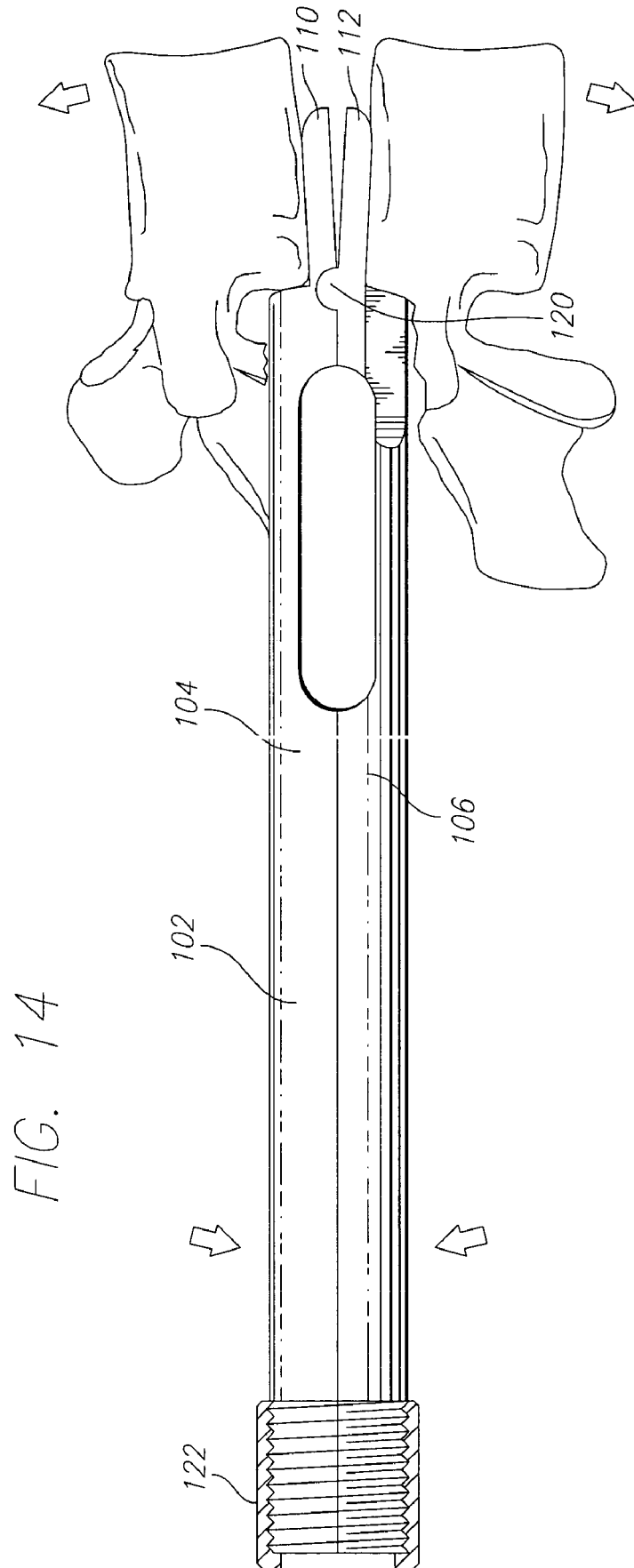


FIG. 13



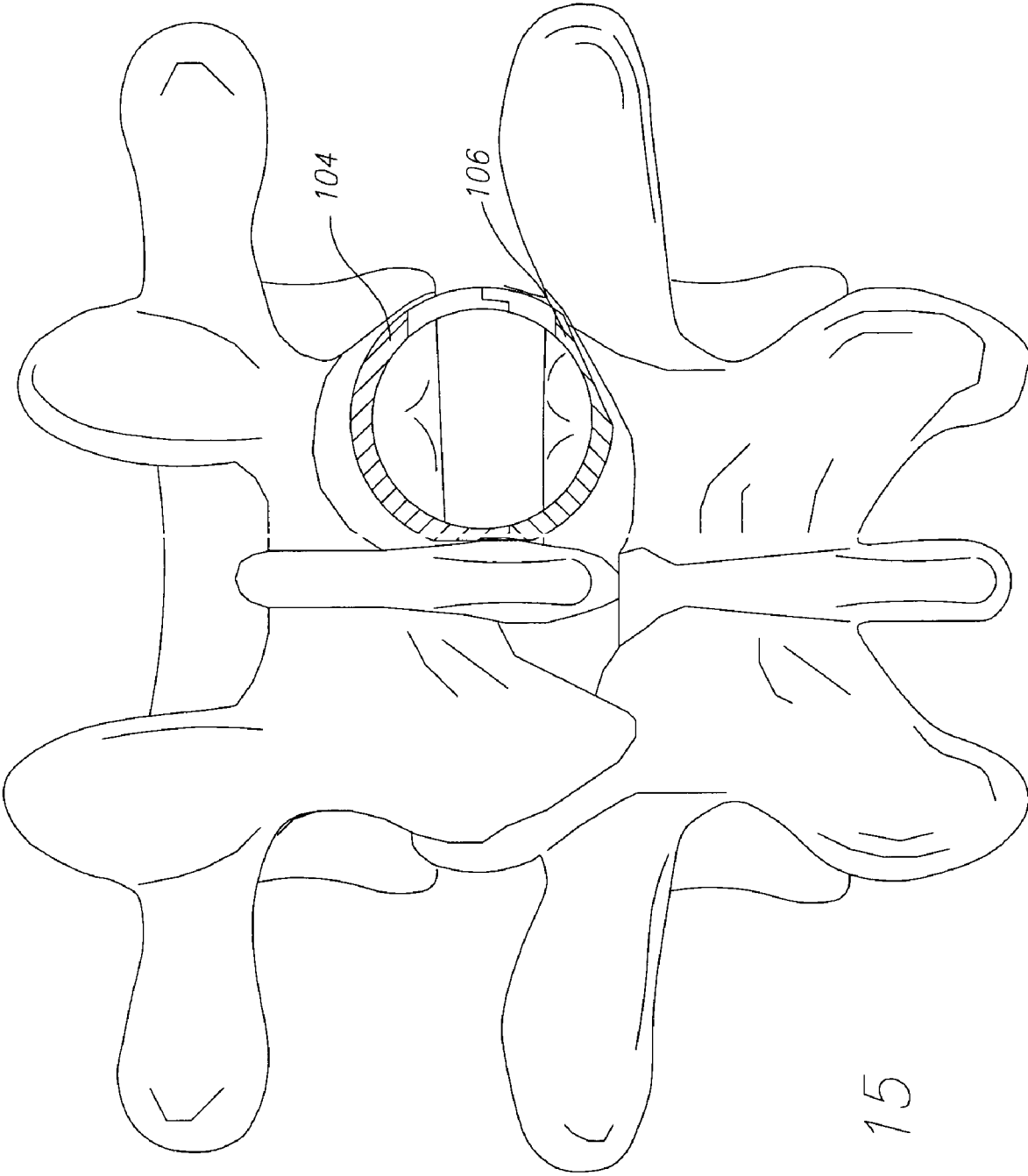


FIG. 15

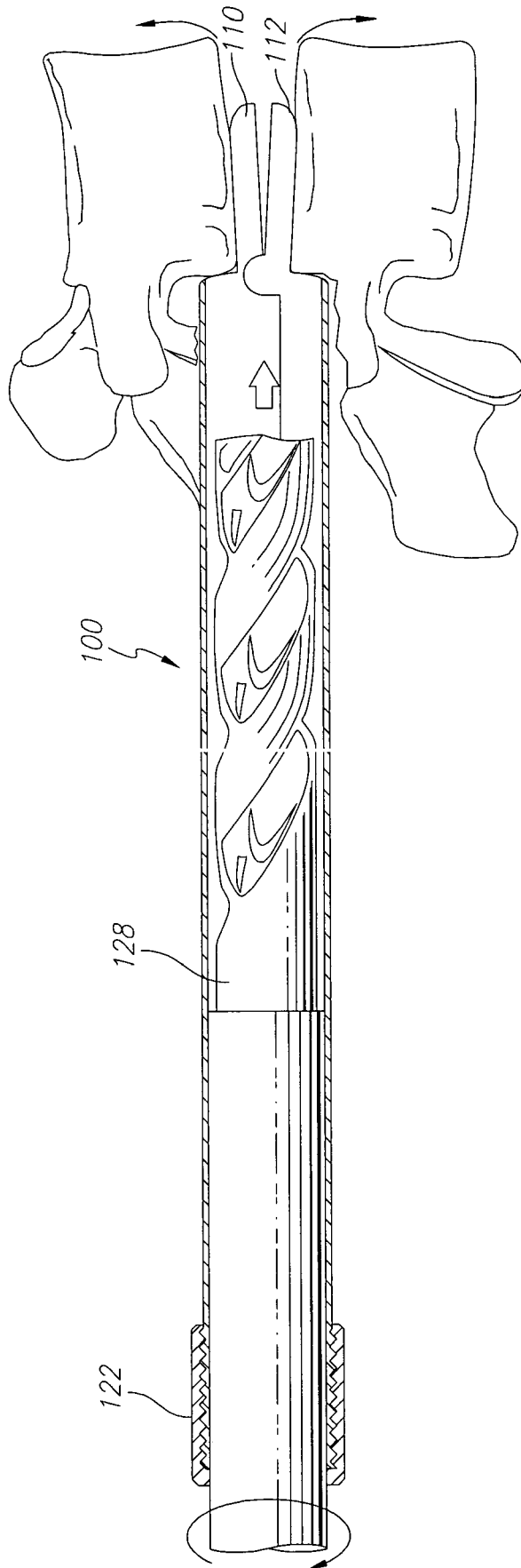


FIG. 16

FIG. 17

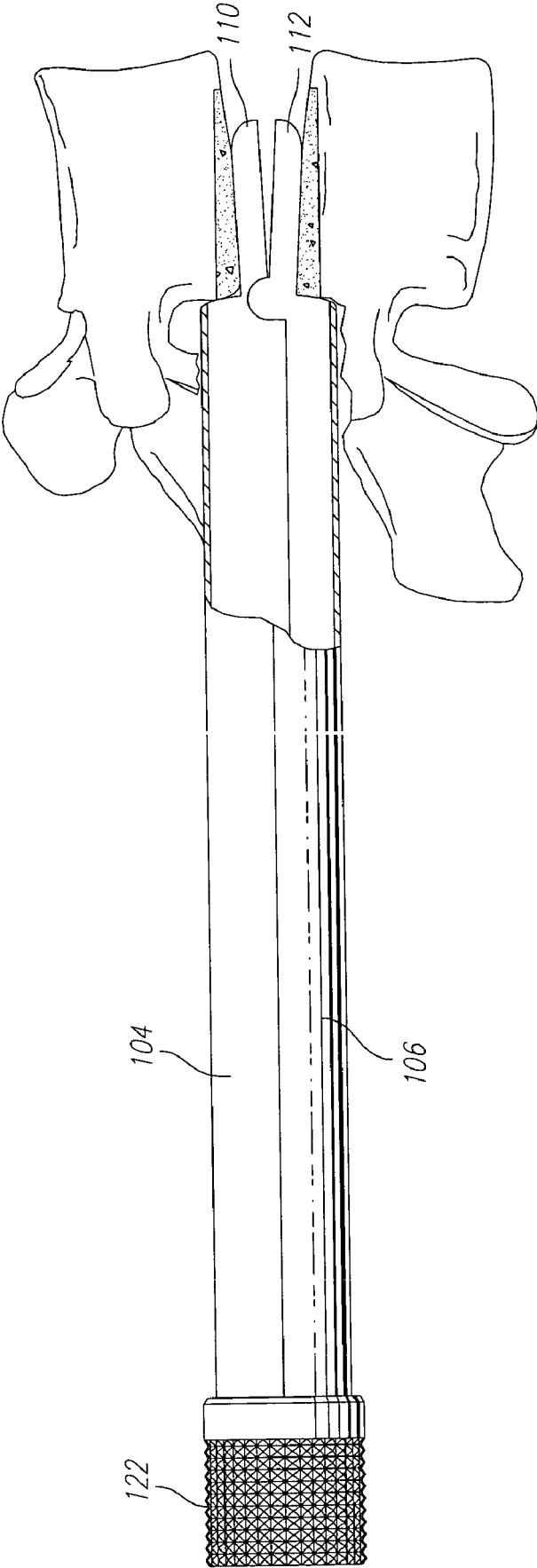
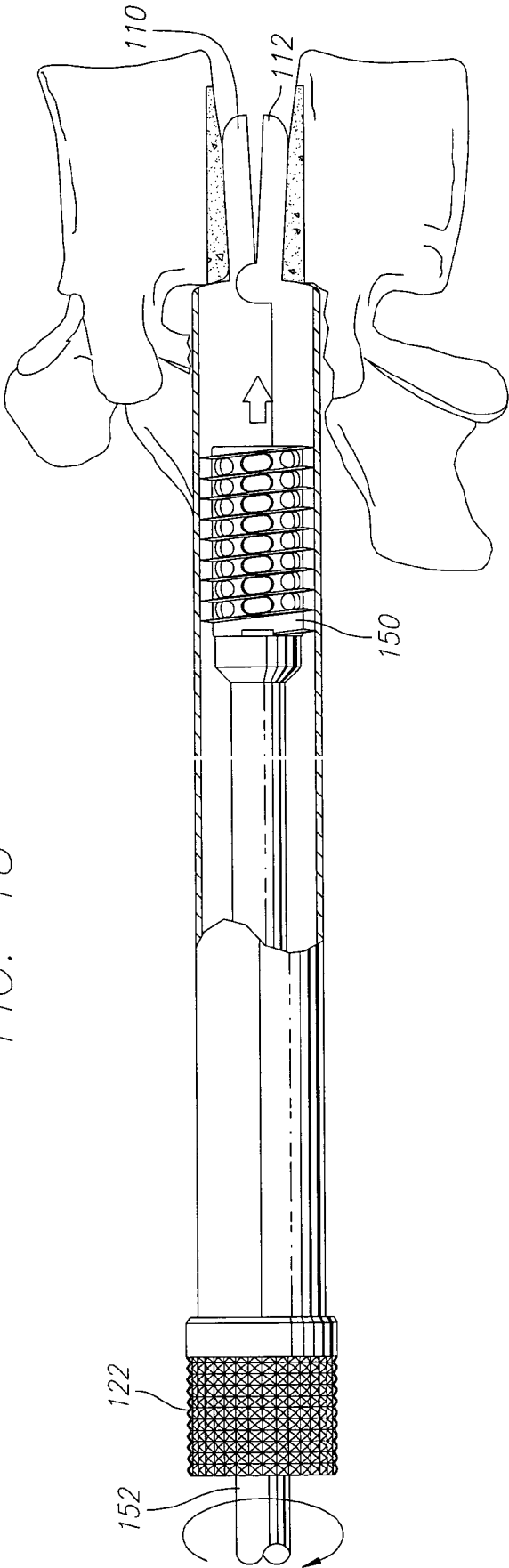
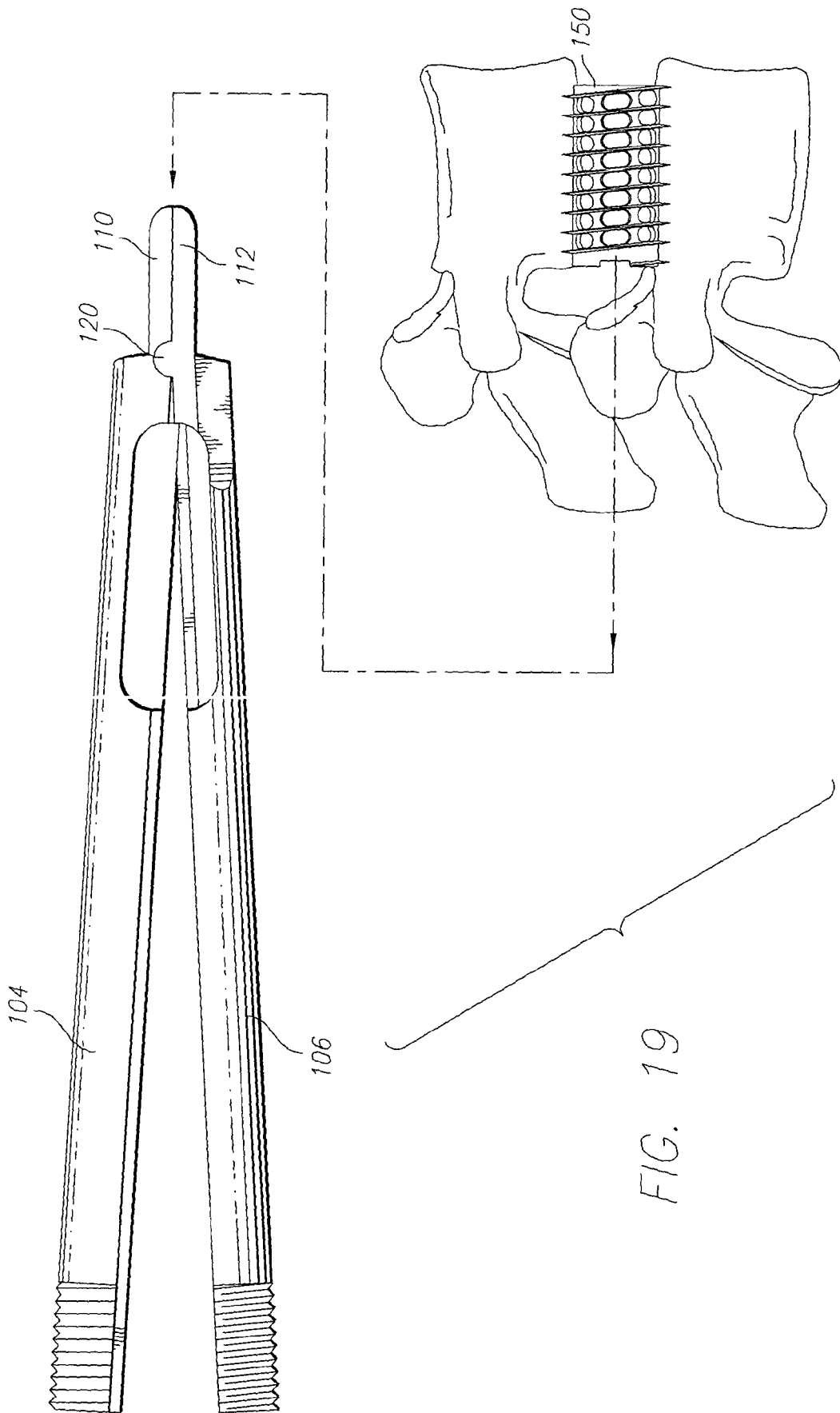


FIG. 18





1

DYNAMIC GUARD

This application is a continuation of application Ser. No. 10/085,406, filed Mar. 1, 2002 now U.S. Pat. No. 6,896,680, which claims the benefit of U.S. provisional application No. 60/272,382, filed Mar. 1, 2001, all of which is incorporated herein by reference.

FIELD OF THE INVENTION

The present invention relates to a device for implantation into a disc space between adjacent vertebral bodies in the human spine, and a device and method for working on those portions of the vertebral bodies adjacent that disc space to remove bone material and thereby access vascular bone, and preferably a device and method for protecting the neurological structures such as nerve roots and dural sac proximate the implantation site while providing protected access to form an implantation space and then access the implantation space formed between the adjacent vertebral bodies for insertion therein of an implant having upper and lower surfaces being at least in part arcuate. The device and associated method are used to position (space apart and align) the vertebral bodies, guide the formation of a surface into or through each of the vertebral body surfaces that are adjacent the intervertebral disc space, and may further be utilized to guide an interbody spinal implant having upper and lower surfaces being at least in part arcuate into the implantation space.

In one embodiment, the device and associated method are used to make an implantation space to insert an implant of a height having a known correspondence to the height of the space created. In another embodiment, the device and associated method are used to make an implantation space of known and specific dimensions (e.g., width; depth; and height) and with certain preferred embodiments, permit passage through the device of an implant having a height greater than the height of the implantation space formed through the device.

BACKGROUND OF THE INVENTION

Human vertebral bodies are comprised of a dense, hard outer shell and a relatively less dense inner mass. The hard outer shell is very densely compacted cancellous bone, resembling cortical bone at all but high magnification, and is generally referred to as the cortex. The inner mass is a softer cancellous bone. As shown in FIG. 1, the outer shell of cortex bone (the bony endplate) that is adjacent the disc and the bone immediately beneath that bone (both are subchondral, that is, beneath the cartilage layer or cartilaginous endplate that separates the bone from the disc), are defined for the specific purposes of this specification to comprise the "end plate region" to avoid any confusion that might otherwise arise from any inconsistency in the use of any of these terms. While it is understood that these terms may have other meanings more ordinary or special, and that those of ordinary skill in the art might otherwise differ as to the correct meanings of these terms, it is exactly for the purpose of removing any ambiguity that these terms are being so precisely defined specifically for this specification.

The spinal disc that resides between adjacent vertebral bodies maintains the spacing between those vertebral bodies and in a healthy spine, allows for relative motion between the vertebrae. At the time of surgery, for example in the instance of interbody fusion, that is, where fusion is intended to occur between adjacent vertebral bodies of a patient's spine, the surgeon typically prepares an opening at the site of the

2

intended fusion by removing a substantial amount of the nucleus disc material that exists between the adjacent vertebral bodies to be fused. Because the outermost layers of bone of the vertebral end plate are relatively inert to new bone growth, the surgeon will typically work on the end plate to remove at least the outermost cell layers of bone to gain access to the blood-rich, vascular bone tissue within the vertebral body. In this manner, the vertebrae are prepared in a way that encourages new bone growth consistent with fusion.

Devices for assisting a surgeon in accessing the disc space and adjacent vertebral bodies are known. Drill guides and boxed chisels have been used to form an implantation space between the adjacent vertebral bodies for insertion of a spinal implant therein. Applicant invented a guard and instrument system particularly well suited for use in the lumbar spine and of unequalled advantage for use posteriorly therein through which both the implantation space can be formed and a spinal implant can be inserted into the implantation space, as disclosed in U.S. Pat. No. 5,015,247, filed Jun. 13, 1988, which is hereby incorporated by reference.

Applicant also invented a guard having disc penetrating extension(s), which extensions have utility for stabilizing the guard, stabilizing the adjacent vertebrae relative to each other, urging the vertebrae apart if desired, and aligning the vertebrae to each other if desired to form the implantation space through the guard and insert the spinal implant through the guard into the implantation space, as disclosed in U.S. Pat. No. 6,080,155 filed Feb. 27, 1995, incorporated herein by reference. The disc penetrating extensions can have either parallel or angled upper and lower surfaces in contact with the adjacent vertebral bodies to place the adjacent vertebral bodies parallel to one another or at an angle to one another. The disclosed disc penetrating extensions are rigid.

To obtain a particular orientation between the adjacent vertebral bodies a surgeon selects a guard having a predetermined orientation between the upper and lower surfaces of the disc penetrating extensions. In the case of disc penetrating extensions that have upper and lower surfaces diverging from one another as would be useful for posterior lumbar interbody fusion (PLIF), so as to be higher at the insertion or distal end than at the trailing or proximal end of the extensions, a tapered leading end is used to facilitate insertion of the disc penetrating extensions into the disc space. Such a configuration allows for lordosis of the lumbar segment of a spine to be operated upon from a posterior approach. For extensions that have diverging upper and lower surfaces, additional force is required to drive the guard and extensions into place. Then, after an implant is inserted, it may be difficult to remove a distractor element such as a guard having disc penetrating extensions having a maximum height greater than the height of the disc space posterior height.

Present methods of forming the implantation space between adjacent vertebral bodies generally include the use of one or more of the following: hand held biting and grasping instruments known as rongeurs; drills and drill guides; rotating burrs driven by a motor; and osteotomes and chisels. Applicant has taught various novel instruments to mill out the recipient fusion site across the height of the disc space including various cutting/milling frames and various novel cutters as disclosed in applicant's U.S. application Ser. No. 08/688,758, incorporated herein by reference.

The surgeon must work upon the adjacent end plates of the adjacent vertebrae to access the vascular, cancellous bone that is best suited for participating in the fusion and causing active bone growth, and also to attempt to obtain an appropriately shaped surface in the vertebral bodies to receive the implant. Because the end plates of the adjacent vertebrae are not flat,

3

but rather have a complex biological as opposed to geometrical curved shape, it is necessary to conform the vertebrae to the shape of the implant to be received therebetween.

There is a need for a guard for use in posterior lumbar surgery to create an interbody implantation space while providing for spinal lordosis and while being easily and safely inserted and as easily and safely removed.

SUMMARY OF THE INVENTION

In accordance with the purposes of the present invention, as embodied and broadly described herein, a guard of this invention is provided for use in spinal surgery across a disc space between two adjacent vertebral bodies of a human spine. The guard includes a body having a leading end and an opposite trailing end. The body has a first portion and a second portion proximate the leading end that are in pivotal relationship to one another between an open position and a closed position. The first and second portions each have opposed interior portions that are at least in part arcuate and define an opening for providing protected access to the disc space and the adjacent vertebral bodies. The opposed interior portions are adapted to guide a bone removal device therethrough that is sized to form an implantation space across the disc space and at least in part into the adjacent vertebral bodies. The guard also includes at least one disc space penetrating extension extending from the leading end of the body that is adapted for insertion at least in part into the disc space. The extension has a first portion extending from the first portion of the body that has a contact surface adapted to bear against one of the adjacent endplates of the adjacent vertebral bodies. The extension also has a second portion extending from the second portion of the body that has a contact surface adapted to bear against the other of the adjacent endplates of the adjacent vertebral bodies. The contact surfaces of the first and second portions of the extension are in pivotal relationship to one another from an insertion position to a deployed position to move the adjacent vertebral bodies apart upon movement of the first and second portions of the body from the open position to the closed position.

The body of the guard may have a generally rectangular or generally square cross section along at least a portion of the length of the body. The leading end of the body may be adapted to conform at least in part to the exterior surfaces of the adjacent vertebral bodies by having the leading end cut back to permit the contact surfaces to have an intimate fit with the vertebral bodies when the guard is in the deployed position. The body may include at least one window adapted to permit the surgeon to observe the surgery through the window and/or permit portions of bone extending through the window to be removed by the bone removal device passing through the body of the guard.

The guard may include a second disc penetrating extension diametrically opposite to a first disc penetrating extension. Each disc penetrating extension may have a tapered leading end and have contact surfaces that are parallel to each other over a substantial portion of the length of each extension when in the insertion position. The first and second portions of each disc penetrating extension may be adapted to touch one another when in the insertion position.

The first and second portions of the body may be hinged to one another to rotatably articulate relative to one another about an axis of rotation that is fixed relative to the mid-longitudinal axis of the guard when moved from the open position to the closed position. The body may have an interior surface having a cooperating surface for guiding a corresponding cooperating surface on the bone removal device.

4

The guard may include an impaction cap adapted to cooperatively engage the trailing end of the body when the body is in the open position. The guard may include a lock in the form of a collar adapted to cooperatively engage the body of the guard when the body is in the closed position to hold the body in the closed position.

The guard may form part of a combined spinal surgery set that includes a bone removal device, an implant driver, and a spinal implant, or any combination thereof. The bone removal device may be a drill, mill, or any other device suitable for the intended purpose. The implant may be sized and shaped to at least in part match the space formed in the spine by the bone removal device and may be adapted to be combined or treated with a natural or artificial bone growth promoting material or substance.

In accordance with the purposes of another embodiment of the present invention, as embodied and broadly described herein, a guard of this invention is provided for use in spinal surgery across a disc space between two adjacent vertebral bodies of the human spine. The guard includes a body having an opening for providing protected access to the disc space and the adjacent vertebral bodies. The opening has opposed interior portions that are at least in part arcuate and adapted to guide therethrough a bone removal device sized to form an implantation space across the disc space and at least in part into the adjacent vertebral bodies. The guard also includes at least one disc space penetrating extension extending from the body that is adapted for insertion at least in part into the disc space. The disc penetrating extension has a first portion having a contact surface adapted to bear against one of the adjacent endplates of the adjacent vertebral bodies and a second portion having a contact surface adapted to bear against the other of the adjacent endplates of the adjacent vertebral bodies. The contact surfaces of the first and second portions are adapted to rotatably articulate relative to one another between an insertion position and a deployed position to move the adjacent vertebral bodies apart.

The body has a leading end and an opposite trailing end. The body may have a first portion and a second portion proximate the leading end that are adapted to rotatably articulate relative to one another between an open position and a closed position.

In accordance with the purposes of a further embodiment of the present invention, as embodied and broadly described herein, a method of this invention is provided for inserting a spinal implant having at least in part arcuate upper and lower portions at least in part within and across the generally restored height of a disc space between two adjacent vertebral bodies of a human spine. The method includes the steps of positioning into the disc space between the adjacent vertebral bodies a guard having a body and an extension for insertion at least in part into the disc space and for bearing against end plates of the adjacent vertebral bodies to restore the spacing of the disc space between the adjacent vertebrae, the guard having a first portion oriented toward one of the adjacent vertebral bodies and a second portion oriented toward another of the adjacent vertebral bodies, the first and second portions being rotatably articulating relative to one another such that when the body moves from an open position to a closed position the extension moves from an insertion position to a deployed position to move the adjacent vertebral bodies apart; rotatably articulating the guard to move the body from the open position to the closed position and the extension from the insertion position to the deployed position to move the adjacent vertebral bodies apart; and forming, through the guard, an opening across height of the disc space and into at

least a portion of the endplates of the adjacent vertebral bodies, the opening formed into the endplates having at least in part arcuate surfaces.

The method may include the further steps of performing the spinal implant surgery from a position posterior to the transverse processes of the vertebrae adjacent the disc space; performing the procedure on both sides of the spinal midline of the spine; securing the body of the guard in the closed position; and inserting two implants into the spine.

The positioning step may include the further steps of positioning a guard having multiple extensions for insertion into the disc space; placing the body of the guard in the open position; driving the extension into the disc space; and inducing angulation to the adjacent vertebral bodies relative to one another.

The rotatably articulating step may include the further steps of orienting the adjacent vertebral bodies in a predetermined relationship relative to each other; and inducing lordosis to the adjacent vertebral bodies.

The forming step may include the further steps of inserting the bone removal device through the guard to a desired depth; forming the implantation space with the bone removal device; and forming opposed receiving surfaces in the end plates of the vertebral bodies corresponding at least in part in size, shape, and contour to an implant to be implanted. The forming step may include any one of milling, drilling, reaming, and trephining the implantation space.

The method may include the further steps of inserting the implant into the implantation space through the guard, or inserting the implant into the implantation space after removing the guard from the disc space. The inserting step may include the further steps of inserting the implant using an implant inserter; and removing the implant inserter after using the implant inserter to insert the implant into the implantation space. The inserting step may also include inserting a spinal implant that is a spinal fusion implant that has at least in part arcuate upper and lower surfaces for placement between and in contact with the adjacent vertebral bodies, each of the upper and lower surfaces having at least one opening adapted to permit for the growth of bone from adjacent vertebral body to adjacent vertebral body through the implant. The inserting step may include inserting a spinal implant having a hollow between the upper and lower surfaces; inserting a spinal implant that is expandable; and inserting a spinal implant having surface projections configured to resist expulsion of the implant from the implantation space. The inserting step may include inserting any one of an inert spacer, an artificial disc, or a bone graft.

The inserting step may further include the steps of compressively loading the implant with fusion promoting substances selected from one of bone, bone derived products, demineralized bone matrix, ossifying proteins, bone morphogenetic protein, hydroxyapatite, and genes coding for the production of bone; and retaining the fusion promoting substance within the implant after the loading step. The step of retaining the fusion promoting substance may include attaching a cap to the implant.

The inserting step may also include the steps of treating the implant with a fusion promoting substance; inserting an implant in combination with a chemical substance adapted to inhibit scar formation; inserting an implant in combination with an antimicrobial material; inserting an implant including a fusion promoting substance or having a bone ingrowth surface; inserting an implant being at least in part of one of bone and bone growth promoting material; and inserting an implant in combination with at least one of a fusion promoting substance, bone, bone growth promoting material, bone

derived products, demineralized bone matrix, ossifying proteins, bone morphogenetic protein, hydroxyapatite, and genes coding for the production of bone.

The method may further include the steps of collapsing the extensions and removing the guard from the disc space.

The accompanying drawings, which are incorporated in and constitute a part of this specification, are by way of example only and not limitation, and illustrate several embodiments of the invention, which together with the description, serve to explain the principles of the invention. The scope of the invention is limited only by the scope of the claims as from the present teachings other embodiments of the present invention shall be apparent to those skilled in the art.

OBJECTS OF THE PRESENT INVENTION

The present invention has a number of embodiments, at least some of which have as an object of at least one embodiment of the present invention to provide a device and method for quickly, safely, effectively, and accurately spacing apart and positioning a pair of adjacent vertebral bodies to receive an implant, which is anything designed to be left in the body for an extended length of time, working upon the properly positioned vertebral body end plate regions adjacent a disc space so as to, remove bone to produce a receiving surface having an arcuate configuration corresponding to an implant having upper and lower surfaces being at least in part arcuate to be implanted between the adjacent vertebrae.

It is a further object of at least one embodiment of the present invention to provide a device and method that permits the insertion of disc penetrating extensions of a guard into the disc space posteriorly in a first position that facilitates insertion and removal of the disc penetrating extensions into and from the disc space and then permits the disc penetrating extensions to be moved into a second position that orients the adjacent vertebral bodies in a preferred lordotic relationship relative to the device and each other.

It is a further object of the present invention, in at least certain embodiments, to provide a device capable of working upon both of the vertebral body end plate regions adjacent a disc space to produce opposed arcuate receiving surfaces in the adjacent end plates corresponding at least in part in size, shape, and contour to an implant to be implanted with the exception of the height of the implant, which may be greater than the distance between the opposed receiving surfaces that may be distracted or otherwise moved apart by insertion of the implant, and in so doing to define the shape to the implantation space.

It is a further object of the present invention to provide a device that works with linear insertion, i.e., insertion along a single axis, and without removing the device during the process of disc space preparation and, if so desired with certain embodiments of the present invention, implant placement.

These and other objectives of the present invention will occur to those of ordinary skill in the art based on the description of the preferred embodiments of the present invention described below. However, not all embodiments of the inventive features of the present invention need achieve all the objectives identified above, and the invention in its broadest aspects is not limited to the preferred embodiments described herein.

BRIEF DESCRIPTION OF THE DRAWINGS

The accompanying drawings together with the description, serve to explain the objects, advantages, and principles of the invention. In the drawings:

7

FIG. 1 is a top plan view of a horizontal cross section through a bony end plate region of a vertebral body;

FIG. 2 is a side view of a preferred embodiment of a guard of the present invention with the disc penetrating extensions closed into a first or insertion position;

FIG. 3 is a bottom view of the guard shown in FIG. 2;

FIG. 4 is a side view of the guard of FIG. 2 with the disc penetrating extensions opened into a second or deployed position;

FIG. 5 is an opposite side view of the guard of FIG. 2 with the disc penetrating extensions opened into a second or deployed position;

FIG. 6 is a cross-sectional view of the guard shown in FIG. 3 taken along line 6-6 of FIG. 3;

FIG. 7 is side cross-sectional view of a lock collar for use with the guard of FIGS. 4 and 5;

FIG. 8 is a side view of an alternative embodiment of a guard with the disc penetrating extensions opened into a second or deployed portion;

FIG. 9 is a side cross-sectional view of a lock collar for use with the guard of FIG. 8;

FIG. 10 is a perspective view of an impaction cap for use with the guard of FIG. 2 or FIG. 8;

FIG. 11 is a cross-sectional view of the impaction cap of FIG. 10 taken along line 11-11 of FIG. 10;

FIG. 12 is a rear perspective view of a lumbar segment of a spine with the dural sac retracted to the left showing a partial discectomy and the guard with disc penetrating extensions of FIG. 2 approaching the disc space between the adjacent vertebral bodies with the disc penetrating extensions in the first or insertion position;

FIG. 13 is a side view of the guard of FIG. 8 inserted fully within the spine with the disc penetrating extensions parallel to one another in the first or insertion position with the impaction cap of FIG. 10 and a portion of the guard in cross-section on the distal end of the guard;

FIG. 14 is a side view of the guard of FIG. 8 in the deployed position with the disc penetrating extensions shown in the second or expanded position to induce lordosis to the vertebral bodies and the proximal or trailing end of the guard shown in partial cross-section with the locking cap of FIG. 9 assembled to maintain the guard in a closed position;

FIG. 15 shows a proximal end view of a guard in the deployed position between adjacent vertebral bodies with portions of the end plates of the adjacent vertebral bodies visible through the interior of the guard of FIG. 8;

FIG. 16 shows a side view of the guard of FIG. 8 in the deployed position with the disc penetrating extensions in an expanded position to induce angulation to the adjacent vertebral bodies and the distal end of the guard shown in cross-section to show a side view of a drill being inserted through the guard of FIG. 8;

FIG. 17 is a side view of the guard inserted into the adjacent vertebral bodies with the guard in the inserted position with securing end cap on the distal end thereof and the disc penetrating extensions in the expanded position showing the portions of the vertebral end plates removed by the cutting device;

FIG. 18 is a side view of the guard of FIG. 8 with proximal end in partial cross-section showing a spinal fusion implant and inserter passing through the guard to insert an implant into the disc space between the adjacent vertebral bodies; and

FIG. 19 shows a side view of the spinal segment with the implant of FIG. 25 inserted in the disc space and the guard

8

with the disc penetrating extensions in a first position to facilitate the removal of the guard.

DETAILED DESCRIPTION OF THE PRESENTLY PREFERRED EMBODIMENT

Reference will now be made in detail to the present preferred embodiments of the invention, as illustrated in the accompanying drawings.

FIGS. 2-5 are generally directed to an embodiment of a guard having a circular cross-section or having opposed upper and lower arcuate portions for use in spinal surgery for forming an implantation space between adjacent vertebral bodies of the lumbar spine from a posterior approach. As shown in FIG. 2, a guard 100 has a body 102 with a first portion 104 and a second portion 106. Guard 100 also has disc penetrating extensions 110, 112. In particular, first disc penetrating extension 110 extends from first portion 104 of body 102 and second disc penetrating extension 112 extends from second portion 106 of body 102.

In preferred embodiments, but not requisite, various windows 108 in guard body 102 allow the surgeon to remove portions of a facet, pedicle, or spinous process in the same procedure as the bone removal of the vertebral bodies for creating an insertion space therebetween. It is within the scope of the present invention to use a variety of window shapes in addition to the shape depicted to accommodate projecting bone structures. Window 108 also may be used in observing the procedure at various stages of the operation and if so desired for passing instruments therethrough. Rather than or in addition to a window 108, as best shown in FIGS. 2-5 and 8, the guard may have one or more indentations 109 of the wall of the body 102 to make room for a facet, pedicle, or spinous process. Indentation 109, shown in FIG. 3, allows guard 100 to clear the pedicle of the lower vertebra. Indentation 109, shown in FIG. 5, avoids interference with the bulge of the spinous process. Alternatively, indentation 109 of FIG. 5 could be a window to allow bone to protrude inside of guard 100 to be cut off during the drilling step of the surgical procedure. As best seen in top view FIG. 3, disc-penetrating extensions 110, 112 are preferably at least in part coextensive with the sides 114 of body 102.

FIG. 2 shows guard 100 with body 102 with disc penetrating extensions 110, 112 in a first or closed position, for insertion into the disc space between adjacent lumbar vertebral bodies to be operated upon. Whereas FIGS. 4, 5, and 8 show guard 100 with body 102 closed and disc penetrating extensions 110, 112 in a second or expanded or deployed position. FIG. 6 shows a cross-sectional view of guard 100 with exterior surface 116, interior surface 118, and hinges 120.

FIG. 7 is a side cross-sectional view of a lock collar 122 for use with guard 100 of FIG. 2. Lock collar 122 is used when body 102 of guard 100 is in the closed position to lock guard 100 into that position.

FIG. 8 is a side view of an alternative embodiment of guard 100 including a threaded end 123 for receipt of lock collar 122 of FIG. 9 having matching threads 123'.

A perspective view of an impaction cap 124 for use with guard 100 is shown in FIG. 10. FIG. 11 is a cross-sectional view of impaction cap 124. Impaction cap 124 is fit over the proximal or trailing end of guard 100 with body 102 in the open position and disc penetrating extensions 110, 112 in the closed, first, or insertion position. While it may be possible to insert the extensions of the guard into the disc space by holding the body of guard 100, impaction cap 124 provides a contact surface 126 upon which force can be applied, such as

with a mallet, to drive disc penetrating extensions **110, 112** of guard **100** into the disc space between adjacent vertebral bodies.

FIGS. **12-19** show the progression of various steps of a preferred method for using guard **100** and other associated equipment disclosed herein.

FIG. **12** is a perspective view of a segment of a spine viewed from a posterior aspect with the dural sac retracted to the left showing that a partial discectomy has already been performed. Guard **100** with disc penetrating extensions **110, 112** are shown approaching the disc space between the adjacent vertebral bodies with disc penetrating extensions **110, 112** in the first or insertion position. Impaction cap **124** is positioned on the proximal or trailing end of guard **100** to maintain it in the open position such that the disc penetrating extensions are closed into the insertion position. In this position, guard **100** is ready to be placed or driven into the disc space between the adjacent vertebral bodies.

In FIG. **13**, the extensions of guard **100** are fully inserted into the spine with the disc penetrating extensions parallel to one another in the first or insertion position. Impaction cap **124** is shown holding the guard in the open position and the disc penetrating extension in the first or insertion position. While the disc penetrating extensions of the first position are shown with a parallel orientation to one another, it is anticipated that the disc penetrating extensions may also be at an angle to one another in the first or closed position. Guard **100** rotationally articulates to permit movement of disc penetrating extensions **110, 112** in response to movement of first portion **104** and second portion **106** of body **102** relative to one another. The rotational articulation preferably occurs about hinge **120**, which is preferably formed in first and second portions **104, 106** of body **102**.

In FIG. **14**, body **102** of guard **100** is shown in a closed position with the disc penetrating extensions shown in the second, open or inserted position to induce lordosis to the vertebral bodies. After closing the body of guard **100**, the proximal or trailing end has lock collar **122** placed around it to maintain the body of guard **100** in the closed position. The axis of rotation through hinge **120** is at the back of the adjacent vertebral bodies.

FIG. **15** shows a proximal end view of guard **100** with the body in the closed and inserted position between adjacent vertebral bodies with portions of the end plates of the adjacent vertebral bodies visible through the interior of guard **100**.

In FIG. **16** the body of guard **100** is in a closed position with disc penetrating extensions **110, 112** in the second, expanded or inserted position to induce angulation to the adjacent vertebral bodies. At the distal end of guard **100** shown in cross-section is a side view of drill **128** being inserted through guard **100**. Guard **100** provides protected access to the disc space and the adjacent vertebral bodies for drill **128** via the elongated opening in guard **100**. In one embodiment shown in FIGS. **18** and **19**, threaded implant **150** having a body sized to match the space formed in the spine by drill **128** is screwed into the adjacent vertebral bodies. Drill **128** may have a reduced diameter cutting portion relative to the shaft diameter or may be inserted through an inner sleeve that passes into guard **100** to guide drill **128** to form an implantation space smaller than the passage through guard **100**. Thus, the guard opening may be taller than the height of the cutting portion of drill **128**. Such a taller opening also allows the implantation of an implant **150** taller than the height of the cutting portion of drill **128**. For example, a taller oval implant or one with truncated sides may be linearly inserted into the implantation space having arcuate cuts into the adjacent vertebral bodies.

Implant **150** may be threaded, ratcheted, knurled, or have any other surface projections to facilitate engaging the adjacent vertebral bodies.

FIG. **17** shows the resected bone after removal of drill **128**.

As best shown in FIG. **18**, an implant **150**, such as a threaded interbody fusion device, motion preserving device or other insert and an inserter **152** may be passed through guard **100** to insert implant **150** into the disc space between the adjacent vertebral bodies which guard may be left in place throughout the procedure.

Implant **150** may be made of artificial or naturally occurring materials suitable for implantation in the human spine. Implant **150** may also take a variety of shapes, for example, circular or oval in cross section. Implant **150** can comprise bone including, but not limited to, cortical bone. Implant **150** can also be formed of material other than bone, such as metal including, but not limited to, titanium and its alloys or ASTM material, surgical grade plastics, plastic composites, ceramics, or other materials suitable for use as an interbody implant. The plastics may be bioresorbable. Implant **150** can further be formed of bone growth promoting materials, including but not limited to, bone morphogenetic proteins, hydroxyapatite, and genes coding for the production of bone. Implant **150** can be treated with a bone growth promoting substance, can be a source of osteogenesis, or can be at least in part bioabsorbable. Implant **150** also can be formed of a porous material. Further, implant **150** may be used in combination with chemical substances and/or compounds applied at the trailing end of the implant to inhibit scar formation, and a cap may be of benefit in shielding fusion-promoting substances contained in the implant from these scar formation inhibiting chemicals and compounds.

As illustrated in FIG. **19**, after implant **150** is inserted into the implantation space into contact between the adjacent vertebral bodies, body **102** of guard **100** is opened and disc penetrating extensions **110, 112** are thus placed in the first, closed position to facilitate the removal of guard **100** from the disc space. If not for the ability of the extensions to be retrieved from their lordotic inserted position, there would be no easy way to remove the guard.

In summary, a preferred method of the present invention includes: performing from a posterior approach in the lumbar spine at least a partial laminectomy sufficient for access to the disc space; performing at least a partial discectomy, which more preferably provides sufficient space to receive the guard disc penetrating extensions to a depth which may be generally similar to the depth of implant **150** to be received; retracting and protecting the dural sac; inserting guard **100** with extensions **110, 112** into the disc space; inducing lordosis to the adjacent vertebral bodies; securing body **102** of guard **100** in the closed position; and inserting drill **128** through guard **100** to a desired depth. The depth of insertion may be monitored by x-ray. At this point debris may be removed by irrigation suction from within and/or about guard **100**. Extensions **110, 112** are then collapsed and guard **100** is then removed. Any additional debris may be removed after removal of guard **100**, again by irrigation suction. Implant **150** may be inserted through guard **100** prior to its removal from the disc space, or may be inserted after guard **100** is removed while retractors are utilized as needed to protect the proximate neural structures.

Guard **100** preferably is used for posterior lumbar interbody implantation procedures. Guard **100** includes a height, a width, and a distance between its front and rear portion. The height of body **102** is preferably between 8-25 mm and the opening height is preferably 8-20 mm. Disc penetrating extensions **110, 112** may have any shape or configuration

11

suitable for the intended purpose disclosed herein including extensions with parallel or angled upper and lower surfaces in the closed or open position. Preferably, disc penetrating extensions **110**, **112** have a combined height when closed of 6-18 mm and a length of 12-32 mm. For posterior lumbar interbody fusion, drill **128** is preferably 8-20 mm in height. These dimensions could be greater or less and still be useful for their intended purpose while still being within the inventive scope of the present invention.

Although various embodiments of the present invention have been disclosed for purposes of illustration and are for purposes of example only and not limitation, it will be understood by those of ordinary skill in the art that changes, modifications, and substitutions may be incorporated in these embodiments without departing from the spirit or scope of the present invention.

What is claimed is:

1. A guard for use in human spinal surgery, comprising: a body having a leading end, an opposite trailing end, a length between said leading and trailing ends, and a mid-longitudinal axis extending along the length, said body having a first portion and a second portion articulatable relative to one another between an open position and a closed position, said first and second portions having at least in part opposed interior arcuate portions, respectively, said first and second portions of said body defining an opening for providing a protected pathway to adjacent vertebral bodies and a disc space therebetween, said first and second portions of said body being articulatable about an axis of rotation that passes through at least a portion of the pathway, said first and second portions of said body being hinged to one another to afford rotatable articulation thereof about the axis of rotation, said opposed interior arcuate portions of said first and second portions of said body being parallel to one another when said body is in the closed position, said opposed interior arcuate portions of said first and second portions of said body being angled to one another when said body is in the open position, said opening defined by said first and second portions of said body being generally circular when said body is in the closed position, said first and second portions of said body contacting one another adjacent said trailing end when said body is in the closed position, said opening defined by said first and second portions of said body providing an unobstructed passage when said body is in the closed position, said opposed interior arcuate portions being adapted to guide a surgical instrument through said unobstructed passage, said body having an exterior surface that has opposed upper and lower surfaces oriented toward the adjacent vertebral bodies, respectively, said upper and lower surfaces being at least in part arcuate, said exterior surface of said body having opposed side surfaces, said side surfaces being at least in part arcuate, said first and second portions of said body when in the closed position forming a tube.
2. The guard of claim **1**, wherein said opening defined by said first and second portions of said body is generally oval when in the open position.
3. The guard of claim **1**, wherein said opening defined by said first and second portions of said body is generally elliptical when in the open position.
4. The guard of claim **1**, wherein at least a portion of said upper and lower surfaces of said exterior surface are parallel to one another when said body is in the closed position.

12

5. The guard of claim **1**, wherein at least a portion of said upper and lower surfaces of said exterior surface are angled to one another when said body is in the open position.

6. The guard of claim **1**, wherein said side surfaces of said exterior surface are parallel to one another.

7. The guard of claim **1**, wherein said body has an exterior surface that has a generally circular cross section along at least a portion of the length of said body when in the closed position.

8. The guard of claim **1**, wherein said body has an exterior surface that has a generally oval cross section along at least a portion of the length of said body when in the open position.

9. The guard of claim **1**, wherein said body has an exterior surface that has a generally elliptical cross section along at least a portion of the length of said body when in the open position.

10. The guard of claim **1**, wherein the axis of rotation about which said first and second portions of said body rotatably articulate relative to one another is fixed relative to the mid-longitudinal axis of said body when moved between the closed position and the open position.

11. The guard of claim **1**, further comprising a lock adapted to cooperatively engage said body of said guard when said body is in the closed position to hold said body in the closed position.

12. The guard of claim **11**, wherein said lock is a collar adapted to cooperatively engage said body of said guard when said body is in the closed position to hold said body in the closed position.

13. The guard of claim **1**, wherein said body has a height in the range of 8-25 mm.

14. The guard of claim **1**, wherein said opening defined by said first and second portions of said body has a height in the range of 8-20 mm.

15. The guard of claim **1**, in combination with a bone removal device for forming through said guard an implantation space across the disc space.

16. The guard of claim **15**, wherein said bone removal device is selected from the group consisting of a drill, a trephine, a reamer, an end mill, a chisel, and a burr.

17. The guard of claim **15**, wherein said bone removal device has a height in the range of 8-20 mm.

18. The guard of claim **15**, wherein said implant is at least in part resorbable.

19. The guard of claim **1**, in combination with an implant driver sized in part for passage through said opening for passing an implant through said guard and into the disc space.

20. The guard of claim **1**, in combination with a spinal implant adapted to be inserted into the implantation space formed through said guard.

21. The guard of claim **20**, wherein said implant comprises at least one of bone and a bone growth promoting material.

22. The guard of claim **21**, wherein said bone growth promoting material is selected from one of bone, bone derived products, demineralized bone matrix, ossifying proteins, bone morphogenetic protein, hydroxyapatite, and genes coding for the production of bone.

23. The guard of claim **20**, wherein said implant is in combination with a bone growth promoting material.

24. The guard of claim **23**, wherein said bone growth promoting material is selected from one of bone, bone derived products, demineralized bone matrix, ossifying proteins bone morphogenetic protein, hydroxyapatite, and genes coding for the production of bone.

13

25. The guard of claim **20**, wherein said implant comprises at least one of the following materials: metal, titanium, plastic, and ceramic appropriate for implantation in the human body.

26. The guard of claim **20**, wherein said implant is formed of a porous material.

27. The guard of claim **20**, in combination with a chemical substance adapted to inhibit scar formation.

28. The guard of claim **20**, in combination with an antimicrobial material.

14

29. The guard of claim **1**, wherein the axis of rotation of said first and second portions intersects the mid-longitudinal axis of said body.

30. The guard of claim **1**, wherein the axis of rotation of said first and second portions bisects a cross section of said guard in a plane extending through the axis of rotation and perpendicular to the mid-longitudinal axis of said body.

* * * * *

UNITED STATES PATENT AND TRADEMARK OFFICE
CERTIFICATE OF CORRECTION

PATENT NO. : 7,998,143 B2
APPLICATION NO. : 10/675820
DATED : August 16, 2011
INVENTOR(S) : Gary K. Michelson

Page 1 of 1

It is certified that error appears in the above-identified patent and that said Letters Patent is hereby corrected as shown below:

Title Page 1, Item (56):

U.S. Patent Documents, line 1 thereof: change "6/1868" to -- 6/1898 --.

Title Page 2, Item (56) Other Publications, Column 2:

Line 57: change "Alllen" to -- Allen --;
Line 60: change "Aloe' Illustrated" to -- Aloe's Illustrated --;
Line 61: change "Supplied" to -- Supplies --; and
Line 70: change "Process" to -- Processes --.

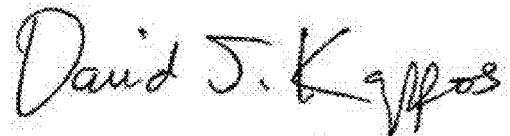
Title Page 3, item (58) Other Publications:

Column 1, line 6: change "023," to -- 203, --;
Column 1, line 37: change "301-397" to -- 301-307 --;
Column 2, line 34: change www.phisicks.com/ to -- www.phisick.com/ --; and
Column 2, line 42: change "1 pages." to -- 1 page. --.

Column 12:

Line 62: change "proteins bone" to -- proteins, bone --.

Signed and Sealed this
Twenty-fourth Day of January, 2012



David J. Kappos
Director of the United States Patent and Trademark Office