



(12) **United States Patent**  
**Michelson**

(10) **Patent No.:** **US 8,066,705 B2**  
(45) **Date of Patent:** **Nov. 29, 2011**

(54) **INSTRUMENTATION FOR THE  
ENDOSCOPIC CORRECTION OF SPINAL  
DISEASE**

(75) Inventor: **Gary Karlin Michelson**, Venice, CA  
(US)

(73) Assignee: **Warsaw Orthopedic, Inc.**, Warsaw, IN  
(US)

(\* ) Notice: Subject to any disclaimer, the term of this  
patent is extended or adjusted under 35  
U.S.C. 154(b) by 2201 days.

(21) Appl. No.: **10/371,757**

(22) Filed: **Feb. 21, 2003**

(65) **Prior Publication Data**  
US 2003/0158553 A1 Aug. 21, 2003

**Related U.S. Application Data**

(60) Continuation-in-part of application No. 08/074,781,  
filed on Jun. 10, 1993, now Pat. No. 5,484,437, which  
is a continuation-in-part of application No.  
07/698,674, filed on May 10, 1991, now abandoned,  
which is a division of application No. 07/205,935, filed  
on Jun. 13, 1988, now Pat. No. 5,015,247, said  
application No. 10/371,757 is a continuation-in-part of  
application No. 08/219,626, filed on Mar. 28, 1994,  
now abandoned.

(51) **Int. Cl.**  
**A61F 17/56** (2006.01)

(52) **U.S. Cl.** ..... **606/60; 606/246; 606/248**

(58) **Field of Classification Search** ..... **606/60-61,**  
**606/246-249, 300-301**

See application file for complete search history.

(56) **References Cited**

**U.S. PATENT DOCUMENTS**

350,420 A 10/1886 Dillon  
1,137,585 A 4/1915 Craig  
2,065,659 A 12/1936 Cullen  
2,181,746 A 11/1939 Siebrandt  
2,243,718 A 5/1941 Moreira  
2,372,622 A 3/1945 Fassio

(Continued)

**FOREIGN PATENT DOCUMENTS**

DE 1961531 7/1970

(Continued)

**OTHER PUBLICATIONS**

U.S. Appl. No. 08/219,626, filed Mar. 1994, Michelson.

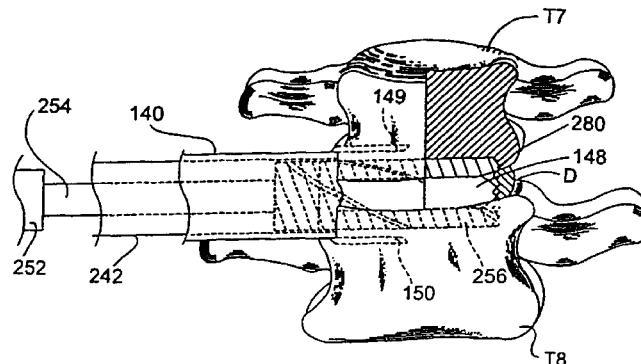
(Continued)

*Primary Examiner* — Michael A. Brown  
(74) *Attorney, Agent, or Firm* — Martin & Ferraro, LLP

(57) **ABSTRACT**

An improved method and instrumentation for performing  
spinal surgery, including discectomy, interbody fusion and  
rigid internal fixation of the spine, from the lateral aspect of  
the spine is disclosed. The surgical procedure can be per-  
formed through a very small incision. The instrumentation of  
the present invention, all of which is inserted from a lateral  
position into the spine in the preferred embodiment, com-  
prises a guide pin, a distractor, an extended outer sleeve, an  
inner sleeve an adjustable drill and an implant driver. The  
distractor of the present invention is driven into the disc for  
spacing apart and realigning the adjacent vertebrae. It further  
functions as an alignment rod for inserting the extended outer  
sleeve which is a hollow tubular member capable of main-  
taining said spacing and alignment of two adjacent vertebrae  
and defines a protected space through which subsequent  
instruments which may include, but are not limited to a drill  
and a diameter reducing inner sleeve may be passed, as well  
as a spinal implant. The remainder of the surgical procedure  
consisting of the removal of spinal material across the disc,  
fusion, and rigid internal stabilization via the implant may all  
be performed via the closed space within the extended outer  
sleeve.

**41 Claims, 14 Drawing Sheets**



# US 8,066,705 B2

U.S. PATENT DOCUMENTS							
2,514,665	A	7/1950	Myller	4,497,320	A	2/1985	Nicholson et al.
2,537,070	A	1/1951	Longfellow	4,501,269	A *	2/1985	Bagby ..... 606/61
2,543,780	A	3/1951	Hipps et al.	4,507,115	A	3/1985	Kambara et al.
2,677,369	A	5/1954	Knowles	RE31,865	E	4/1985	Roux
2,774,350	A	12/1956	Cleveland	4,530,360	A	7/1985	Duarte
2,789,558	A	4/1957	Rush	4,535,374	A	8/1985	Anderson et al.
2,832,343	A	4/1958	Mose	4,535,485	A	8/1985	Ashman et al.
2,842,131	A	7/1958	Smith	4,542,539	A	9/1985	Rowe, Jr. et al.
2,878,809	A	3/1959	Treace	4,545,374	A	10/1985	Jacobson
3,128,768	A	4/1964	Geistauts	4,547,390	A	10/1985	Ashman et al.
3,298,372	A	1/1967	Feinberg	4,549,547	A	10/1985	Brighton et al.
3,426,364	A	2/1969	Lumb	4,552,200	A	11/1985	Sinha et al.
3,486,505	A	12/1969	Morrison	4,553,273	A	11/1985	Wu
3,604,487	A	9/1971	Gilbert	4,554,914	A	11/1985	Kapp et al.
3,605,123	A	9/1971	Hahn	D281,814	S	12/1985	Pratt et al.
3,618,611	A	11/1971	Urban	4,570,623	A	2/1986	Ellison et al.
3,709,219	A	1/1973	Halloran	4,570,624	A	2/1986	Wu
3,719,186	A	3/1973	Merig, Jr.	4,573,448	A	3/1986	Kambin
3,720,959	A	3/1973	Hahn	4,592,346	A	6/1986	Jurgutis
3,750,652	A	8/1973	Sherwin	4,599,086	A	7/1986	Doty
3,848,601	A *	11/1974	Ma et al. .... 606/61	4,600,000	A	7/1986	Edwards
3,855,638	A	12/1974	Pilliar	4,602,638	A	7/1986	Adams
3,867,728	A	2/1975	Stubstad et al.	4,604,995	A	8/1986	Stephens
3,867,932	A *	2/1975	Huene ..... 606/80	4,608,052	A	8/1986	Van Kampen et al.
3,867,950	A	2/1975	Fischell	4,611,581	A	9/1986	Steffee
3,875,595	A *	4/1975	Froning ..... 623/17.12	4,619,264	A	10/1986	Singh
3,888,260	A	6/1975	Fischell	4,628,921	A	12/1986	Rouso
3,892,232	A	7/1975	Neufeld	4,634,720	A	1/1987	Dorman et al.
3,905,047	A	9/1975	Long	4,636,217	A	1/1987	Ogilvie et al.
3,915,151	A	10/1975	Kraus	4,636,526	A	1/1987	Dorman et al.
3,916,907	A *	11/1975	Peterson ..... 606/90	4,645,503	A	2/1987	Lin et al.
3,918,440	A	11/1975	Kraus	4,653,486	A	3/1987	Coker
3,941,127	A	3/1976	Froning	4,653,509	A	3/1987	Oloff et al.
3,942,535	A	3/1976	Schulman	4,655,777	A	4/1987	Dunn
3,948,262	A	4/1976	Zaffaroni	4,661,536	A	4/1987	Dorman et al.
3,952,334	A	4/1976	Bokros et al.	4,664,567	A	5/1987	Edwards
3,987,499	A	10/1976	Scharbach et al.	4,665,920	A	5/1987	Campbell
4,016,651	A	4/1977	Kawahara et al.	4,677,883	A	7/1987	Lee
4,027,392	A	6/1977	Sawyer et al.	4,677,972	A	7/1987	Tornier
D245,259	S	8/1977	Shen	4,693,721	A	9/1987	Ducheyne
4,051,905	A	10/1977	Kleine	4,696,290	A	9/1987	Steffee
4,059,115	A	11/1977	Jumashev et al.	4,698,375	A	10/1987	Dorman et al.
4,070,514	A	1/1978	Entherly et al.	4,710,075	A	12/1987	Davison
4,082,097	A	4/1978	Mann et al.	4,713,004	A	12/1987	Linkow et al.
4,086,701	A	5/1978	Kawahara et al.	4,714,469	A	12/1987	Kenna
4,124,026	A	11/1978	Berner et al.	4,721,103	A	1/1988	Freedland
4,142,517	A	3/1979	Stavropoulos et al.	4,723,540	A *	2/1988	Gilmer, Jr. .... 606/75
4,168,326	A	9/1979	Broemer et al.	4,736,738	A	4/1988	Lipovsek et al.
4,175,555	A	11/1979	Herbert	4,743,256	A	5/1988	Brantigan
4,177,524	A	12/1979	Grell et al.	4,743,260	A	5/1988	Burton
4,181,457	A	1/1980	Holmes	4,759,766	A	7/1988	Buettner-Janz et al.
4,197,850	A	4/1980	Schulman et al.	4,759,769	A	7/1988	Hedman et al.
4,206,516	A	6/1980	Pilliar	4,769,881	A	9/1988	Pedigo et al.
4,222,128	A	9/1980	Tomonaga et al.	4,772,286	A	9/1988	Goble
D257,511	S	11/1980	Zahn	4,781,591	A	11/1988	Allen
4,232,679	A	11/1980	Schulman	4,790,303	A	12/1988	Steffee
4,237,948	A	12/1980	Jones et al.	4,805,602	A	2/1989	Puno et al.
4,258,716	A	3/1981	Sutherland	4,820,305	A	4/1989	Harms et al.
4,259,072	A	3/1981	Hirabayashi et al.	4,830,000	A	5/1989	Shutt
4,262,369	A	4/1981	Roux	4,832,683	A	5/1989	Idemoto et al.
4,271,832	A	6/1981	Evans et al.	4,834,757	A	5/1989	Brantigan
D260,525	S	9/1981	Lassiter	4,848,327	A	7/1989	Perdue
4,289,123	A	9/1981	Dunn	4,851,008	A	7/1989	Johnson
4,293,962	A	10/1981	Fuson	4,863,476	A	9/1989	Shepperd
4,309,777	A	1/1982	Patil	4,863,477	A	9/1989	Monson
4,328,593	A	5/1982	Sutter et al.	4,865,603	A	9/1989	Noiles
4,333,469	A	6/1982	Jeffcoat et al.	4,877,020	A	10/1989	Vich
4,341,206	A	7/1982	Perrett et al.	4,878,915	A *	11/1989	Brantigan ..... 623/17.11
4,349,921	A	9/1982	Kuntz	4,903,882	A	2/1990	Long
4,356,572	A	11/1982	Guillemin et al.	4,904,260	A	2/1990	Ray et al.
4,401,112	A	8/1983	Rezaian	4,904,261	A	2/1990	Dove et al.
4,405,319	A	9/1983	Cosentino	4,911,718	A	3/1990	Lee et al.
4,414,979	A	11/1983	Hirshorn et al.	4,913,144	A	4/1990	Del Medico
4,423,721	A	1/1984	Otte et al.	4,936,848	A	6/1990	Bagby
4,439,152	A	3/1984	Small	4,943,291	A	7/1990	Tanguy
4,450,834	A	5/1984	Fischer	4,955,885	A	9/1990	Meyers
4,484,570	A	11/1984	Sutter et al.	4,955,908	A	9/1990	Frey et al.
4,492,226	A	1/1985	Belykh et al.	4,957,495	A	9/1990	Kluger
				4,960,420	A	10/1990	Goble et al.

4,961,740	A	10/1990	Ray et al.	DE	36 08 163	A1	9/1987
4,968,316	A	11/1990	Hergentroeder	DE	41 04 359	A1	8/1992
4,969,888	A	11/1990	Scholten et al.	EP	0 077 159		4/1983
4,987,904	A	1/1991	Wilson	EP	0 162 005		11/1985
5,015,247	A	5/1991	Michelson	EP	0 179 695		4/1986
5,015,255	A	5/1991	Kuslich	EP	0 260 044		3/1988
5,026,373	A	6/1991	Ray et al.	EP	0303241	A2	2/1989
5,030,236	A	7/1991	Dean	EP	0 307 241		3/1989
5,047,036	A	9/1991	Koutrouvelis	EP	0499465	A1	8/1992
5,047,055	A	9/1991	Bao et al.	EP	0551187	A1	7/1993
5,055,104	A	10/1991	Ray	EP	0577179	A1	1/1994
5,059,193	A	10/1991	Kuslich	EP	0599419	A2	6/1994
5,062,845	A	11/1991	Kuslich et al.	EP	0627204	A2	12/1994
5,071,437	A	12/1991	Steffee	EP	0637440	B1	10/1997
5,084,050	A	1/1992	Draenert	ES	283078		5/1985
5,102,414	A	4/1992	Kirsch	FR	2 295 729		7/1976
5,105,819	A	4/1992	Wollschlager et al.	FR	2 581 336		11/1986
5,108,422	A	4/1992	Green et al.	FR	2 703 580		10/1994
5,112,336	A	5/1992	Krevolin et al.	GB	1291470		10/1972
5,116,304	A	5/1992	Cadwell	GB	1492990		11/1977
5,122,130	A	6/1992	Keller	GB	1531487		11/1978
5,123,926	A	6/1992	Pisharodi	GB	2076657	A	12/1981
5,131,382	A*	7/1992	Meyer	GB	2082754	A	3/1982
5,171,278	A	12/1992	Pisharodi	GB	2126094	A	3/1984
5,171,279	A	12/1992	Mathews	GB	2164277	A	3/1986
5,183,471	A	2/1993	Wilk	JP	57-29348		2/1982
5,192,327	A	3/1993	Brantigan	JP	60-31706		2/1985
5,195,541	A	3/1993	Obenchain	JP	60-43984		3/1985
5,217,479	A	6/1993	Shuler	JP	61-122859		6/1986
5,242,443	A	9/1993	Kambin	JP	62-155846		7/1987
5,246,458	A	9/1993	Graham	JP	63-300758	A	12/1988
5,258,031	A	11/1993	Salib et al.	JP	4-88929	U	8/1992
5,263,953	A	11/1993	Bagby	SE	106 101		7/1939
5,269,772	A	12/1993	Wilk	SU	1107854		8/1984
5,279,292	A	1/1994	Baumann et al.	SU	1124960		11/1984
5,292,252	A	3/1994	Nickerson et al.	SU	1217374		3/1986
5,306,307	A	4/1994	Senter et al.	SU	1222254		4/1986
5,306,309	A	4/1994	Wagner et al.	SU	1650114	A	5/1991
5,314,427	A	5/1994	Goble et al.	WO	84/01298		4/1984
5,314,432	A	5/1994	Paul	WO	WO 90/00037		1/1990
5,324,295	A	6/1994	Shapiro	WO	91/06266		5/1991
5,352,229	A	10/1994	Goble et al.	WO	92/14423		9/1992
5,360,430	A	11/1994	Lin	WO	WO 92/14423		9/1992
5,364,399	A	11/1994	Lowery et al.	WO	93/01771		2/1993
5,370,662	A	12/1994	Stone et al.	WO	WO 94/28824		12/1994
5,370,697	A	12/1994	Baumgartner	WO	95/08964		4/1995
5,393,036	A	2/1995	Sheridan	WO	96/22747		8/1996
RE34,871	E	3/1995	McGuire et al.				
5,395,317	A	3/1995	Kambin				
5,395,372	A	3/1995	Holt et al.				
5,396,880	A	3/1995	Kagan et al.				
5,397,364	A	3/1995	Kozak et al.				
5,425,772	A	6/1995	Brantigan				
5,435,723	A	7/1995	O'Brien				
5,441,527	A	8/1995	Erickson et al.				
5,443,514	A	8/1995	Steffee				
5,458,638	A	10/1995	Kuslich et al.				
5,480,440	A	1/1996	Kambin				
5,484,437	A	1/1996	Michelson				
5,489,307	A	2/1996	Kuslich et al.				
5,489,308	A	2/1996	Kuslich et al.				
D368,777	S	4/1996	Goble et al.				
5,571,109	A	11/1996	Bertagnoli				
5,593,409	A	1/1997	Michelson				
5,609,636	A	3/1997	Kohrs et al.				
5,658,337	A	8/1997	Kohrs et al.				
5,683,463	A	11/1997	Godefroy et al.				
5,766,252	A	6/1998	Henry et al.				
5,772,661	A	6/1998	Michelson				
D397,439	S	8/1998	Koros et al.				
5,800,547	A	9/1998	Schafer et al.				
5,885,299	A	3/1999	Winslow et al.				
6,224,595	B1	5/2001	Michelson				

OTHER PUBLICATIONS

Crock, Henry V.; Practice of Spinal Surgery; Springer-Verlag/Wien, New York (1983); cover page and pp. 64-92.

Cloward, Ralph B.; Surgical Techniques for Lumbar Disc Lesions; Codman; Signature Series 3; 1982; 31 pages.

Cloward, Ralph B.; Ruptured Cervical Intervertebral Discs: Removal of Disc & Osteophytes & Anterior Cervical Interbody Fusion (A.C. I.F.); Codman; Signature Series 4; 1974; 22 pages.

Cloward, Ralph B.; Recent Advances in Surgery of the Cervical Spine; 2 cover pages and pp. 285-293; German Society for Neurosurgery; vol. 2 Cervical Spine Operations; Excerpta Medica; 1971.

Hutter, Charles George; Spina Stenosis and Posterior Lumbar Interbody Fusion; 2 cover pages and pp. 103-114; Clinical Orthopaedics and Related Research; No. 193; The Association of Bone and Joint Surgeons; 1985.

Lin, Paul M. (editor); Posterior Lumbar Interbody Fusion; 2 cover pages and pp. 114-122; Charles C. Thomas; Springfield, Illinois; 1982.

Lin, Paul M., et al. (editors); Lumbar Interbody Fusion: Principles and Techniques in Spine Surgery; Techniques and Complications; 5 cover pages and pp. 81, 98, 120, 146, 173, 180-184, 204, 224, 225, and 231; Aspen Publishers, Inc.; 1989.

Tan, S.B., et al.; A Modified Technique of Anterior Lumbar Fusion with Femoral Cortical Allograft; 2 cover pages and pp. 83-93; The Journal of Orthopaedic Surgical Techniques, vol. 5, No. 3, 1990.

Muller, M.E., et al.; Manual of Internal Fixation: Techniques Recommended by the AO Group; Second Edition, Expanded and Revised; cover page and pp. V, VI, 3-20, 27-41, 53-58, 71-78, 94, 311, and 320; Springer-Verlag; 1979.

FOREIGN PATENT DOCUMENTS

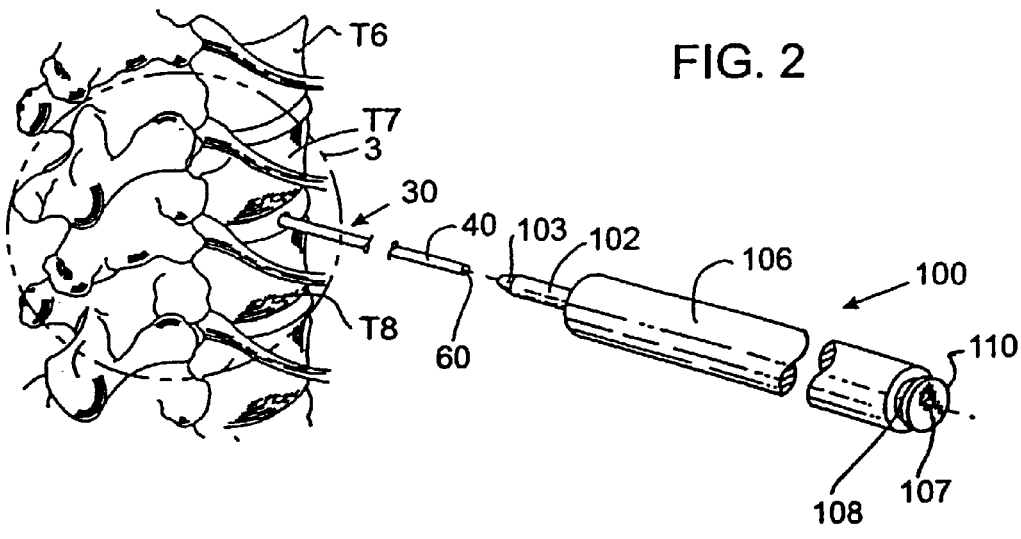
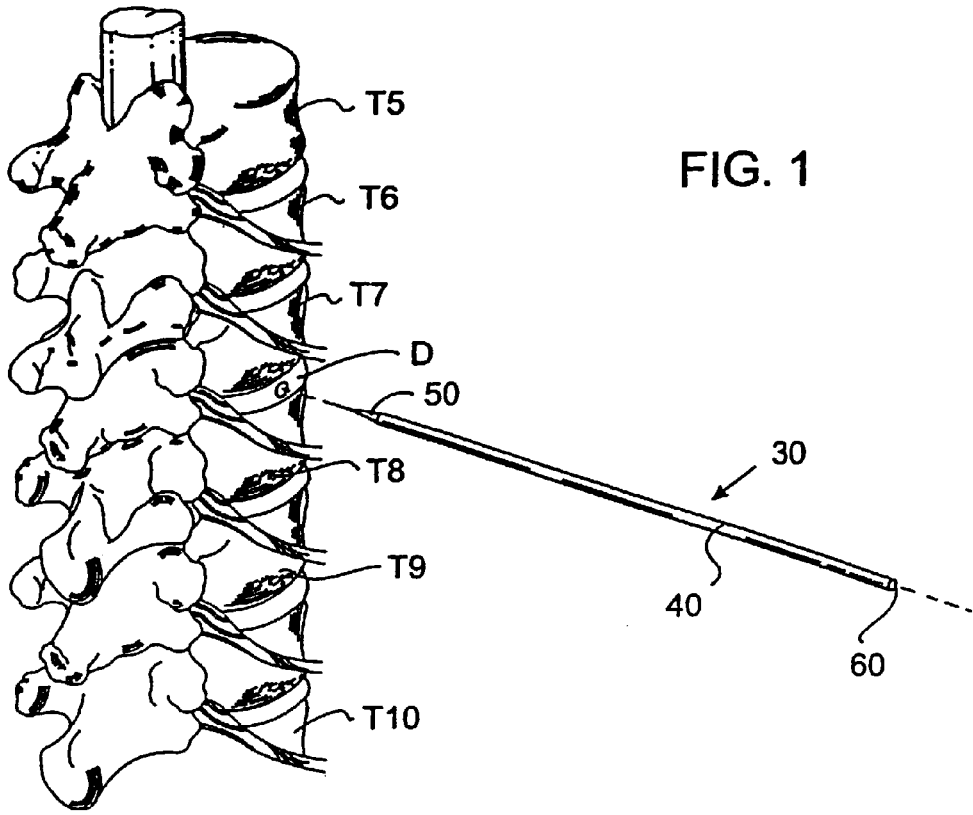
DE	24 46 039	4/1975
DE	3101333 A1	12/1981
DE	3132520 A1	6/1982
DE	3505567 A1	6/1986

- Hierholzer, G., et al.; Manual on the AO/ASIF Tubular External Fixator; 2 cover pages and pp. 85-91; Springer-Verlag; 1985.
- Heim, Urs, et al.; Small Fragment Set Manual: Technique Recommended by the ASIF-Group; 2 cover pages and pp. 5-7, 10, 20, 21, and 30; Springer-Verlag; 1974.
- Harmon, Paul H.; Anterior Excision and Vertebral Body Fusion Operation for Intervertebral Disk Syndromes of the Lower Lumbar Spine: Three- to Five-Year Results in 244 Cases; pp. 107-127; Clinical Orthopaedics and Related Research, No. 26, J.B. Lippincott Company, 1963.
- Harmon, Paul H.; A Simplified Surgical Technic for Anterior Lumbar Discectomy and Fusion; Avoidance of Complications; Anatomy of the Retroperitoneal Veins; pp. 130-144; Clinical Orthopaedics and Related Research, No. 37, J.B. Lippincott Company, 1964.
- Bullough, P., et al.; Atlas of Spinal Diseases; Figure 5.7; J.B. Lippincott Company; 1988; 3 pages.
- Canale, S. Terry; Campbell's Operative Orthopaedics; vol. 3, 9th Edition; 2 cover pages and pp. 2191, 2216, and 2459; Mosby, 1998.
- Baulot et al.; "Complementary Anterior Spondylodesis by Thoracoscopy. Technical note regarding an observation, Technical Designs and Experimental Research;" 90(5): 347-351 (1994).
- Bolesta and Bohlman; Chapter 68: "Surgical Management of Injuries to the Thoracic and Lumbosacral Spine;" in "Surgery of the Spine, A Combined Orthopaedic and Neurosurgical Approach;" Ed. Findlay and Owen, pp. 1118-1129 and cover page; Oxford, Blackwell Scientific Publications (1992).
- Larson et al.; "Lateral Extracavitary Approach to Traumatic Lesions of the Thoracic and Lumbar Spine;" J. Neurosurg.; 45:628-637 (1976).
- McAfee, Paul C., et al.; Minimally Invasive Anterior Retroperitoneal Approach to the Lumbar Spine, Emphasis on the Lateral BAK; SPINE, vol. 23, No. 13, pp. 1476-1484 (1998).
- Maiman et al.; "Lateral Extracavitary Approach to Spine for Thoracic Disc Herniation: Report of 23 Cases;" Neurosurg.: 14(2):178-182 (1984).
- Rosenthal et al.; "Removal of a Protruded Thoracic Disc Using Microsurgical Endoscopy. A New Technique." Spine, 19(9):1087-1091 (1994).
- Sturm et al.; "Far Lateral Lumbar Disc Herniation Treated with an Anteriorlateral Retroperitoneal Approach;" Spine, 17(3):363-365 (1992).
- Friedman, William; "Percutaneous Discectomy: An Alternative to Chemonucleolysis?" Neurosurgery, 13(5); cover page, contents page, and pp. 542-547 (1983).
- Hoppenfeld, Stanley; "Percutaneous Removal of Herniated Lumbar Discs;" Clinical Orthopaedics and Related Research, No. 238, 2 cover pages and pp. 92-97 (1989).
- Leu et al.; "Percutaneous Fusion of the Lumbar Spine: A Promising Technique;" Spine, vol. 6, No. 3, 2 cover pages and pp. 593-604 (1992).
- Schreiber et al.; "Percutaneous Nucleotomy: Technique with Discoscopy;" Orthopedics, vol. 14, No. 4, cover page, contents page, and pp. 439-444 (1991).
- Verbiest, H.; Chapter 1; "History and Development of Spinal Surgery;" in "Surgery of the Spine, a Combined Orthopaedic and Neurosurgical Approach;" Ed. Findlay and Owen, 2 cover pages and pp. 3-15; Oxford, Blackwell Scientific Publications (1992).
- Wiltberger, B.R.; "Dowel Intervertebral Fusion as Used in Lumbar Disc Surgery;" The Journal of Bone and Joint Surgery, vol. 39A, cover page and pp. 234-292, and 331; 1957.
- Steffee, Arthur D., et al.; Presentation titled "Artificial Discs and Joints" dated Oct. 17-22, 1993; showing x-rays of surgery using the AcroFlex Disc dated Nov. 2, 1988; 100 pages.
- X-Rays showing surgeries performed using the AcroFlex Disc; Sep. 7, 1989; 7 pages.
- Pictures showing surgery performed using the Brantigan I/F Cage; undated; 11 pages.
- Pictures of Brantigan I/F Cage, undated, 7 pages.
- Brantigan, John W., et al.; presentation titled "Interbody Lumbar Fusion Using a Carbon Fiber Cage Implant vs. Allograft Bone—an investigational study in the Spanish goat" undated; 7 pages.
- Pictures showing surgery performed using the Brantigan Anterior I/F Cage; undated; 9 pages.
- X-Rays and pictures showing surgeries performed using the Brantigan Anterior I/F Cage; Nov. 12, 1992; 15 pages.
- X-Rays showing surgeries performed using the Brantigan Anterior I/F Cage; May 17, 1991; 24 pages.
- X-Rays and pictures showing surgeries performed on sheep using the Brantigan Anterior I/F Cage; dated Apr. 30, 1990 through Jul. 4, 1992; 477 pages.
- X-Rays and picture showing surgery using the BAK Cage; undated; 3 pages.
- Drawings and pictures showing surgery on sheep using the BAK Cage; undated; 6 pages.
- Medtronic Sofamor Danek USA, Inc. et al., v. Nuvasive, Inc.*; Defendant Nuvasive, Inc.'s First Amended Answer to Plaintiffs' First Amended Complaint for Patent Infringement and Third Amended Counterclaims; 24 pages; dated Sep. 4, 2009.
- Medtronic Sofamor Danek USA, Inc. et al., v. Nuvasive, Inc.*; Joint Claim Construction Chart, Worksheet, and Hearing Statement Pursuant to Patent L.R. 4.2 for U.S. Patent No. 5,772,661, U.S. Patent No. 5,860,973, and U.S. Patent No. 6,945,933; 5 pages; dated May 27, 2009; Exhibit A, 22 pages; Exhibit B, 24 pages Exhibit D, 14 pages; Exhibit E, 21 pages.
- Medtronic Sofamor Danek USA, Inc. et al., v. Nuvasive, Inc.*; Medtronic's Third Supplemental Disclosure of Asserted Claims and Infringement Contentions; 5 pages; dated Nov. 6, 2009; Attachment 16, 2 pages.
- Medtronic Sofamor Danek USA, Inc. et al., v. Nuvasive, Inc.*; Joint Claim Construction Chart, Worksheet, and Hearing Statement Pursuant to Patent L.R. 4.2 for U.S. Patent Nos. 6,592,586; 5,860,973; 6,945,933; 7,582,058; and 7,470,236; 4 pages; dated Nov. 23, 2009; Exhibit B, 21 pages; Exhibit G, 17 pages.
- Medtronic Sofamor Danek USA, Inc. et al., v. Nuvasive, Inc.*; Medtronic Sofamor Danek USA, Inc. et al.'s Opening Claim Construction Brief; 70 pages; dated Jan. 11, 2010.
- Medtronic Sofamor Danek USA, Inc. et al., v. Nuvasive, Inc.*; Medtronic's Fourth Supplemental Disclosure of Asserted Claims and Infringement Contentions; 8 pages; dated Feb. 12, 2010.
- Medtronic Sofamor Danek USA, Inc. et al., v. Nuvasive, Inc.*; *Medtronic Sofamor Danek USA, Inc., et al.'s Preliminary Claim Constructions Pursuant to Patent L.R. 4.1*; 9 pages; dated Apr. 24, 2009.
- Medtronic Sofamor Danek USA, Inc. et al., v. Nuvasive, Inc.*; *Medtronic Sofamor Danek Usa, Inc., et al.'s Preliminary Claim Constructions Regarding U.S. Patent Nos. 6,592,586; 5,860,973; 6,945,933; 7,582,058; 7,207,949; and 7,470,236 Pursuant to Patent L.R. 4.1*; 11 pages; dated Sep. 30, 2009.
- Medtronic Sofamor Danek USA, Inc. et al., v. Nuvasive, Inc.*; *Medtronic Sofamor Danek USA, Inc., et al.'s Responsive Claim Construction Brief*; 37 pages; dated Jan. 20, 2010.
- Medtronic Sofamor Danek USA, Inc. et al., v. Nuvasive, Inc.*; Declaration of Esha Bandyopadhyay in Support of Medtronic's Responsive Claim Construction Brief; 4 pages; dated Jan. 20, 2010; Exhibit 11, 4 pages; Exhibit 12, 3 pages; Exhibit 13, 2 pages; Exhibit 14, 3 pages; Exhibit 16, 3 pages; Exhibit 17, 2 pages.
- Medtronic Sofamor Danek USA, Inc. et al., v. Nuvasive, Inc.*; *Medtronic Sofamor Danek USA, Inc., et al.'s Responsive Claim Constructions Regarding U.S. Patent Nos. 6,592,586; 5,860,973; 6,945,933; 7,582,058; 7,207,949; and 7,470,236 Pursuant to Patent L.R. 4.1*; 12 pages; dated Oct. 9, 2009.
- Medtronic Sofamor Danek USA, Inc. et al., v. Nuvasive, Inc.*; *Nuvasive, Inc.'s Opening Claim Construction Brief Regarding U.S. Patent Nos. 7,470,236; 7,582,058; 5,860,973; 6,592,586; and 6,945,933*; 70 pages; dated Jan. 11, 2010.
- Medtronic Sofamor Danek USA, Inc. et al., v. Nuvasive, Inc.*; *Nuvasive, Inc.'s Preliminary Claim Constructions and Identification of Extrinsic Evidence Pursuant to Patent L.R. 4.1 for U.S. Patent No. 5,772,661, U.S. Patent No. 5,860,973, and U.S. Patent No. 6,945,933*; 24 pages; dated Apr. 24, 2009.
- Medtronic Sofamor Danek USA, Inc. et al., v. Nuvasive, Inc.*; *Nuvasive, Inc.'s Preliminary Claim Constructions and Identification of Extrinsic Evidence Pursuant to Patent L.R. 4.1 for U.S. Patent No. 6,592,586, U.S. Patent No. 5,860,973, U.S. Patent No. 6,945,933; U.S. Patent No. 7,207,949, U.S. Patent No. 7,470,236, and U.S. Patent No. 7,582,058*; 7 pages; dated Sep. 30, 2009.

- Medtronic Sofamor Danek USA, Inc. et al., v. Nuvasive, Inc.; Nuvasive, Inc.'s Responsive Claim Constructions Pursuant to Patent L.R. 4.1*; 15 pages; dated May 8, 2009.
- Medtronic Sofamor Danek USA, Inc. et al., v. Nuvasive, Inc.; Nuvasive, Inc.'s Responsive Claim Constructions and Identification of Extrinsic Evidence Pursuant to Patent L.R. 4.1 for U.S. Patent No. 6,592,586, U.S. Patent No. 5,860,973, U.S. Patent No. 6,945,933; U.S. Patent No. 7,207,949, U.S. Patent No. 7,470,236, and U.S. Patent No. 7,582,058*; 18 pages; dated Oct. 9, 2009.
- Medtronic Sofamor Danek USA, Inc. et al., v. NuVasive, Inc.; NuVasive's Preliminary Identification of Prior Art*; 12 pages; dated Dec. 24, 2008.
- Medtronic Sofamor Danek USA, Inc. et al., v. NuVasive, Inc.; NuVasive Inc.'s Supplemental Response to Plaintiffs' Interrogatory No. 6*; 26 pages; dated Apr. 17, 2009.
- Medtronic Sofamor Danek USA, Inc. et al., v. Nuvasive, Inc.; Order Construing Disputed Claim Terms of United States Patent Nos. 5,860,973; 6,945,933; 6,592,586; and 7,470,236*; pp. 1-22; Case No. 08cv1512-MMA(AJB); Apr. 1, 2010.
- Medtronic Sofamor Danek USA, Inc., et al. v. Nuvasive, Inc.; Plaintiff Medtronic Sofamor Danek USA, Inc., et al.'s Supplemental Objections and Responses to NuVasive, Inc.'s Second Set of Interrogatories (No. 16)*; 13 pages; dated May 10, 2010.
- Medtronic Sofamor Danek, Inc., v. Nuvasive, Inc.: Nuvasive, Inc.'s Corrected Final Invalidity Contentions Regarding U.S. Patent Nos. 5,860,973; 6,592,586; and 6,945,933*; 17 pages; dated Jun. 14, 2010; Appendix B.1, 63 pages; Appendix B.2, 61 pages; Appendix B.3, 55 pages; Appendix 6.4, 61 pages; Appendix B.5, 51 pages; Appendix B.6, 73 pages; Appendix B.7, 61 pages; Appendix B.8, 53 pages; Appendix B.9, 43 pages; Appendix 13.10, 60 pages; Amended Appendix B.11, 78 pages; Appendix B.14, 27 pages; Appendix B.15, 50 pages; Appendix B.16, 35 pages; Appendix B.17, 12 pages; Appendix B.18, 14 pages; Appendix B.19, 13 pages; Appendix B.20, 12 pages; Appendix B.21, 13 pages; Appendix B.22, 13 pages; Appendix B.23, 13 pages.
- Medtronic Sofamor Danek, Inc., v. Nuvasive, Inc.*; Expert Report of Dr. Barton L. Sachs, M.D., M.B.A., CPE Regarding Infringement of U.S. Patent Nos. 5,860,973 and 6,945,933 (redacted); 194 pages; Dec. 3, 2010.
- Medtronic Sofamor Danek, Inc., v. Nuvasive, Inc.*; Expert Rebuttal Report of Dr. Barton L. Sachs, M.D., M.B.A., CPE Regarding Validity of U.S. Patent Nos. 5,860,973 and 6,945,933; 144 pages; Jan. 20, 2011.
- Warsaw Orthopedic, Inc., v. Nuvasive, Inc.*; Medtronic's Opposition to Nuvasive Inc.'s Motions for Summary Judgment (Redacted Version); 30 pages; Mar. 9, 2011.
- Warsaw Orthopedic, Inc., v. Nuvasive, Inc.*; Medtronic's Responses to Nuvasive's Statement of Undisputed Facts and Medtronic's Statement of Additional Material Facts (Redacted Version); 77 pages; Mar. 9, 2011.
- Warsaw Orthopedic, Inc., v. Nuvasive, Inc.*; Nuvasive's Opposition to Warsaw's Motions for Summary Judgment (Redacted Version); 31 pages; Mar. 9, 2011.
- Warsaw Orthopedic, Inc., v. Nuvasive, Inc.*; Nuvasive's Response to Warsaw's Statement of Undisputed Material Facts (Redacted Version); 89 pages; Mar. 10, 2011.
- Warsaw Orthopedic, Inc., v. Nuvasive, Inc.*; Medtronic's Responses to Nuvasive's Statement of Additional Material Facts (Redacted Version); 39 pages; Mar. 16, 2011.
- Warsaw Orthopedic, Inc., v. Nuvasive, Inc.*; Nuvasive's Reply in Support of Motions for Summary Judgment (Redacted Version); 13 pages; Mar. 16, 2011.
- Warsaw Orthopedic, Inc., v. Nuvasive, Inc.*; Nuvasive's Reply to Warsaw's Statement of Additional Material Facts (Redacted Version); 67 pages; Mar. 16, 2011.
- Warsaw Orthopedic, Inc., v. Nuvasive, Inc.*; Reply Memorandum in Support of Medtronic's Motion for Summary Judgment (Redacted Version); 14 pages; Mar. 16, 2011.
- Medtronic Sofamor Danek, Inc., v. Nuvasive, Inc.*; Notice and Order Providing Tentative Rulings Re: Parties' Cross Motions for Summary Judgment; 1 page; Mar. 21, 2011.
- Brantigan, John W., et al.; "Interbody Lumbar Fusion Using a Carbon Fiber Cage Implant Versus Allograft Bone;" *SPINE*, vol. 19, No. 13; 1994; pp. 1436-1444.
- Regan, John J., et al.; "Endoscopic Thoracic Fusion Cage;" *Atlas of Endoscopic Spine Surgery*; 1995; cover page and pp. 350-354.
- Fedder, Ira L., et al.; "Video-Assisted Spinal Surgery: Laboratory Protocol;" *General Principles of Thoracoscopy & Laparoscopy*; 1995; pp. 18-26.
- Cunningham, Bryan W., et al.; "Video-Assisted Thoracoscopic Surgery Versus Open Thoracotomy for Anterior Thoracic Spinal Fusion;" *SPINE*, vol. 23, No. 12; Jun. 15, 1998; pp. 1333-1340.
- Mooney, V., et al.; "Is Hydroxyapatite an Effective Bone Graft Substitute When New Bone Formation is Not Physically Stressed?" *Orthopaedic Transactions*, vol. 18, No. 3; 1994; cover page and pp. 848-849.
- Mooney, Vert, et al.; "Comparison of Hydroxyapatite Granules to Autogenous Bone Graft in Fusion Cages in a Goat Model;" *Surg. Neural.*, vol. 49; 1998; pp. 628-634.
- Danek Medical, Inc.; "Orion Anterior Cervical Plate System Brochure;" 1994; 2 pages.
- Crock, H.V.; "Anterior Lumbar Interbody Fusion;" *Clinical Orthopaedics and Related Research*; 1982; 2 cover pages and pp. 157-163.
- Crock, H.V.; *A Short Practice of Spinal Surgery*; Second, revised edition; Springer-Verlag/Wien, New York; 1993; 352 pages.
- Kemp, H.B.S., et al.; "Anterior Fusion of the Spine for Infective Lesions in Adults;" *The Journal of Bone and Joint Surgery*; vol. 55B, No. 4; Nov. 1973; pp. 715-734.
- Acromed Acro-flex device; as advertised in *Spine*, vol. 18, No. 13, Oct. 1, 1993; 3 pages.
- Acromed Acro-flex device; as advertised in *Spine*, vol. 19, No. 2, Jan. 1994; 4 pages.
- Acromed Acro-flex device; as advertised in *Spine*, vol. 19, No. 3, Feb. 1994; 4 pages.
- Berry et al.; "A Morphometric Study of Human Lumbar and Selected Thoracic Vertebrae;" *Study of Selected Vertebrae*; pp. 362-367; (1986).
- Edeland, H.G.; "Suggestions for a Total Elasto-Dynamic Intervertebral Disc Prosthesis;" *Biomaterials, Medical Devices, and Artificial Organs*; 9(1), cover page and pp. 65-73 (1981).
- Edeland, H.G.; "Some Additional Suggestions or an Intervertebral Disc Prosthesis;" *Journal of Biomedical Engineering*; vol. 7; pp. 57-62; Jan. 1985.
- Grant, Pamela J. et al.; "Mapping the Structural Properties of the Lumbosacral Vertebral Endplates;" *SPINE*; vol. 26; No. 8; pp. 889-896; 2001.
- Hall, Lance T. et al.; "Morphology of the Lumbar Vertebral Endplates;" *SPINE*; vol. 23; No. 14; pp. 1517- 1523; 1998.
- Panjabi, Manohar M., et al.; "Human Lumbar Vertebrae Quantitative Three-Dimensional Anatomy;" *Spine*; vol. 17, No. 3; 1992; pp. 299-306.
- Adams, et al.; *Outline of Orthopaedics, Eleventh Edition*; Trunk and Spine, p. 194.
- Herkowitz, et al.; *Principles of Bone Fusion; The Spine, Third Edition*; Chapter 44, p. 1739.
- Muschler, et al.; *The Biology of Spinal Fusion; Spinal Fusion Science and Technique, Cotler and Cotler*, pp. 9-13.
- Zindrick, et al.; *Lumbar Spine Fusion: Different Types and Indications; The Lumbar Spine, vol. 1, Second Edition*, pp. 588-593 (1996).
- Gillingham, F.J., et al.; *Automatic Patient Monitoring in the Ward*; *Brit. J. Surg.*, vol. 53, No. 10, pp. 864-866 (Oct. 1966).
- Maloney, A.F.J., et al.; *Clinical and Pathological Observations in Fatal Head Injuries*, *Brit. J. Surg.*, vol. 56, No. 1, pp. 23-31 (Jan. 1969).
- Harris, P., et al.; *Spinal Deformity After Spinal Cord Injury; Paraplegia*, vol. 6, No. 4, pp. 232-238 (Feb. 1969).
- Gillingham, F.J., et al.; *Head injuries; Proceedings of the 18<sup>th</sup> World Congress of the International College of Surgeons, Rome*, pp. 68-71 (May 28-31, 1972).
- Whatmore, W. J.; *Sincipital Encephalomeningoceles*; *Brit. J. Surg.*, vol. 60, No. 4, pp. 261-270 (Apr. 1973).
- Whatmore, W. J.; *Meningioma Following Trauma*; *Brit. J. Surg.*, vol. 60, No. 6, pp. 496-498 (Jun. 1973).

- Bagby, George W.; Wobbler Syndrome in Horses (the Ataxic Horse); Spokane County Medical Society Bulletin; Spring 1979.
- Rathke, F.W., et al.; Surgery of the Spine; Atlas of Orthopaedic Operations, vol. 1, p. 137, W.B. Saunders Co., Philadelphia (1979).
- Albrektsson, T., et al.; Osseointegrated Titanium Implants; Acta Orthop. Scand.; vol. 52:155-170 (1981).
- Raveh, J., et al.; Neue Rekonstruktionsmöglichkeiten des Unterkiefers bei knöchernen Defekten nach Tumoresektionen; Der Chirurg vol. 53:459-467 (1982).
- Crock, H. V.; Practice of Spinal Surgery; Springer-Verlag/Wien, New York (1983).
- DeBowes, R.M., et al.; Study of Bovine . . . Steel Baskets; Transactions of the 29th Annual Meeting; Orthopaedic Research Society, vol. 8, p. 407, Mar. 8-10, 1983.
- O'Neill, P., et al.; Spinal Meningoceles in Association with Neurofibromatosis; Neurosurgery, vol. 13, No. 1, pp. 82-84 (Jul. 1983).
- Brandt, L., et al.; A Dowel Inserter for Anterior Cervical Interbody Fusion; J. Neurosurg. 61:793-794 (Oct. 1984).
- Whatmore, W.J., et al.; The Coventry Cervical Spreader and Dowel Inserter; ACTA Neurochirurgica, vol. 70, FASC. 1-2 (1984).
- Raveh, J., et al.; Use of the Titanium-coated Hollow Screw and Reconstruction Plate System in Bridging of Lower Jaw Defects; J. Oral Maxillofac Surg. 42:281-294 (1984).
- Otero-Vich, Jose M.; Anterior Cervical Interbody Fusion with Threaded Cylindrical Bone; J. Neurosurg 63:750-753 (Nov. 1985).
- Morscher, E., et al.; Die vordere Verplattung der Halswirbelsäule mit dem Hohlschrauben-Plattensystem aus Titanium, *Der Chirurg*, vol. 57, pp. 702-707 (1986) with English Translation.
- Bagby, G.W.; Basket Implant Facilitates Spinal Fusion; Orthopedics Today, vol. 7, No. 10, (Oct. 1987).
- Butts, M. K., et al.; Biomechanical Analysis of a New Method for Spinal Interbody Fixation; 1987 Symposium, American Society of Mechanical Engineers, "Advances in Bioengineering", Boston, MA (Dec. 13-18, 1987).
- Crawley et al.; A Modified Cloward's Technique for Arthrodesis of the Normal Metacarpophalangeal Joint in the Horse; Veterinary Surgery, vol. 17, No. 3, pp. 117-127 (1988).
- Raveh, J., et al.; Surgical Procedures for Reconstruction of the Lower Jaw Using the Titanium-Coated Hollow-Screw Reconstruction Plate System: Bridging of Defects; Otolaryngologic Clinics of North America; vol. 20, No. 3 (Aug. 1987).
- Whatmore, W. J.; Proceedings of the Society of British Neurological Surgeons; Journal of Neurology, Neurosurgery, and Psychiatry, 50:1093-1100 (1987).
- Goldthwaite, N., et al.; Toward Percutaneous Spine Fusion; Ch. 45; Lumbar Spine Surgery; C.V. Mosby Company, pp. 512-522 (1987).
- Bagby, G.W.; Arthrodesis by the Distraction-Compression Method Using a Stainless Steel Implant; Orthopedics, vol. II, No. 6, pp. 931-934 (Jun. 1987).
- Itoman, M., et al.; Banked Bone Grafting for Bone Defect Repair—Clinical Evaluation of Bone Union and Graft Incorporation; J. Jpn. Orthop. Assoc. 62:461-469 (1988).
- Kane, W.J.; Direct Current Electrical Bone Growth Stimulation for Spinal Fusion; Spine, vol. 13, No. 3, pp. 363-365 (Mar. 1988).
- The SpF-T Spinal Fusion Stimulator: An Efficacious Adjunct that Meets the Diverse Needs of Spine Patients; EBI Medical Systems; (Aug. 1991).
- Schmitz et al.; Performance of Alloplastic Materials and Design of an Artificial Disc; The Artificial Disc, Brock, Mayer, Weigel; pp. 23-34 (1991).
- The Use of Direct Current for Electrically Induced Osteogenesis; The Positive Effect of an Electronegative charge on Bone Growth; EBI Medical Systems (Feb. 1993).
- Mylonas, C., et al.; Anterior Cervical Decompression and Fusion Using the Coventry Cervical Spreader and Dowel Inserter; British Journal of Neurosurgery, 7:545-549 (1993).
- Fusion of the Lumbar Spine; Anterior Monosegmental Fusion L5-S1, Atlas of Spinal Operations, Thieme, pp. 270-274 (1993).
- Spine Basics, Danek Group, Inc., Glossary (1993).
- Lumbar Spine Surgery, Techniques & Complications; History of Lumbar Spine Surgery (1994) pp. 11-15; 27; 30; 35-45; 265-268.

\* cited by examiner



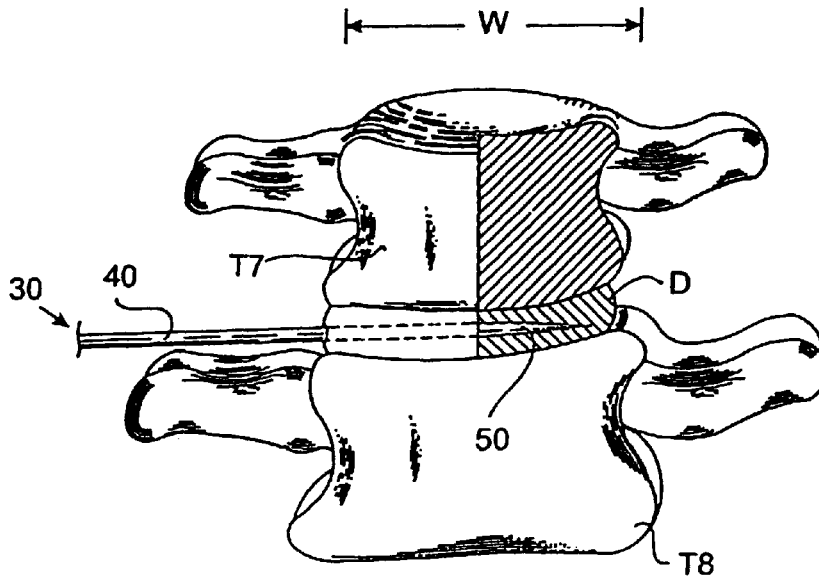


FIG. 3

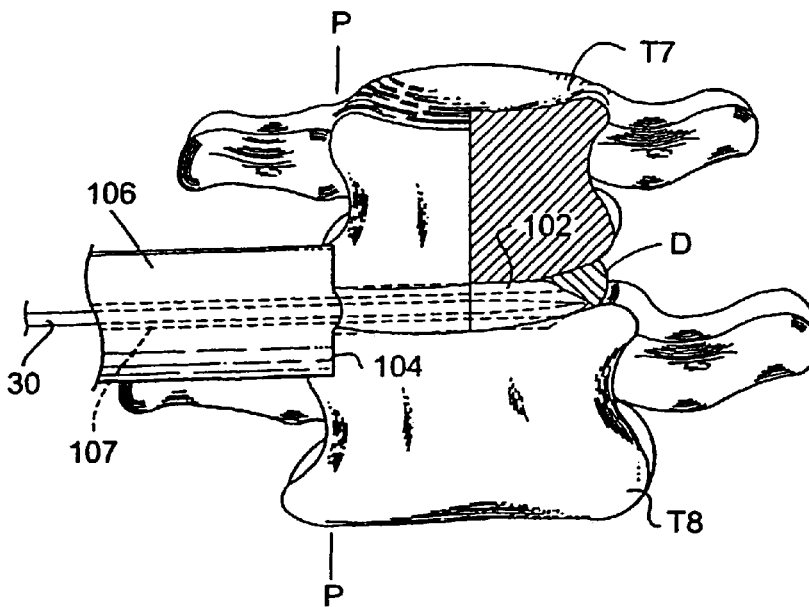


FIG. 4



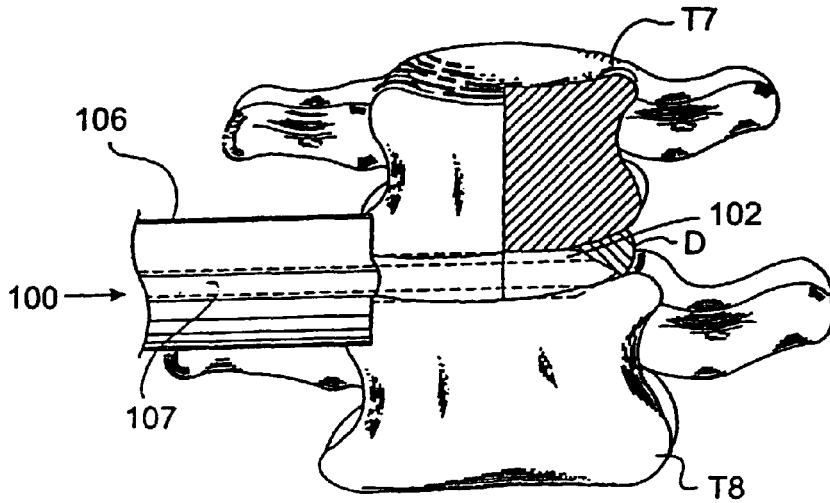


FIG. 5

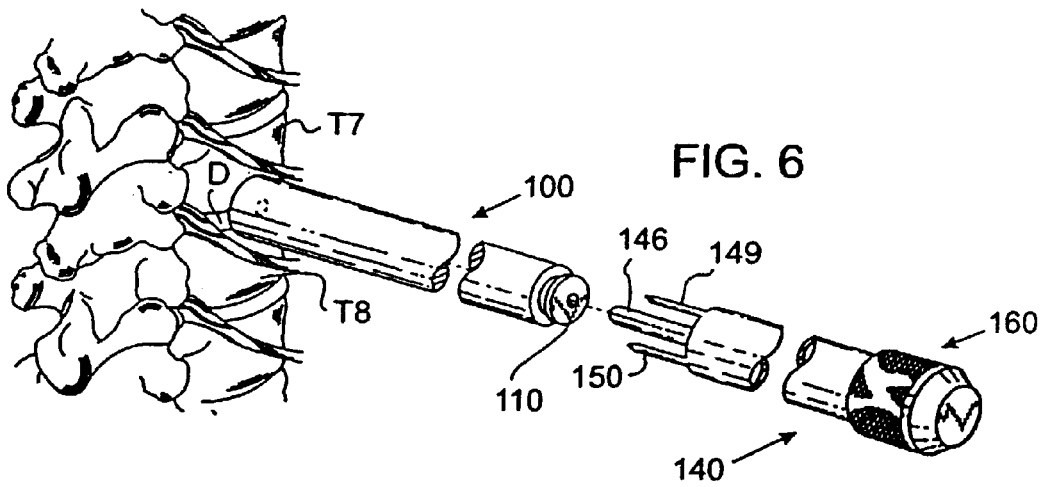
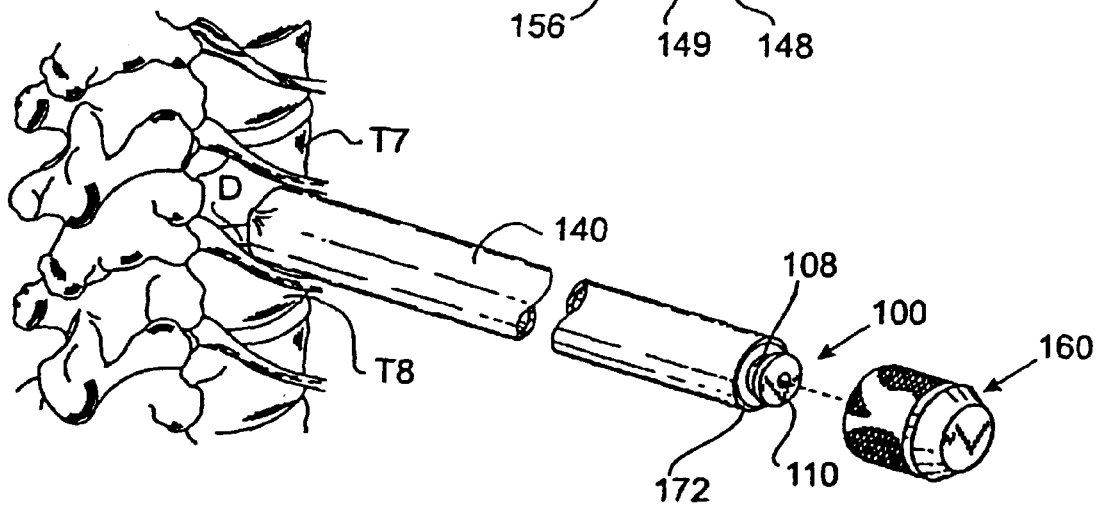
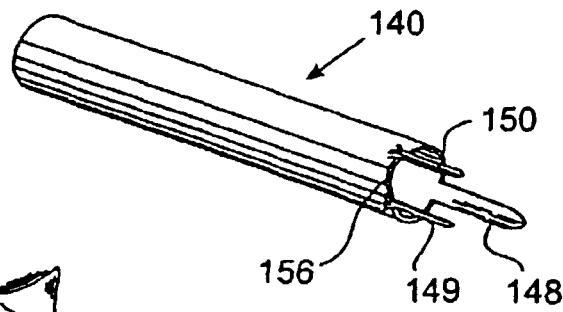
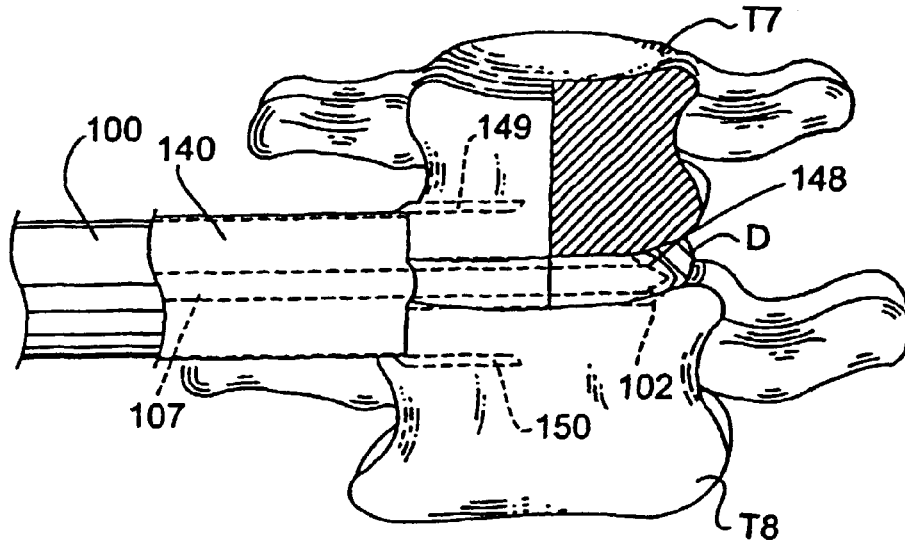


FIG. 6



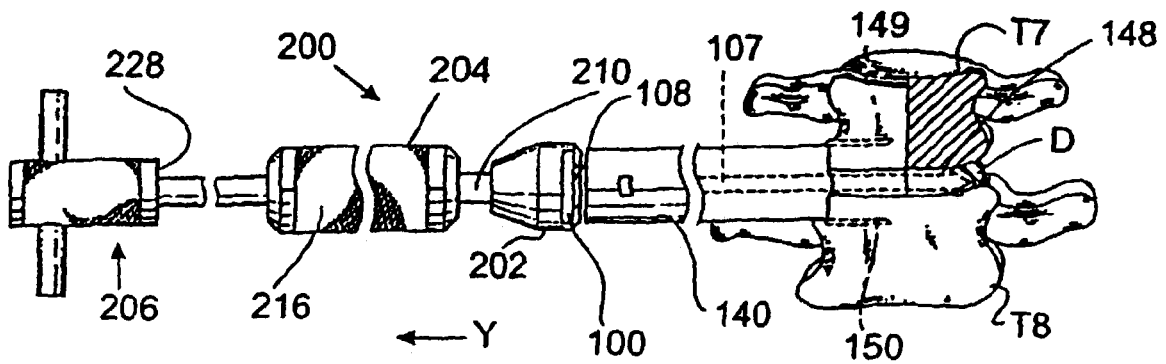


FIG. 9

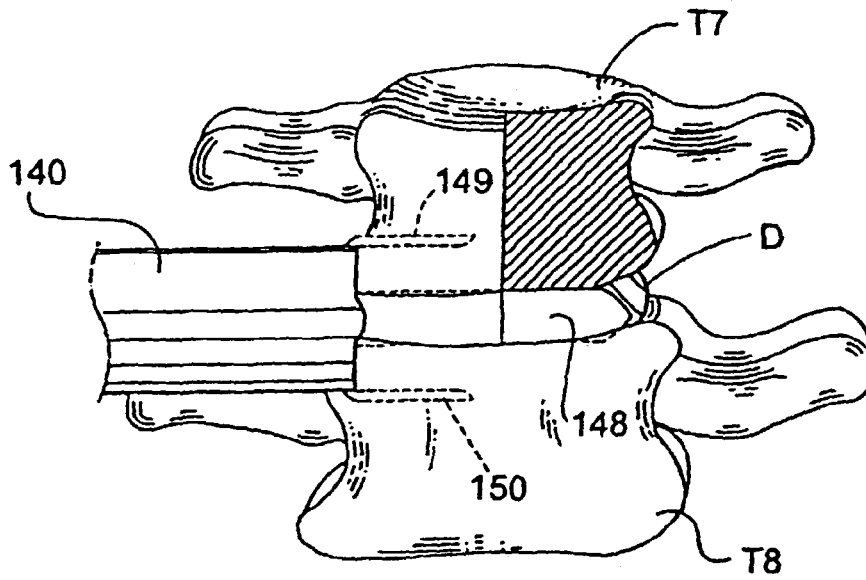


FIG. 10

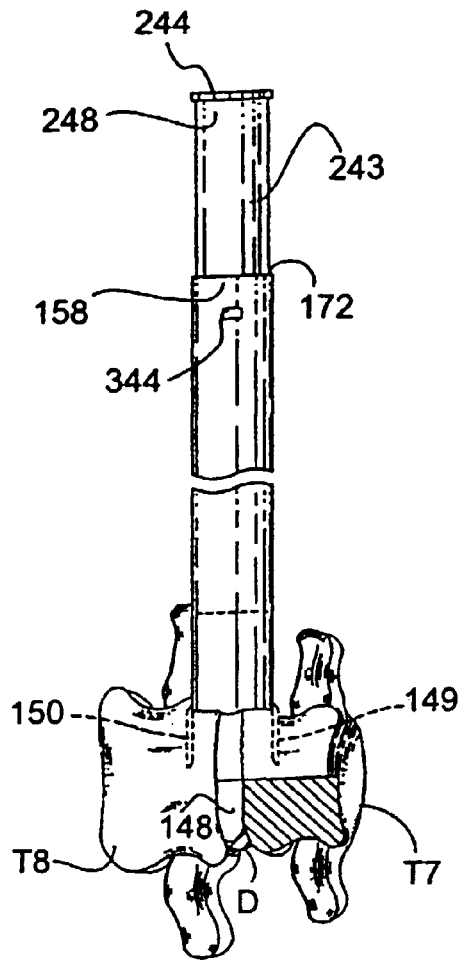


FIG. 11

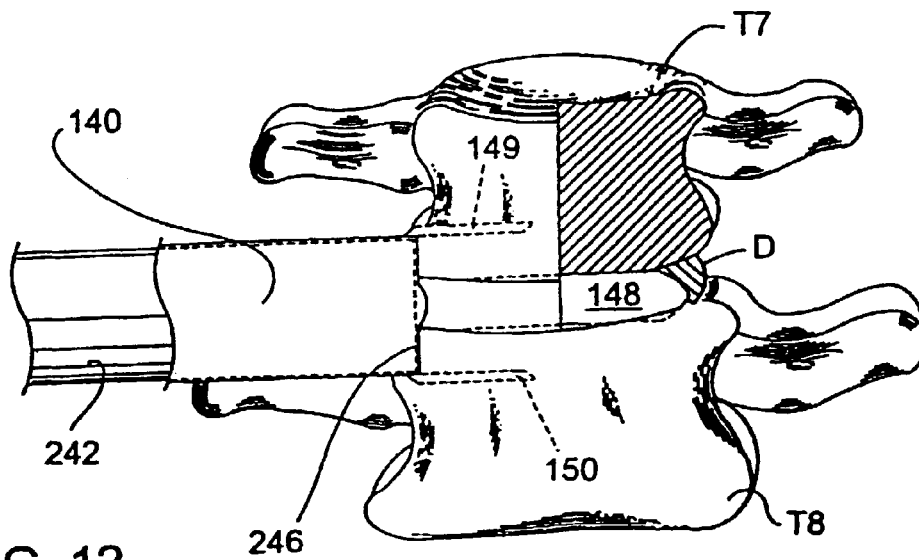


FIG. 12

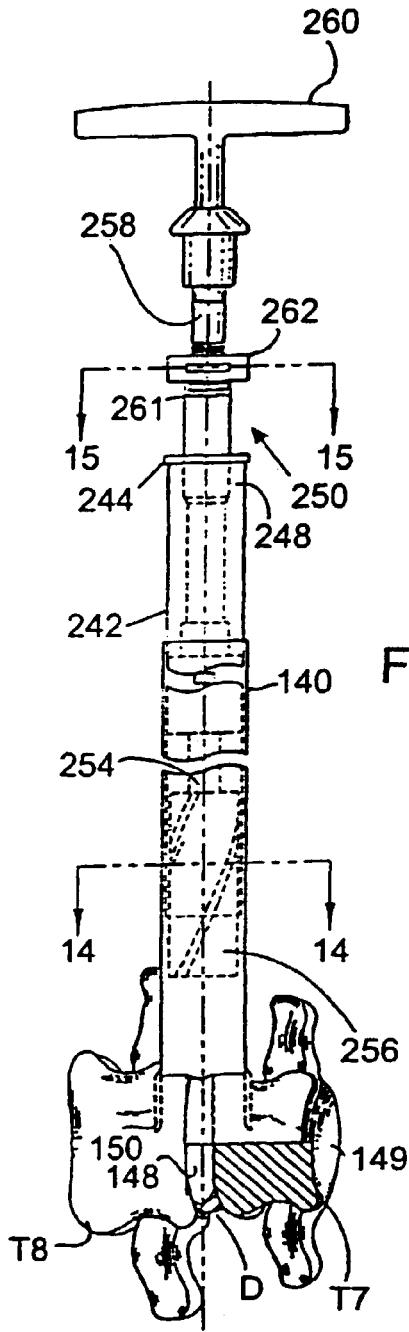


FIG. 13

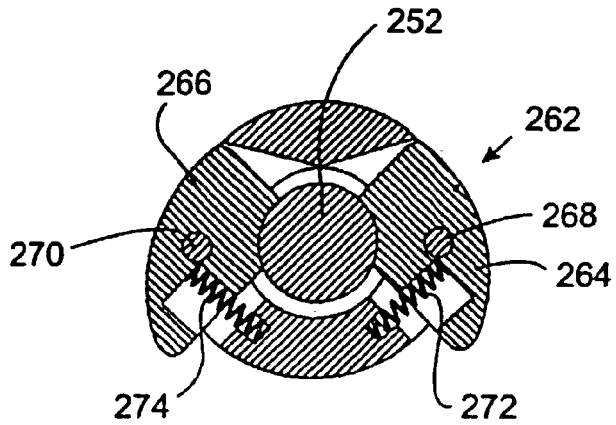


FIG. 15

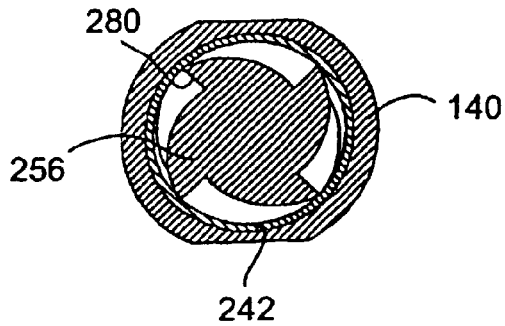


FIG. 14

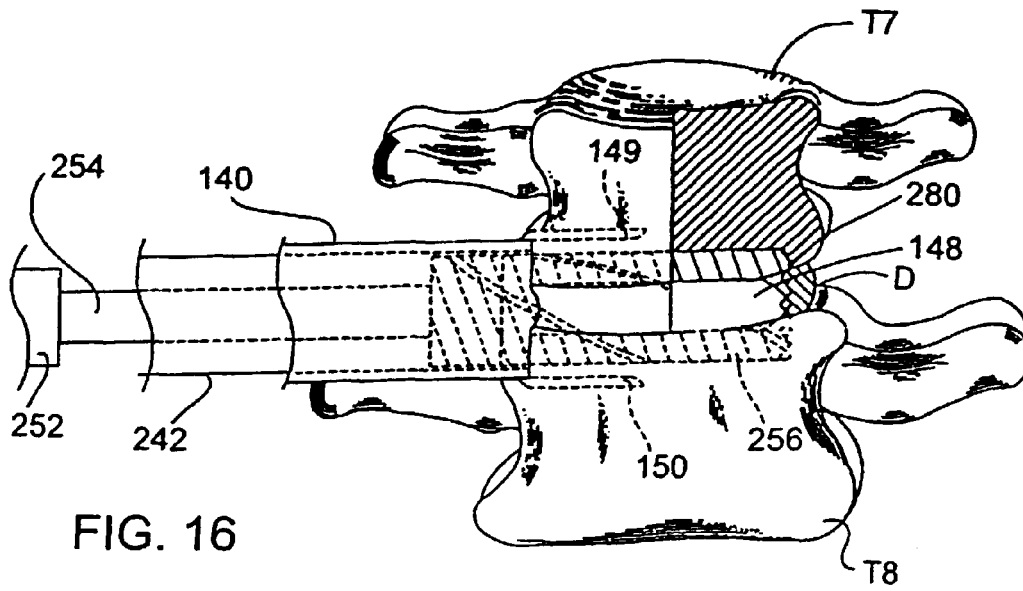


FIG. 16

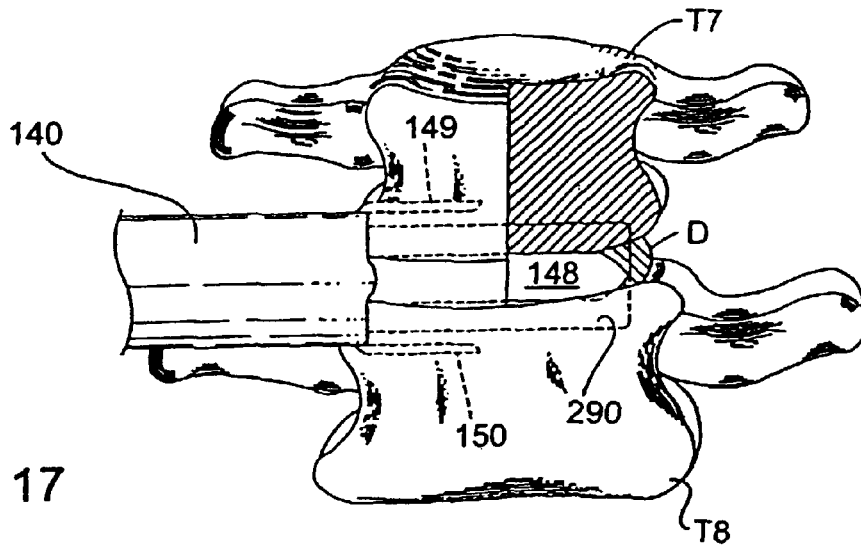


FIG. 17

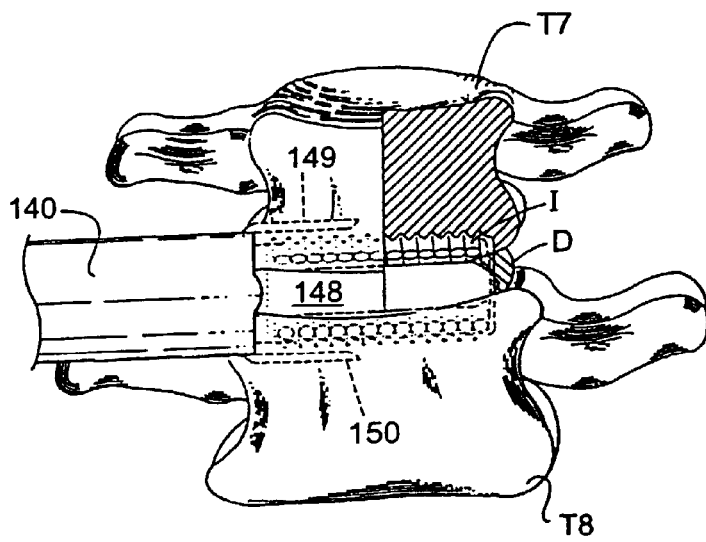


FIG. 19

FIG. 18

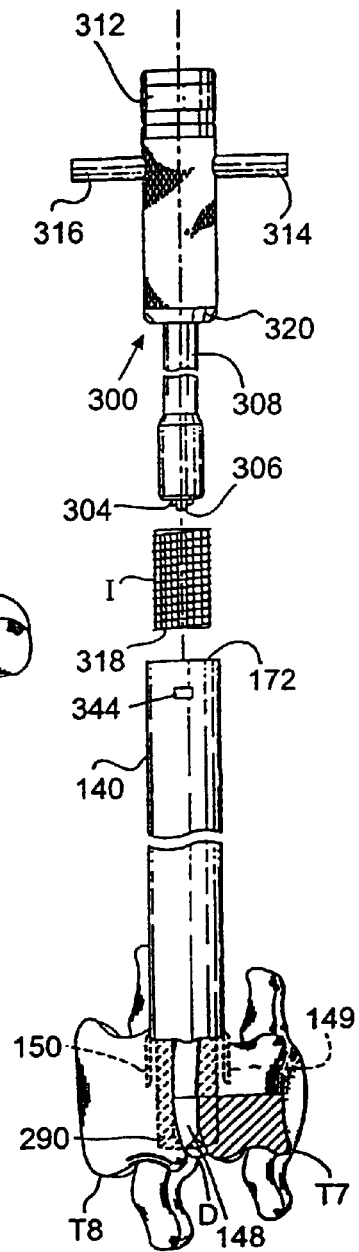


FIG. 21

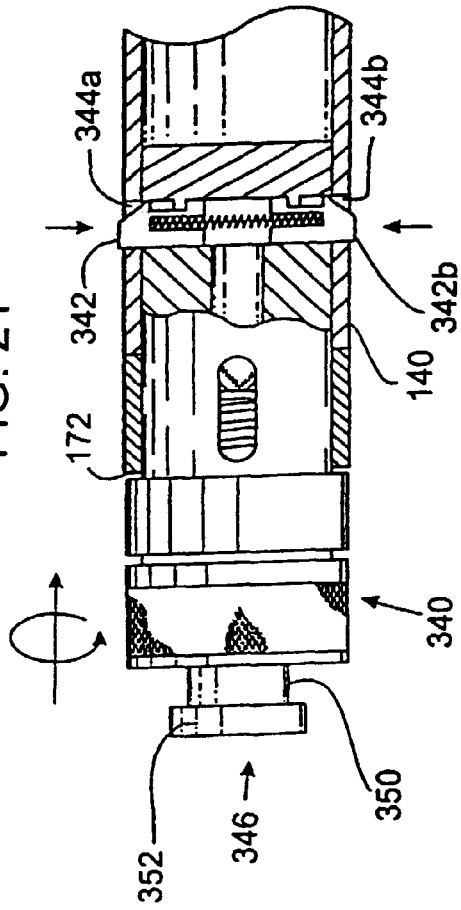
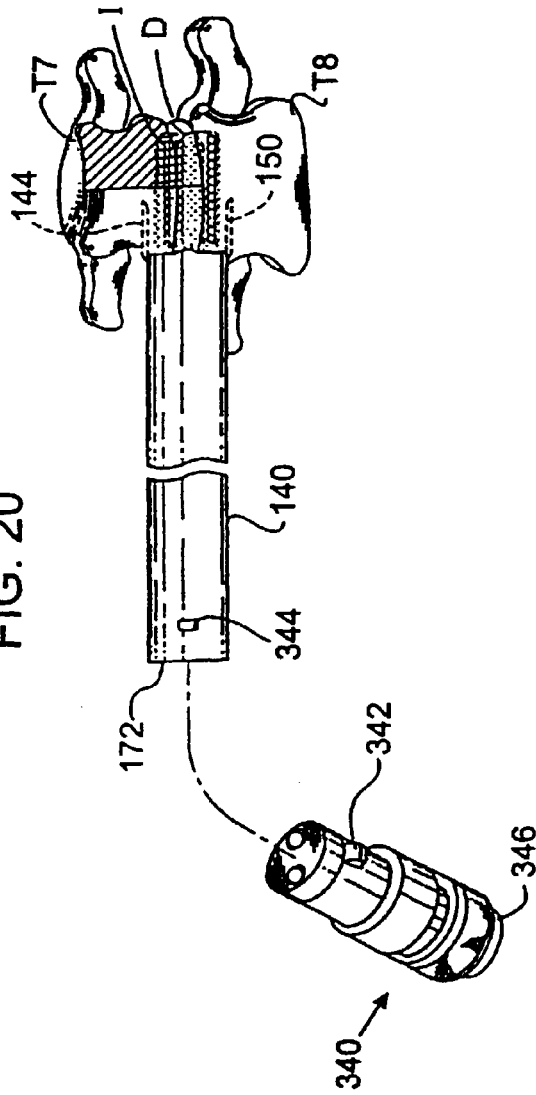


FIG. 20





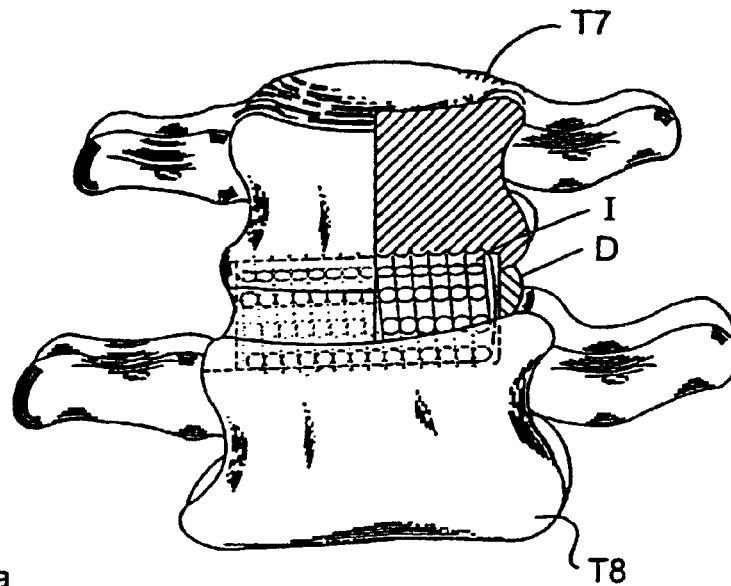
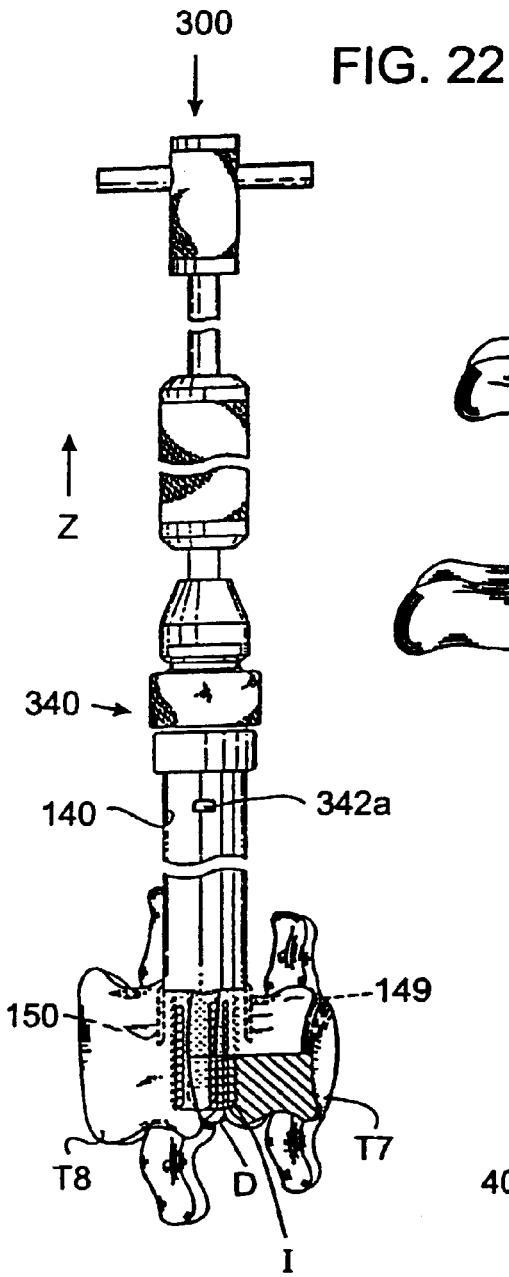


FIG. 23

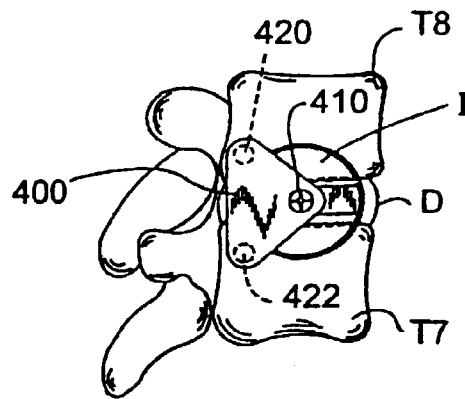


FIG. 24

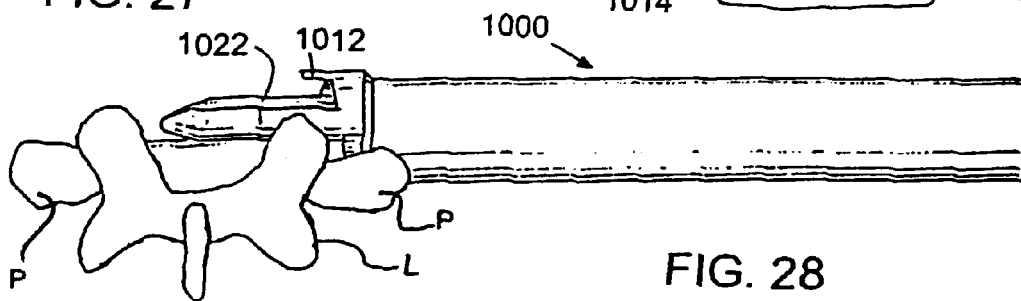
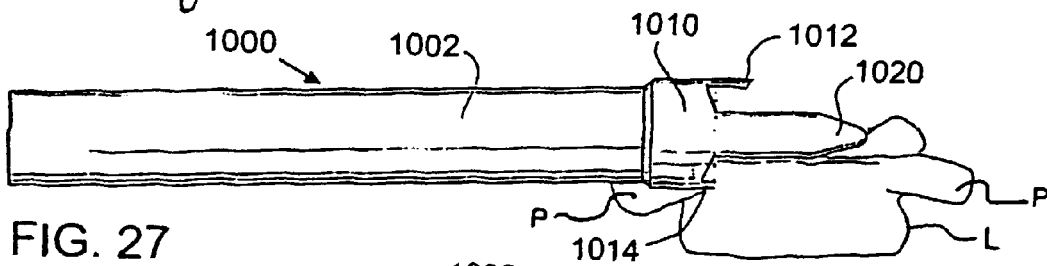
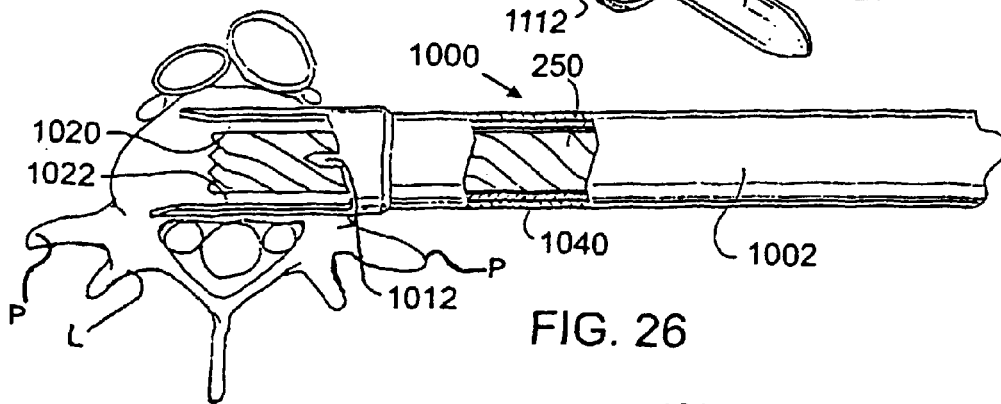
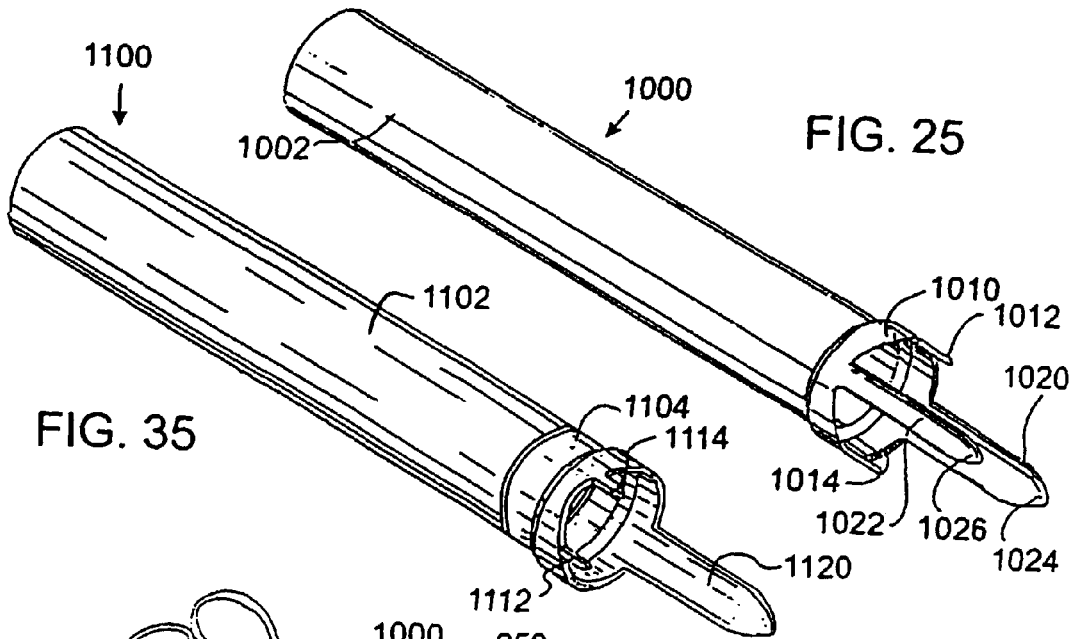


FIG. 30A

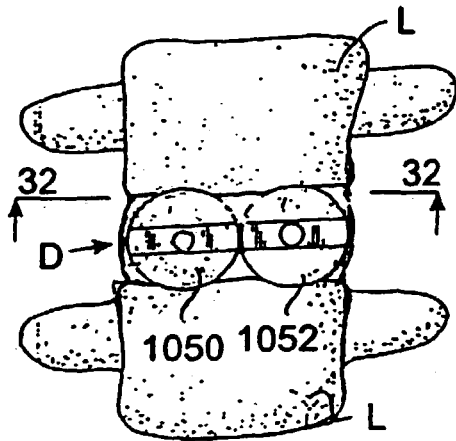
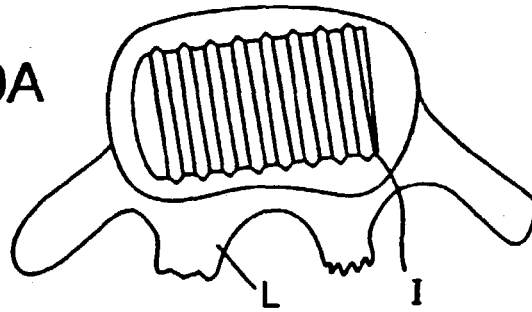


FIG. 31

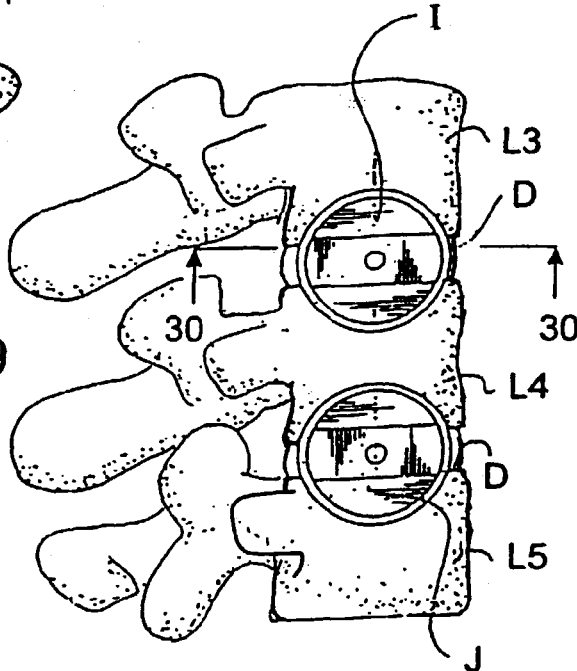


FIG. 29

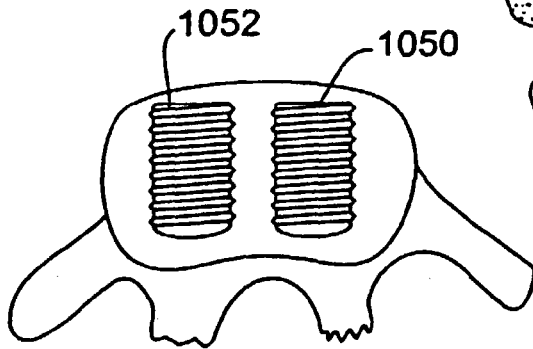


FIG. 32

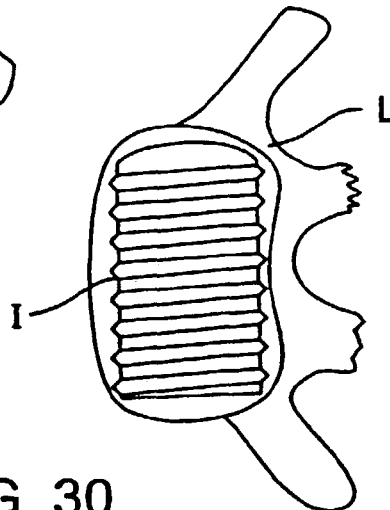


FIG. 30

FIG. 33

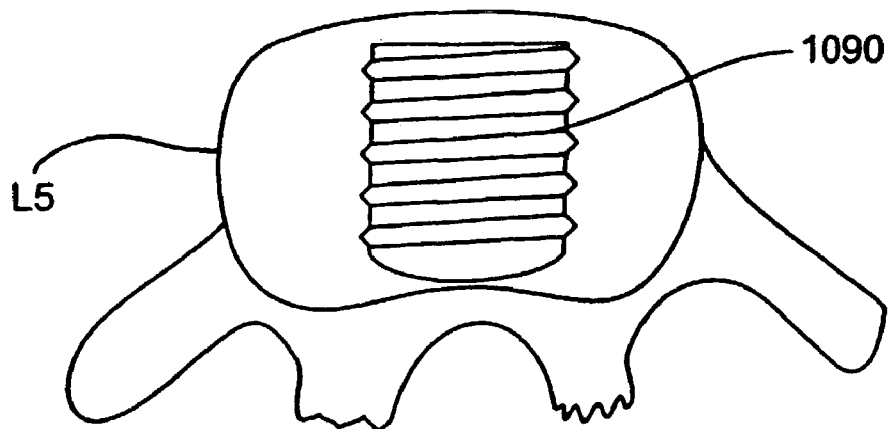
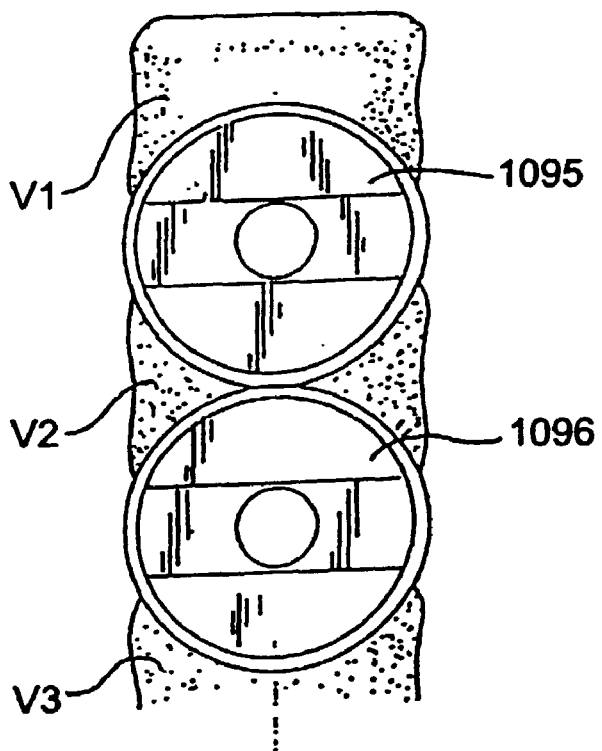


FIG. 34



## INSTRUMENTATION FOR THE ENDOSCOPIC CORRECTION OF SPINAL DISEASE

### RELATED APPLICATIONS

This application is a continuation in part of U.S. application Ser. No. 08/074,781 filed on Jun. 10, 1993 now U.S. Pat. No. 5,484,437, which is a continuation in part of U.S. application Ser. No. 07/698,674 filed on May 10, 1991 now abandoned which is a divisional of application Ser. No. 07/205,935 filed on Jun. 13, 1988, now U.S. Pat. No. 5,015,247 all of which are incorporated herein by reference. This application is also a continuation in part of U.S. application Ser. No. 08/219,626 filed on Mar. 28, 1994 now abandoned which is incorporated herein by reference.

### FIELD OF THE INVENTION

The present invention relates generally to instrumentation and methods of performing surgical procedures on the human thoracic and lumbar spine along the lateral aspect of the spine and from a true lateral or anterolateral approach, and specifically to the surgical correction of thoracic and lumbar disc disease and spinal deformities where concomitant fusion is desired.

### DESCRIPTION OF THE RELATED ART

As regards the thoracic spine, it may be afflicted with a variety of ailments, some so severe as to require surgical intervention. A disc herniation may compress the spinal cord and/or nerve roots and cause pain, loss of function, and even complete paralysis of the legs with loss of bowel and bladder control. The correct treatment for such conditions is the removal of the offending discal tissue. However, this has proven both difficult and quite dangerous. When the discs of the thoracic spine are approached posteriorly (from behind) the spinal cord is in the way. To approach the same herniation anteriorly (from the front) requires the very formidable procedure of thoracotomy (cutting open the chest) and moving the heart and lungs out of the way. procedures from a lateral approach to the spine (from the side) using fiber optic viewing instruments called thoroscopes and numerous small surgical openings through the chest wall (portals) through which various surgical instruments, such as burrs, rongeurs and curettes, may be placed to remove these disc herniations while avoiding formal thoracotomy. Because the discs are very narrow in the thoracic spine and the surgeon is approaching the spine laterally, there is very little space in which to work as the disc is entered in order to get to the back of the disc space. Therefore, the amount of disc removal may be limited. In the alternative, the surgeon might remove the pedicle to gain access to the spinal canal risking further weakening of the already diseased area.

Sometimes, for a variety of reasons including the removal of disc material, the thoracic spine may become unstable (too much motion) at any given level. Historically, this has been treated by fusion, the joining together permanently of the unstable vertebrae via a bridge of bone so as to eliminate all motion at that location. Fusions about the thoracic spine have been performed either anteriorly or posteriorly, either procedure being a rather large surgical undertaking.

Stability of the spine is required for fusion to occur. For this reason, and for the purpose of correcting spinal deformity, it is often necessary to use hardware to rigidly internally fixate (stabilize) the spine. To date, the only benefit the use of the

thoroscope has provided in this regard is to allow the previous thoracotomy incision to be somewhat smaller.

So to date the following problems remain even utilizing the most recent technology as regards the surgical treatment of thoracic disc disease:

Firstly, the working space within the disc itself to access the herniation which is more posterior is quite limited.

Secondly, multiple or long incisions through the chest are still required.

Thirdly, when fusion is required a major surgical undertaking with its considerable risks is required.

Fourthly, the installation of hardware affixed to the spine still requires a thoracotomy, albeit a smaller one if visualization is assisted via the thoroscope.

Fifthly, when, as is often the case, the patient requires all three, that is, discectomy (excision, in part or whole, of an intervertebral disc), fusion, and the application of hardware to the spine, those procedures are performed as serially (one after the other) combined surgical procedures with added surgical times, complications, morbidities, and mortalities.

As regards to the human lumbar spine, the treatment of discal disease with neural compression has generally been from a posterior (from behind) approach. This is sensible as the lumbar discs are generally quite large and it is only those protrusions occurring posteriorly which compress the neural elements which are themselves posterior to the discs. These posterior approaches have included both true posterior approaches and posterolateral approaches to the discs. Further, such approaches have been made via open incisions or through percutaneous stab wounds. In the latter case, instruments are inserted through the stab wounds and monitored by the use of radiographic imaging or the use of an endoscopic viewing device. While it is possible to also decompress a posterior disc herniation in the lumbar spine from an anterior approach (from the front) doing so requires the removal of a very substantial portion or all of the disc material in the front and mid portions of the disc thus leaving that disc incompetent and that spinal segment generally unstable. Therefore, such an anterior approach to the lumbar spine has been reserved for those instances where a fusion is to be performed in conjunction with, and following such a disc removal.

As regards to fusion, the application of bone or bone like substances between bones to induce bony bridging, such procedures have been performed outside the vertebral bodies and/or between the vertebral bodies. The latter being known as an interbody fusion. Such interbody fusions have been performed from posterior, posterolateral and anterior. The adjective applying specifically to the direction from which the bone grafts enter the intervertebral space. Interbody fusion from the posterior approach while still in use has been associated with significant complications generally related to the fact that the delicate dural sac and the spine nerves cover the back of the disc space and are thus clearly in harms way with such an approach. The posterolateral approach has generally been utilized as a compliment to percutaneous discectomy and has consisted of pushing tiny fragments of morsalized bone down through a tube and into the disc space.

Anterior interbody spinal fusion is performed from a straight anterior position as regards the path of entry of the fusion material into the intervertebral space. Such an anterior position is achieved in one of two ways. First, by a straight anterior approach which requires that the peritoneal cavity, which contains the intestines and other organs, be punctured twice, once through the front and once through the back on the way to the front of the spine; or secondly, by starting on the front of the abdomen off to one side and dissecting behind the

peritoneal cavity on the way to the front of the spine. Regardless of which approach to the front of the spine is used, and apart from the obvious dangers related to the dense anatomy and vital structures in that area, there are at least two major problems specific to the anterior interbody fusion angle of implant insertion itself. First, generally at the L<sub>4</sub>L<sub>5</sub> disc, the great iliac vessels bifurcate from the inferior vena cava lie in close apposition to, and, covering that disc space making fusion from the front both difficult and dangerous. Secondly, anterior fusions have generally been done by filling the disc space with bone or by drilling across the disc space and then filling those holes with cylindrical implants. As presently practiced, the preferred method of filling the disc space consists of placing a ring of allograft (bone not from the patient) femur into that disc space. An attempt to get good fill of the disc space places the sympathetic nerves along the sides of the disc at great risk. Alternatively, when the dowel technique is used, because of the short path from the front of the vertebrae to the back and because of the height of the disc as compared to the width of the spine, only a portion of the cylindrical implant or implants actually engages the vertebrae, thus, compromising the support provided to the vertebrae and the area of contact provided for the fusion to occur.

There is therefore, in regard to the lumbar spine, a need for a new method and means for achieving interbody fusion which method avoids the problems associated with all prior methods, and which have included, but are not limited to, nerve damage when performed posteriorly, or the need to mobilize the great vessels when performed anteriorly. Further, the size of the implants are limited by the dural sac posteriorly, and the width of the spine and the delicate vital structures therewith associated anteriorly. An improved method and means for interbody fusion should provide for optimal fill of the interspace without endangering the associated structures and allow for the optimal area of contact between the implant or implants and the vertebrae to be fused.

#### SUMMARY OF THE INVENTION

The present invention is directed to methods and instrumentation for performing surgery on the spine along its lateral aspect (side) and generally by a lateral or an anterolateral surgical approach, such that the instruments enter the body from an approach that is other than posterior and make contact with the spine along its lateral aspect. The present invention provides for the entire surgical procedure to be performed through a relatively small incision and may be performed in either the thoracic or lumbar spine.

In the preferred embodiment, the instrumentation of the present invention comprises a guide pin, a distractor, an extended outer sleeve, an inner sleeve and drill adjustable for depth and with a depth limiting means. The distractor of the present invention is used for initially distracting (spacing apart) and realigning adjacent vertebrae of the spine and also functions as an alignment rod for inserting the extended outer sleeve. The distractor is placed at the affected disc space between adjacent vertebrae through a small incision in the body. For example, for surgery in the thoracic spine, a small incision in the chest cavity of the patient is made from a lateral approach to the thoracic spine. For surgery in the lumbar spine a small incision may be made in the abdominal wall of the patient. The insertion of the distractor may be guided by a guide pin previously inserted in the disc space and visually monitored for proper orientation and placement by the surgeon either indirectly through an image intensifier, or directly through a thoroscope or by direct vision.

The extended outer sleeve in the preferred embodiment is a hollow tubular member having an extension member that is inserted in the disc space and is capable of distracting and aligning the two adjacent vertebrae from the lateral aspect of the spine. In the preferred embodiment, the extended outer sleeve has a pair of prongs for fixedly engaging the two adjacent vertebrae and further stabilizing the adjacent vertebrae. With the distractor in place in the affected disc space, the extended outer sleeve is placed over the distractor, and the distractor guides and aligns the insertion of the extended outer sleeve. As the extended outer sleeve is seated, the extension member becomes inserted in the disc space and the prongs engage the outside wall of the adjacent vertebrae. The distractor is then removed and the extended outer sleeve maintains the proper distraction and alignment of the adjacent vertebrae. The remainder of the surgical procedure consisting of disc removal, fusion, and rigid internal stabilization may all be performed via the closed space within the extended outer sleeve. Alternatively, a convertible extended outer sleeve comprising a hollow tubular member that can be dissociated from its insertion end which remains engaged to the vertebrae to maintain distraction and alignment, may be used where it is desired to have direct visualization and access to the surgical site for at least a portion of the surgical procedure.

The drilling out and the subsequent removal of a rather significant mass of the disc itself may be curative in relieving a posterior disc herniation as the mass of tissue pushing from within the disc outward and posteriorly is thus removed. Further, the distractor in driving the vertebrae apart exerts significant tension on the walls of the disc which are pulled straight also tending to correct any disc herniation. Finally, since the hole drilled across the disc space is quite close to the posterior borders of the vertebrae, it makes the removal of any persisting posterior disc herniation quite simple. With the drill removed and the extended outer sleeve cleaned out by irrigation and suction, one can then place the endoscope directly down the outer sleeve and into the large space created by the removal of the disc, and in the preferred method, the adjacent vertebral bone, and then remove any remaining fragments of disc using conventional hand held instruments such as rongeurs and curettes under endoscopic visualization.

When it is desirable to remove posterior disc material, then a specialized modification of the extended outer sleeve having at its distal end a spine engaging portion comprising one anterior extension and posteriorly two prongs one each above and below the disc space may be used. Further, such an extended outer sleeve may be configured such that the great length of the hollow tubular portion of the extended outer sleeve is detachable, as by unscrewing, from the distal working end such that when uncoupled the distal end may remain in place maintaining distraction even after the hole is drilled and thus allowing the surgeon to work through that remaining portion of the extended outer sleeve and the space provided by the drilling to remove the posterior disc material under direct vision. For those instances where the surgeon has elected to access the spine through a more standard incision and is viewing the spine directly, the surgeon is then able to continue to operate through the distal spine engaging portion of the extended outer sleeve and still maintain the distraction and alignment of the vertebrae.

A spinal implant may then be inserted through the extended outer sleeve and into the hole in the adjacent vertebrae. The extended outer sleeve is removed once the spinal implant has been inserted. If the spinal implant being inserted has surface projections such as a thread, then an inner sleeve is inserted in the extended outer sleeve prior to drilling to accommodate the

5

height of the projections or as in the case of a thread, the difference between the major and minor diameters of the implant.

To further stabilize the spinal implant, a staple alignment rod may be mechanically coupled to the spinal implant prior to the removal of the extended outer sleeve. The extended outer sleeve is then removed and a staple having spine engaging prongs is inserted via the alignment rod and is coupled to the spinal implant. The alignment rod is removed and replaced with a locking screw to secure the staple to the spinal implant.

While the preferred method utilizing a cylindrical implant and involving the removal of some bone from each of the adjacent vertebrae in preparation for fusion has been described, it is understood that the distractor and sleeve could as well be rectangular and the drill supplemented with or replaced by a box chisel, or other chisel so as to produce a rectangular fusion site or similarly any of a variety of shapes. Further, it is understood that the outer sleeve could be dimensioned so as to confine the removal of the disc material, regardless of the means, to the area between the adjacent vertebrae rather than providing for the removal of the bone as well.

#### OBJECTS OF THE PRESENT INVENTION

It is an object of the present invention to provide instrumentation for performing surgery on the thoracic spine through the chest cavity from a lateral approach to the spine.

It is another object of the present invention to provide a method of performing surgery on the thoracic spine through the chest cavity from a lateral approach to the spine that is safer, more effective and faster than previously possible.

It is a further object of the present invention to provide instrumentation and method of inserting a spinal implant in a hole drilled across the disc space and into two adjacent vertebrae of the thoracic spine through the chest cavity from a lateral approach to the spine.

It is another object of the present invention to provide for a method and instrumentation for performing a thoracic discectomy, an interbody fusion, and rigid internal fixation of the spine through the chest cavity from a lateral approach and all as a single integrated procedure.

It is yet another object of the present invention to provide for a method and instrumentation for performing a lumbar fusion from the lateral aspect of the spine.

It is further another object of the present invention to provide for a method and instrumentation for performing a lumbar fusion and spinal canal decompression from the lateral aspect of the spine.

It is further still another object of the present invention to provide for a method and instrumentation for performing a lumbar fusion, decompressive discectomy, and a rigid internal fixation of the spine and all as a single integrated surgical procedure.

It is further yet another object of the present invention to provide for a method and instrumentation to achieve discectomy, fusion and interbody stabilization of the lumbar without the need to mobilize the great vessels from the front of the vertebral bodies.

These and other objects of the present invention will become apparent from a review of the accompanying drawings and the detailed description of the drawings.

#### BRIEF DESCRIPTION OF THE DRAWINGS

FIG. 1 is a rear perspective view of a segment of the thoracic spine with the guide pin of the present invention

6

about to be inserted from a lateral approach to the thoracic spine into the disc space between two adjacent vertebrae.

FIG. 2 is a rear perspective view of a segment of the thoracic spine with the guide pin inserted in the disc space between two adjacent vertebrae and the distractor of the present invention about to be placed over the guide pin.

FIG. 3 is an enlarged front elevational view of a segment of the thoracic spine along line 3 of FIG. 2 having a portion of the top vertebrae removed and a portion of the disc removed with the guide pin, shown partially in hidden line, inserted from a lateral approach to the thoracic spine into the disc space.

FIG. 4 is an enlarged front elevational view of the segment of the thoracic spine of FIG. 3 with the guide pin and distractor, shown partially in hidden line, inserted from a lateral approach to the thoracic spine in the disc space.

FIG. 5 is an enlarged front elevational view of the segment of the thoracic spine of FIG. 3 with the distractor, shown partially in hidden line, inserted from a lateral approach to the thoracic spine and seated in the disc space and the guide pin removed.

FIG. 6 is a rear perspective view of a segment of the thoracic spine having a distractor inserted from a lateral approach to the thoracic spine and seated in the disc space and the extended outer sleeve of the present invention coupled to a driver cap and about to be placed over the distractor.

FIG. 7 is an enlarged front elevational view of the segment of the thoracic spine of FIG. 3 with the distractor and the extended outer sleeve inserted from a lateral approach to the thoracic spine and seated in the disc space.

FIG. 7A is side perspective view of the extended outer sleeve of the present invention.

FIG. 8 is a rear perspective view of a portion of the thoracic spine with the extended outer sleeve fully seated over the distractor inserted from a lateral approach to the thoracic spine and seated in the disc space and with the driver cap removed.

FIG. 9 is a front elevational view of a segment of the thoracic spine of FIG. 3 with the extended outer sleeve inserted from a lateral approach to the thoracic spine and seated in the disc space and engaging the adjacent vertebrae showing the distractor being removed by a distractor puller.

FIG. 10 is an enlarged front elevational view of the segment of the thoracic spine of FIG. 3 with the extended outer sleeve inserted from a lateral approach to the thoracic spine and seated in the disc space and engaging the two adjacent vertebrae.

FIG. 11 is a front elevational view of a segment of the thoracic spine of FIG. 3 with the inner sleeve of the present invention being inserted into the extended outer sleeve.

FIG. 12 is an enlarged front elevational view of the segment of the thoracic spine of FIG. 3 with the inner sleeve, shown in partial hidden line, inserted into the extended outer sleeve that is inserted from a lateral approach to the thoracic spine in the disc space and engages two adjacent vertebrae.

FIG. 13 is a side elevational view of a segment of the thoracic spine of FIG. 3 showing the extended outer sleeve inserted from a lateral approach to the thoracic spine in the disc space and engaging the two adjacent vertebrae with the inner sleeve and drill shown in an exploded view and partially in hidden line.

FIG. 14 is a cross sectional view along lines 14-14 of FIG. 13 of the drill, inner sleeve and extended outer sleeve.

FIG. 15 is a cross sectional view along lines 15-15 of FIG. 13 of the collar for limiting the drilling depth of the drill.

FIG. 16 is an enlarged front elevational view of the segment of the thoracic spine of FIG. 3 showing the extended outer

7

sleeve inserted from a lateral approach to the thoracic spine and seated in the disc space and engaging the two adjacent vertebrae, the inner sleeve inserted in the extended outer sleeve, and the drill passing through the inner sleeve to create a hole across the disc space and into the adjacent vertebrae.

FIG. 17 is an enlarged front elevational view of the segment of the thoracic spine of FIG. 3 with the extended outer sleeve inserted from a lateral approach to the thoracic spine and seated in the disc space and engaging the two adjacent vertebrae illustrating a hole drilled across the disc space and into the adjacent vertebrae.

FIG. 18 is a front elevational view of the segment of the thoracic spine of FIG. 3 showing the extended outer sleeve inserted from a lateral approach to the thoracic spine and seated in the disc space and engaging the two adjacent vertebrae, an implant driver, and a spinal implant about to be inserted through the extended outer sleeve and into the hole drilled across the disc space and into the adjacent vertebrae.

FIG. 19 is a front elevational view of the segment of the thoracic spine of FIG. 3 showing the extended outer sleeve inserted from a lateral approach to the thoracic spine and seated in the disc space and engaging the two adjacent vertebrae and a spinal implant implanted in the hole drilled across the disc space and into two adjacent vertebrae.

FIG. 20 is a front elevational view of the segment of the thoracic spine of FIG. 3 showing the extended outer sleeve inserted from a lateral approach to the thoracic spine and seated in the disc space and engaging the two adjacent vertebrae and an extractor cap for removing the extended outer sleeve about to be coupled to the extended outer sleeve.

FIG. 21 is an enlarged partial sectional view of the extractor cap engaging the extended outer sleeve.

FIG. 22 is a front elevational view of the segment of the thoracic spine of FIG. 20 with the distractor puller coupled to the extractor cap shown removing the outer sleeve from the disc space and the adjacent vertebrae in the direction of the arrow.

FIG. 23 is an enlarged front elevational view of a segment of the thoracic spine having a portion of the top vertebrae removed and a portion of the disc space removed and a spinal implant implanted from a lateral approach to the thoracic spine in the hole drilled across the disc space and into the two adjacent vertebrae.

FIG. 24 is a front elevational view of a segment of the thoracic spine having a spinal implant implanted from a lateral approach to the thoracic spine into a hole drilled across the disc space and into the adjacent vertebrae with a spinal fixation device coupled to the spinal fusion implant and engaging the adjacent vertebrae to lock the spinal implant in place.

FIG. 25 is a side perspective view of an alternative embodiment of the extended outer sleeve of the present invention having a pair of extension members and a pair of prongs.

FIG. 26 is a top plan view of the extended outer sleeve of FIG. 25 shown in partial cutaway with an inner sleeve and a drill inserted within its interior and placed adjacent to a vertebra of the spine with the major vessels and the dural sac and spinal nerves proximate to the vertebra shown in cross section.

FIG. 27 is an anterior elevational view of a vertebra of the spine with the extended outer sleeve of FIG. 25 shown inserted from the lateral approach and seated in the disc space and engaging the vertebra.

FIG. 28 is a posterior elevational view of a vertebra of the spine with the extended outer sleeve of FIG. 25 shown inserted from the lateral approach of the spine and seated in the disc space and engaging the vertebra.

8

FIG. 29 is a side elevational view of a segment of the lumbar spine with a first spinal implant inserted from the lateral aspect into a hole drilled across a first disc space and into two adjacent vertebrae, and a second spinal implant inserted from the lateral aspect into a second hole drilled across a second disc space and into two adjacent vertebrae.

FIG. 30 is top sectional view along lines 30-30 of FIG. 29 showing the area of contact of the first spinal implant and the vertebra.

FIG. 30A is a top sectional view similar to FIG. 30 showing the area of contact of a spinal implant inserted from slightly anterior (anterolateral) along the lateral aspect of the spine and oriented at least partially from side to side with respect to the vertebra.

FIG. 31 is an anterior elevational view of a segment of the lumbar spine with spinal cylindrical implants inserted from the anterior of the spine into holes drilled across the same disc space and into two adjacent vertebrae.

FIG. 32 is a top sectional view along lines 31-31 of FIG. 31 showing the area of contact of the two spinal implants and the vertebra which is the same size as the vertebra of FIG. 30.

FIG. 33 is a top sectional view of a single implant having a diameter equal to the diameter of the implant of FIG. 30 showing the area of contact with the vertebra which is the same size as the vertebra of FIG. 30.

FIG. 34 is a side elevational view of a segment of the spinal column with two spinal implants inserted from front to back at adjacent disc levels between three vertebrae.

FIG. 35 is a perspective side view of an alternative embodiment of the extended outer sleeve of the present invention having a removable distal end with a single extension member and a pair of prongs.

#### DETAILED DESCRIPTION OF THE DRAWINGS

Referring to FIG. 1, a rear perspective view of a segment of the thoracic spine S is shown with a guide pin 30 about to be inserted from a lateral approach (through the lateral chest wall) to the thoracic spine S into the disc space D between two adjacent vertebrae, for example vertebrae T<sub>7</sub> and T<sub>8</sub>. The guide pin 30 may first be used as radiological marker to confirm the correct disk level and instrument position, and then functions to align and guide the insertion of the instrumentation described below into the disc space D. The guide pin 30 is inserted through a small incision on the side of a patient's chest cavity perpendicular to the lateral aspect of the vertebrae T<sub>7</sub> and T<sub>8</sub> of the thoracic spine S. The guide pin 30 is made of a material appropriate for surgical use and comprises a shaft portion 40, a tip 50 which may be pointed to facilitate insertion into the disc space D, and a distal end 60. In the preferred embodiment, the guide pin has a diameter in the range of 1.5 mm to 5.0 mm, with 2.5 mm being the preferred diameter, and a length in the range of 200 mm to 800 mm, with 350 mm being the preferred length.

Referring to FIGS. 2 and 3, the guide pin 30 is shown inserted from a lateral approach to the thoracic spine S and into the disc space D between adjacent vertebrae T<sub>7</sub> and T<sub>8</sub>, with a substantial part of the shaft portion 40 of the guide pin 30 remaining external to the disc space D and functions as a guide post. The tip 50 of the guide pin 30 may penetrate the disc space D for a substantial part of the transverse width W of the vertebrae T<sub>7</sub> and T<sub>8</sub> such that at least a part of the shaft portion 40 is within the disc space D. The guide pin 30 is firmly embedded in the discal material present within the disc space D, but does not protrude through the opposite side of the disc space D to prevent any unwanted damage to that area. The guide pin 30 is placed in the disc space D so that it is



parallel to the end plates of the vertebrae  $T_7$  and  $T_8$ , and centered within the disc space D to bisect the disc space D along the transverse width W of the vertebrae  $T_7$  and  $T_8$ . In this manner, a substantial portion of the vertebrae  $T_7$  and  $T_8$  is present near the circumference of the guide pin 30 such that instruments having a diameter greater than the guide pin 30 may be inserted into the vertebrae  $T_7$  and  $T_8$  coaxial to the guide pin 30 without protruding from the vertebrae  $T_7$  and  $T_8$ . Such instruments are guided and aligned during insertion by the guide pin 30 so that they are correctly oriented with respect to the vertebrae  $T_7$  and  $T_8$ . The surgeon may monitor the correct orientation of the guide pin 30 within the disc space D indirectly with an image intensifier, or directly with a thoroscope if one is being used.

Once inserted in the disc space D, the guide pin 30 functions as a guide post for a distractor 100 which is placed over the guide pin 30 and inserted in the disc space D to distract the disc space D and align the adjacent vertebrae  $T_7$  and  $T_8$  by urging them apart. Circumstances permitting, the surgeon may elect to bypass the use of the guide pin 30 and insert the distractor 100 directly. The distractor 100 has a cylindrical barrel 106 that terminates at one end in a reduced diameter disc penetrating portion 102 that is essentially cylindrical, with a further reduced diameter, bullet-shaped front end 103 to facilitate insertion into the disc space D. The distractor 100 has a shoulder portion 104 where the penetrating portion 102 extends from barrel 106 and has a hollow longitudinal passageway 107 extending the entire length of the distractor 100 for receiving the guide pin 30. The passageway 107 of the distractor 100 is open at both ends of the distractor 100 and has a diameter that is slightly greater than the diameter of the shaft portion 40 of guide pin 30. The shaft portion 40 of the guide pin 30 may pass through the passageway 107 as the distractor 100 is placed coaxially over the guide pin 30. In this manner, the distractor 100 can be guided and aligned by the guide pin 30 so that it is inserted into the disc space D coaxial to the guide pin 30 and is properly aligned with respect to the vertebrae  $T_7$  and  $T_8$ . Once the distractor 100 is properly placed within the disc space D, the guide pin 30 may be removed from the disc space D through the passageway 107 of the distractor 100.

The appropriate placement of distractor 100 in the disc space D may be determined visually by the surgeon by the use of a thoroscope and or by the use of radiographic, fluoroscopic, or similar procedures, such as utilizing an image intensifier, all of which allow the surgeon to determine the correct orientation and placement of the guide pin 30 and distractor 100 within the disc space D. The correct orientation and placement of the distractor 100 is important to the success of the method of the present invention, as the purpose of the distractor 100 is to space part and align the vertebrae  $T_7$  and  $T_8$  and to guide the insertion into the disc space D of the extended outer sleeve 140 described in detail below. As the diameter of the distractor 100 is almost the same as the inner diameter of the extended outer sleeve 140 and is the same as the spinal implant I, also described in detail below, the surgeon can use x-rays to determine whether the distractor 100 is properly oriented with respect to the adjacent vertebrae  $T_7$  and  $T_8$ , such that any subsequent drilling through the extended outer sleeve 140 and insertion of spinal implant I will be correctly oriented with respect to the vertebrae  $T_7$  and  $T_8$ . Such a precaution will permit the surgeon to correct any misplacement of the distractor 100 before any irreversible drilling or implant insertion has occurred.

The penetrating portion 102 of the distractor 100 may be of various diameters and lengths, the preferred length being less than the known transverse width W (side to side) of the

vertebrae  $T_7$  and  $T_8$ . This combined with the circumferential shoulder portion 104 of the distractor 100, which is too large to fit within the disc space D, protects against the danger of overpenetration. The barrel 106 of the distractor 100 may have at its distal end a recessed portion 108 below the crown 110 which allows for the distractor 100 to be engaged by an extractor unit shown in FIG. 9.

In the preferred embodiment of the distractor 100, the barrel 106 has a diameter in the range of 10 mm to 30 mm, with 20 mm being the preferred diameter, and the penetrating portion 102 has a diameter in the range of 3 mm to 10 mm, with 6 mm being the preferred diameter.

Referring to FIGS. 4 and 5, once the distractor 100 is inserted into the disc space D, the penetrating portion 102 of the distractor 100 distracts the vertebrae  $T_7$  and  $T_8$  apart, such that the vertebrae  $T_7$  and  $T_8$  to either side of the penetrating portion 102 are forced into full congruence and thus become parallel, not only to the penetrating portion 102, but to each other. Because of the forced opposition of the vertebrae  $T_7$  and  $T_8$  to the penetrating portion 102 the distractor 100 will then come to lie absolutely perpendicular to the plane P of the lateral aspect of the thoracic spine S and absolutely parallel to the vertebral endplates, allowing optimal alignment for the procedure to be performed.

Referring to FIGS. 6, 7 and 7A, the distractor 100 now serves as both a centering post and an alignment rod for the extended outer sleeve 140 which is fitted over the distractor 100 and inserted into the disc space D. As shown in FIG. 7A, the extended outer sleeve 140 is a hollow tubular member made of material appropriate for surgical use and preferably metal, and has an inner diameter sufficiently sized to receive the distractor 100. The inner diameter of the extended outer sleeve 140 closely matches the outer diameter of the distractor 100, so that a close fit is achieved and the extended outer sleeve 140 is precisely guided by the distractor 100. The extended outer sleeve 140 has at its distal end 146 an extension member 148 and two prongs 149 and 150 sufficiently spaced apart to penetrate and hold fixed the two adjacent vertebrae  $T_7$  and  $T_8$ . The extension member 148 is essentially a continuation of the extended outer sleeve 140 and the prongs 149 and 150 are offset from the extended outer sleeve 140 or can also be a continuation of the extended outer sleeve 140 like extension member 148. The prongs 149 and 150 may have sharp insertion edges 152 and 154 to facilitate insertion into the vertebrae  $T_7$  and  $T_8$ .

Where the surgery is for a disc herniation, the extension member 148 of the extended outer sleeve 140 located anteriorly is used without a second extension member posteriorly, as the use of the two prongs 149 and 150 in conjunction with the anterior extension member 148 makes it possible to operate through the extended outer sleeve 140 posteriorly, without obstruction and with good visibility when an endoscope is used such that any remaining disc herniation may be removed. The extension member 148 of the extended outer sleeve 140 provides a protective barrier to the structures lying beyond it.

However, if the surgery is not for a disc herniation, but for example, for stabilization of the spine, then the extended outer sleeve may have both an anterior extension member 148 and a corresponding posterior extension member with or without prongs, such as the extended outer sleeve 1100 shown in FIG. 35 and described in greater detail below.

In the preferred embodiment, the extension member 148 of the extended outer sleeve 140 functions to maintain the distraction and alignment of the vertebrae  $T_7$  and  $T_8$ , as the extension member 148 is being inserted from the lateral aspect of the thoracic spine S. Without the extension member

**148**, in order to maintain the proper distraction of the adjacent vertebrae  $T_7$  and  $T_8$ , it would be necessary to place a surgical instrument, such as a second distractor (not shown) on the opposite side of the vertebrae  $T_7$  and  $T_8$ . This would require a second incision in the opposite side of the patient's chest cavity for insertion of the required surgical instruments. Further, as it is desired to insert an implant of the maximum possible length across the transverse width  $W$  of the vertebrae  $T_7$  and  $T_8$ , the presence of any instrumentation at the opposite end of the vertebrae  $T_7$  and  $T_8$ , would interfere with the insertion of such an implant. For example, the second distractor on the opposite side of the vertebrae  $T_7$  and  $T_8$  would be in the way of a drill used to create a hole across the transverse width  $W$  of the vertebrae  $T_7$  and  $T_8$ , since the drilled opening would overlap the second distractor. Therefore, the extension member **148** solves the problem of maintaining an even distraction of the two adjacent vertebrae  $T_7$  and  $T_8$  across their transverse width  $W$  from only one side of the thoracic spine  $S$ , allowing for the unimpeded insertion of instruments and/or implants. While in the preferred embodiment, the extended outer sleeve **140** has an extension member **148**, it is also possible to have an extended outer sleeve without any extension members and instead, having prongs of sufficient length that engage the bone of the adjacent vertebrae to maintain the distraction and alignment of the adjacent vertebrae created by the distractor **100**. However, the use of such an extended outer sleeve capable of holding, but not of obtaining, the desired intervertebral distraction and alignment would require the use of a distractor prior to its insertion as earlier described herein.

In the preferred embodiment of the extended outer sleeve **140**, a single extension member **148** is present and oriented anteriorly to protect the major vessels located to the anterior aspect of the thoracic spine  $S$ . The extended outer sleeve **140** has no extension member near the posterior aspect of the spine as it is often necessary to access the spinal canal in order to remove any diseased discal material. In the special circumstances where only vertebral fusion is desired, the extended outer sleeve **140** may have a second extension member (not shown) identical to the extension member **148** positioned diametrically opposite the extension member **148** in order to protect the spinal canal, and in such instance may or may not have the bone penetrating prongs **149** and **150**.

The extension member **148** of the extended outer sleeve **140** has a height that is generally approximately equal to the diameter of the penetrating portion **102** of the distractor **100**, such that the extension member **148** is capable of maintaining the spacing created by the insertion of the distractor **100** between the adjacent vertebrae  $T_7$  and  $T_8$  which is generally the restoration to normal of the disc space  $D$ . The extension member **148** is tapered at its leading edge **151** to facilitate insertion into the disc space  $D$  and is positioned approximately 120 degrees from each of the two prongs **149** and **150**. The extension member **148** of the extended outer sleeve **140** works in conjunction with the prongs **149** and **150** which engage the vertebrae  $T_7$  and  $T_8$ , respectively, to maintain the distraction and alignment of the vertebrae  $T_7$  and  $T_8$ . Further, the prongs **149** and **150** not only hold the vertebrae  $T_7$  and  $T_8$  apart, but during drilling also help to hold them together so as to resist them moving apart.

In the preferred embodiment, the extension member **148** of the extended outer sleeve **140** has a length that is less than the transverse width  $W$  of the vertebrae  $T_7$  and  $T_8$ . The extension member **148** needs to be relatively long because it must maintain distraction of the adjacent vertebrae  $T_7$  and  $T_8$  when placed across the transverse width  $W$  of the vertebrae  $T_7$  and  $T_8$ . Therefore, if the extension member **148** is shorter than one half the transverse width  $W$  of the vertebrae  $T_7$  and  $T_8$ , it may

not be capable of distracting and aligning the vertebrae  $T_7$  and  $T_8$ , and a second distractor would be required as described above, to achieve the correct distraction and alignment of the vertebrae  $T_7$  and  $T_8$ .

In the preferred embodiment, the extended outer sleeve **140** has an outer diameter in the range of 12 mm to 34 mm, with 24 mm being the preferred outer diameter, and an inner diameter in the range of 10 mm to 28 mm, with 20 mm being the preferred inner diameter of the extended sleeve **140**.

In the preferred embodiment, the extension member **148** of the extended outer sleeve **140** has a length in the range of 14 mm to 30 mm, with 24 mm being the preferred length, and a height in the range of 3 mm to 10 mm, with 6 mm being the preferred height. In the preferred embodiment, the prongs **149** and **150** of the extension member **140** have a length in the range of 6 mm to 20 mm, with 14 mm being the preferred length and a diameter in the range of 2 mm to 3 mm, with 2 mm being the preferred diameter of the prongs **149** and **150**.

Referring specifically to FIG. 6, coupled to the proximal end **157** of the extended outer sleeve **140** is a driver cap **160** in the form of an impactation cap which has at its far end a flat, closed-back surface **162** and at its other end a broad, circular opening. The driver cap **160** is used for driving the extended outer sleeve **140** toward the vertebrae  $T_7$  and  $T_8$  and fits over both the extended outer sleeve **140** and the distractor **100**. An impactation force, such as a mallet blow, is applied to surface **162** of the driver cap **160** to advance the extended outer sleeve **140**. That force is transmitted to the extended outer sleeve **140** via its proximal end **157**, seating the prongs **149** and **150** of the extended outer sleeve **140** into the vertebrae  $T_7$  and  $T_8$  and inserting the extension member **148** into the disc space  $D$ . As the extended outer sleeve **140** is advanced forward, the crown **110** of the distractor **100** is allowed to protrude within the driver cap **160** unobstructed until it contacts the interior of the driver cap **160**, such that further taps of the mallet will not further advance the extended outer sleeve **140**. Any further motion is resisted by the flat shoulder portion **104** of the distractor **100** abutting the hard lateral outer surfaces of the adjacent vertebrae  $T_7$  and  $T_8$ . The flat, planar area **156** of the distal end **146** of extended outer sleeve **140** serves to resist the further insertion of the extension member **148** into the disc space  $D$  and to resist further insertion of the prongs **149** and **150** into the vertebrae  $T_7$  and  $T_8$ . In this way, the extended outer sleeve **140** is safely and assuredly inserted to its optimal depth, and no further, and rigidly secures the two adjacent vertebrae  $T_7$  and  $T_8$  as shown in FIG. 7.

Referring to FIGS. 8 and 9, the driver cap **160** is then removed and the crown **110** and the recessed portion **108** of the distractor **100** protrude from the proximal end **157** of the extended outer sleeve **140**. The distractor **100** may now be removed from within the extended outer sleeve **140** since the extended outer sleeve **140** functions to maintain the distraction and alignment of the vertebrae  $T_7$  and  $T_8$ . The extended outer sleeve **140** is held secure by the extension member **148** inserted within the disc space  $D$  and by the prongs **149** and **150** engaging the vertebrae  $T_7$  and  $T_8$ .

A distractor puller **200** is utilized to remove the distractor **100** in the direction of arrow  $Y$  from within the disc space  $D$  leaving the extended outer sleeve **140** in place. The distractor puller **200** has front portion **202**, a mid portion **204**, and a back handle portion **206**. The front portion **202** of the distractor puller **200**, is connected to one end of shaft **210** which at its far end is connected to the back handle portion **206**. The distractor puller **200** is described in detail in copending U.S. application Ser. No. 08/074,781, entitled APPARATUS AND METHOD FOR INSERTING SPINAL IMPLANT, and is incorporated herein by reference. The socket-like front por-

tion 202 of the distractor puller 200 engages the circumferential recessed portion 108 of the distractor 100.

A cylindrical and freely movable weight 216 is fitted around shaft 210 between the front portion 202 and the rear handle portion 206 of the distractor puller 200 so as to form a slap hammer. The weight 216 of the distractor puller 200 is gently and repeatedly slid along the shaft 210 and driven rearwardly against flat surface 228 of the rear handle portion 206 to transmit a rearward vector force to front portion 202 and to the distractor 100 to which it is engaged. In this manner, the distractor 100 is removed from within the disc space D and out of the extended outer sleeve 140 without disturbing it.

Referring to FIG. 10, once the distractor 100 has been completely removed from within the extended outer sleeve 140 and from within the disc space D, the extension member 148 remains within the disc space D and the prongs 149 and 150 rigidly maintain the appropriate distraction and the relative position of the adjacent vertebrae  $T_7$  and  $T_8$ . The remainder of the procedure occurs entirely through the extended outer sleeve 140 and the space therein is sealed off from any of the organs of the chest.

Referring to FIGS. 11 and 12, since the extended outer sleeve 140 is of a fixed length and rigid, the flat rearward surface 172 of the distal end 146 may be used as a stop to the advancement of any instruments placed through the extended outer sleeve 140, thus protecting against accidental overpenetration. Further, the extended outer sleeve 140 assures that the further procedure to be performed will occur coaxial to the disc space D and further, be symmetrical in regard to each of the adjacent vertebrae  $T_7$  and  $T_8$ .

Where it is desirable to drill a hole smaller in diameter than the spinal implant to be inserted, such as in the case where the spinal implant is threaded, an inner sleeve 242 which functions as a drill guide and spacer having a thickness which corresponds to the difference between the major and minor diameters of the spinal implant, is inserted in the proximal end 158 of the extended outer sleeve 140. The inner sleeve 242 is a hollow tubular member comprising a barrel portion 243 and a cuff portion 244 having a greater outer diameter than the barrel portion 243. The cuff portion 244 of the inner sleeve 242 seats against the flat rearward surface 172 of the extended outer sleeve 140 to prevent further insertion of the inner sleeve 242. The distal end 246 of the inner sleeve 242 extends towards but does not impact the lateral aspect of the adjacent vertebrae  $T_7$  and  $T_8$  in the interior of the extended outer sleeve 140 when fully seated. The barrel portion 243 of the inner sleeve 242 has an outer diameter that fits within the inner diameter of the extended outer sleeve 140. In the preferred embodiment, the barrel portion 243 of the inner sleeve 242 has an outside diameter in the range of 10 mm to 28 mm, with 20 mm being the preferred outer diameter, and a wall thickness in the range of 0.5 mm to 3 mm, with approximately 0.75 to 1.5 mm being the preferred thickness.

Referring to FIGS. 13-15, once the inner sleeve 242 is seated within the extended outer sleeve 140, a drill 250 connected to a handle 260 or to a drill motor (not shown), is introduced through the aperture in the proximal end 248 of the inner sleeve 242 and utilized to create a hole across the disc space D and into the adjacent vertebrae  $T_7$  and  $T_8$ . The drill 250 reams out arcs of bone which it engages from the adjacent vertebrae  $T_7$  and  $T_8$ , as well as any discal material within its path down to its predetermined and limited depth. It is appreciated that if an inner sleeve 242 is not used, the drill 250 may be placed directly into the extended outer sleeve 140 to create a hole across the disc space D and into the adjacent vertebrae  $T_7$  and  $T_8$ .

The drill shaft of drill 250 comprises an upper portion 252, a central recessed portion 254 of a smaller diameter and a lower cutting portion 256. The drill 250 has a narrow engagement portion 258, which allows it to be affixed to a driving mechanism which may be either a manual unit such as, handle 260, or a power unit such as an electric drill motor. The upper portion 252 has a plurality of grooves 261 for engaging a circumferential collar 262 of an increased diameter which serves to limit the depth of penetration of the drill 250 and may be fixed, or lockably adjustable.

Referring to FIG. 15, a cross sectional view of the circumferential collar 262 is shown engaging the upper portion 252 of the shaft of drill 250. The collar 262 comprises diametrically opposite first and second flanges 264 and 266. The first and second flanges 264 and 266 are pivotably attached to the collar 262 by first and second pins 268 and 270 and spring biased by first and second spring 272 and 274. The first and second flanges 264 and 266 of the collar 262 are contoured to correspond to the curvature of the upper portion 252 of the drill 250. The first and second flanges 264 and 266 engage one of the grooves 261 when in the full biased position as shown in FIG. 15. To disengage the grooves 261, the first and second 264 and 266 are compressed together by the surgeon such that the first and second springs 272 and 274 are compressed and the first and second flanges 264 and 266 pivot away from the upper portion 252 of the shaft, such that the collar 262 can slide along the upper portion 252 of the drill 250. The first and second flanges 264 and 266 of the collar 262 are oriented opposite each other and need to be compressed together in order to disengage the grooves 261. The compression of one of the flanges 264 and 266 alone will not disengage the collar 262 from the grooves 261. In this manner, collar 262 can not become accidentally disengaged during the rotation of the drill 250.

While it is believed that this mechanism is entirely novel, it is appreciated that various mechanisms to lockably adjust drills are well-known to those skilled in the art. Such mechanisms include, but are not limited to, the use of collets, threaded shafts with lock nuts, and flanges engaging grooves forced therein by either a cap pulled over the flanges or screwed down upon them.

Referring to FIGS. 13 and 14, in the preferred embodiment, the forward cutting edge 280 of drill 250 is a four cutting edge end mill modification of a large fluted drill design. The cutting portion 256 of the drill 250 resembles an end cutting mill which may contain any workable number of cutting surfaces, but preferably four or more, that are relatively shallow such that the advancement of the drill 250 occurs more slowly. The cutting portion 256 of the drill 250 may be of a different diameter depending on the type of spinal implant that is being inserted. If the spinal implant being inserted is threaded, the outside diameter of the cutting portion 256 of the drill 250 would generally correspond to the minor diameter of the threaded implant. The inner sleeve 242 has an inner diameter slightly greater than the minor diameter of a threaded implant and its outer diameter is slightly smaller than the inside diameter of the extended outer sleeve 140 which has the same outer diameter as the major diameter (with threads) of the threaded implant. If the implant is not threaded, the outside diameter of the drill 250 corresponds to the inside diameter of the extended outer sleeve 140 such that a hole the maximum diameter of the extended outer sleeve may be drilled.

The inner sleeve 242 serves many functions. First, it provides an intimate drill guide for drill 250 in the event a smaller diameter hole is to be drilled than that of the inside diameter of the extended outer sleeve 140. Second, since the inner sleeve 242 guides the drill 250, it allows for the extended

15

outer sleeve **140** to have an internal diameter large enough to admit a threaded implant, which is larger in diameter than the outer diameter of the drill **240**.

If a larger extended outer sleeve **140** were utilized absent the inner sleeve **242**, then the drill **250** would be free to wander within the confines of that greater space and would not reliably make parallel cuts removing equal portions of bone from the adjacent vertebrae  $T_7$  and  $T_8$ . Further, the bone removal not only needs to be equal, but must be correctly oriented in three dimensions. That is, the path of the drill **250** must be equally centered within the disc space, parallel the endplates, and perpendicular to the long axis of the spine dissecting the disc space D.

A further purpose of the inner sleeve **242** is that it may be removed simultaneously with the drill **250**, thereby trapping the debris, both cartilaginous and bony, generated during the drilling procedure. The debris is guided rearward by the large flutes **251** of the lower cutting portion **256** and is collected around the central recessed portion **254** and then contained and between the recessed portion **254** and the inner wall of the inner sleeve **242**. Thus, by removing the drill **250** in conjunction with the inner sleeve **242**, much of the debris generated by the drilling procedure is safely removed from the drilling site.

Referring to FIG. 17, once the drill **250** and the inner sleeve **242** are removed from the extended outer sleeve **140** a cylindrical hole **290** remains across the disc space D and into the two adjacent vertebrae  $T_7$  and  $T_8$ . The cylindrical hole **290** is oriented across the transverse width W of the vertebrae  $T_7$  and  $T_8$  in which an implant of appropriate diameter is to be implanted. The proper distraction and orientation of the two adjacent vertebrae  $T_7$  and  $T_8$  is maintained by the extension member **148** and the prongs **149** and **150** of the extended outer sleeve **140**.

The cylindrical hole **290** may then be irrigated and vacuumed through the extended outer sleeve **140** to remove any remaining debris from the drilling. If necessary, a thrombin soaked sponge may be inserted through the extended outer sleeve **140** and into the cylindrical hole **290** to coagulate any bleeding. The thrombin soaked sponge is then removed and the surgeon utilizing an endoscope then visually inspects the cylindrical hole **290** for any remaining discal material, and removes any such material requiring such removal with a surgical instrument such as a curette or rongeur.

Referring to FIG. 18, with the extended outer sleeve **140** still in place, the surgical site is now fully prepared to receive a spinal implant I for fusion of the vertebrae  $T_7$  and  $T_8$ . The spinal implant I may be coated with, and/or made of, and/or loaded with substances consistent with bony fusion which may promote bone growth and/or fusion prior to being implanted. Examples of such fusion promoting substances include, but are not limited to, bone, bone morphogenetic protein, hydroxyapatite, hydroxyapatite tricalcium phosphate, and coral. Once the spinal implant I has been prepared for implantation, a driver instrument, such as driver **300** may be used to either insert or to remove spinal implant I. Driver **300** has at its distal end **302**, a rectangular protrusion **304**, which intimately engages the complimentary rectangular slot in the rear of implant I. Extending from the rectangular protrusion **304** is threaded portion **306**, which extends as a rod through hollow shaft **308** and hollow barrel portion **310** to knob **312** where it can be rotationally controlled. Threaded portion **306** screws into a threaded aperture in the spinal implant I and binding them together such that driver **300** can be rotated via paired and diametrically opposed extending arms **314** and **316** and in either direction while maintaining contact with the spinal implant I.

16

Affixed to the driver **300**, the spinal implant I is then introduced through the extended outer sleeve **140** and if the spinal implant I is threaded, screwed into the cylindrical hole **290** between the two vertebrae  $T_7$  and  $T_8$  until such time as the leading edge of the implant cap **318** reaches the depth of the cylindrical hole **290** at which time its forward motion is impeded by the bone lying before it which had not been drilled out. This allows for a progressive feel to the surgeon as the spinal implant I is inserted into place. It is appreciated that if the spinal implant I is not threaded, instead of being screwed into hole **290**, it may be linearly advanced into hole **290** by pushing the driver **300** toward the hole **290**.

The terminal resistance to further seating provides significant tactile feedback to the surgeon. Visual monitoring of the depth of insertion of the spinal implant I is provided to the surgeon by observing the progressive approximation of the forward surface **320**, of barrel portion **310**, as it approaches the rearward facing surface **172** of extended outer sleeve **140** and/or by the use of an image intensifier. As a final safety mechanism, when the full depth of insertion has been achieved, forward surface **320** of instrument **350** will abut surface **172** of the extended outer sleeve **140**, prohibiting any further installation of the implant. Once the spinal implant I has been fully installed, the driver **300** is dissociated from the implant by turning knob **312** in a counterclockwise direction. The driver **300** is then withdrawn from the extended outer sleeve **140**.

Referring to FIG. 19, the spinal implant I is shown fully installed to the determined depth in the cylindrical hole **290** drilled across the disc space D and into the adjacent vertebrae  $T_7$  and  $T_8$ . The spinal implant I shown comprises a hollow tubular member which in the preferred embodiment is made of an ASTM surgically implantable material, preferably titanium. However, it is appreciated that other implants, cylindrical or partially cylindrical, or of a variety of shapes, and with or without threads or surface roughenings may be used with the instrumentation and method of the present invention.

Referring to FIGS. 20 and 21, an extractor cap **340** for removing the extended outer sleeve **140** is shown about to be coupled to the extended outer sleeve **140**. The extractor cap **340** engages the proximal end **157** of the extended outer sleeve **140** by spring tabs **342a** and **342b** on either side of extractor cap **340** which snap-fit into openings **344a** and **344b** on either side of the extended outer sleeve **140** to lock in place. The extractor cap **340** has a top **346** that is similar in structure to the proximal end of the distractor **100**, having a recess portion **350** and a crown portion **352**.

Referring to FIG. 22, once the extractor cap **340** is coupled to the extended outer sleeve **140**, the distractor puller **200** is coupled to the top **346** of extractor cap **340** to remove the extended outer sleeve **140** from the disc space D and from the adjacent vertebrae  $T_7$  and  $T_8$  in the direction of the arrow Z.

Referring to FIG. 23, once the extended outer sleeve **140** has been removed, the spinal implant I remains implanted within the cylindrical hole **290** drilled across the disc space D and the implant engages the two adjacent vertebrae  $T_7$  and  $T_8$ .

Referring to FIG. 24, the spinal implant I may be further stabilized with use of a spinal fixation device **400** such as the staple disclosed in copending U.S. application Ser. No. 08/219,626 entitled APPARATUS, INSTRUMENTATION AND METHOD FOR SPINAL FIXATION, which is incorporated herein by reference. The spinal fixation device **400** is coupled to the spinal implant I with a locking screw **416** and engages the vertebrae  $T_7$  and  $T_8$  via prongs **420** and **422**. The spinal fixation device **400** functions to stabilize the spinal implant I and prevent any unwanted excursion of the spinal implant I during the spinal fusion process. It is appreciated

17

that prior to removal of the extended outer sleeve **140**, a centering post (not shown) may be inserted through the extended outer sleeve **140** and attached to the threaded opening in the back of the spinal implant **I**. The extended outer sleeve **140** is then removed and the centering post functions as

guide to align the spinal fixation device **400** as it is being driven into the vertebrae  $T_7$  and  $T_8$  as described in detail in the copending application referenced immediately above.

In the above description in regard to the thoracic spine, the surgical procedure has been described as being performed through a hollow tube (extended outer sleeve **140**) and with the aid of a thoroscope. It is appreciated that there may be circumstances where the surgeon will elect to perform the surgical procedure through an incision, such as a thoracotomy, where direct visualization of the surgical site is possible obviating the need for the thoroscope but without diminishing the teaching of the method of the present invention. In such cases, a modification of the extended outer sleeve **140**, such as the extended outer sleeve **1100** shown in FIG. **35** and described in detail below, having a detachable distal end may be beneficially utilized by the surgeon. In this manner, the surgeon has direct visualization of the surgical site while the proper distraction and alignment of the adjacent vertebrae is maintained throughout the procedure by the distal end of the extended outer sleeve.

While the present invention has been described in association with the insertion of a threaded spinal implant, it is recognized that other forms of implants may be used with the present method. For example, dowels, made from bone, coral or artificial materials, knurled or irregularly shaped cylinders or spheres, partial cylinders or any other shaped implants that can be introduced through the extended outer sleeve **140**, which itself need not be cylindrical may be used.

When such implants are used, it is appreciated that the steps of the method of the present invention described above may be reduced. For example, once the extended outer sleeve **140** has been seated such that the extension portion **148** is inserted in the disc space **D** and the prongs **149** and **150** engage the adjacent vertebrae, the step of inserting the inner sleeve **242** may be omitted and a drill having a diameter approximating that of the inner diameter of the extended outer sleeve **140** may be used to drill a hole the size of the inner diameter of the extended outer sleeve **140** across the disc space **D** and into the adjacent vertebrae. Once the drill has been removed, any remaining discal material or debris may be removed by irrigating and vacuuming the hole, and an implant such as a bone dowel or an implant without threads, may be linearly advanced through the extended outer sleeve **140** and implanted into the hole. The extended outer sleeve **140** is then removed in the same manner described above. Where the implant shape is generally not circular, an appropriately shaped chisel may be used by itself or in conjunction with a drill to prepare an opening for the fusion implant that is other than round.

It is further appreciated that it is also within the scope of the present invention to provide a method and instrumentation for the insertion of a spinal implant into the disc space between two adjacent vertebrae, without the drilling away of significant bone from the vertebrae. Such implants may have a height corresponding to the height of a disc space **D** and may be pushed into the disc space **D** when distracted once the disc space **D** has been cleaned out. This type of implant would preferably have in part a rectangular cross section and an extended outer sleeve used for the insertion of such implants would have a corresponding cross section and shape. Further, it is appreciated that the extended outer sleeve and inner sleeve of the present invention may have any shape or size

18

corresponding to the shape and size of the implant to be inserted without departing from the scope of the present invention.

While the above description has been directed to the thoracic spine, the method and instrumentation of the present invention may also be utilized in the lumbar spine. In the preferred method, the surgeon makes a small incision in the abdominal wall and gently dissects his way retroperitoneal to reach the lateral aspect of the spine. As with the thorascopic method described above, the surgeon may use an endoscope within and/or outside of the extended outer sleeve to facilitate the surgery, and thereby require an incision barely larger than the diameter of the extended outer sleeve which itself is not much larger than the implant.

Referring to FIG. **25**, an extended outer sleeve **1000** for use with the lateral method in the lumbar spine is shown. The extended outer sleeve **1000** is similar to the extended outer sleeve **140** described above and comprises a hollow tubular member **1002** having a distal end **1010** which is contoured to hug the vertebrae, for example  $L_4$  and  $L_5$ . The extended outer sleeve **1000** has anterior and posterior extension members **1020** and **1022**, each having different heights, that are opposed 180 degrees from each other. Also extending from the distal end **1010** may be prongs **1012** and **1014**, similar to prongs **149** and **150** described above, for engaging the bone of the adjacent vertebrae  $L_4$  and  $L_5$ . The extension members **1020** and **1022** are tapered at their leading edges **1024** and **1026** respectively, to facilitate insertion.

As shown in FIGS. **26-28**, the extended outer sleeve **1000** is designed to be used in approaching the lumbar spine laterally from either side of the spinal column. The extended outer sleeve **1000** by means of its extended portions **1020** and **1022** is capable of correcting those spinal deformities, such as scoliosis or any abnormality of kyphosis or lordosis, occurring specifically from a deformity of the disc. For example, in order to restore lordosis in the lumbar spine, the anterior extension member **1020** is placed anteriorly between the adjacent vertebrae  $L_4$  and  $L_5$  and the posterior extension member **1022**, having a lesser height than the extension member **1020**, is placed posteriorly. The greater height of the extension member **1020** relative to the extension member **1022** maintains the anterior portions of the vertebrae  $L_4$  and  $L_5$  spaced apart at a greater distance than the posterior portions of the vertebrae  $L_4$  and  $L_5$  producing an angular relationship between the bodies as would exist with naturally occurring physiologic lordosis. Once restored, lordosis is maintained throughout the surgical procedure.

Scoliosis refers to an abnormal curving of the spine when viewed from straight ahead or behind. Since the extension members **1020** and **1022** may be of a specific and constant height throughout their entire lengths, both sides of the disc space **D** are lifted to exactly the same height, thus eliminating any side to side angular deformity occurring through that disc space.

Referring specifically to FIG. **26**, it can be appreciated that the posterior extension member **1022** effectively prevents any injury to the dural sac and neural elements, while the anterior extension member **1020** in a similar fashion, protects the great blood vessels including the aorta, vena cava and the iliac arteries and veins. As the extended outer sleeve **1000** of the present invention is quite stable once inserted, the preferred embodiment is shown as having only two prongs **1012** and **1014**, one each to engage each of the adjacent vertebrae  $L_4$  and  $L_5$ . It is, however, understood that the extended outer sleeve **1000** may have more or less prongs or none at all. The distal end **1010** of the tubular member **1002** is contoured adjacent the origin of the anterior and posterior extended

members **1020** and **1022** so as to assure an intimate fit between the tubular member **1002** and the vertebrae  $L_4$  and  $L_5$  adjacent the disc space  $D$  to which it is opposed, and for the purpose of confining the surgery to within the extended outer sleeve **1000** and excluding the adjacent soft tissues from potential injury. In the preferred embodiment, the distal end of the tubular member **1002** and the anterior and posterior extended members **1020** and **1022** themselves have been reinforced, that is are thicker than the adjacent tubular member **1002** itself so as to provide for increased support within the lumbar spine.

Referring still to FIG. **26**, the extended outer sleeve **1000** engages the spine laterally, although the surgical approach in reaching the spine may be from an anterior, lateral, or anterior-lateral incision on the outside of the body, and is herein after referred to as the "Lateral Method". The "Lateral Method" involves the insertion of a distractor, such as, but not limited to the distractor **100** described above into the lateral aspect of the spine, and generally from a side to side direction although said direction could be slightly from anterolateral to slightly posterolateral (diagonalized from the transverse axis) without departing from the teaching of the method of the present invention to distract the adjacent vertebrae, in this example,  $L_4$  and  $L_5$ . Once the distractor **100** is in place, if fusion alone is to be performed, then the extended outer sleeve **1000** having both anterior and posterior extension members **1020** and **1022** is utilized. The extended outer sleeve **1000** is placed over the distractor **100** such that the posterior extension member **1022** is positioned at the posterior aspect of the spine and the anterior extension member **1020** is positioned at the anterior aspect of the spine. Once the extended outer sleeve **1000** is in place, the distractor **100** is removed. Alternatively, it is appreciated that the "Lateral Method" may be performed without the use of a distractor. Instead, the extended outer sleeve **1000** may be inserted from the lateral aspect of the spine directly since the extension members **1020** and **1022** function to distract the adjacent vertebrae  $L_4$  and  $L_5$  to restore and maintain the normal angular relationship of those vertebrae  $L_4$  and  $L_5$ .

If the implant to be inserted has surface irregularities such that there is a major diameter (including the surface irregularities) and a minor diameter (excluding the surface irregularities), then an inner sleeve **1040** similar to the inner sleeve **242** described above, may be inserted into the extended outer sleeve **1000**. The inner sleeve **1040** functions as a drill guide and spacer having a thickness which corresponds to the difference between the major and minor diameters of such implant as described in detail above in reference to an inner sleeve **1040**. A drill **250**, described above, is inserted into the inner sleeve **1040** and is used to drill the vertebrae with the inner sleeve **1040** providing a more intimate fit to the drill **250**, than the larger bore of the extended outer sleeve **1000** could have alone and thus more precisely controlling the path of the drill **250**. The inner sleeve **1040** and the drill **250** may be removed from the extended outer sleeve **1000** together thus trapping and removing much of the debris produced by the actual drilling. It is appreciated that in the alternative, a drill (not shown) may be used such that the distal bone engaging portion has an outside diameter generally corresponding to the minor diameter of the implant and more proximally, a shaft portion with a larger diameter generally corresponding to the major diameter of the implant. An implant **I** may then be inserted according to the method described above. If the implant to be inserted does not have a major and minor diameter, then no inner sleeve is required, and the drill **250**

having a diameter corresponding with the diameter of such an implant may be inserted directly into extended outer sleeve to drill the vertebrae  $L_4$  and  $L_5$ .

While not considered the preferred method under most circumstances it is nevertheless anticipated that one could drill the described hole across the disc space and into each of the adjacent vertebrae from the lateral aspect of the spine and in at least a partially side to side direction through the extended outer sleeve and then remove the extended outer sleeve and insert at least one spinal implant also from the lateral aspect of the spine and in an at least a partially side to side direction and with or without the use of some form of spinal distractor. In which circumstance the use of an inner sleeve is of less importance than that the size of the opening created is sufficient such that it is possible to insert the implant. To that end and independent of whether the extended outer sleeve is left in place for implant insertion, and whether an inner sleeve is used during drilling it is anticipated and should be appreciated that the extended outer sleeve and opening may be of a variety of shapes and that the creation of spaces of varied shapes across a disc and within the spine may be achieved by use of an instrument appropriate for the surgical removal of spinal material, such as a chisel or a router, and with or without the use of a drill, and/or an inner sleeve, and/or an extended outer sleeve; and with the essential element being that the space within the spine is being created across a disc intermediate two adjacent vertebrae from the lateral aspect of said disc and at least in part in a from side to side direction and that an implant is then inserted also from the lateral aspect of said disc which implant occupies at least in part said space, engages at least in part each of the vertebrae adjacent said disc space and comes to lie in an at least partially side to side direction across said disc space.

Referring to FIGS. **29** and **30**, the implants **I** and **J** are shown inserted across the disc spaces  $D$  between vertebrae  $L_3$ ,  $L_4$  and  $L_5$ , respectively. FIG. **30** is a top sectional view along lines **30-30** of FIG. **29** showing the area of contact of the implant **I** and the vertebrae  $L_4$ . It can be seen from FIG. **30** that the implant **I** has a true lateral orientation with respect to the vertebra  $L_4$ , such that there is a great area of contact between the implant **I** and the vertebra  $L_4$ .

Referring to FIG. **30A**, a top sectional view of a vertebra similar to FIG. **30** is shown illustrating the area of contact of the implant **I** and the vertebrae  $L_4$  when the implant **I** is inserted with the "Lateral Method" of the present invention from a slightly anterior position (anterolateral) along the Lateral aspect of the spine and in an at least partially side to side direction.

Referring to FIGS. **31** and **32**, illustrating the prior art method, two implants **1050** and **1052** are inserted from the anterior or posterior aspect of the spine so that they are oriented in an anterior to posterior direction across the disc space  $D$  and vertebrae  $L_4$  and  $L_5$ . It can be seen that implants **1050** and **1052** must have a much smaller diameter than implant **I** to fit within the width of the spine and therefore have very small areas of engagement to the vertebrae themselves as most of the diameter of the implants is used in just spanning across the height of the disc before contacting said vertebrae. FIG. **32** is a top sectional view along lines **32-32** of FIG. **31** showing the area of contact of the two spinal implants **1050** and **1052** and the vertebra  $L_5$ .

Referring to FIG. **33**, a top sectional view showing the area of contact of a cylindrical spinal implant **1090** having the same diameter as implant **I** shown in FIG. **30**, inserted from the anterior to posterior direction across the vertebra  $L_5$  is shown and seen to have by necessity a much shorter length.

Referring to FIGS. 30 and 32-33, it can then be appreciated that an implant I inserted from the lateral aspect of the spine may have a diameter almost as great as the depth of the spine from front to back at that location unlike two implants such as implants 1050 and 1052 inserted side by side from front to back or the reverse where each implant can have a diameter no greater than one half the width of the spine at that level. It can further be appreciated that while the height of the disc space itself hardly affects the area of contact of the single large implant I with the adjacent vertebrae, it substantially effects the area of contact of the two implants 1050 and 1052 inserted in the front to back directions side by side. Further, as the lumbar vertebrae and discs are much wider from side to side than they are deep from front to back, it can be appreciated that when single implants of the same diameter are inserted across a given lumbar disc, the laterally inserted implant I may be of a much greater length and thus have more area of contact, for stability and fusion than implant 1090 inserted from anterior to posterior.

Referring to FIG. 34, a segment of the spinal column having single implants 1095 and 1096 inserted from front to back at adjacent disc levels between three vertebrae  $V_{1-3}$  is shown. As it can be seen in FIG. 34, it is generally not possible to increase the diameter of singular implants inserted from front to back without risking severe structural and vascular damage to that area of the spine. Implants 1095 and 1096 each have a diameter that is substantially greater than the diameter of implant 1090, such that implants 1095 and 1096 could in theory have a greater area of contact with the adjacent vertebrae than implant 1090. However, in application, as a result of the larger diameter of the implants 1095 and 1096, a large portion of bone from the adjacent vertebrae would have to be removed to accommodate the large diameter of each of the implants 1095 and 1096 which would significantly weaken the structural integrity of those vertebrae. This is especially a problem when as shown in FIG. 34, implants 1095 and 1096 are inserted at adjacent disc levels such that the intermediate vertebrae  $V_2$  would be cut in half to form a "butterfly" pattern resulting in the complete loss of the structural integrity of vertebrae  $V_2$ .

Thus, the implant I of the present invention inserted laterally provides for greater surface area of contact, the largest volume of fusion promoting material, and the greatest mechanical engagement and thus stability, and is therefore an improvement upon other methods of implant insertion in facilitating a successful fusion.

Referring to FIG. 35, an alternative embodiment of the extended outer sleeve is shown and generally referred to by the numeral 1100. As only a single relatively small incision (approximately three inches or less) is required through the abdominal wall of the patient to perform the procedure for the fusion of two vertebrae adjacent a disc space in the lumbar spine, it is anticipated that the surgeon may prefer to perform the method of the present invention under direct vision, without the need for an endoscope. In such a circumstance, a convertible extended outer sleeve 1100 may be used. The convertible extended outer sleeve 1100 may be similar in structure to the extended outer sleeve 1000, except that it comprises a hollow tubular member 1102 that is disengageable from the distal end portion 1104 of the convertible extended outer sleeve 1100. As shown in FIG. 35 the extended outer sleeve 1100 has a detachable hollow tubular member 1102. The vertebrae engaging distal end portion 1104 may be as shown in FIG. 35 or may be similar to the distal end shown previously in FIG. 7A, such that the convertible extended outer sleeve 1100 may be useable throughout the spine.

The convertible extended outer sleeve 1100 is inserted in the disc space D and the adjacent vertebrae  $L_4$  and  $L_5$  as described above for the extended outer sleeve 1000. Once the extension member 1120 is seated in the disc space D and the prongs 1112 and 1114 are engaged to the vertebrae  $L_4$  and  $L_5$ , the hollow tubular member 1102 may be dissociated from the distal end portion 1104 which remains engaged to the vertebrae  $L_4$  and  $L_5$ . In this manner, if an incision is made to access the spine directly, the surgeon may access the disc space D through the distal end portion 1104 which is closer to the spine, without having to pass through the entire length of the convertible extended outer sleeve 1100. With the distal end portion 1104 in place, the vertebrae remain distracted and aligned, and since the hollow tubular member 1102 has been removed, it is then possible for the surgeon to work in and around the spine under direct vision. The shortened distal end portion 1104 of the convertible extended outer sleeve 1100 left protruding from the adjacent vertebrae may be selected to be of a length such that it still serves to offer some protection to the large blood vessels which are safely positioned outside of the remaining working channel. Alternatively it can be of any length so as to fulfill the surgeon's purposes. The hollow tubular member 1102 may be re-engaged to the distal end portion 1104 for inserting an implant I in the manner described above.

In the specific embodiment of the convertible extended outer sleeve 1100, the distal end portion 1104 has a single extension member 1120 and two prongs 1112 and 1114 positioned approximately 120 degrees from the extension member 1120 for engaging the two adjacent vertebrae  $L_4$  and  $L_5$ , for the purpose of allowing the surgeon direct access to the spinal canal. Thus, if a discectomy is to be performed, an extended outer sleeve having a single anterior intradiscal extended member 1120, but without a posterior extended member, and with two vertebrae engaging prongs 1112 and 1114 may be used.

It is appreciated that for surgery on the thoracic spine, while the method described above wherein the entire procedure is performed through the extended outer sleeve 140 is preferred, it is also possible to utilize the convertible extended outer sleeve 1100 when a full thoracotomy is made to access the thoracic spine without having to work through the entire length of the extended outer sleeve. In this manner the surgeon may directly visualize and access the surgical site.

Further, combining the features of the absence of any posterior intradiscal extended member with the convertible extended outer sleeve 1100 permits easy and direct access to the spinal canal for removal of any diseased discal material.

While the present invention has been described in detail with regards to the preferred embodiments, it is appreciated that other variations of the present invention may be devised which do not depart from the inventive concept of the present invention.

What is claimed is:

1. An instrument kit for use in performing surgery on a spinal segment including a disc space and two vertebral bodies adjacent the disc space, said kit comprising:
  - a guard having a passage therethrough for providing protected access to the disc space and the adjacent vertebral bodies, said guard having at least one projection extending distally from a distal end of said guard, said distal end adapted to contact each of the vertebral bodies adjacent the disc space to be fused, said at least one projection adapted to penetrate the disc space so as to be located at least in part between the perimeters of the vertebral bodies where adjacent to the disc space, said at least one projection having opposed portions adapted to

## 23

contact at least a portion of each of the adjacent vertebral bodies, respectively, from within the disc space;  
 a spinal implant adapted to be inserted through said passage of said guard and at least in part into the disc space, said implant having opposed surfaces each adapted to contact one each of the adjacent vertebral bodies, each of said opposed surfaces having at least one opening to permit for the growth of bone from adjacent vertebral body to adjacent vertebral body through said implant; and

an endoscope for visualizing the position of at least a portion of at least one of said guard and said implant relative to the vertebral bodies.

2. The instrument kit of claim 1, wherein said endoscope is a thoracoscope.

3. The instrument kit of claim 1, further comprising a spinal distractor for temporarily positioning two adjacent vertebral bodies in selected relationship to restore the height of the disc space therebetween.

4. The instrument kit of claim 3, wherein said endoscope is adapted to visualize the position of at least a portion of said distractor relative to the vertebral bodies.

5. The instrument kit of claim 1, wherein said guard further comprises at least a second projection extending distally from the distal end of said guard adapted to penetrate the disc space so as to be located at least in part between the perimeters of the vertebral bodies where adjacent the disc space, said at least second projection having opposed portions adapted to contact at least a portion of each of the adjacent vertebral bodies, respectively, from within the disc space.

6. The instrument kit of claim 1, wherein said guard includes teeth for insertion into the spine.

7. The instrument kit of claim 1, wherein said guard includes at least one prong for insertion into the spine.

8. The instrument kit of claim 1, wherein said projection is at least in part co-linear with an outer perimeter of said guard.

9. The instrument kit of claim 1, further comprising a bone removal device adapted to remove bone from at least one of the adjacent vertebral bodies to form an opening across the disc space.

10. The instrument kit of claim 9, wherein said endoscope is adapted to visualize the position of at least a portion of said bone removal device relative to the vertebral bodies.

11. The instrument kit of claim 9, wherein said bone removal device is one of a drill, a mill, and a trephine.

12. The instrument kit of claim 1, further comprising a tap adapted to create a thread in an opening formed across the disc space.

13. The instrument kit of claim 12, wherein said endoscope is adapted to visualize the position of at least a portion of said tap relative to the vertebral bodies.

14. The instrument kit of claim 1, wherein said implant comprises at least in part one of bone, coral, and artificial material.

15. The instrument kit of claim 1, wherein said implant is in the shape of one of a cylinder, a partial cylinder, and a dowel.

16. The instrument kit of claim 1, wherein said implant is in combination with a fusion promoting substance.

17. The instrument kit of claim 16, wherein said fusion promoting substance includes at least one of bone, bone morphogenetic protein, hydroxyapatite, hydroxyapatite tricalcium phosphate, and coral.

18. The instrument kit of claim 16, wherein said implant is coated with said fusion promoting substance.

19. The instrument kit of claim 1, further comprising spinal fixation hardware.

## 24

20. The instrument kit of claim 19, wherein said spinal fixation hardware includes a staple.

21. An instrument kit for use in performing surgery on a spinal segment including a disc space and two vertebral bodies adjacent the disc space, said kit comprising:

a guard having a passage therethrough opening for providing protected access to the disc space and the adjacent vertebral bodies said guard having at least one projection extending distally from a distal end of said guard, said distal end adapted to contact each of the vertebral bodies adjacent the disc space to be fused, said at least one projection adapted to penetrate the disc space so as to be located at least in part between the perimeters of the vertebral bodies where adjacent to the disc space, said at least one projection having opposed portions adapted to contact at least a portion of each of the adjacent vertebral bodies, respectively, from within the disc space;

a spinal implant adapted to be inserted through said passage of said guard and at least in part into the disc space, said implant having rigid opposed surfaces each adapted to contact one each of the adjacent vertebral bodies; and  
 an endoscope for visualizing the position of at least a portion of at least one of said guard and said implant relative to the vertebral bodies.

22. The instrument kit of claim 21, wherein said endoscope is a thoracoscope.

23. The instrument kit of claim 21, further comprising a spinal distractor for temporarily positioning two adjacent vertebral bodies in selected relationship to restore the height of the disc space therebetween.

24. The instrument kit of claim 21, wherein said endoscope is adapted to visualize the position of at least a portion of said distractor relative to the vertebral bodies.

25. The instrument kit of claim 21, wherein said guard further comprises at least a second projection extending distally from the distal end of said guard adapted to penetrate the disc space so as to be located at least in part between the perimeters of the vertebral bodies where adjacent the disc space, said at least second projection having opposed portions adapted to contact at least a portion of each of the adjacent vertebral bodies, respectively, from within the disc space.

26. The instrument kit of claim 21, wherein said guard includes teeth for insertion into the spine.

27. The instrument kit of claim 21, wherein said guard includes at least one prong for insertion into the spine.

28. The instrument kit of claim 21, wherein said projection is at least in part co-linear with an outer perimeter of said guard.

29. The instrument kit of claim 21, further comprising a bone removal device adapted to remove bone from at least one of the adjacent vertebral bodies to form an opening across the disc space.

30. The instrument kit of claim 29, wherein said endoscope is adapted to visualize the position of at least a portion of said bone removal device relative to the vertebral bodies.

31. The instrument kit of claim 29, wherein said bone removal device is one of a drill, a mill, and a trephine.

32. The instrument kit of claim 21, further comprising a tap adapted to create threads in an opening formed across the disc space.

33. The instrument kit of claim 32, wherein said endoscope is adapted to visualize the position of at least a portion of said tap relative to the vertebral bodies.

34. The instrument kit of claim 21, wherein said implant is a spinal fusion implant.



**25**

**35.** The instrument kit of claim **21**, wherein said implant comprises at least in part one of bone, coral, and artificial material.

**36.** The instrument kit of claim **21**, wherein said implant is in the shape of one of a cylinder, a partial cylinder, and a dowel.

**37.** The instrument kit of claim **21**, wherein said implant is in combination with a fusion promoting substance.

**38.** The instrument kit of claim **37**, wherein said fusion promoting substance includes at least one of bone, bone mor-

**26**

phogenetic protein, hydroxyapatite, hydroxyapatite tricalcium phosphate, and coral.

**39.** The instrument kit of claim **37**, wherein said implant is coated with said fusion promoting substance.

**40.** The instrument kit of claim **21**, further comprising spinal fixation hardware.

**41.** The instrument kit of claim **40**, wherein said spinal fixation hardware includes a staple.

\* \* \* \* \*

UNITED STATES PATENT AND TRADEMARK OFFICE  
**CERTIFICATE OF CORRECTION**

PATENT NO. : 8,066,705 B2  
APPLICATION NO. : 10/371757  
DATED : November 29, 2011  
INVENTOR(S) : Gary Karlin Michelson

Page 1 of 1

It is certified that error appears in the above-identified patent and that said Letters Patent is hereby corrected as shown below:

Title Page 1, Item (56) References Cited, Column 2:

Line 7: change "Moreira" to -- De G. Moreira --.

Title Page 2, Item (56) References Cited, Column 1:

Line 44: change "Entherly" to -- Eatherly --.

Title Page 3, Item (56) References Cited, Column 2:

Line 60: change "Spina Stenosis" to -- Spinal Stenosis --.

Title Page 4, Item (56) References Cited, Column 1:

Line 25: change "118-1129" to -- 1115-1129 --.

Title Page 5, Item (56) References Cited, Column 1:

Line 24: change "Nuvasive, Inc.:" to -- Nuvasive, Inc.; --;  
Line 28: change "Appendix 6.4," to -- Appendix B.4, --; and  
Line 30: change "Appendix 13.10," to -- Appendix B.10, --.

Title Page 5, Item (56) References Cited, Column 2:

Line 18: change "Neural.," to -- Neurol., --.

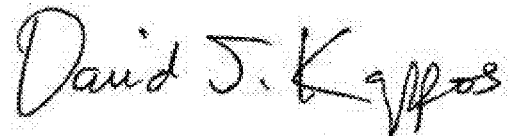
Title Page 6, Item (56) References Cited, Column 2:

Line 4: change "No. 3" to -- No. 3, p. 535-558 --.

Column 23:

Line 41: change "endo scope" to -- endoscope --.

Signed and Sealed this  
Twenty-first Day of February, 2012



David J. Kappos  
*Director of the United States Patent and Trademark Office*