



(12) **United States Patent**
Michelson

(10) **Patent No.:** **US 6,962,606 B2**
(45) **Date of Patent:** **Nov. 8, 2005**

(54) **EXPANDABLE PUSH-IN INTERBODY SPINAL FUSION IMPLANT**

(76) **Inventor:** **Gary Karlin Michelson**, 438 Sherman Canal, Venice, CA (US) 90291

(*) **Notice:** Subject to any disclaimer, the term of this patent is extended or adjusted under 35 U.S.C. 154(b) by 282 days.

(21) **Appl. No.:** **10/011,652**

(22) **Filed:** **Dec. 11, 2001**

(65) **Prior Publication Data**

US 2003/0208270 A9 Nov. 6, 2003

Related U.S. Application Data

(63) Continuation of application No. PCT/US01/03657, filed on Feb. 5, 2001.

(60) Provisional application No. 60/180,404, filed on Feb. 4, 2000.

(51) **Int. Cl.⁷** **A61F 2/44**

(52) **U.S. Cl.** **623/17.16; 623/17.11**

(58) **Field of Search** **623/17.11-17.16**

(56) **References Cited**

U.S. PATENT DOCUMENTS

- 3,875,595 A 4/1975 Froning
- 4,309,777 A 1/1982 Patil
- 4,349,921 A 9/1982 Kuntz
- 4,401,112 A 8/1983 Rezaian
- 4,501,269 A 2/1985 Bagby
- 4,553,273 A 11/1985 Wu
- 4,554,914 A 11/1985 Kapp et al.
- 4,636,217 A 1/1987 Ogilvie et al.
- 4,657,550 A 4/1987 Daher
- 4,714,469 A 12/1987 Kenna
- 4,759,769 A 7/1988 Hedman et al.
- 4,863,476 A 9/1989 Shepperd
- 4,932,975 A 6/1990 Main et al.
- 4,961,740 A 10/1990 Ray et al.
- 5,015,247 A 5/1991 Michelson
- 5,026,373 A 6/1991 Ray et al.

- 5,055,104 A 10/1991 Ray
- 5,059,193 A 10/1991 Kuslich
- 5,062,850 A 11/1991 MacMillan et al.
- 5,123,926 A 6/1992 Pisharodi
- 5,147,402 A 9/1992 Bohler et al.
- 5,171,278 A 12/1992 Pisharodi
- 5,192,327 A 3/1993 Brantigan
- 5,236,460 A 8/1993 Barber
- 5,258,031 A 11/1993 Salib et al.
- 5,263,953 A 11/1993 Bagby
- 5,290,312 A 3/1994 Kojimoto et al.
- 5,306,310 A 4/1994 Siebels
- 5,314,477 A 5/1994 Marnay
- 5,336,223 A 8/1994 Rogers
- 5,397,364 A 3/1995 Kozak et al.
- 5,439,684 A 8/1995 Prewett et al.
- 5,455,231 A 10/1995 Constantz et al.
- 5,464,439 A 11/1995 Gendler
- 5,507,813 A 4/1996 Dowd et al.
- 5,507,816 A 4/1996 Bullivant
- 5,522,899 A 6/1996 Michelson
- 5,549,679 A 8/1996 Kuslich
- 5,554,191 A 9/1996 Lahille et al.
- 5,593,409 A 1/1997 Michelson
- 5,609,635 A 3/1997 Michelson

(Continued)

FOREIGN PATENT DOCUMENTS

- CA 2151481 3/1995
- DE 44 16 605 C1 6/1995

(Continued)

OTHER PUBLICATIONS

PCT Search Report dated May 2, 2001 for International Application No. PCT/US01/03657 filed Feb. 5, 2001.

European Search Report for Application EP 01 91 0418, dated Apr. 17, 2003.

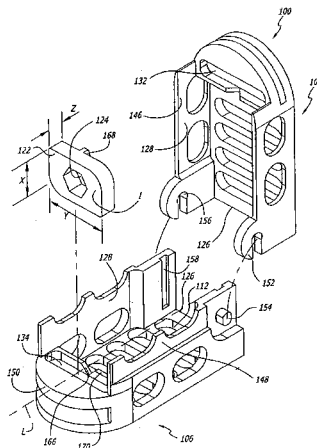
Primary Examiner—Thomas Barrett

(74) *Attorney, Agent, or Firm*—Martin & Ferraro, LLP

(57) **ABSTRACT**

A push-in interbody spinal fusion implant having an expandable height.

342 Claims, 24 Drawing Sheets



U.S. PATENT DOCUMENTS

5,653,763 A 8/1997 Errico et al.
 5,665,122 A 9/1997 Kambin
 5,693,100 A 12/1997 Pisharodi
 5,702,391 A 12/1997 Lin
 5,702,455 A 12/1997 Saggar
 5,713,904 A 2/1998 Errico et al.
 5,749,916 A 5/1998 Richelsoph
 5,776,199 A 7/1998 Michelson
 5,782,832 A 7/1998 Larsen et al.
 5,785,710 A 7/1998 Michelson
 5,800,550 A 9/1998 Sertich
 5,865,848 A 2/1999 Baker
 5,885,982 A 3/1999 Dolynchuk et al.
 5,928,284 A 7/1999 Mehdizadeh
 5,976,187 A 11/1999 Richelsoph
 5,980,522 A 11/1999 Koros et al.
 5,989,290 A 11/1999 Biedermann et al.
 6,015,436 A 1/2000 Schonhoffer
 6,019,792 A 2/2000 Cauthen
 6,039,761 A 3/2000 Li et al.
 6,045,579 A 4/2000 Hochshuler et al.
 6,080,193 A 6/2000 Hochshuler et al.
 6,087,555 A 7/2000 Dunstan et al.
 6,093,207 A 7/2000 Pisharodi
 6,102,950 A 8/2000 Vaccaro
 6,117,174 A 9/2000 Nolan
 6,126,689 A 10/2000 Brett
 6,129,763 A 10/2000 Chauvin et al.

6,176,882 B1 1/2001 Biedermann et al.
 6,183,517 B1 2/2001 Suddaby
 6,190,414 B1 2/2001 Young et al.
 6,190,880 B1 2/2001 Israel et al.
 6,193,757 B1 2/2001 Foley et al.
 6,201,039 B1 3/2001 Brown et al.
 6,375,683 B1 4/2002 Crozet et al.
 6,419,705 B1 7/2002 Erickson
 6,436,140 B1 8/2002 Liu et al.
 6,491,724 B1 12/2002 Ferree
 2002/0138146 A1 9/2002 Jackson

FOREIGN PATENT DOCUMENTS

FR 2 717 068 9/1995
 FR WO98/10722 * 3/1998 A61F/2/44
 FR 2 771 282 5/1999
 SU 1424826 A1 9/1988
 WO WO 96/27348 9/1996
 WO WO 97/00054 12/1997
 WO WO 98/34552 8/1998
 WO WO98/34568 * 8/1998 A61F/2/44
 WO WO 98/48739 11/1998
 WO WO 99/42062 8/1999
 WO WO 00/12033 3/2000
 WO WO 00/35388 6/2000
 WO WO 00/35389 6/2000
 WO WO 00/66045 11/2000
 WO WO 00/74605 12/2000

* cited by examiner

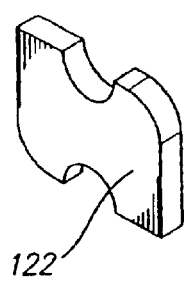


FIG. 1A

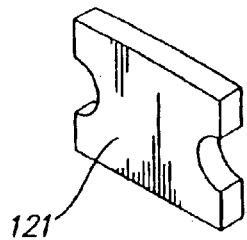


FIG. 1B

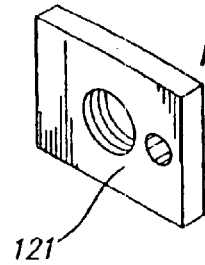


FIG. 1C

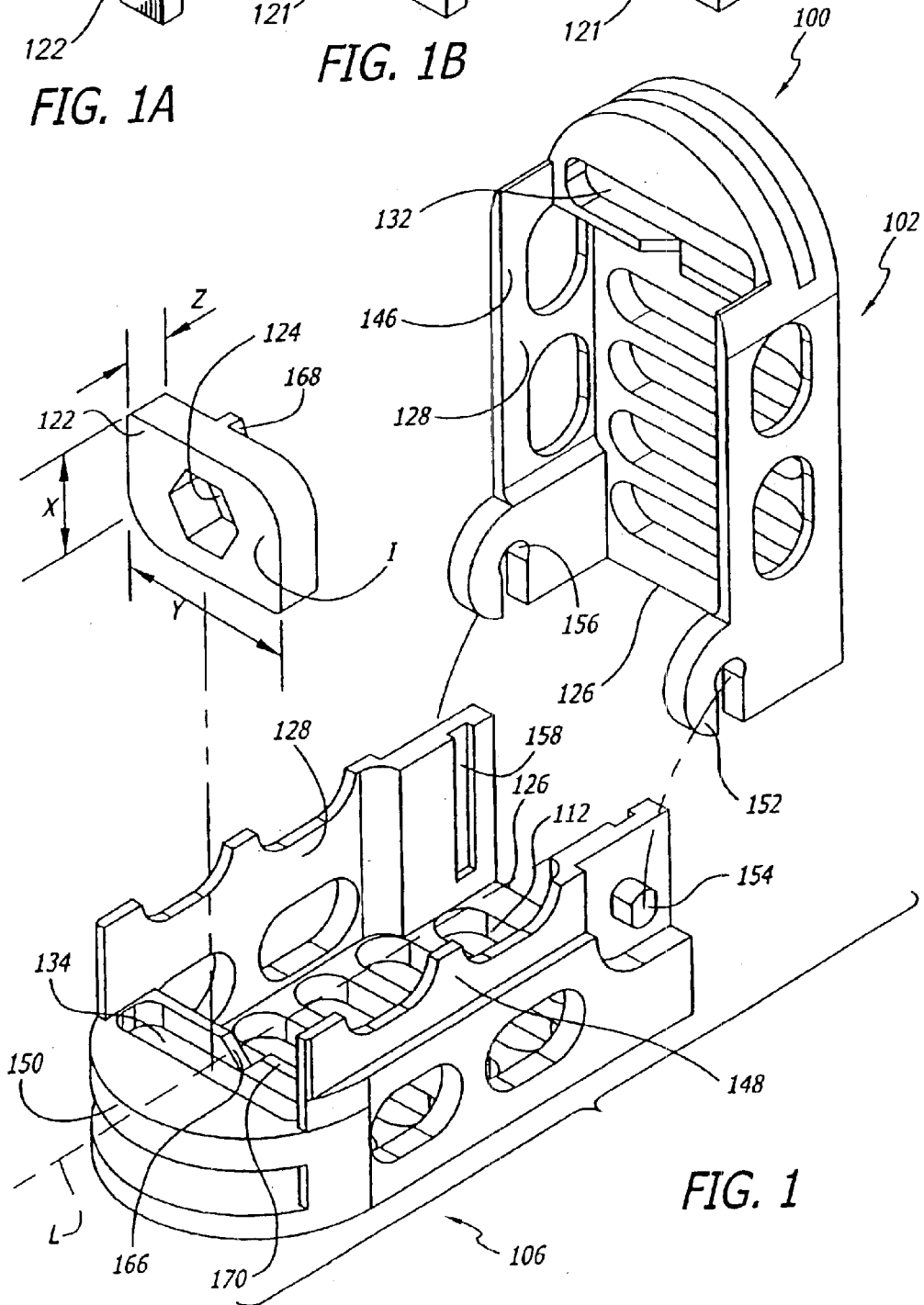
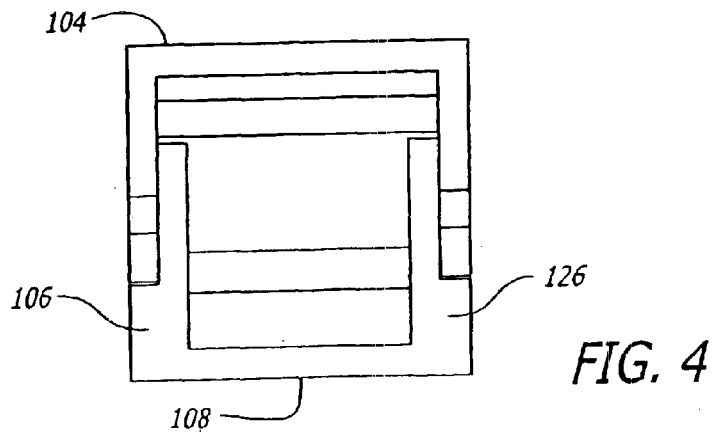
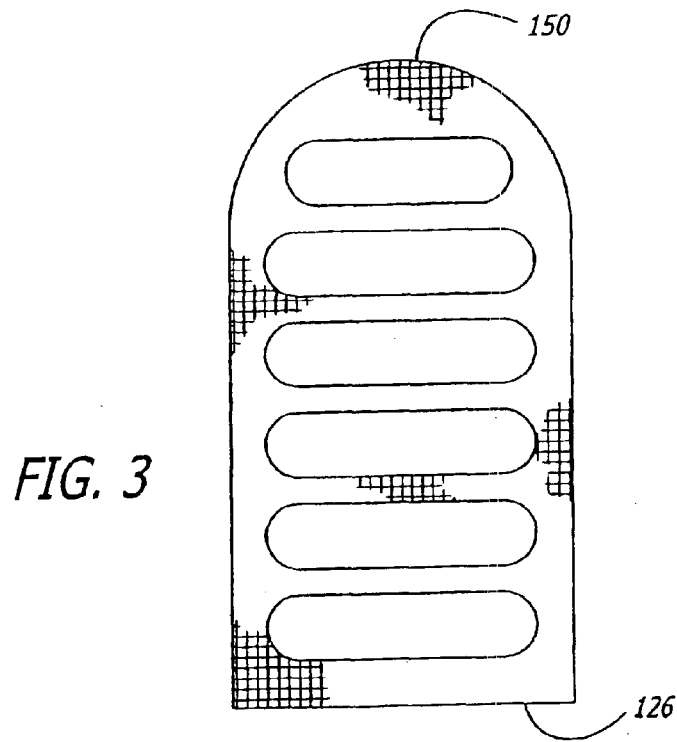
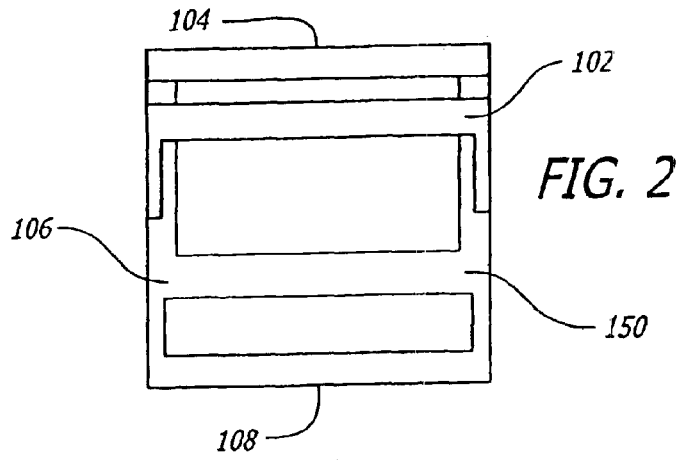


FIG. 1



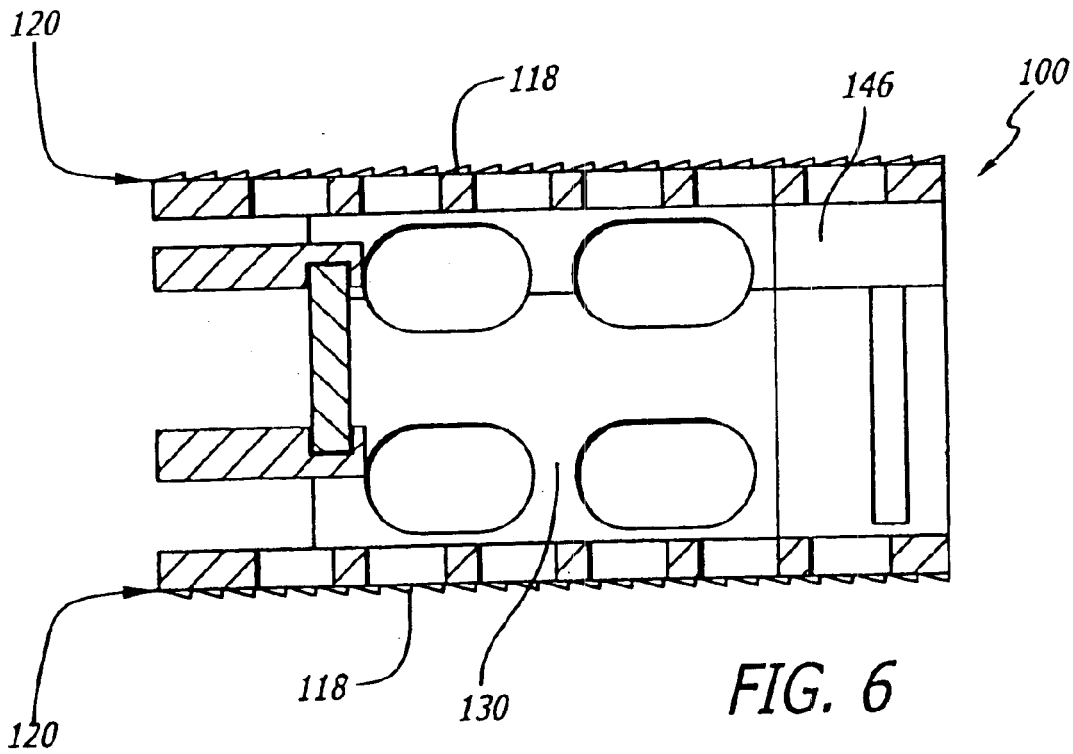
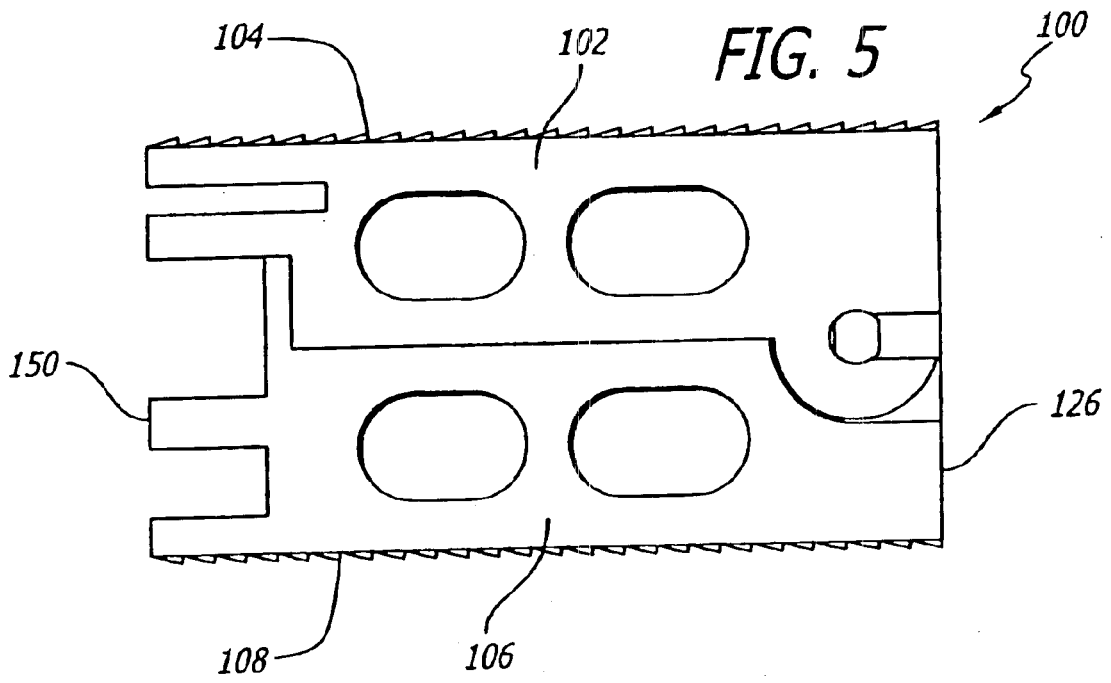


FIG. 7

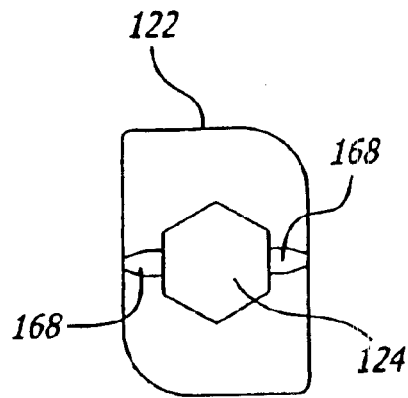


FIG. 8

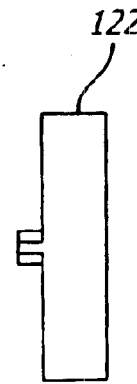
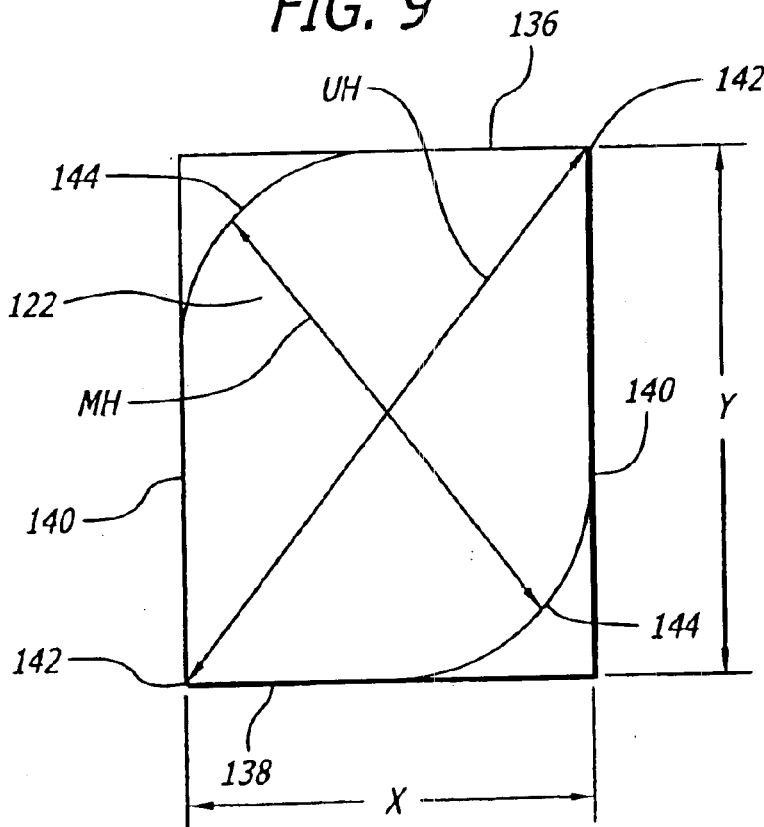


FIG. 9



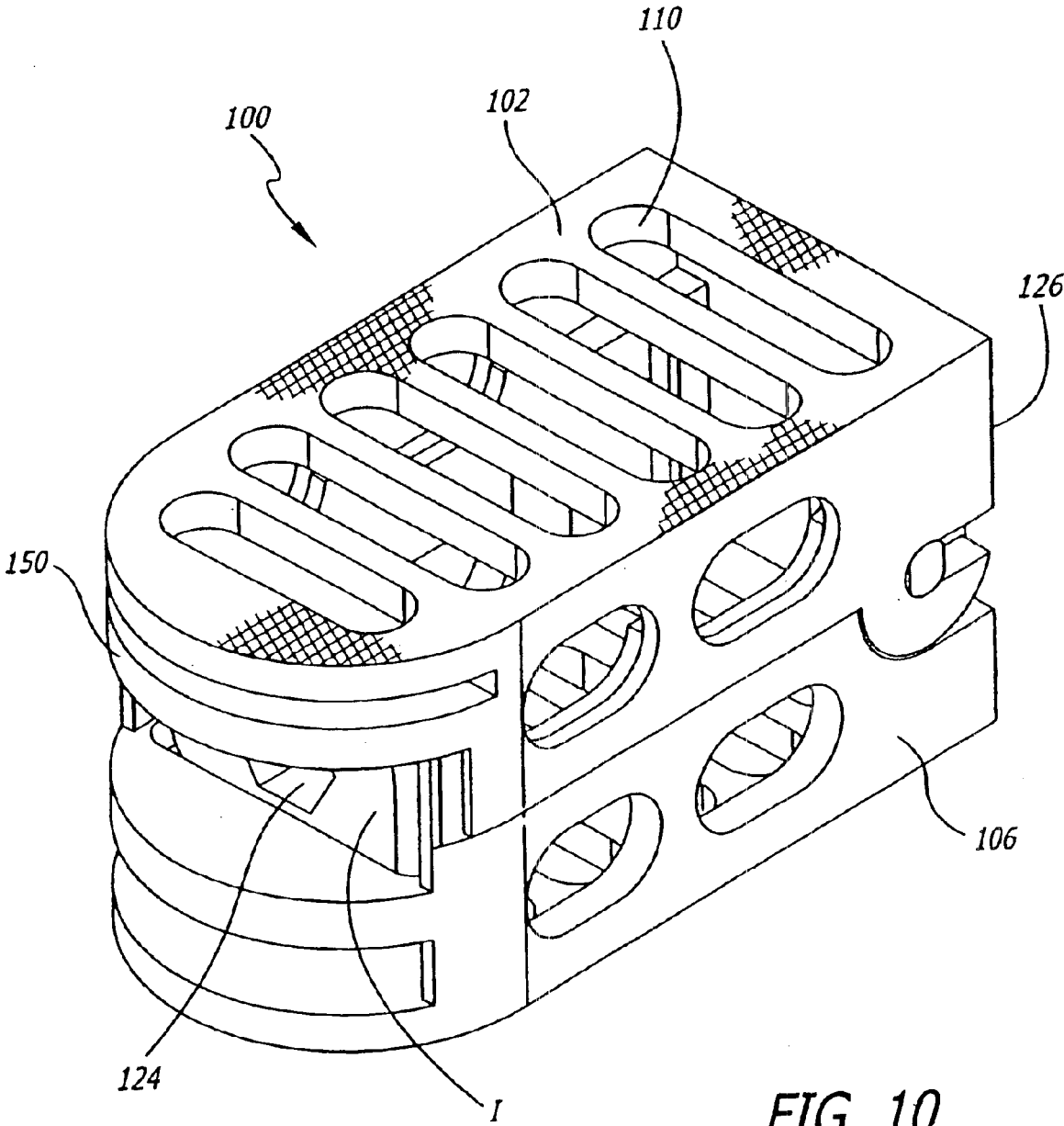
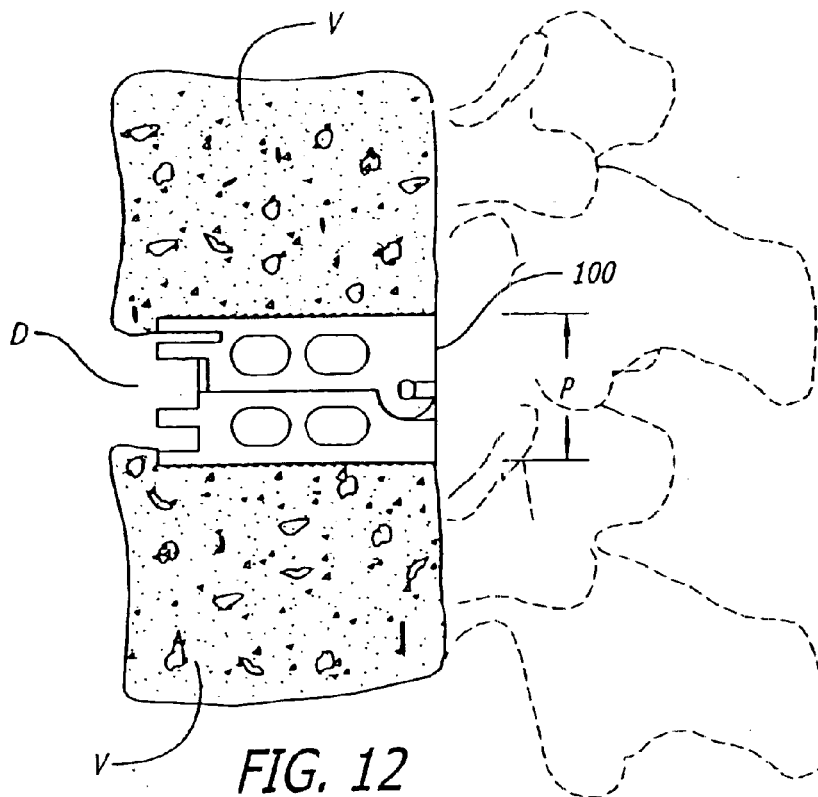
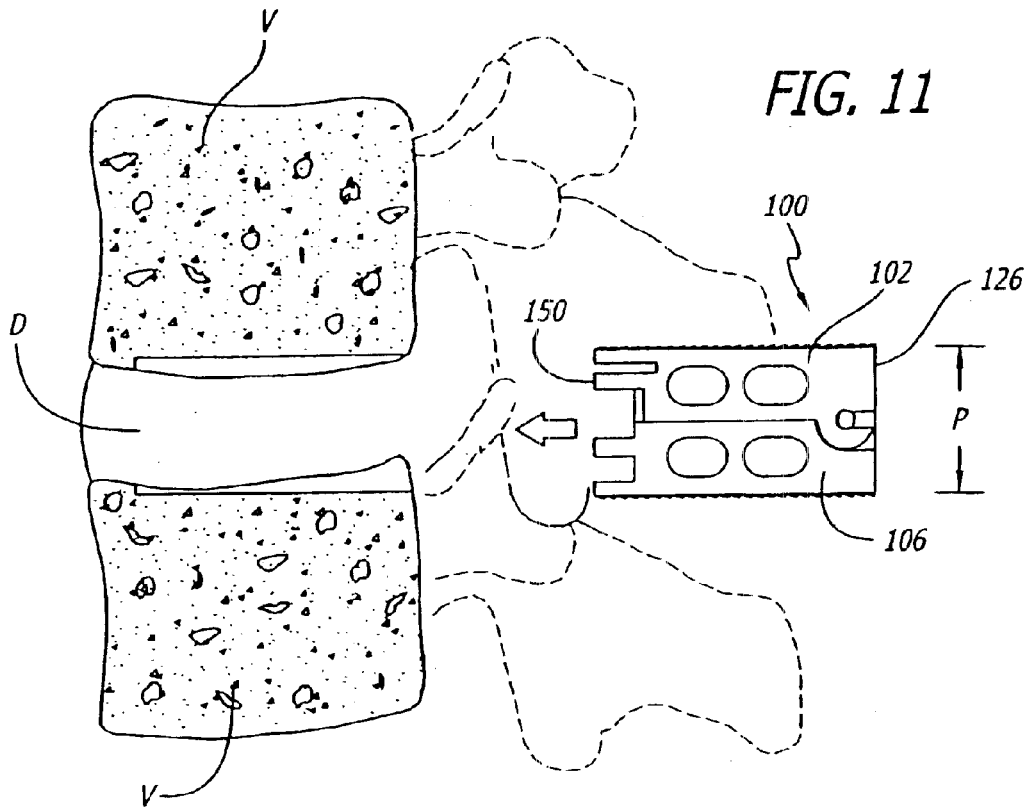


FIG. 10



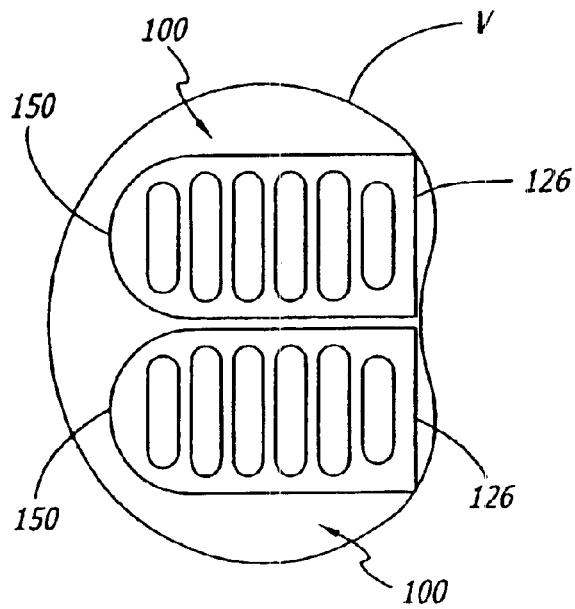
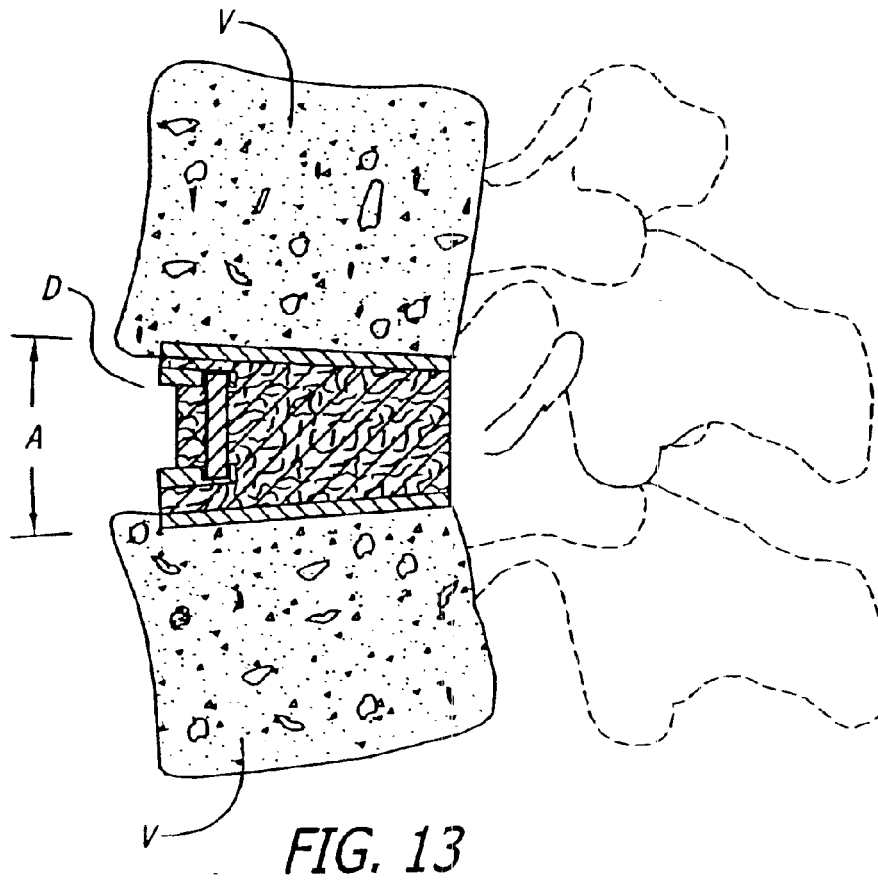


FIG. 15

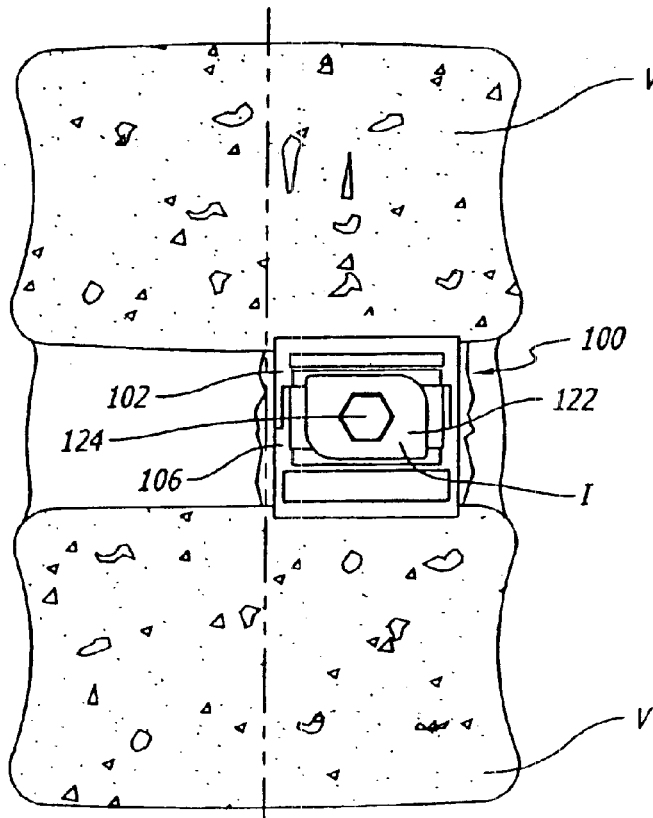
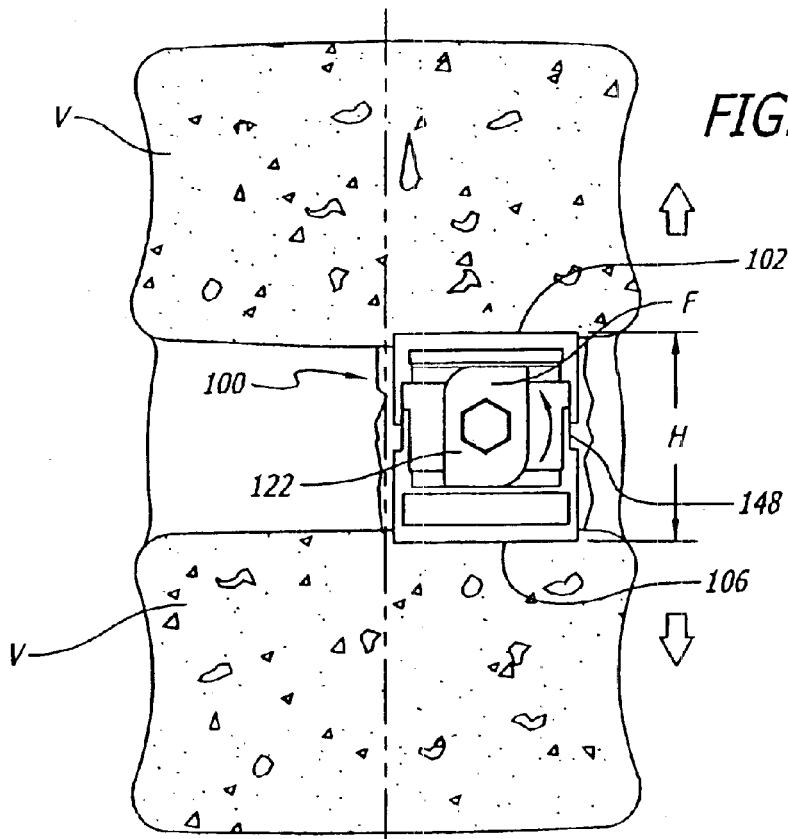


FIG. 16



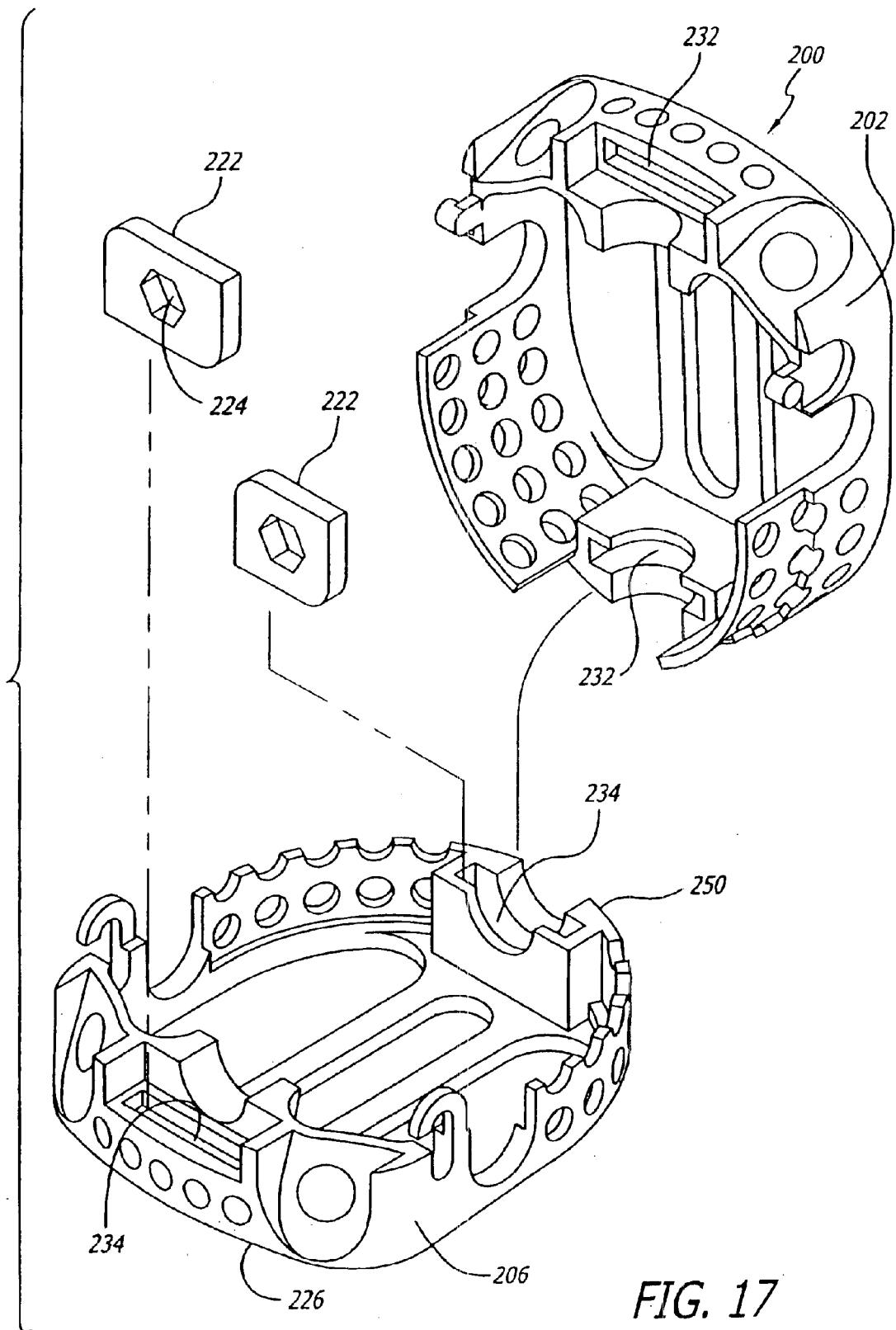


FIG. 17

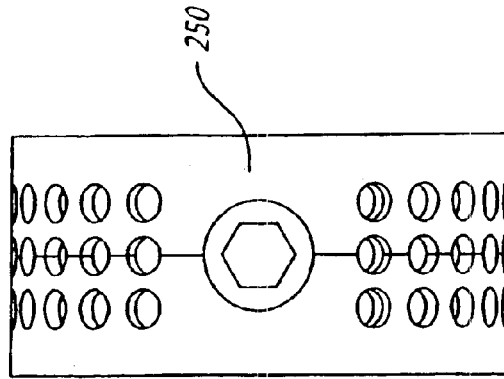


FIG. 20

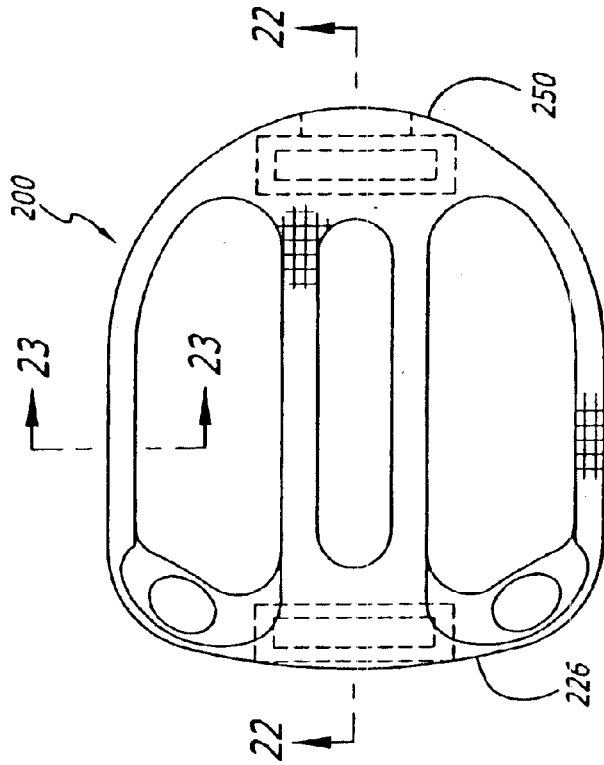


FIG. 19

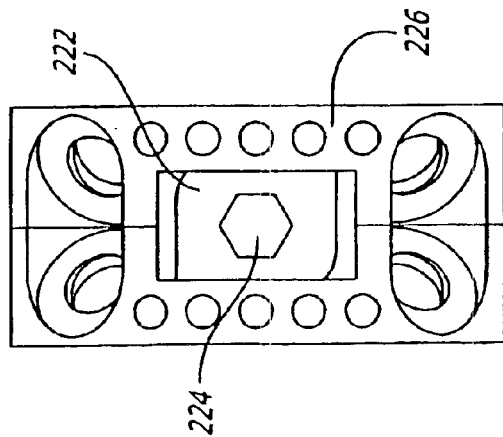


FIG. 18

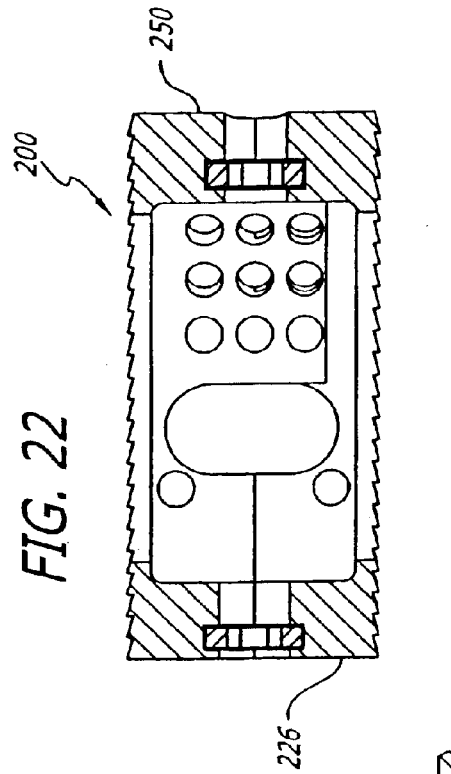


FIG. 21

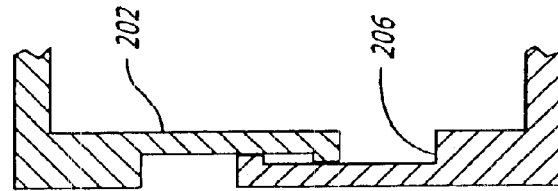


FIG. 23A

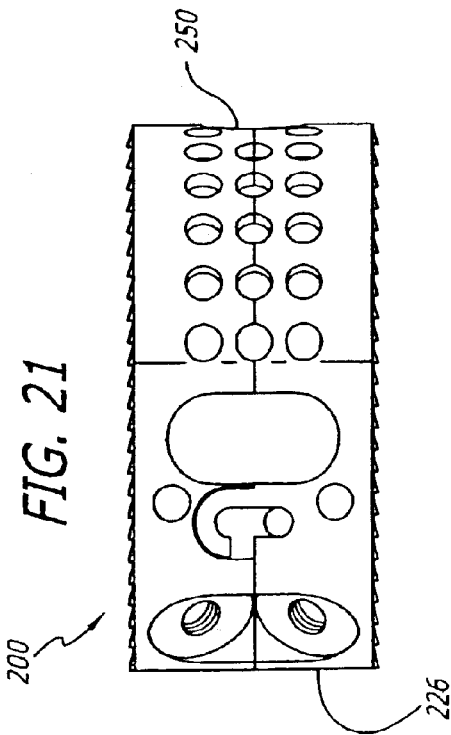


FIG. 22

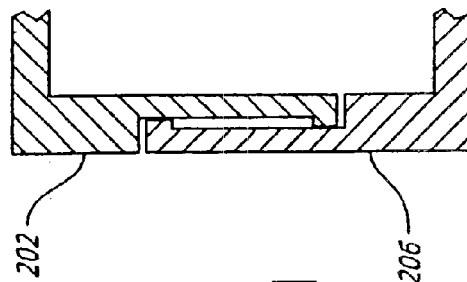


FIG. 23B

FIG. 24

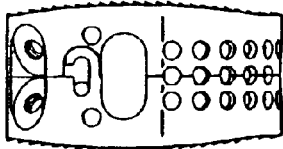
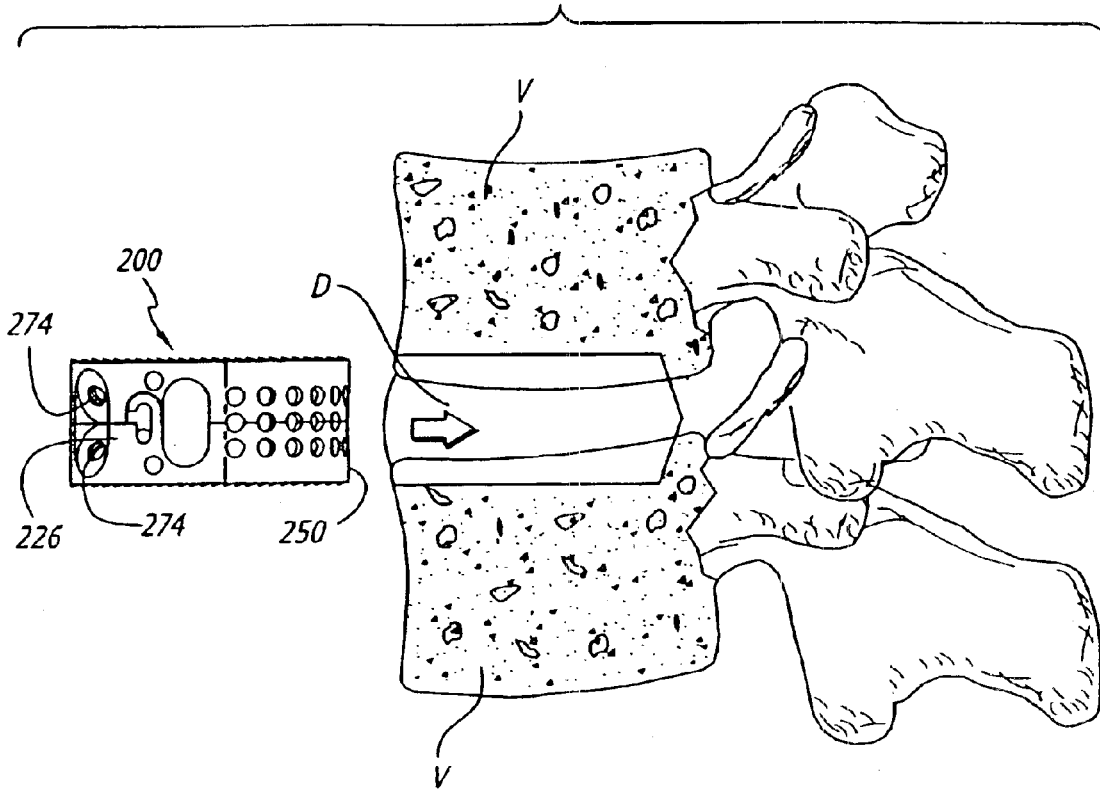
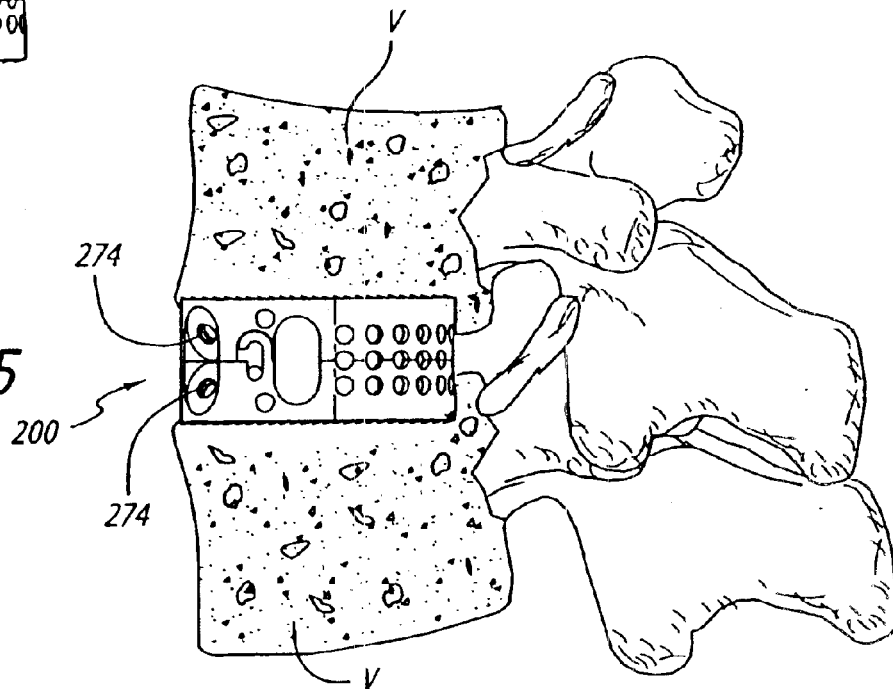


FIG. 24A

FIG. 25



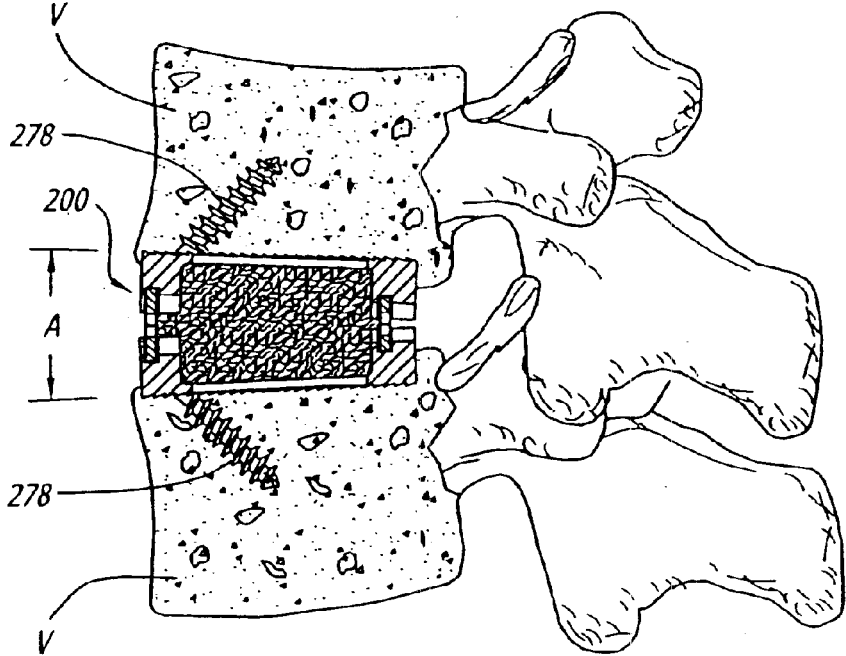


FIG. 26

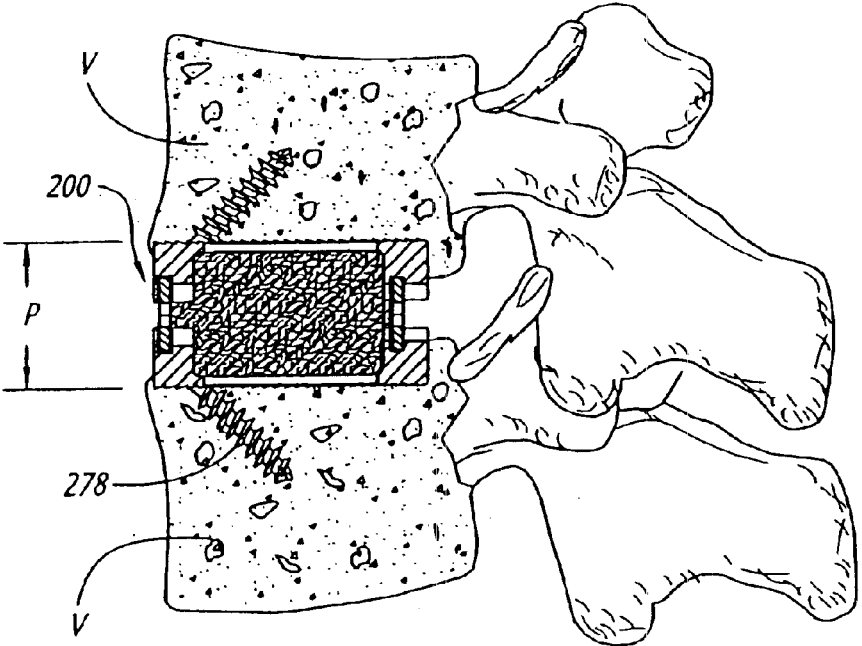


FIG. 27

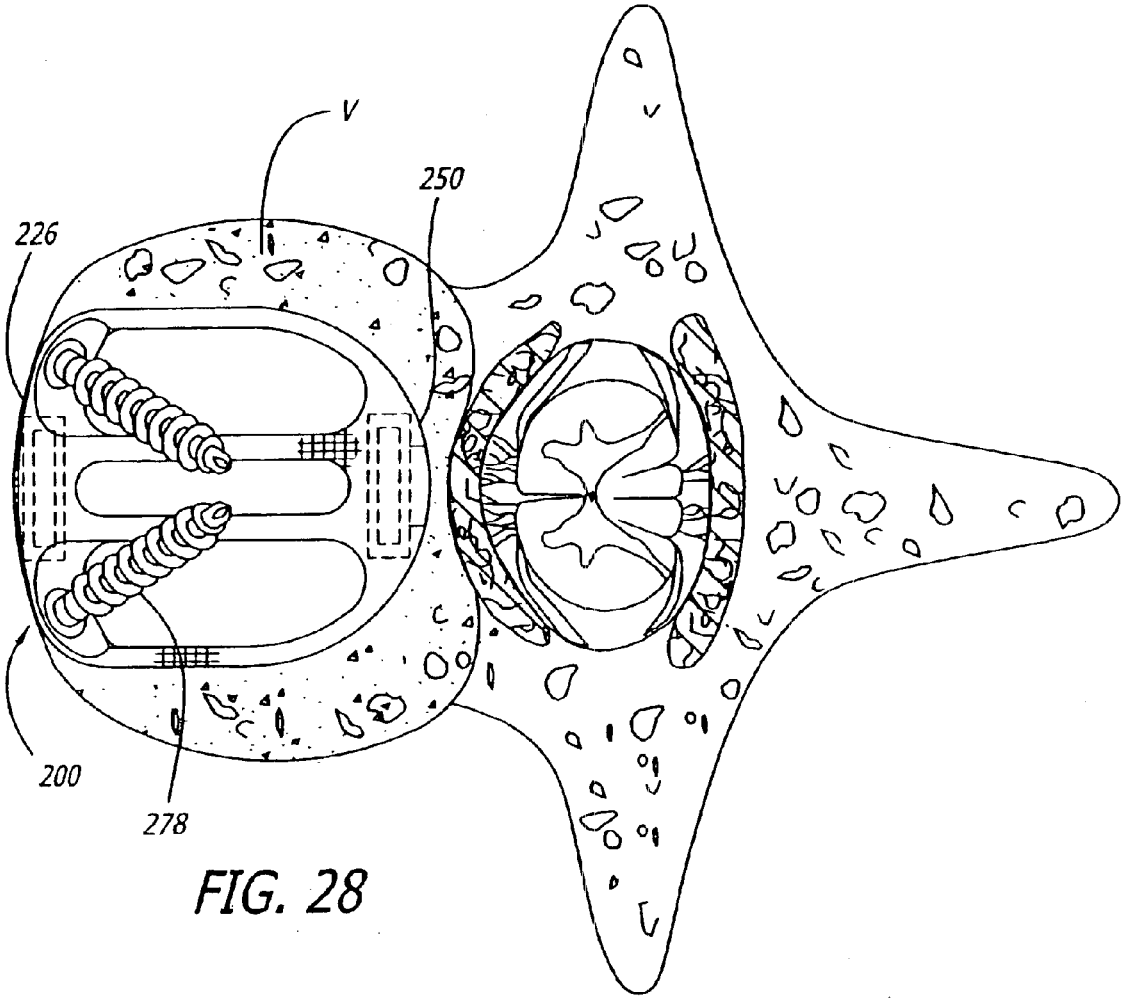
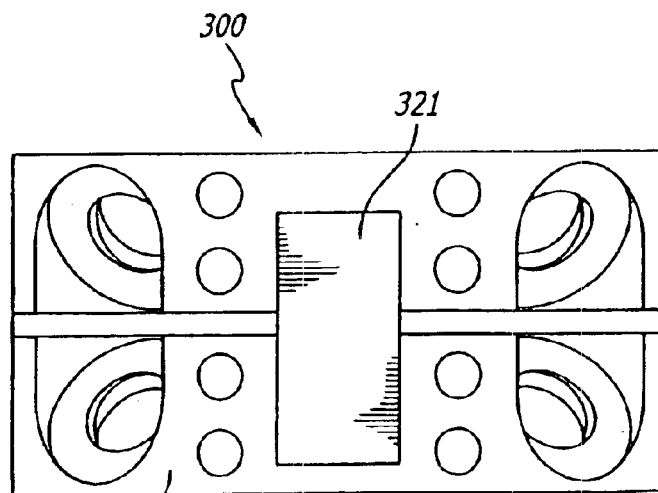
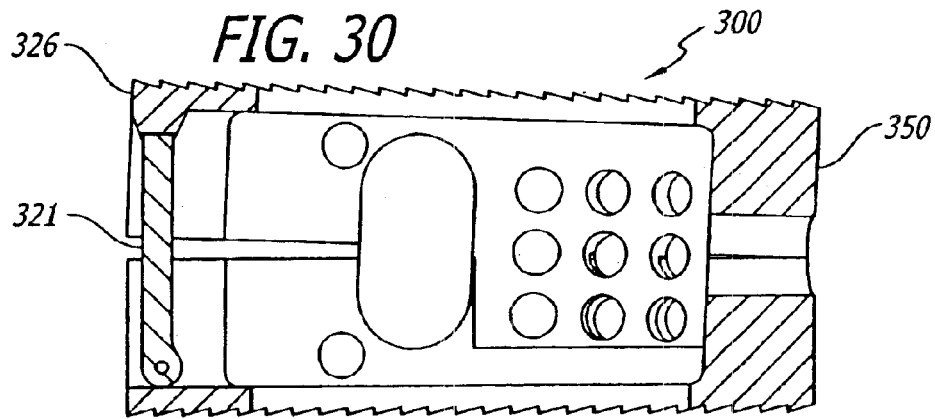
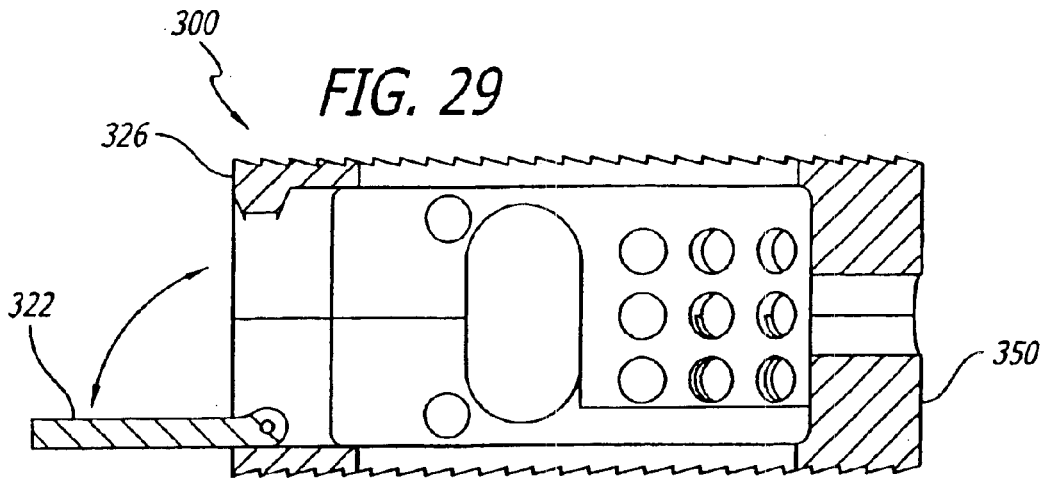


FIG. 28



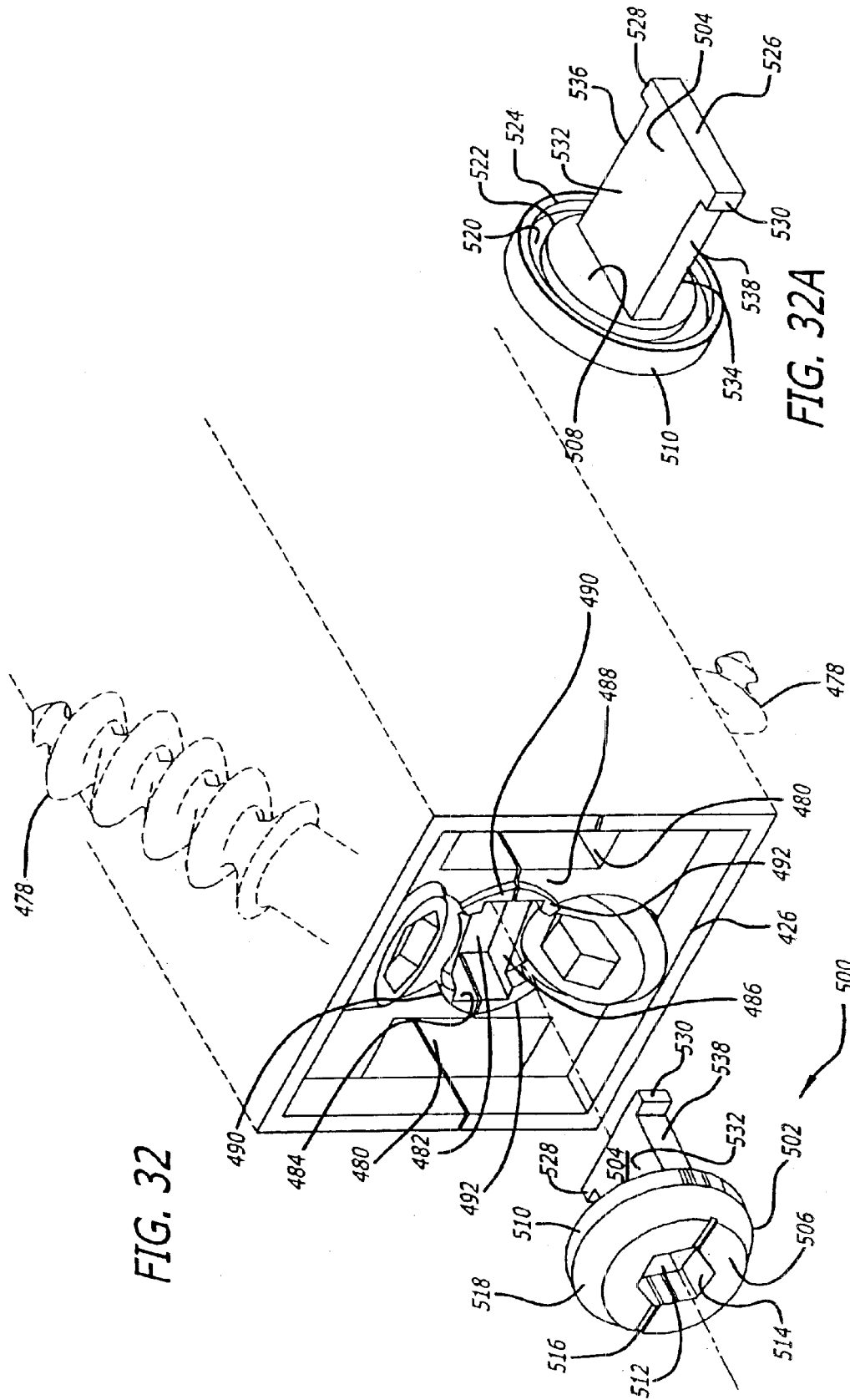


FIG. 33

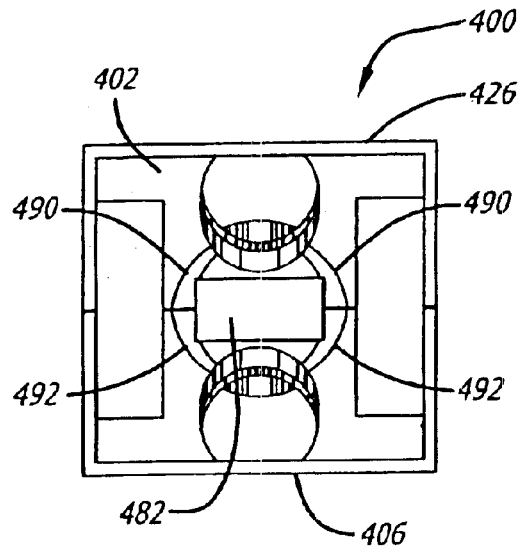
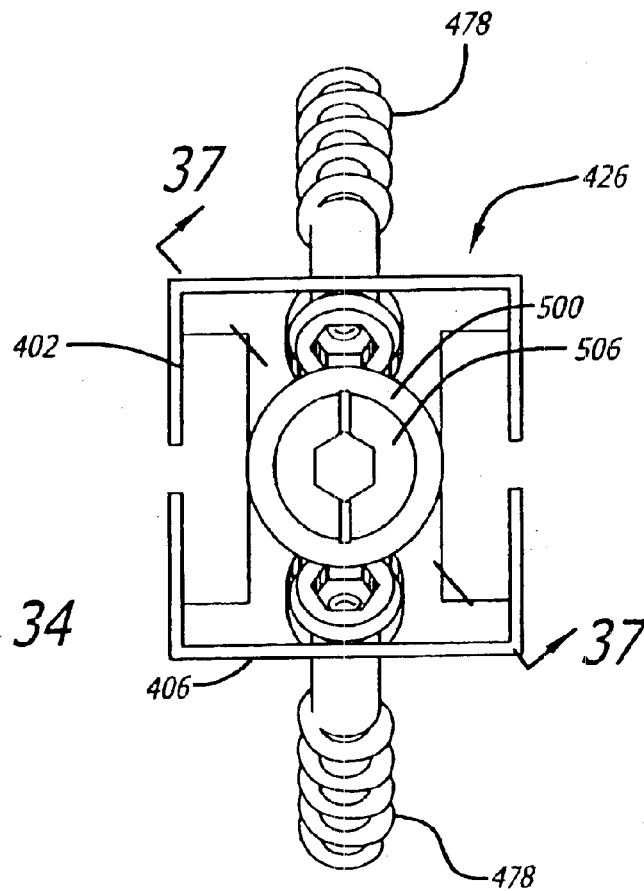


FIG. 34



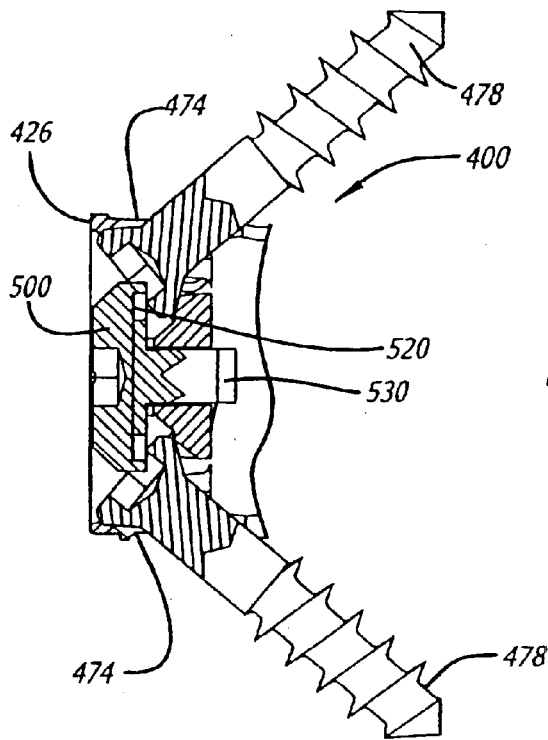


FIG. 35

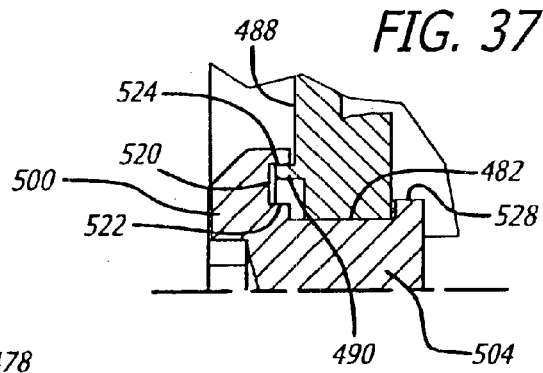


FIG. 37

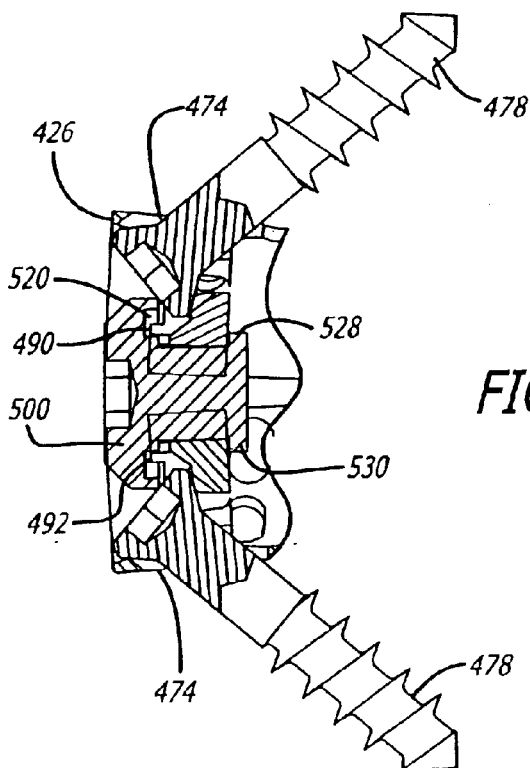


FIG. 36

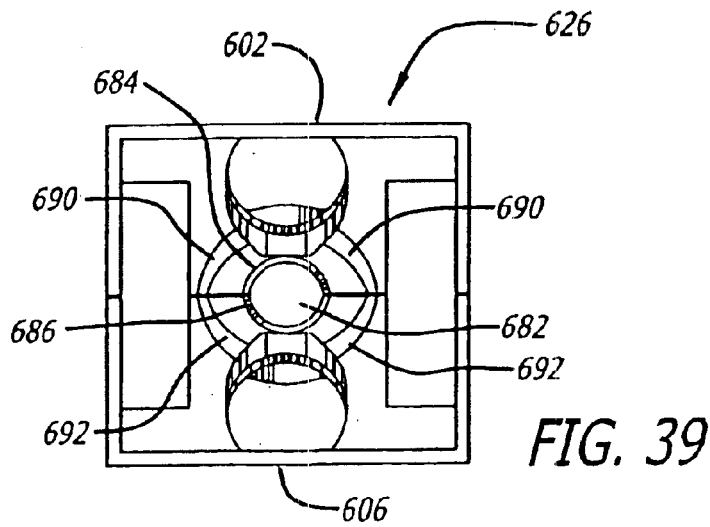
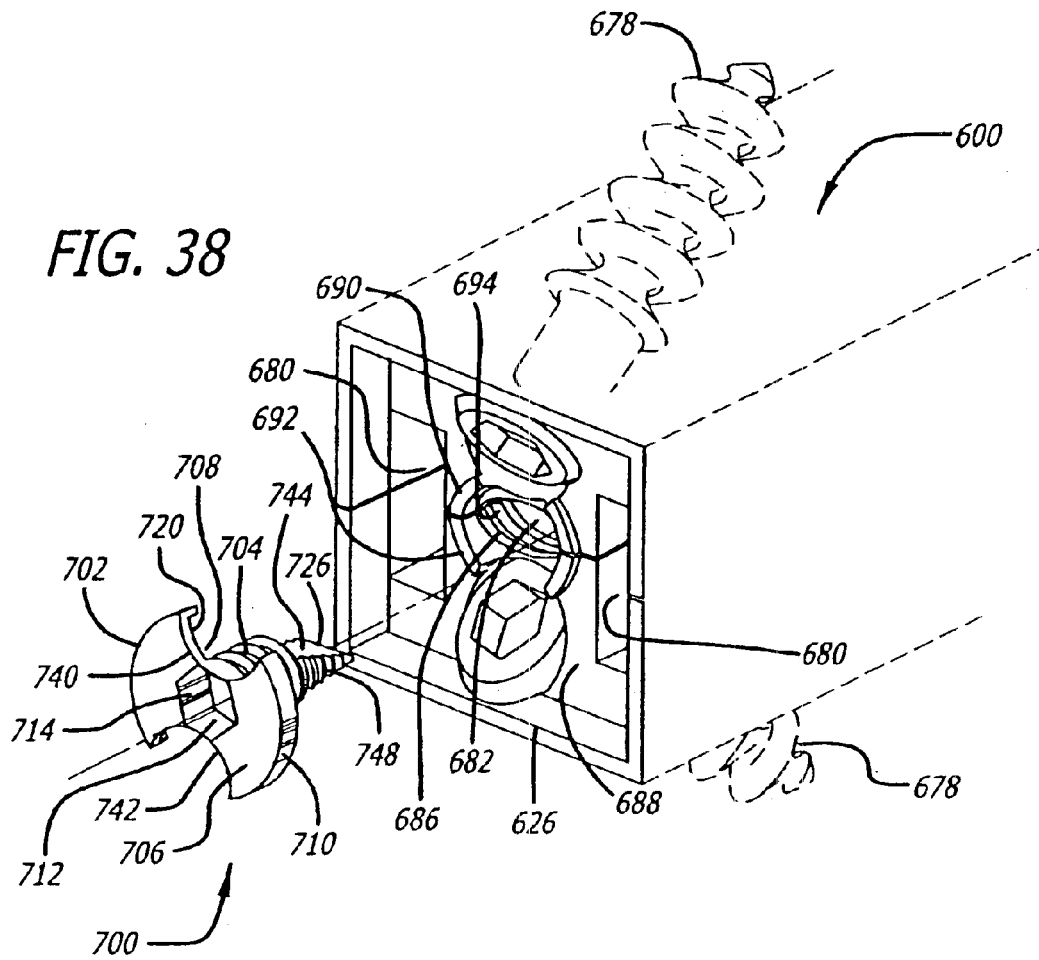


FIG. 40

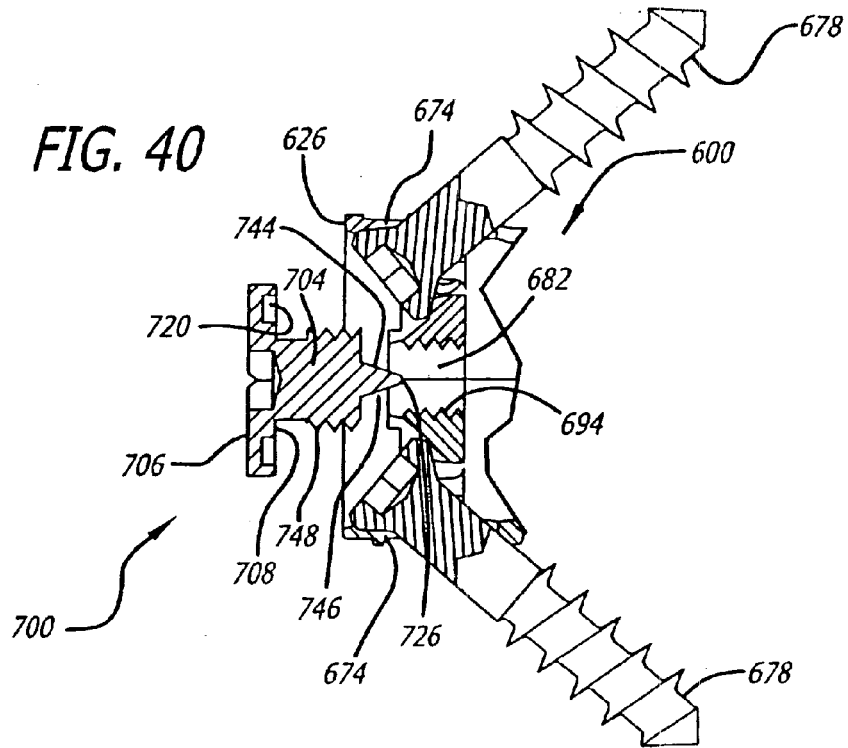
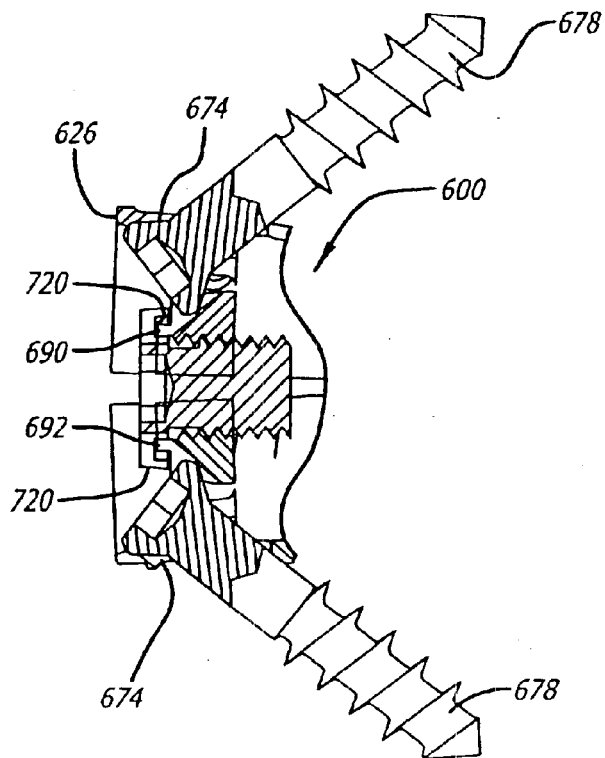


FIG. 41



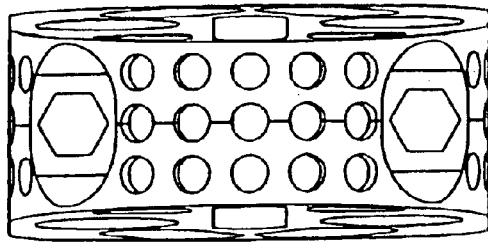


FIG. 44

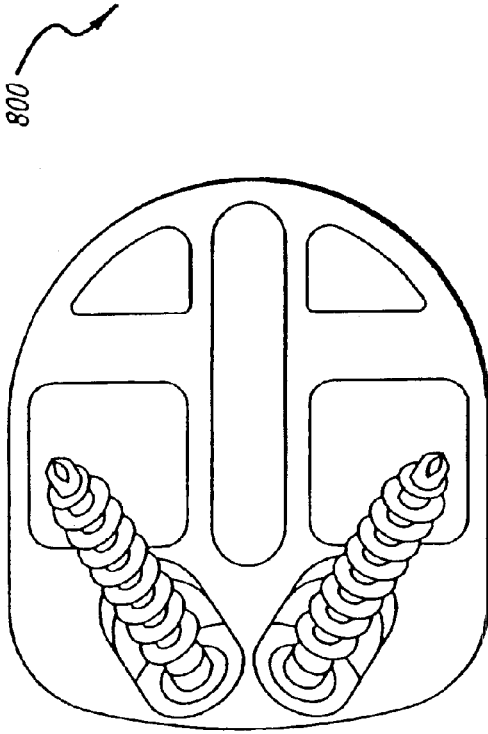


FIG. 43

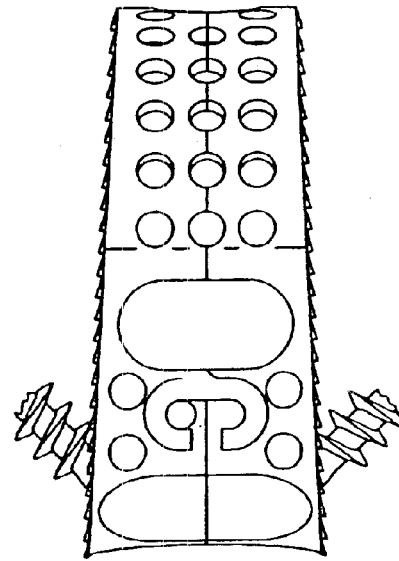


FIG. 45

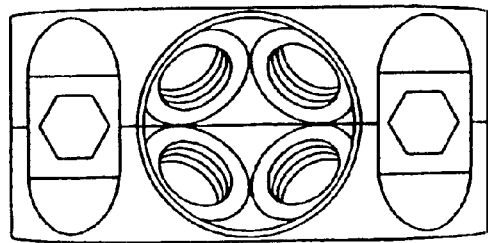


FIG. 42



800

800

800

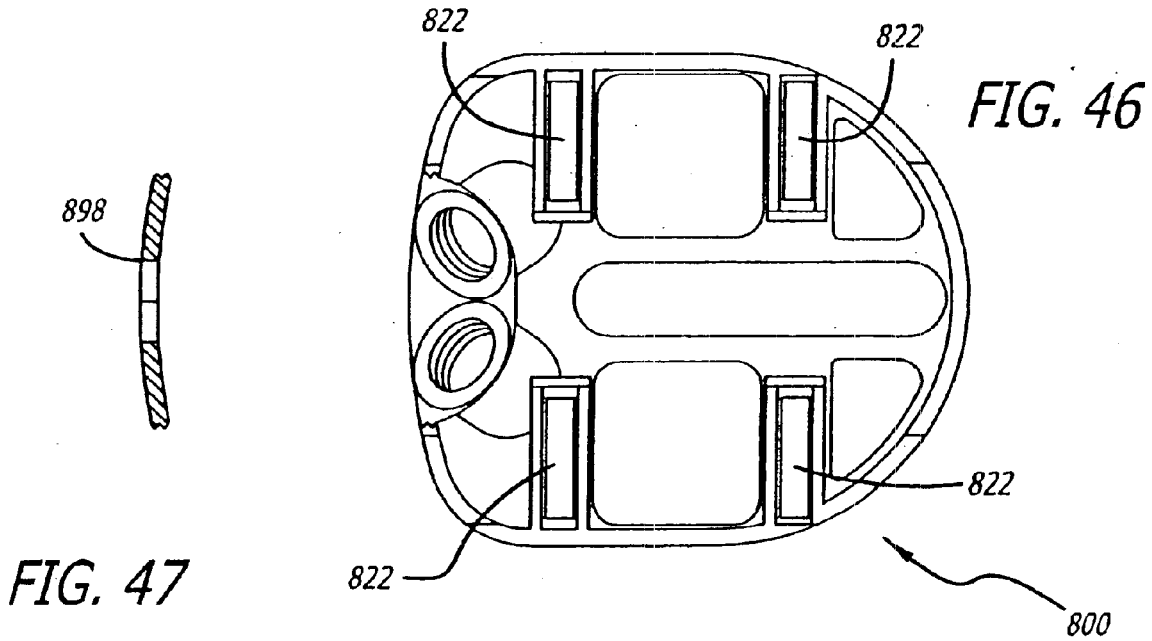


FIG. 47

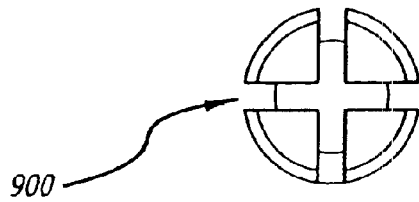


FIG. 48

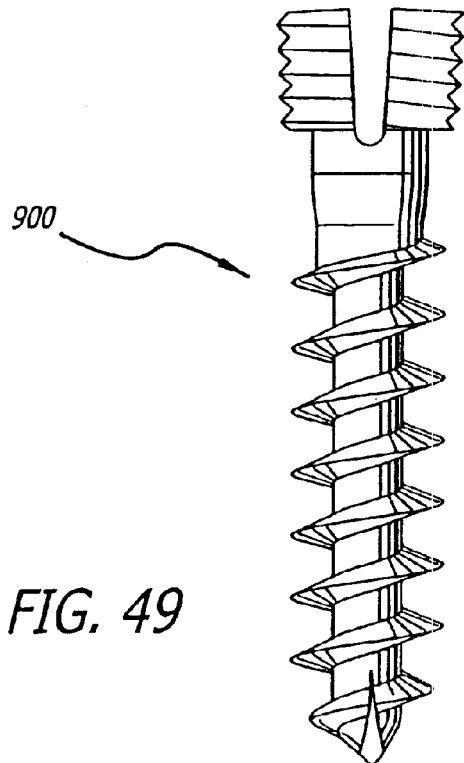
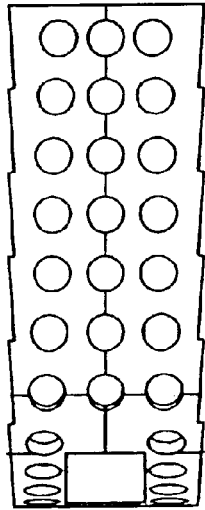


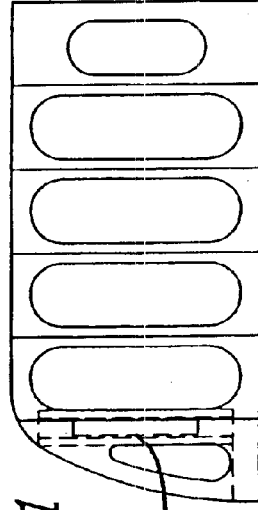
FIG. 49

FIG. 50



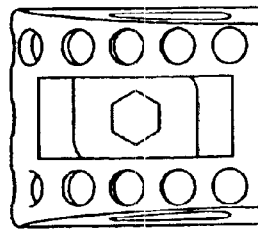
1000

FIG. 51



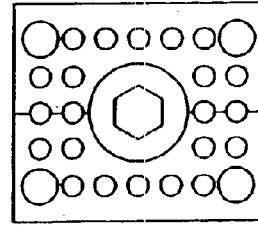
1000 1022

FIG. 52



1000

FIG. 53



1000

FIG. 54



1000

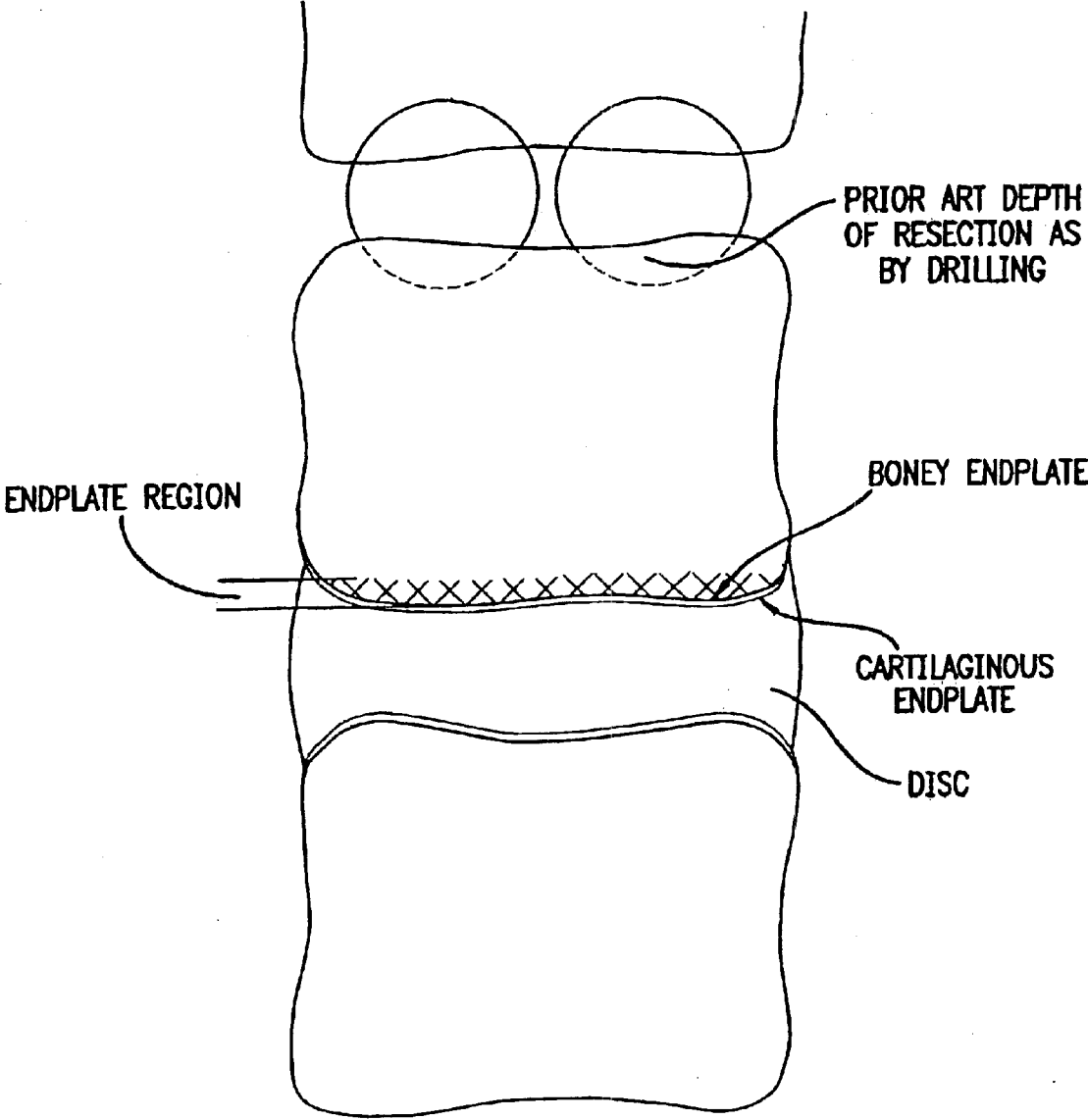


FIG. 55

EXPANDABLE PUSH-IN INTERBODY SPINAL FUSION IMPLANT

This is a continuation of International Application No. PCT/US01/03657, with an international filing date of Feb. 5, 2001, published in English under PCT Article 21(2), which claims the benefit of U.S. Provisional Application No. 60/180,404, filed Feb. 4, 2000, all of which are incorporated herein by reference.

BACKGROUND OF THE INVENTION

1. Field of the Invention

The present invention relates generally to an improved push-in interbody (for placement at least in part between adjacent vertebral bodies in the space previously occupied by disc material) spinal fusion implant for the immobilization of vertebrae. The present invention is directed to expandable push-in implants only not including push-in implants having substantially arcuate upper and lower members oriented toward the adjacent vertebral bodies and designed to engage the vertebral bodies along arcuate cuts therein typically formed by a drill. Further, the present invention is not directed to threaded implants requiring rotation for insertion into the implantation space in the spine. In particular, the invention relates to push-in spinal fusion implants that have height raising capabilities that are utilized once the implant is initially positioned. Such height raising capability may be utilized within the spine anteriorly, posteriorly, or both and to various extents, respectively so as to raise the front, back, or both of the implant by the same or various amounts. More particularly, the invention relates to a push-in implant having upper and lower surfaces of upper and lower members that in a first or insertion position are collapsed relative to one another and in a second or deployed position are adapted to contact the adjacent vertebral bodies.

2. Description of the Related Art

Push-in spinal fusion implants having upper and lower surfaces adapted for placement in contact with adjacent vertebral bodies are known in the related art. Such a push-in spinal fusion implant was invented by Michelson and is disclosed in U.S. Pat. No. 5,776,199, filed Jun. 28, 1988, which is hereby incorporated by reference.

Lordotic or tapered, push-in spinal fusion implants are also known in the art. By way of example, Michelson has invented such implants as disclosed in U.S. Pat. No. 5,609,635, filed Jun. 7, 1995, which is hereby incorporated by reference.

Expandable fusion implants are known in the related art. The first expandable spinal fusion (allowing for the growth of bone from vertebral body to vertebral body through the implant) implant was invented by Michelson and also is disclosed in U.S. Pat. No. 5,776,199 previously incorporated by reference herein.

Lordotic or tapered, spinal fusion implants have the advantage of restoring or enhancing spinal lordosis. Push-in spinal fusion implants offer the advantage of being easily positioned in the implantation space and of having excellent fastening or holding features. Expandable fusion implants offer the advantage of allowing for the placement of a potentially larger implant through a smaller opening in a patient's body. Selective expansion along a single direction, (e.g. vertically only when correctly installed) offers the advantage of increasing the height of the implant and therefore the distraction of the disc space, but without a concomitant increase in the width of the implant.

There exists a need for an artificial interbody spinal fusion implant providing for all of the aforementioned advantages in combination.

SUMMARY OF THE INVENTION

In accordance with the present invention, as embodied and broadly described herein, there is provided an expandable push-in artificial interbody spinal fusion implant with upper and lower surfaces when inserted, for insertion across a disc space between two adjacent vertebral bodies of a human spine. The push-in implant of the present invention includes an upper member having an upper surface adapted for placement toward and into contact with one of the adjacent vertebral bodies and a lower member having a lower surface adapted for placement toward and into contact with the other of the adjacent vertebral bodies. The upper and lower surfaces of the upper and lower members have at least one opening in communication with one another for permitting for the growth of bone from a vertebral body to an adjacent vertebral body through the implant. The upper and lower members are articulated therebetween, preferably proximate one of the proximal ends and the distal ends of the upper and lower members and preferably allow for divergence between the articulating members at the end opposite the articulating end of the implant. The upper and lower members have a first position relative to one another that allows for a collapsed implant height and a second position relative to one another that allows for an increased height. The upper and lower surfaces in the first position of the present invention of one embodiment are generally planar to one another.

As used herein the terms "generally or substantially planar" and "non-arcuate" are intended to describe the upper and lower surfaces of the implant of the present invention as having (1) no curvature, as in a planar surface, (2) slight or mild curvature from the leading end to the trailing end of the implant, and/or (3) slight or mild curvature across the implant width. Slight or mild curvature does not include the curvature associated with the upper and lower surfaces of implants for insertion into a disc space having a circular cross section formed across a spinal disc and into the adjacent vertebral bodies. While the upper and lower surfaces of the present invention may have some curvature, in comparison to an implant having a circular cross section, the curvature is minimal. For implants having a circular cross section such as threaded implants the curvature of the upper and lower surfaces contacting the adjacent vertebral bodies is a radius of half the width of the implant. If there is a curvature to the upper and lower surfaces of the present invention, the curvature is that of a circle much greater than the width of the implant; thus, it has a slight curvature that may correspond to an anatomical curvature of a disc or the surface of the vertebral endplate.

The upper and lower surfaces of the upper and lower members may be either generally parallel or angled to one another when the implant is in the initial insertion position. In another embodiment, the upper and lower surfaces may have a relatively mild convexity in at least one or both directions so as to better conform to the anatomical shape of the disc space or the vertebral endplates. While a substantially parallelepiped shape having a quadrilateral cross section may be generally preferred the leading and trailing ends may be substantially rounded to some advantage.

The height of the implant is at least that of the height of the restored disc space into which it is inserted. The implant is inserted at least in part within the space that was previ-

3

ously occupied by the disc material that was contained between the vertebral bodies.

Preferably, on the exterior of each of the upper and lower surfaces is at least one bone-engaging projection adapted for linear insertion for engaging the adjacent vertebral bodies. The upper and lower members have a leading or distal end, an opposite trailing or proximal end, and a length therebetween. A blocker that is preferably in the form of an expander is preferably located proximate at least one of the ends for holding at least a portion of the upper and lower members apart so as to maintain the increased height of the implant and resist the collapse of the implant to the collapsed implant height. Expansion of the implant preferably increases the implant height only, that is in a plane passing through the mid-longitudinal axis of the implant and the upper and lower members.

The blocker need not be in contact with the upper and lower members when the implant is initially inserted into the implantation space. The blocker may be a block or any type of spacer that is inserted between or otherwise holds apart the articulated upper and lower members after the implant is positioned so as to hold portions of the upper and lower members spaced apart the optimal height and angulation relative to one another. That is, the implant may be expanded with an extrinsic tool and then the expanded portions held apart in the second position by a third body blocker or blockers placed therebetween. Further, a physician may be able to select from a series of blockers having different heights usable with the same implant. The present invention includes expanding the implant with a tool, such as a spreader or a distractor, but is not limited to a scissors type, a rack and gear type, a threaded member type or any other type of particular external expander tool mechanism. Each tool nevertheless preferably engages the upper and the lower implant members to urge the implant apart. Then the blocker may be inserted into contact with the upper and lower members to maintain the implant at an expanded height. The height of the gap created by expanding the implant may be measured so that the appropriately sized blocker or expander may be inserted into contact with the upper and lower members depending upon the amount of distraction of the implant desired by the physician.

In a preferred embodiment, the blocker is in contact with the upper and lower members prior to the implant expansion, and the blocker is itself the expander, which may be operated by an extrinsic tool. By way of example only, the expander may rotate: to increase the height of the implant; in a single direction; more than 40 degrees and less than 140 degrees and more preferably approximately 90 degrees to move from a first insertion position to a second/deployed position; and in a plane perpendicular to the longitudinal axis of the implant to increase the height of the implant. The expander preferably remains in the same perpendicular plane relative to the longitudinal axis of the implant when rotated. In another embodiment the expander may be a member, such as a plate, a rod, or of any other configuration suitable for the intended purpose initially within the interior between the upper and lower members in a collapsed position that is erected to a more erect position when the implant is in the expanded position. The expander can be hollow or solid.

In a preferred embodiment, the expander preferably has means including, but not limited to, an opening, a projection, or a detent adapted to cooperatively engage a tool used to rotate the expander to increase the height of the implant. The opening, projection, or detent is adapted to cooperatively engage a tool that preferably rotates about an axis parallel to the longitudinal axis of the implant to rotate the expander to

4

increase the height of the implant. Rather than having an opening, a projection, a detent, or a central aperture, the expander may have two or more recesses or holes placed on or through the proximal face to engage a tool. In an alternative embodiment of the expander, cutouts may be positioned along a portion of the perimeter of the expander.

The expander is preferably located proximate at least one of the proximal end or the distal end of the upper and lower members. The expander, however, need not be so located. The expander may be spaced away from the end and even permit a hollow portion to exist on both the proximate and distal sides of the expander.

The upper and lower members preferably have an interior surface therebetween and a hollow defined therein with the expander located proximate one of the longitudinal ends of that interior hollow. The hollow between the ends of the upper and lower members is preferably unobstructed by the expander so as to permit growth of bone directly through the hollow unobstructed by the expander from vertebral body to vertebral body through the implant transverse to the longitudinal axis of the implant. The implant may comprise a second and lesser hollow extending at least in part from the expander to the end of the upper and lower members proximate that expander. A preferred expander mechanism includes an expander in combination with cooperating surfaces of the end wall of the implant that guide and support the expander.

Preferred forms of interbody spinal fusion implants have a substantial hollow portion. Certain expandable interbody spinal fusion implants that increase in height only of the related art contain an expansion mechanism passing longitudinally therethrough or an expansion mechanism that is configured for movement of the expansion mechanism from proximate one end of the hollow portion to proximate the other end of the hollow portion, thus requiring the expander to pass through the length of the hollow portion. A preferred embodiment of the present invention overcomes these limitations.

The expander moves the upper and lower surfaces relative to one another from a generally parallel or an angled orientation at a first position to a generally parallel or an angled orientation at a second position or from a first height at each end to a second and greater height at least one and possibly both ends, including from a first height parallel orientation to a second height parallel orientation. In the first position for initial insertion, when used with an implant inserted from the anterior aspect of the spine the upper and lower surfaces are preferably parallel or angled to be smaller at its leading end. When used with an implant inserted from the posterior aspect of the spine the upper and lower surfaces are preferably parallel or slightly angled to be smaller at its leading end which is then reversed after it is expanded. Each of the upper and lower members may structurally cooperate with a blocker or expander so as to keep it located so as to function for its intended purpose. By way of example, each of the upper and lower members preferably has a track within which the blocker may be captured or the expander rotated. The tracks may be configured to permit the expander to rotate therein and then to move from side to side there-within. The track of the upper member and the track of the lower member are preferably in the same plane and the plane is preferably perpendicular to the longitudinal axis of the implant.

A preferred expander has a first height in a first or insertion position and a greater second height when rotated or positioned into a second or deployed position to increase

the maximum height of the implant from a first maximum height to a second maximum height. By way of example, at least one of the tracks of the upper and lower members preferably has a cooperating surface and the expander has a corresponding cooperating surface that contacts the cooperating surface of the track to orient the expander in a predetermined position. The cooperating surfaces preferably orient the expander within the implant such that the axis of rotation of the expander is parallel with the longitudinal axis of the implant and, more preferably, center the expander within the implant such that the axis of rotation of the expander coincides with the longitudinal axis of the implant. As may be advantageous for the further loading of the implant with fusion-promoting material, the expander may cooperate with the tracking surfaces of the upper and lower members to allow the expander to slide from side-to-side for easier access to the implant interior.

The implant is preferably packed with bone or other fusion-promoting substances prior to expansion of the implant. Expansion of the implant results in a space being formed in the implant interior into which additional fusion promoting substances such as bone may preferably be packed. Rotating the expander within the implant causes a void that can be filled with bone. If the expander is configured to permit side-to-side movement, then packing of additional bone into the implant is facilitated.

When installing a preferred implant from the posterior approach to the spine, the implant is driven from the trailing end and the expander is at the leading end at the anterior aspect of the spine. When expanded, the implant installed from the posterior aspect leaves a void at the leading end of the implant near the anterior aspect of the spine because the leading end of the implant has been made taller, the void preferably being packed with bone. Additionally, the path left behind in the bone filled interior of the implant by the tool used to access the expander through the bone filled interior to position the expander is preferably packed with bone as well.

In a preferred embodiment of the present invention, the expander height change from the first position to the second position corresponds to substantially the same change in height of the implant along at least a portion of the length of the implant. The expander may be configured in different ways. A preferred configuration for a rotational expander includes: a first dimension corresponding to the width of the expander when the implant is initially inserted into the spine and to the height of the rotational expander when the rotational expander is rotated to increase the height of the implant; and a second dimension corresponding to the height of the expander when the implant is initially inserted into the spine and to the width of the expander when the expander is rotated to increase the height of the implant. The first dimension preferably is greater than the second dimension.

The expander may have an upper surface, a lower surface, and side surfaces as defined when the expander is positioned after rotation to increase the height of the implant. As used herein, the term "side surfaces" refers to those portions of the expander that extend from the upper member to the lower member after the expander has been rotated into its second or deployed position to increase the height of the implant. The "upper" and "lower" expander surfaces refer to those portions of the expander that are in contact with the upper and lower members when the implant is in its second or expanded configuration. Each of the upper and lower surfaces of the expander may lie generally in a plane and may be generally parallel to one another. The side surfaces and the upper and lower surfaces may be oriented so as to

substantially form a parallelogram, which will typically be in the shape of a rectangle generally.

A preferred expander is in the form of a modified rectangle or rhomboid. The expander generally has a longer dimension and a shorter dimension. When the expander is in a first position, the short dimension spans the distance between the upper and lower members and when the expander is in the second position, the expander's long dimension spans the distance between the upper and lower members.

The expander may have a cross-section with the side surfaces intersecting the upper and the lower surfaces at junctions, which may be two diametrically opposed corners and two diametrically opposed arcs. The two diametrically opposed arcs may be each of the same radius and, preferably, the diagonal or modified hypotenuse "MH" between the opposed arcs has a maximum dimension that generally approximates the distance between the upper and lower surfaces such that, when the expander is rotated from a first insertion position toward a second/deployed position, no substantial over-distraction occurs between the adjacent vertebral bodies as would occur if the height of the implant was increased markedly beyond that obtained in the second/deployed position. The two diametrically opposed corners may form a 90-degree angle. The expander preferably has a fixed shape during movement from a first insertion position to a second/deployed position within the implant.

In a preferred embodiment, a modified hypotenuse or diagonal "MH" is the dimension between the two diametrically opposed arcs that allows for the rotation of the expander from a first position to a second position without substantial over-distraction occurring during this process. The phrase "without substantial over-distraction" is defined as distracting the vertebral bodies in the range of elastic deformation and short of plastic deformation and tissue failure. To avoid any ambiguity regarding the phrase "without over-distraction," this phrase and the individual words contained therein are not being used as they may be in their normal or ordinary use, but are being used as defined in this application only. In the example of this rotational expander, the MH could be identical in length to the height thereby assuring literally no overdistraction. It may be preferred, however, to have the MH just slightly greater in length than the height to insure the stability of the expander in the expanded or second position because this would then require additional force over the stable position to derotate the expander.

In accordance with an embodiment of the present invention, a second expander may be located between the upper and lower members for moving at least a portion of the upper and lower members away from one another to increase the height of the implant as defined by the maximum distance between the upper and lower surfaces proximate that expander. All of the features described herein for the expander may also be applicable to the second expander. Additionally, the second expander may be located proximate an end of the implant opposite the other expander, thereby providing an implant capable of being expanded at both ends of the implant. The increased height of the implant resulting from moving the two expanders may be constant or varied along the length of the implant according to the desired configuration of the implant and the relative dimensions of the individual expanders. A given implant may be adapted to receive or cooperatively engage a series of progressively sized (taller) blockers or expanders to allow the surgeon to make a final height selection at the time of surgery.

In accordance with an embodiment of the present invention, the implant may include an expansion mechanism

including the expander and at least one partial wall structure preferably located proximate an implant end that guides and holds the expander in a predetermined position.

The implant may have an overlapping step-cut wall junction between the upper and lower members, which offers as some of its advantages: increasing the lateral rigidity of the implant, holding the implant in the closed first position until expanded, and to the extent desired retaining the fusion-promoting materials within the implant. The wall junction may be either solid or perforated.

One of the upper and lower members preferably has an interior wall extending toward the other of the upper and lower members and, more preferably, has two interior walls extending from each side of the member. The interior walls may be aligned parallel with the longitudinal axis of the implant. The other one of the upper and lower members preferably has an interior-contacting surface adapted to contact or receive the interior longitudinal wall.

By way of example, one of the upper and lower members may have a longitudinally extending interior wall, which is preferably unexposed, extending toward the other of the upper and lower members when the implant is in an initial insertion position. When the implant is in the final expanded or deployed position the implant has a preferred shape such that each of the upper and lower surfaces of the upper and lower members are separated by at least a portion of interior wall, which in this position preferably has an exposed side.

The upper and lower members in certain embodiments are articulated to one another so one of the respective ends of the upper and lower members remain articulated while the other of the respective ends of the upper and lower members are free to move away from one another. In a preferred embodiment, the articulating is achieved without a third member, such as an axle shaft, for example, passing through the implant. The articulating structure preferably is formed into the implant walls themselves, and in a further preference in such a way that the two-implant halves may be articulated when at 90 degrees to each other. The halves then are moved, much like a book closing, toward each other prior to insertion into the implantation space in the spine. Once the upper and lower members are closed from the approximately 90 degrees articulating position, much like closing the leaves of a book, the upper and lower members of the implant are locked together at the articulation so that the members will not disarticulate when in use. Other types of articulation as would be known to one of ordinary skill in the art are within the scope of the present invention.

By way of example, the upper and lower members preferably have a cooperating rotational articulation or pivot point between a proximate one of the proximal end and the distal end of the upper and lower members. The cooperating rotational articulation preferably is proximate one of the proximal end and the distal end of the upper and lower members at an end opposite the expander when only one end is to be expanded. A preferred rotational articulation configuration includes cooperating brackets and projections configured such that articulation therebetween occurs when the upper and lower members are substantially perpendicular to one another. Such a configuration offers the advantage that the brackets and the projections will not disengage one another when articulated for use such as insertion into the spine and subsequent expansion within a range of movement of the upper and lower members resulting from the expander positioning.

At least one and preferably both of the upper and lower members may have a screw hole passing through the trailing

end, which preferably is adapted to receive a screw passing through the end of each of the upper and lower members and from the interior of the implant through the upper and lower surfaces, respectively, into each of the adjacent vertebral bodies to anchor the implant. The screw and implant combination stabilize those vertebral bodies relative to each other, prevent undesirable motion at the vertebral body implant interfaces, increase the compressive load at the implant trailing end, prevent rocking; and thus mitigate against excessive peak loads and more uniformly distribute loads imparted to the implant over the length of the implant to the adjacent vertebral bodies.

The trailing end of the implant preferably has a tool-engaging portion, but the implant may be adapted to cooperatively engage a driver at another location or by any means as would be known to one of ordinary skill in the art. This tool-engaging portion is adapted to engage an insertion tool that holds the implant during insertion into position in the spine. The configuration of the tool-engaging portion may be an opening, and more particularly an opening that is along the longitudinal axis of the implant. It is appreciated that the tool-engaging portion need not be an opening. A hole or a blind hole, threaded or otherwise, is preferred in another embodiment. In another preferred embodiment the opening preferably is a threaded slot that functions to cooperatively engage and disengage a tool for use in inserting the implant. In specific embodiments, the leading or trailing end may have wall portions, and/or be adapted to cooperatively engage a cap. Either the end wall portions or a cap may have an opening or openings that may function to hold fusion-promoting materials within the implant and/or, permit vascular access and bone growth therethrough.

For an embodiment of an implant of the present invention having one expander, the main access opening is preferably at the end opposite from the expander. The main opening may be at either the distal or proximal end of the implant. The end of the upper and lower members containing the expander may serve as a secondary access opening.

By way of example, an implant configured for insertion from an anterior approach may be initially packed from the distal or leading end of the implant. The implant is then driven into position. Once the expander is moved into final position and any associated tool for positioning the expander is withdrawn from the expander, any void in the bone packed into the implant interior may be filled. The expander may be moved from side-to-side to pack more bone into the implant. In essence, the side-to-side movement of the expander provides for a secondary access opening for accessing the hollow interior of the implant and for compressively loading it with fusion-promoting substances.

The accompanying drawings, which are incorporated in and constitute a part of this specification, are by way of example only and not limitation, and illustrate several embodiments of the invention, which together with the description, serve to explain the principles of the invention. The scope of the invention is limited only by the scope of the claims as from the present teachings other embodiments of the present invention shall be apparent to those skilled in the art.

BRIEF DESCRIPTION OF THE DRAWINGS

FIG. 1 is an exploded perspective view of a spinal fusion implant of one embodiment of the present invention;

FIG. 1A is a perspective view of an alternative embodiment of a blocker in the form of an expander for use with the spinal fusion implant of FIG. 1;

FIG. 1B is a perspective view of another alternative embodiment of a blocker for use with the spinal fusion implant of FIG. 1;

FIG. 1C is a perspective view of yet another alternative embodiment of a blocker for use with the spinal fusion implant of FIG. 1;

FIG. 2 is a leading end plan view of the implant of FIG. 1;

FIG. 3 is a top view of the implant of FIG. 1;

FIG. 4 is a trailing end view of the implant of FIG. 1;

FIG. 5 is a side view of the implant of FIG. 1;

FIG. 6 is a cross-sectional side view along the mid-longitudinal axis of the implant of FIG. 1;

FIG. 7 is front view of one embodiment of an expander of the present invention;

FIG. 8 is a side elevation view of the expander of FIG. 7;

FIG. 9 is a schematic representation of a geometric configuration of a cross-section of an expander in accordance with one embodiment of the present invention;

FIG. 10 is a leading end perspective view of the implant of FIG. 1;

FIG. 11 is a side view of the implant of FIG. 1 being inserted from a generally posterior approach to the spine into an implantation site formed across a disc space and two adjacent vertebral bodies of the spine shown in partial cross-section;

FIG. 12 is a side view of the implant of FIG. 11 inserted in an implantation site formed across the disc space and two adjacent vertebral bodies of the spine;

FIG. 13 is a cross-sectional side view of the implant of FIG. 11 with the implant in an expanded position inserted in an implantation site formed across the disc space and two adjacent vertebral bodies of the spine;

FIG. 14 is a top view of two implants of FIG. 1 implanted in a final position upon the lower vertebral body of an implantation site formed posteriorly across a disc space;

FIG. 15 is a cross-section leading end view of the implant of FIG. 1 implanted between adjacent vertebral bodies so as to show the expander in the initial insertion position;

FIG. 16 is a cross-section leading end view of the implant of FIG. 1 implanted between adjacent vertebral bodies so as to show the expander in the final deployed position;

FIG. 17 is an exploded perspective view of a spinal fusion implant of another embodiment of the present invention;

FIG. 18 is a trailing end view of the implant of FIG. 17;

FIG. 19 is a top view of the implant of FIG. 17 with expander tracks shown in dashed lines;

FIG. 20 is a leading end view of the implant of FIG. 17;

FIG. 21 is a side view of the implant of FIG. 17;

FIG. 22 is a cross-sectional side view along the mid-longitudinal axis of the implant of FIG. 17;

FIG. 23A is a partial cross sectional view of an embodiment of an interlocking wall design shown in the collapsed state for implants of the present invention; FIG. 23B is a partial cross sectional view of an embodiment of the interlocking wall design of FIG. 23A shown in a partially expanded position for implants of the present invention;

FIG. 24 is a cross-sectional side view of an implantation site formed anteriorly across the disc space between two adjacent vertebral bodies and the implant of FIG. 17 being installed into the implantation site;

FIG. 24A is a side view of an alternative implant having an anatomically shaped upper and lower surface for insertion from the anterior aspect of the spine;

FIG. 25 is a cross-sectional side view of the implantation site formed across the space between two adjacent vertebral bodies and the implant of FIG. 17 installed into the implantation site;

FIG. 26 is a cross-sectional side view of the implantation site formed across the space between two adjacent vertebral bodies and of the implant of FIG. 17 installed into the implantation site in the final deployed position with upper and lower surfaces in angular orientation to one another and bone screws installed to anchor the implant;

FIG. 27 is a cross-sectional side view of the implantation site formed across the space between two adjacent vertebral bodies and of the implant of FIG. 17 installed into the implantation space in the final deployed position with upper and lower surfaces in parallel orientation to one another and bone screws installed to anchor the implant;

FIG. 28 is a top view the implant of FIG. 17 implanted in a final position upon the lower vertebral body of an implantation site formed anteriorly across a disc space with expander tracks shown in dashed lines and bone screws installed to anchor the implant;

FIG. 29 is a cross-sectional side view of an alternative embodiment of an implant of the present invention with a pivoting trailing end that is also a blocker with the trailing end in the open position;

FIG. 30 is a cross-sectional side view of an alternative embodiment of an implant of FIG. 29 with the trailing end in the closed position;

FIG. 31 is a trailing end perspective view of the implant of FIG. 30;

FIG. 32 is a partial fragmentary exploded front perspective view of an expandable interbody spinal fusion implant with expanding and locking end cap in accordance with a preferred embodiment of the present invention;

FIG. 32A is a rear perspective view of the end cap of FIG. 32;

FIG. 33 is a rear elevation view of the implant of FIG. 32;

FIG. 34 is a rear elevation view of the implant of FIG. 32 in an expanded state and end cap inserted therein;

FIG. 35 is a side elevation view in partial cross section of the implant of FIG. 32 in an unexpanded state and end cap inserted therein;

FIG. 36 is a side elevation view in partial cross section of the implant of FIG. 32 in an expanded state and end cap inserted therein;

FIG. 37 is a fragmentary cross sectional side elevation view of the implant of FIG. 32 in an expanded state showing a lip portion of the implant trailing end against the outer perimeter of a recess in the end cap for preventing over-expansion of the implant;

FIG. 38 is a front perspective view of an expandable interbody spinal fusion implant with expanding and locking end cap in accordance with another preferred embodiment of the present invention;

FIG. 39 is a rear elevation view of the implant of FIG. 38;

FIG. 40 is a side elevation view in partial cross section of the implant of FIG. 38 in an unexpanded state and end cap being inserted therein;

FIG. 41 is a side elevation view in partial cross section of the implant of FIG. 38 in an expanded state and end cap inserted therein;

FIG. 42 is a trailing end view of another preferred embodiment of the implant of the present invention having four expanders and adapted to be inserted from an anterior approach to the spine;

FIG. 43 is a top plan view of the implant of FIG. 42 with bone screws installed;

FIG. 44 is a leading end view of the implant of FIG. 42;

FIG. 45 is a side elevation view of the implant of FIG. 43;

FIG. 46 is a top plan view of the lower member of the implant of FIG. 42;

FIG. 47 is a side view in partial cross section of a cap for use with the implant of FIG. 42;

FIG. 48 is a top plan view of a preferred embodiment of a bone screw for use with the implant of FIG. 42;

FIG. 49 is a side elevation view of the screw of FIG. 48;

FIG. 50 is an exterior facing side elevation view of another preferred embodiment of an implant of the present invention adapted to be inserted from a posterior approach to the spine preferably in pairs;

FIG. 51 is a top plan view of the implant of FIG. 50;

FIG. 52 is a leading end view of the implant of FIG. 50;

FIG. 53 is a trailing end view of the implant of FIG. 50;

FIG. 54 is an interior facing side elevation view of the implant of FIG. 50; and

FIG. 55 is a front elevation view of two disc levels of the lumbar spine showing the prior art depth of resection resulting from drilling through the bony endplate region of adjacent vertebral bodies and showing the endplate region on a vertebral body.

DESCRIPTION OF THE PREFERRED EMBODIMENTS

The following description is intended to be representative only and not limiting and many variations can be anticipated according to these teachings, which are included within the scope of this inventive teaching. Reference will now be made in detail to the preferred embodiments of this invention, examples of which are illustrated in the accompanying drawings.

Human vertebral bodies have a hard outer shell of compacted dense cancellous bone (sometimes referred to as the cortex) and a relatively softer, inner mass of cancellous bone. Just below the cortex adjacent the disc is a region of bone referred to herein as the "subchondral zone". As best shown in FIG. 55, the outer shell of compact bone (the bony endplate) adjacent to the spinal disc and cartilaginous endplate and the underlying subchondral zone are together herein referred to as the bony "end plate region" and, for the purposes of this application, is hereby so defined. In the lumbar spine the bony endplate is generally 2 mm deep. By way of example, prior art threaded implants requiring approximately a 3 mm drill depth into the vertebral body will have threads of approximately 1 mm or more resulting in a total depth of penetration into the vertebral body of 4 mm or more. The implant of the present invention and associated method permits the implant to penetrate into the vertebral bodies to a depth of less than 3 mm or not to penetrate into the vertebral bodies.

Shown in FIGS. 1-6 and 10-16, in accordance with the present invention, as embodied and broadly described herein, is one embodiment of an expandable push-in artificial interbody spinal fusion implant 100 for posterior insertion across a disc space D between two adjacent vertebral bodies V of a human spine. Push-in implant 100 of the present invention includes an upper member 102 having an upper surface 104 adapted for placement toward and into contact with the upper of the adjacent vertebral bodies V and a lower member 106 having a lower surface 108 adapted for

placement toward and into contact with the lower of the adjacent vertebral bodies V. Upper and lower surfaces 104, 108 of upper and lower members 102, 106 have at least one opening 110, 112 in communication with one another for permitting for the growth of bone from vertebral body V to adjacent vertebral body V through implant 100. Upper and lower members 102, 106 are articulated therebetween at an adjacent one of the proximal ends and the distal ends of upper and lower members 102, 106 and allow for rotation between the articulating members at the end opposite the articulating end of implant 100. Upper and lower members 102, 106 have a first position relative to one another that allows for a collapsed implant height and a second position relative to one another that allows for an increased height. Upper and lower surfaces 104, 108 of upper and lower members 102, 106 in the first position of the present invention are parallel to one another. On an exterior 120 of each of opposed upper and lower surfaces 104, 108 of upper and lower members 102, 106 is at least one bone-engaging projection 118 adapted for linear insertion, which in one preferred embodiment is a ratchet. Alternatively, bone-engaging projection 118 can be a surface roughening, knurling, or any other configuration suitable for the intended purpose. While a specialized form of a blocker 121 is described in significant detail below with reference to expander 122, blocker 121 need not be in contact with upper and lower members 102, 106 when implant 100 is initially inserted into the implantation space. Blocker 121 may be a block or any type of spacer that is inserted between the articulated upper and lower members 102, 106 after implant 100 is positioned so as to hold portions of the upper and lower members 102, 106 spaced apart the optimal height and angulation relative to one another. That is the implant may be expanded with an extrinsic tool and then the expanded portions held apart in the second position by a third body blocker placed therebetween. Further, a physician may be able to select from a series of blockers having different heights usable with the same implant. The present invention includes expanding the implant with a tool, such as a spreader or a distractor but is not limited to a scissors type, a rack and gear type, a threaded member type or any other specific type of movement mechanism. Each tool nevertheless preferably engages upper and lower implant members 102, 106 to urge them apart. Blocker 121 is then inserted into contact with upper and lower members 102, 106 to maintain implant 100 at an expanded height. The height of the gap created by expanding implant 100 may be measured so that the appropriately sized blocker 121 or specialized blocker, expander 122, may be inserted in implant 100 depending upon the amount of distraction of implant 100 desired by the surgeon.

Blocker 121 that is preferably in the form of expander 122 is located proximate at least one of the ends of the implant upper and lower members 102, 106 and holds at least a portion of upper and lower members 102, 106 apart so as to maintain the increased height of implant 100 and resist the collapse of implant 100 to the collapsed implant height. Expander 122 in the present embodiment increases the implant height as measured in a plane passing through the mid-longitudinal axis of implant 100 and upper and lower members 102, 106 during positioning of expander 122 and as may be desirable is capable of selectively increasing the height of the implant only.

Expander 122 in the present embodiment is adapted to rotate in a single direction approximately 90 degrees to move from an initial (first) insertion position 1, as best shown in FIGS. 1 and 10, to a final (second) deployed or

13

expanded position F, as best shown in FIG. 16, to increase the maximum height H of implant 100. Expander 122 preferably rotates in a plane perpendicular to the longitudinal axis L of implant 100 to increase the maximum height H of implant 100. During rotation, expander 122 remains in the same perpendicular plane relative to the longitudinal axis L of the implant. It is appreciated that an expander within the scope of the present invention may be designed to: rotate in either direction or both directions; rotate more than 40 degrees and less than 140 degrees; rotate more or less than 90 degrees; or rotate in a plane other than perpendicular.

Expander 122 has an opening 124 adapted to cooperatively engage a tool (not shown) used to rotate expander 122 to increase height H of implant 100. Opening 124 is adapted to cooperatively engage a tool that preferably rotates about an axis parallel to the longitudinal axis L of implant 100 to rotate expander 122 to increase height H of implant 100. Opening 124 also may be used as a passageway to pass fusion-promoting substances through expander 122 and into implant 100. It is appreciated that the expander may also include a projection, a detent, or any other configuration in place of or in addition to an opening so as to cooperatively engage a tool to move the expander.

In an alternative embodiment, expander 122 could have cutouts along any portion of its perimeter not involved in the actual rotation as shown in FIG. 1A. In another alternative embodiment, a blocker 121 having cutouts along a portion of its perimeter can be positioned into the implant as shown in FIG. 1B. The cutouts can be used to engage a raised area within the implant to lock blocker 121 or expander 122 into position or be used by the surgeon to grasp blocker 121 with a tool that cooperatively engages the cutouts to facilitate inserting blocker 121 into the implant. Rather than having an opening, a projection, a detent, or a central aperture, blocker 121 alternatively could have two or more recesses or holes placed on or through the proximal face to engage a tool as shown in FIG. 1C.

As shown in FIGS. 1, 10 and 16, in one preferred embodiment of the present invention for posterior insertion, expander 122 is located proximate the leading end 150 of upper and lower members 102, 106. In another embodiment shown in FIGS. 17–28 for anterior insertion, expanders 222 used in implant 200 are located proximate each of the trailing end 226 and leading end 250. An alternative embodiment of the present invention for anterior insertion shown in FIGS. 29–31 has an expander 322 located proximate trailing end 326 only of implant 300. Implant 100 preferably has an interior surface 128 and a hollow 130 defined therein. Expander 122 of the present embodiment is located proximate interior surface 128 and more particularly proximate interior surface 128 at leading end 150 of upper and lower members 102, 106. As is preferred, hollow 130 between the ends is unobstructed by expander 122 so as to allow for the unimpeded loading of the interior of the implant with the desired fusion-promoting substances; thus, loading the implant is easy. Further, this preferred configuration of implant 100 makes available all of the volume of the hollow to contain fusion-promoting substances and so as to permit for the growth of bone directly through the hollow unobstructed by the expander to adjacent vertebral bodies V. Unobstructed hollow 130 further allows for packing implant 100 with fusion-promoting substances. It is appreciated that depending on the intended results, the expander also may be located at distal end 126 or leading end 150 of upper and lower members 102, 106 or anywhere else within the implant. The unobstructed hollow preferably has no mechanism extending along the longitudinal axis of the implant

14

when finally deployed and the mechanism that moves the implant from a first position to a second position preferably does not move expander 122 longitudinally through the hollow portion. The expander may work by pivoting on a surface in contact with an interior wall portion of at least one of the upper and lower members 102, 106. Moreover, multiple expanders may be used in contact with upper and lower members 102, 106 at any location within implant 100.

An alternative embodiment of an expander used with the present invention includes an expander having an external thread that cooperates with converging threaded portions of the upper and lower members 102, 106 to expand the implant as the expander is rotated into position. Another alternative embodiment of an expander includes an expander having a cam configuration to expand the implant upon rotation.

The mechanism or tool used to move the expander is not part of the implant itself as the mechanism or tool is removed from the implant upon moving the expander, e.g. such as to rotate it into place and thus expand the implant to the final expanded position.

Expander 122 of the present embodiment moves upper and lower surfaces 104, 108 of upper and lower members 102, 106 from a parallel orientation P, as shown in FIGS. 11 and 12 where implant 100 is in a first position, to an angled orientation A, as shown in FIG. 13 where implant 100 is in a second position. It is appreciated that the expander also may move the upper and lower surfaces of the upper and lower members from a first height at each end to a second and greater height at each end.

FIG. 14 is a top view of two implants 100 implanted in a final position upon a lower vertebral body of an implantation site formed posteriorly across a disc. In an alternative embodiment the corners of the trailing end may be chamfered, radiused, or otherwise relieved to ensure that they do not protrude beyond the vertebral bodies and the leading end may be asymmetrical or otherwise shaped as may be beneficial for the intended purpose.

Similar implants may be used in the reverse direction, from anterior to posterior by moving the pivot to the leading end and having the expander at the trailing end. Thus, the implant will get taller at its trailing end instead of its leading end. This smaller width implant design can be used to do an anterior approach spinal fusion where the surgeon wants to put in two implants instead of one large implant as when the surgery is to be preformed laproscopically.

In this embodiment, each of upper and lower members 102, 106 structurally cooperate with expander 122 so as to keep it located so as to function for its intended purpose. Each of upper and lower members 102, 106 of the implant of FIG. 1 has a track 132, 134 within which expander 122 rotates. As best shown in FIGS. 1, 13, 15, and 16 track 132, 134 is configured to permit expander 122 to rotate therein and then to move from side to side within track 132, 134. Track 132 of upper member 102 and track 134 of lower member 106 are in the same plane and the plane is perpendicular to the longitudinal axis of implant 100. It is appreciated that the track of the upper and lower members may be in different planes. Such a track design may be used with an expander with a step in it or with offset tabs to engage tracks in different planes than one another. As with the expander, the tracks also may be at various angles to the longitudinal axis of the implant including parallel with the longitudinal axis of the implant. Tracks 132, 134 include sides 170 having cooperating surface 166 and expander 122 has corresponding cooperating surface 168 used to orient expander

15

122 in a predetermined location. Cooperating surface 166 of side 170 is a detent and corresponding cooperating surface 168 of expander 122 is a projection. The projection preferably projects toward expander 122 in a direction parallel to the longitudinal axis of implant 100. The detent and the projection preferably center expander 122 within implant 100 such that the axis of rotation of expander 122 coincides with the longitudinal axis of implant 100.

Other means for respectively engaging the implants and the expander position thereof are anticipated and within the scope of the present invention.

In rotating the expander, the longer dimension of the expander is substituted for the lesser dimension of the expander thus correspondingly increasing the maximum height of the implant from the first to the second position. As best shown in FIG. 9, the schematic representation of a geometric configuration of a cross-section of an expander 122 in accordance with one embodiment of the present invention, includes: a first dimension X corresponding to the height of expander 122 when implant 100 is initially inserted into the spine and to the width of expander 122 when expander 122 is rotated to increase height H of implant 100; and a second dimension Y corresponding to the width of expander 122 when implant 100 is initially inserted into the spine and to the height of expander 122 when expander 122 is rotated to increase height H of implant 100. Second dimension Y is greater than first dimension X. Expander 122 has an upper surface 136, a lower surface 138, and side surfaces 140 as defined when expander 122 is positioned after rotation to increase height H of implant 100. As used herein, the term "side surfaces" refers to those portions of expander 122 that extend from upper member 102 to lower members 106 after expander 122 has been rotated into its final deployed, or second position to increase the height H of implant 100. The "upper and lower" surfaces refer to those portions of expander 122 that are in contact with upper and lower members 102, 106 when implant 100 is in its second position and configuration and is fully expanded.

A preferred expander 122 is in the form of a modified rectangle or rhomboid. The expander generally has a longer dimension Y and a shorter dimension X. When the expander is inserted into a first position, the short dimension X spans the distance between upper member 102 to lower member 106 and when expander 122 is in the second position, the longer dimension Y of expander 122 spans the distance between upper and lower members 102, 106.

Expander 122 in one embodiment of the present embodiment has a cross-section with side surfaces 140 intersecting upper and lower surfaces 136, 138 at two junctions which may be diametrically opposed corners 142 and two diametrically opposed arcs 144. Arcs 144 are preferably each of the same radius and the modified hypotenuse MH between opposed arcs 144 generally approximates the distance between upper and lower surfaces 136, 138 such that, when expander 122 is rotated from an initial insertion position toward a final deployed position, no substantial over-distraction occurs between adjacent vertebral bodies V. The modified hypotenuse MH of this embodiment of the present invention may be equal, slightly less than, or slightly greater than dimension Y of expander 122. Having the modified hypotenuse MH be slightly greater than the dimension Y offers the advantage of having expander 122 stabilized by an over-center position, such that more energy would be required to derotate the expander than for it to remain in the deployed or second position. By "without substantial over-distraction" what is meant is that the modified hypotenuse MH length is closer to the expander dimension Y than to the

16

unmodified hypotenuse UH; and is selected to allow the implant to preferably operate in the range of elastic deformation of the tissues about the operated disc space. Corners 142 may form, but not necessarily, a 90-degree angle and have an unmodified hypotenuse dimension UH.

By way of example, consider one embodiment of expandable implant 100 of the present invention having an optimum expanded height of 18 mm for a given implantation space. Any implant bigger than 18 mm should not be used in this implantation space because during expansion of the implant, its height would move through the range of elastic deformation of the surrounding tissues and after that the implant would crush the vertebral bone or tear ligaments. Inserting an expander such that when the implant is fully expanded allows the implant to be 18 mm would be ideal. It may be that an implant having a 17.5 mm expanded height for this implantation space is nearly as good, but a 16 mm expanded height may be too short to fit tightly within the implantation space. Using a preferred rectangular expander without any modification to the hypotenuse that is adapted to expand the implant to the optimum 18 mm final height would require the expander to have a hypotenuse causing the implant to exceed the 18 mm expanded height temporarily during rotation of the expander. So turning the expander without a modified hypotenuse would break the vertebrae or tear the ligaments. In reverse, if one could not expand the implant to more than 18 mm without causing damage to the spine, then an implant selected to have an expander having a full unmodified hypotenuse so as to upon rotation temporarily cause the implant height to be 18 mm would in the finally expanded position allow the implant height to collapse such that there would be insufficient height for the implant to adequately distract the implantation space. Generally, the modified hypotenuse of the expander is closer in length to dimension Y of the expander than to the unmodified hypotenuse.

As best shown in FIG. 1 in this particular embodiment, expander 122 has a depth dimension Z that is less than that of first and second dimensions Y, X. Expander 122 of the present embodiment has a fixed shape during movement from initial insertion position to final deployed position F within implant 100.

While modified hypotenuse MH is illustrated as being between arcs 144 in this preferred embodiment, the configuration of expander 122 to form modified hypotenuse MH can take many forms, such that those junctions are relieved so as to have the desired lesser dimension therebetween, including arcs, chamfers, a series of angled surfaces, or any other shape so long as the modified hypotenuse MH is sufficiently reduced in dimension to function for the intended purpose according to the present teaching.

An embodiment of the present invention where modified hypotenuse MH is slightly greater than height Y offers the advantage of an over-center effect that locks expander 122 into place. In this instance, once expander 122 rotates past the diagonal of the modified hypotenuse MH, more force would be required to rotate it back from the final deployed position to its insertion position than in an embodiment where modified hypotenuse MH is equal to or less than height Y. Preferably, expander 122 offers a surgeon multiple sensory advantages including: the tactile feel of expander 122 going over center and locking into place; the visual of the handle of a tool rotating expander 122 such that the tool handle goes from perpendicular to parallel, the reverse, or other, to the disc space into place; and auditory from the sound of expander 122 snapping into place.

Each of upper and lower surfaces 136, 138 of expander 122 of the present embodiment lie generally in a plane and

17

are generally parallel to one another. For any implant it is anticipated that a physician may be able to select from a series of blockers or expanders allowing for varying the increase in the implant height. Side surfaces **140** and upper and lower surfaces **136**, **138** are oriented so as to substantially form a parallelogram. Any of a number of configurations for the expander for increasing the height of the implant is possible, based on the teachings of the present application and such configurations as would be known to one of skill in the art are anticipated within the scope of the present invention.

The implant may preferably have an overlapping step-cut wall junction between upper and lower members **102**, **106** which offers the advantage of increasing the lateral rigidity of implant **100** holding the implant in the closed first position until expanded, and to the extent desired retaining the fusion-promoting materials within. The wall junction may be either solid or perforated. As best shown in FIG. 1, upper member **102** in one embodiment of the preferred invention has interior walls **146** extending from each side of upper surface **104** toward lower member **106**. Interior wall **146** is aligned parallel to longitudinal axis L of implant **100**. Lower member **106** has an interior-contacting surface **148** adapted to contact or receive interior wall **146**.

In a preferred embodiment, upper and lower members **102**, **106** are articulated to one another so one of the respective ends of upper and lower members **102**, **106** remain articulated while the other of the respective ends of upper and lower members **102**, **106** are free to move away from one another. In a preferred embodiment the articulating means is achieved without a third member such as an axle shaft passing through the implant. The articulating means preferably is formed into the implant walls themselves in such a way that the two implant halves may be articulated when the halves are at 90 degrees to each other and then the halves are moved toward each other for insertion into the implantation space in the spine. The two halves are closed much like the cover of a book. The halves are locked together such that disarticulation will not occur when the implant is assembled for use. Any of a number of ways of articulating or joining upper and lower members **102**, **106** is possible.

As best shown in FIG. 1 in this embodiment, upper and lower members **102**, **106** of the present embodiment have a pivot point between adjacent distal ends **126** of upper and lower members **102**, **106**. The pivot point in the present embodiment is at the end of implant **100** opposite expander **122**. The pivot point of the present embodiment operates as a hinge or axle **152** but is formed out of the walls themselves so as to preferably not intrude into the implant interior or hollow or to block access thereto. Hinge **152** includes a projection **154** extending radially from each side of interior-contacting surface **148** of lower member **106** and a slotted bracket **156** extending from each side of upper member **102** for engaging projection **154**. Brackets **156** and projections **154** are configured such that engagement occurs when upper and lower members **102**, **106** are substantially perpendicular to one another. Brackets **156** and projections **154** are configured so as not to disengage within a range of movement of upper and lower members **102**, **106** that would occur when the implant is in use either during insertion or resulting from the expansion in height of implant **100**.

As best shown in FIGS. 10–12 and 15, interior-contacting surface **148** of lower member **108** of the present embodiment is unexposed when implant **100** is in initial insertion position I. As shown in FIG. 16, when implant **100** is in the expanded position F, implant **100** has a shape such that each

18

of upper and lower members **102**, **106** are separated by at least a portion of interior-contacting surface **148**, which in this position has an exposed side. The exposed side of the present embodiment is smooth and flat.

A slot **158** on implant **100** is adapted to receive in a lockable way a driver and to thereafter, if so desired by the surgeon, a cap that snaps into slot **158**. As discussed above, implant **100** has a leading end **150** and a trailing end **126**. One of the ends preferably has a tool-engaging portion. This tool-engaging portion is adapted to engage an insertion tool that holds implant **100** during insertion into position into the spine. The tool-engaging configuration may be an opening, and more particularly an opening that is along the longitudinal axis of the implant. Of course, the tool-engaging portion need not be an opening. A hole or a blind hole, threaded or otherwise, is preferred in another embodiment. In another preferred embodiment the opening preferably is a threaded slot that functions to cooperatively engage and disengage a tool for use in inserting implant **100**.

A cap having an exterior surface and an interior surface may be used to close trailing end **126** of implant **100**. The interior surface of the cap may have spaced slots about its circumference to facilitate a snap fit between the cap and the implant **100**. The cap and implant **100** can of course be adapted for either or both ends of implant **100**. Further, the cap may be solid or perforate and made of a surgical quality plastic that may be resorbable or of any other suitable material.

For a posterior approach implant, it may be desirable to have a cap on the trailing end. The trailing end of the implant in a posterior approach implant has direct exposure to the spinal canal where the spinal cord and nerve roots are located. A cap on a posterior approach implant may be for the purpose of sealing off the spinal canal from the fusion-promoting substances contained in the hollow interior of the implant so that no bone grows into the canal. Further, the present invention implant may be used in combination with chemical substances and/or compounds applied at the trailing end of the implant to inhibit scar formation, and the cap may be of benefit in shielding the fusion-promoting substances contained in the implant from these scar formation inhibiting chemicals and compounds. It may also be for the purposes identified herein used in association with the leading end cap of an anterior approach implant. An anterior approach implant may have a leading end, trailing end, or both ends that are adapted to engage a cap. One of the purposes for that cap includes restricting the passage of fusion-promoting substances so that they remain loaded within the implant. Another purpose of the cap may be to add structural support to the implant. The cap may be solid or it may have openings therethrough. Any such openings could allow for the loaded material to stay within the implant while providing for vascular access to allow for the ingrowth of blood vessels and the growth of bone through the end of the implant.

Shown in FIGS. 17–28, in accordance with the present invention, as embodied and broadly described herein, is an embodiment of an expandable push-in artificial interbody spinal fusion implant **200** for anterior insertion across a disc space D between two adjacent vertebral bodies V of a human spine. Push-in implant **200** of the present invention includes an upper member **202** having an upper surface **204** adapted for placement toward and in contact with the upper of the adjacent vertebral bodies V and a lower member **206** having a lower surface **208** adapted for placement toward and in contact with the lower of the adjacent vertebral bodies V. Implant **200** in FIGS. 24 through 28 is shown being

implanted into the spine from the anterior aspect with expanders 222 on the distal end 226 and leading end 250 of implant 200. While anterior and posterior aspect approaches have been illustrated herein, the present invention is not limited to these illustrated approaches. In particular, but not limited thereto, the push-in implant of the present invention also may be used in push-in implants for insertion from the translateral aspect of the spine as disclosed by Michelson in U.S. Pat. No. 5,860,973, which is incorporated herein by reference.

FIG. 24A is a side view of an alternative implant having an anatomically shaped upper and lower surface for insertion from the anterior aspect of the spine. The anatomical curvature may correspond to that of a disc or the surface of the vertebral endplate. In another embodiment, the upper and lower surfaces may have a relatively mild convexity in both directions, that is from leading to trailing end as well as side-to-side so as to better conform to the anatomical shape of the disc space or the vertebral endplates.

In accordance with this embodiment of the present invention, a second expander 222 is located at least in part between upper and lower members 202, 206 for moving at least a portion of the upper and lower members away from one another to increase the height of implant 200 defined by the maximum distance between upper and lower surfaces 104, 108 of upper and lower members 202, 206. All of the features described herein for the single expander 122 of implant 100 of FIGS. 1–16 may also be applicable to both expanders 222 of implant 200. Additionally, second expander 222 may be located proximate an end of implant 200 opposite other expander 222, thereby providing implant 200 the capability of being expanded at both ends 226, 250 of implant 200. The increased height of implant 200 resulting from moving two expanders 222 may be the constant or varied along the length of implant 200 according to the desired configuration of implant 200. FIGS. 25 and 26 show expanders 222 moving upper and lower surfaces 204, 208 from a parallel orientation to an angled orientation relative to one another. FIGS. 25 and 27 show alternative expanders 222 moving upper and lower surfaces 204, 208 from a first height parallel orientation to a second height parallel orientation. In both events upper and lower surfaces 204, 208 in the first or insertion position are parallel to one another over a substantial portion of the length of the implant.

As best shown in FIG. 17, tracks 232, 234 of upper and lower members 202, 206 of the second embodiment have a cooperating surface and expanders 222 have a corresponding cooperating surface that contacts the cooperating surface of tracks 232, 234 to orient expanders 222 in a predetermined location. The cooperating surfaces orient expanders 222 within implant 200 such that the axis of rotation of expanders 222 are parallel to the longitudinal axis of implant 200 and more particularly center expanders 222 within implant 200 such that the axis of rotation of expanders 222 coincide with longitudinal axis L of implant 200.

As best shown in FIGS. 25–28, another aspect of implant 200 is that its upper and lower members 202, 206 have screw holes 274 passing therethrough adapted to receive a screw 278 passing from the interior of implant 200 into adjacent vertebral bodies V to anchor implant 200 to an adjacent vertebral body V.

The articulation may be of one of two general types, examples of which are each herein disclosed. As shown in previously described embodiments of the present invention, the articulation may allow rotation about the articulation. A second type of articulation allows for both rotation and expansion at the point of articulation. An example of this is

shown in FIGS. 17 and 21, where a peg and hook design is utilized. In this example both functions, that is, rotation or pivoting, and captured or limited expansion with a fixed end point or stop, occur at the same location. Alternatively, and without departing from the teachings of the present invention, those functions can be divided. By way of example only, and not limitation, expansion can be allowed and controlled by an interlocking wall design, as shown by the interlocking members in the alternative embodiments of FIGS. 23A and 23B. FIG. 23A is a partial cross sectional view of an embodiment of an interlocking wall design shown in the collapsed state for implants of the present invention. FIG. 23B is a partial cross sectional view of an embodiment of the interlocking wall design of FIG. 23A shown in a partially expanded position for implants of the present invention. Various other structural features as would be obvious to one of ordinary skill in the art after the teachings herein can similarly be employed.

A fixed end point for the implant expansion is preferred for the proper functioning of the opposed bone screws. A purpose of the opposed bone screws is to rigidly secure the implant within the vertebral segment. A further purpose is to pull each of the adjacent vertebral bodies toward the implant and towards each other so as to have a construct resistant to the deleterious effects of vertebral rocking as may otherwise occur with spinal flexion and extension absent such restraint. If the articulation device captures the upper and lower members together, as in the embodiment of posterior implant 100 of FIGS. 1–16, by closely encircling a post then the implant cannot expand at that location. So the coupling mechanism of FIGS. 17 and 21 permit the upper and lower members to remain articulated, permit the implant to expand, and permit the screws to pull against the implant and each other, in opposite directions and to pull the bones toward each other. An optional extended slot and peg configuration may be added toward leading end 250 of implant 200, however, this is not needed to hold the implant together.

An alternative embodiment of an implant for use from the anterior approach is shown in FIGS. 29 through 31. In implant 300 blocker 322 takes the form of a trailing wall that articulates or hinges to the inside of implant 300. The trailing wall may be left open during insertion of implant 300 so as to trail behind the upper and lower members. Once implant 300 is implanted into position, the trailing wall is rotated about one of its ends and pushed into position and locked into place. This may occur by having the trailing wall contact an inclined plane that leads up to a notch into which the trailing wall locks into place. The trailing wall itself may also have at least one opening in it to permit the further loading of fusion-promoting materials into implant 300.

FIGS. 32–37 show a preferred embodiment of an expandable interbody spinal fusion implant 400 and an expanding and locking end cap 500 for use therewith in accordance with the present invention. As shown in FIGS. 32 and 33, implant 400 preferably has a trailing end 426 that includes openings 480 to permit for the growth of bone through implant 400. Implant 400 has a bone-engaging projection that is preferably one of ratchets, splines, knurling, or other surfaces roughenings to resist expulsion of the implant from the disc space after implantation.

As shown in FIGS. 35 and 36, by way of example, upper and lower members 402, 406 preferably have upper and lower screw holes 474 passing therethrough, each adapted to receive a bone screw 478 passing from the interior of implant 400 into an adjacent vertebral body to anchor implant 400 to an adjacent vertebral body. Bone screws are

not essential to the operation of the invention, but are preferable for providing added securement of the implant to the adjacent vertebral bodies.

In certain circumstances, upper and lower members **402**, **406** can move away from one another and merely securing upper and lower members **402**, **406** to the adjacent vertebral bodies with bone screws is not adequate. An example of such a circumstance occurs when the surgeon elects to approach the spine anteriorly, which generally requires severing and/or removing substantial portions of the anterior longitudinal ligament over the operated area. The anterior longitudinal ligament is positioned along the anterior spinal surface and prevents hyperextension of the spine as an individual bends backward. Because the anterior longitudinal ligament covers the anterior spinal surface, the surgeon must cut through this tough ligament to access the disc space below, compromising the stability of the spine. Specifically, the anterior longitudinal ligament is generally lax, except when an individual leans backward, then the ligament acts as a tension band resisting elongation. If the anterior longitudinal ligament is damaged, there is no check on that spinal movement and the vertebral bodies may detrimentally angulate. Thus, a mechanism is needed to prevent movement of the upper and lower members relative to one another beyond a predetermined amount.

FIGS. **32–33** show expanding and locking end cap **500** for use with implant **400**. The end cap is capable of one or more of the following functions: (1) expands the implant by moving the upper and lower members apart, (2) maintains the implant in an expanded state by holding at least a portion of the upper and lower members apart so as to maintain the increased height of the implant and resist the collapse of the implant to the collapsed implant height, (3) prevents the implant from expanding beyond a predetermined amount by engaging at least a portion of the upper and lower members, and (4) locks bone screws to the implant by blocking the exit path of the bone screws in a direction opposite to the direction of insertion. Expansion of the implant preferably increases the implant height only, that is in a plane passing through the mid-longitudinal axis of the implant and the upper and lower members. In a preferred embodiment, the end cap is capable of performing all four of the aforementioned functions.

As shown in FIGS. **32** and **33**, trailing end **426** of implant **400** preferably has an opening **482** adapted to engage cap **500** and may also provide access to the interior of implant **400** for the purpose of introducing bone growth promoting materials therein. Upper and lower interior surfaces **484**, **486** of opening **482** preferably have a portion that extends beyond exterior trailing end surface **488**, forming upper lip portions **490** and lower lip portions **492**, respectively. When implant **400** is in an unexpanded state, the profile of upper and lower lip portions **490**, **492** preferably form the shape of at least a portion of an oval. In the expanded state of implant **400**, the profile of upper and lower lip portions **490**, **492** preferably becomes less oval and generally more circular in shape. For example, upper and lower lip portions **490**, **492** can be arcs of a circle such that in the expanded state, the arcs would be part of the same circle.

Cap **500** has a head **502** and a stem **504**. Head **502** has a perimeter preferably sized and shaped to cover at least a portion of upper and lower bone screw holes **474** so as to lock bone screws **478** to implant **400**. Head **502** has a top surface **506**, a bottom surface **508**, and a rim **510**. Top surface **506** has a tool engagement area **512** that is preferably adapted to cooperatively engage an insertion tool. Tool engagement area **512** preferably includes a hex-shaped

recess **514** and a groove **516** adapted to engage correspondingly-shaped tools, respectively. Other shapes are possible for tool engagement area **512** depending upon the type of insertion tool used with the present invention, all of which are within the broad scope of the present invention.

Top surface **506** of cap **500** preferably has a bevel **518** extending around the perimeter thereof to form a reduced profile. Top surface **506** may have any shape suitable for its intended purpose and it is preferable that such shape does not extend from trailing end **426** so as not to substantially interfere with delicate vascular and neurological structures adjacent thereto after implant **400** is installed in the spine.

As shown in FIG. **32A**, bottom surface **508** of cap **500** has a recess **520** proximate the perimeter of bottom surface **508** that is adapted to interact with upper and lower lip portions **490**, **492** of implant **400**. As described in further detail below, the interaction of lip portions **490**, **492** and recess **520** limits the over-expansion of implant **400**. Recess **520** has an inner perimeter **522**, an outer perimeter **524**, and a width therebetween adapted to accommodate the profiles of at least a portion of upper and lower lips **490**, **492** of implant **400** in both an unexpanded and expanded state. The surface of outer perimeter **524** forms a flange that acts as a stop against which upper and lower lip portions **490**, **492** of implant **400** are prevented from further movement away from the mid-longitudinal axis of implant **400** when implant **400** and cap **500** are engaged, as will be described in more detail below.

Stem **504** of cap **500** projects from bottom surface **508** and is sized and shaped to cooperatively engage opening **482** in trailing end **426** to expand implant **400** and to maintain implant **400** in an expanded state. Stem **504** preferably has a distal end **526** with tabs **528**, **530**, an upper surface **532**, a lower surface **534** opposite to upper surface **532**, and sides **536**, **538**. Tabs **528**, **530** are configured to engage the interior surface of trailing end **126** such that when properly positioned within opening **482**, tabs **528**, **530** prevent cap **500** from backing out of opening **482** of implant **400**.

Sides **536**, **538** of stem **504** are configured to cooperatively engage upper and lower interior surfaces **484**, **486** of opening **482**. Opening **482** may have any shape suitable for its intended purpose for interacting with stem **504**. For example, sides **536**, **538** may be beveled or rounded to accommodate rotational contact with upper and lower interior surfaces **484**, **486**. Stem **504** may have a generally rectangular cross-section or may have a cross-section with sides **536**, **538** intersecting the upper and the lower surfaces **532**, **534** at junctions, which may be two diametrically opposed corners and two diametrically opposed arcs. The two diametrically opposed arcs may be each L , of the same radius and, preferably, the diagonal or modified hypotenuse “MH” between the opposed arcs has a maximum dimension that generally approximates the distance between the upper and lower surfaces **532**, **534** such that, when stem **504** is rotated from a first insertion position toward a second/deployed position, no substantial over-distraction occurs between the adjacent vertebral bodies as would occur if the height of the implant was increased markedly beyond that obtained in the second/deployed position. The two diametrically opposed corners may form a 90-degree angle. Additionally, sides **536**, **538** may be configured to be divergent away from distal end **526** to better accommodate engagement with upper and lower interior surfaces **484**, **486** while implant **400** is in the expanded state.

FIGS. **34–36** show a preferred expansion of implant **400** by cap **500**. In FIG. **35**, stem **504** of cap **500** is inserted through opening **482** in trailing end **426** of implant **400**. After stem **504** is inserted into opening **482**, tabs **528**, **530**

extend beyond upper and lower interior surfaces **484, 486** of opening **482** and into the interior of implant **400**. Upper and lower surfaces **532, 534** of stem **504** are oriented toward upper and lower interior surfaces **484, 486** of opening **482**, respectively, such that implant **400** is in a collapsed state. As cap **500** is rotated 90° in either direction, sides **536, 538** of stem **504** cooperatively engage with upper and lower interior surfaces **484, 486** of opening **482**, forcing apart upper and lower members **402, 406** away from the mid-longitudinal axis of implant **400** to position implant **400** in an expanded state. The rotation of cap **500** moves upper and lower members **402, 406** from a generally parallel orientation shown in FIG. 35 to an angled orientation shown in FIG. 36. During expansion of implant **400**, upper and lower lip portions **490, 492** move within recess **520** of cap **500** until stem **504** ceases moving upper and lower interior surfaces **484, 486** away from the mid-longitudinal axis of implant **400**.

FIG. 37 shows a partial cross-section along line 37—37 of FIG. 34. As shown in FIG. 37, the maximum expansion of upper member **402** is reached when upper lip portions **490** are blocked from further motion away from the mid-longitudinal axis of implant **400** upon reaching outer perimeter **524** of recess **520**. Although not shown in FIG. 37, lower lip portions **492** similarly contact outer perimeter **524** of recess **520**. In this manner, the expansion of implant **400** beyond a predetermined amount is prevented. Tabs **528, 530** of stem **504** bear against the interior of implant **400** and prevent removal of end cap **500** from opening **482**. In the deployed position, end cap **500** locks implant **400** in an expanded state.

As shown in FIGS. 38–41, another preferred embodiment of the implant and end cap of the present invention is shown and generally referred to by the reference numbers **600** and **700**, respectively. Implant **600** is similar to implant **400**, except that opening **682** of implant trailing end **626** preferably has at least one thread **694** for cooperatively engaging with a threaded stem **404** of cap **700**.

Cap **700** is similar to cap **500**, except for differences noted below. Head **702** includes an upper cutout portion **740** and a lower cutout portion **742**, each being adapted to allow the passage of a bone screw **678** into implant **600** after cap **700** has been attached to implant **600**. Once bone screws **678** are inserted, cap **500** may be rotated such that at least a portion of head **702** covers each of screws **678**. Upper and lower cutout portions **740, 742** allow the surgeon the option of inserting bone screws **678** before or after attachment of cap **700** with implant **600**.

Stem **704** has at least one thread **748** along the mid-longitudinal axis of cap **700** for cooperatively engaging with threaded opening **682** of implant **600**. Distal end **726** of stem **704** has an upper surface **744** and a lower surface **746** that are convergent towards distal end **726** for assisting in the insertion of stem **704** into opening **682** of implant **600**.

As shown in FIGS. 40 and 41, cap **700** is inserted into trailing end **626** of implant **600**, preferably by aligning the edge of distal end **726** with the plane separating upper and lower members **602, 606**. Once upper and lower surfaces **744, 746** of distal end **726** are sufficiently within threaded opening **682** of implant trailing end **626**, cap **700** is rotated to allow stem thread **748** of cap **700** to cooperatively engage with threaded opening **682**. The engagement of stem thread **748** with threaded opening **682** spreads apart upper and lower members **602, 606** at least along a portion of the length of implant **600**. Continued rotation of cap **700** forces upper and lower lip portions **690, 692** to contact recess **720** of cap **700**. The pitch of thread **748** is preferably such that

as upper and lower lip portions **690, 692** reach recess **720**, they come into contact with at least a portion of the outer perimeter of recess **720**. Upon contact with recess **720**, upper and lower lip portions **690, 692** are prevented from further movement away from the mid-longitudinal axis of implant **600**.

Those skilled in the art will appreciate that although it is preferred to use a cap to prevent over-expansion of an expandable implant, the invention is not so limited. For example, the implant trailing end may be adapted to have lip portions along the trailing end interior surface for cooperatively engaging with a recess and/or flange to prevent over-expansion of the implant. In such an instance, an over-expansion inhibiting surface may operate without a stem and/or head by relying on additional surface features of the implant trailing end, for example, a key-way entry along the opening leading to the interior lip portions or a circumferential barrier beyond the interior lip portions for preventing the over-expansion surface from traveling too far into the implant interior. Although the expander implant cap has been described with respect to a threaded expanding spinal fusion implant, it may be adapted for use with any expandable spinal implants including any of the various implant embodiments disclosed herein.

FIGS. 42–46 show another preferred embodiment of the implant **800** that is adapted to be inserted from an anterior approach to the spine. In implant **800** two sets of expanders **822** are used, each set being located on one side of the mid-longitudinal axis of implant **800**. Depending upon the type of articulation used, expanders **822** may be rotated to confer a transverse angulation as well as longitudinal angulation to the upper and lower members of implant **800** in situations where such angulation is desired. All four expanders **822** may be used to expand the upper and lower members of implant **800** by the same or different amount relative to one another. This can be done to permit the surgeon to expand the leading and trailing ends or sides by varying degrees.

Another aspect of implant **800** is that its upper and lower members have screw holes passing therethrough adapted to receive a bone screw passing from the interior of implant **800** into adjacent vertebral bodies to anchor implant **800** to an adjacent vertebral body. A purpose of the opposed bone screws is to rigidly secure the implant within the vertebral segment. A further purpose is to pull each of the adjacent vertebral bodies toward the implant and towards each other.

FIG. 47 shows a preferred embodiment of an end cap **898** for locking the bone screws to implant **800**. The end cap is preferably configured to threadably engage the opening in the trailing end of implant **800**.

FIGS. 48 and 49 show a preferred embodiment of a bone screw **900** for use with implant **800**. Bone screw **900** preferably has a threaded head portion to threadably engage the screw holes of implant **800**. Bone screw **900** is self-locking since the thread pattern of the head is different from the thread pattern along the shaft of the screw that penetrates the bone. It is appreciated that bone screws are not essential to the operation of the invention, but are preferable for providing added securement of the implant to the adjacent vertebral bodies.

FIGS. 50–54 show another preferred embodiment of an implant **1000** of the present invention adapted to be inserted from a posterior approach to the spine. Implant **1000** is preferably installed in pairs, to either side of the mid-sagittal axis of the vertebral bodies. Each implant **1000** in the pair is preferably a mirror image of the other. Implant **1000** preferably has a leading end for placement toward the

anterior aspect of the vertebral bodies that is configured to conform to at least a portion of the anterior aspect of the vertebral bodies. The upper and lower members are preferably articulated at the trailing end of implant **1000**. An expander **1022** located proximate the leading end of implant **1000** is used to angulate the upper and lower members of implant **1000** to place the adjacent vertebral bodies in proper lordosis. Expander **1022** is manipulated by a tool inserted from a posterior approach through the trailing end of the implant. For insertion from an anterior approach to the spine, it is appreciated that in an alternative embodiment, expander **1022** may be located proximate the trailing end of the implant with the upper and lower members being articulated at the leading end of the implant.

The expandable push-in spinal fusion implant may include, be made of, treated, coated, filled, in combination with, or have a hollow for containing artificial or naturally occurring materials suitable for implantation in the human spine. These materials include any source of osteogenesis, bone growth promoting materials, bone derived substances, bone morphogenetic proteins, hydroxyapatite, genes coding for the production of bone, and bone including, but not limited to, cortical bone. The implant can also be formed of material such as metal including, but not limited to, titanium and its alloys or ASTM material, surgical grade plastics, plastic composites, ceramics, or other materials suitable for use as a push-in spinal fusion implant.

The implant can include in part of materials that are bioabsorbable in the body. The push-in implant of the present invention can be formed of a porous material.

The present invention is directed to expandable push-in implants only not including push-in implants having substantially arcuate upper and lower members oriented toward the adjacent vertebral bodies and designed to engage the vertebral bodies only along arcuate cuts therein typically formed by a drill. Further, the present invention is not directed to threaded implants requiring rotation for insertion into the implantation space in the spine. The implant of the present invention does not have a circular cross-section along a substantial portion of its length.

While various embodiments of the present invention are presented by way of example only and not limitation, common to each of them, is that the expandable push-in in spinal fusion implant adapted for linear insertion across disc space D between two adjacent vertebral bodies V of a human spine has an upper member having an upper surface adapted for placement toward and in contact with the upper of the adjacent vertebral bodies V. The implant also has a lower member having a lower surface adapted for placement toward and in contact with the lower of the adjacent vertebral bodies V. The upper and lower surfaces of the upper and lower members have at least one opening. The openings of the upper and lower surfaces are in communication with one another to permit for the growth of bone from vertebral body V to adjacent vertebral body V through the implant. Preferably, on the exterior of each of the opposed upper and lower surfaces of the upper and lower members is at least a portion of a bone-engaging projection adapted for linear insertion. A blocker in the form of an expander preferably is located proximate at least one of the ends to hold at least a portion of the upper and lower members apart from one another to increase the implant height.

There is disclosed in the above description and the drawings implants, which fully and effectively accomplish the objectives of this invention. However, it will be apparent that variations and modifications of the disclosed embodiments may be made without departing from the principles of the invention or the scope of the appended claims.

What is claimed is:

1. A push-in interbody spinal fusion implant for linear insertion at least in part across at least the surgically corrected height of a disc space between two adjacent vertebral bodies of a spine, said implant comprising:

a an upper member having an upper surface adapted for placement toward and into contact with one of the adjacent vertebral bodies from within the disc space, said upper surface being non-arcuate along a substantial portion of the length of said implant, and to remain in said plane while transitioning said upper and lower members from said first position to said second position said upper surface having at least one opening adapted to communicate with one of the adjacent vertebral bodies, said upper member having a proximal end and a distal end;

a lower member having a lower surface adapted for placement toward and into contact with the other of the adjacent vertebral bodies from within the disc space, said lower surface being non-arcuate along a substantial portion of the length of said implant, said lower surface having at least one opening adapted to communicate with the other of the adjacent vertebral bodies, said openings of said upper and lower surfaces being in communication with one another and adapted for permitting for the growth of bone from adjacent vertebral body to adjacent vertebral body through said implant and being sufficiently sized and located to allow for interbody spinal fusion through said implant, said lower member having a proximal end and a distal end corresponding to said proximal end and said distal end of said upper member, respectively, and a length between said proximal and distal ends, said upper and lower members articulating therebetween adjacent one of said proximal ends and said distal ends of said upper and lower members and allowing for expansion of the height of said implant, said upper and lower members having a first position relative to one another allowing for a collapsed implant height and a second position relative to one another allowing for an increased height; and

at least one blocker adapted to cooperatively engage and hold at least a portion of said upper and lower members apart so as to maintain the increased height of said implant and resist the collapse of said implant to the collapsed implant height when said implant is in a final deployed positions, said blocker being configured to rotate in a plane generally perpendicular to a longitudinal axis of said implant.

2. The push-in implant of claim **1**, further comprising a hollow defined between said upper and lower members in communication with said openings in each of said upper and lower surfaces, said hollow being adapted to receive fusion-promoting substances.

3. The push-in implant of claim **2**, wherein said hollow has a width that is unobstructed by any mechanism for moving said blocker.

4. The push-in implant of claim **2**, further comprising a second hollow between said upper and lower members located between said blocker and said end of said implant proximate said blocker.

5. The push-in implant of claim **1**, wherein said implant has a constant width in both the first position and the second position.

6. The push-in implant of claim **1**, wherein said blocker is located at least in part between said upper and lower members.

7. The push-in implant of claim 1, wherein said blocker is located at a predetermined location along the length of said implant and remains at the predetermined location in transitioning said implant from said first position to said second position.

8. The push-in implant of claim 1, wherein said blocker is located proximate at least one of said ends of said upper and lower members.

9. The push-in implant of claim 1, wherein said blocker is adapted to cooperatively engage a tool used to move said blocker from an initial position to a final position to increase the height of said implant, said tool not being a part of said implant and being removed from said implant after moving said blocker into the final position.

10. The push-in implant of claim 1, wherein said implant has a width and said blocker has a width less than the width of said implant.

11. The push-in implant of claim 1, wherein said implant has side walls and said blocker does not contact said side walls when said implant is in the final deployed position.

12. The push-in implant of claim 1, wherein each of said upper and lower members are adapted to cooperate with and to fixedly locate said blocker.

13. The push-in implant of claim 12, wherein each of said upper and lower members have a track configured to permit said blocker to seat therein.

14. The push-in implant of claim 13, wherein at least one of said tracks and said blocker are adapted to cooperate with each other to center said blocker along the longitudinal axis of said implant in at least the first position.

15. The push-in implant of claim 1, wherein said blocker moves said upper and lower surfaces of said upper and lower members from one of a parallel orientation and an angled orientation relative to one another in the first position to an angled orientation relative to one another in the second position.

16. The push-in implant of claim 1, further comprising a second blocker located between said upper and lower members for holding at least a portion of the upper and lower members apart where said second blocker is located.

17. The push-in implant of claim 1, wherein said blocker is an expander adapted to expand said implant from a first collapsed height to a second expanded height when moved from a first to a second position.

18. The push-in implant of claim 17, wherein said expander is located along the length of said implant.

19. The push-in implant of claim 17, wherein said expander is located proximate said proximal ends of said upper and lower members.

20. The push-in implant of claim 17, wherein said expander is located proximate said distal ends of said upper and lower members.

21. The push-in implant of claim 17, further comprising a hollow defined between said upper and lower members in communication with said openings in each of said upper and lower surfaces, said hollow being adapted to receive fusion-promoting substances said hollow being substantially unobstructed by said expander extending along a substantial portion of the length of said hollow so as to permit growth of bone from adjacent vertebral body to adjacent vertebral body through said implant.

22. The push-in implant of claim 17, wherein said expander remains in the same location along the longitudinal axis of the implant when rotated.

23. The push-in implant of claim 17, wherein said expander is located at a predetermined location along the length of said implant and remains so located in transitioning said implant from the first position to the second position.

24. The push-in implant of claim 17, wherein said expander is adapted to cooperatively engage a tool used to move said expander from an initial position to a final position to increase the height of said implant, said tool not being a part of said implant and being removed from said implant after moving said expander into the final position.

25. The push-in implant of claim 17, wherein said expander is adapted to cooperatively engage a tool that rotates about an axis parallel to the longitudinal axis of said implant to rotate said expander to increase the height of said implant.

26. The push-in implant of claim 17, wherein said expander moves said upper and lower surfaces of said upper and lower members from one of a parallel orientation and an angled orientation relative to one another in the first position to one of a parallel and an angled orientation relative to one another in the second position.

27. The push-in implant of claim 17, wherein each of said upper and lower members are adapted to cooperate with said expander.

28. The push-in implant of claim 27, wherein each of said upper and lower members have a track configured to permit said expander to rotate therein.

29. The push-in implant of claim 28, wherein said tracks permit said expander to move from side to side within said track.

30. The push-in implant of claim 28, wherein said track of said upper member and said track of said lower member are in the same plane.

31. The push-in implant of claim 28, wherein said track of said upper member and said track of said lower member are parallel to one another.

32. The push-in implant of claim 28, where said track of said upper member and said track of said lower member are in a plane perpendicular to the longitudinal axis of said implant.

33. The push-in implant of claim 28, wherein said upper and lower members structurally cooperate with said expander so as to keep said expander located within said implant.

34. The push-in implant of claim 28, wherein at least one of said tracks of said upper and lower members has a cooperating surface, said expander having a corresponding cooperating surface that contacts said cooperating surface of said at least one track to orient said expander in a predetermined location.

35. The push-in implant of claim 34, wherein said cooperating surfaces orient said expander within said implant such that the axis of rotation of said expander is parallel with the longitudinal axis of said implant.

36. The push-in implant of claim 35, wherein said cooperating surfaces center said expander within said implant such that the axis of rotation of said expander coincides with the longitudinal axis of said implant.

37. The push-in implant of claim 1, wherein said upper and lower members are configured to cooperate with one another so as to stop said upper and lower members from being moved apart from one another more than a predetermined distance.

38. The push-in implant of claim 27, wherein said upper and lower members are adapted to cooperate with said expander so as to center said expander within a cross section of the upper and lower members in at least one of the first and second positions.

39. The push-in implant of claim 28, wherein at least one of said tracks of said upper and lower members includes at least one side having a cooperating surface, said expander

having a corresponding cooperating surface that contacts said cooperating surface of said at least one side to orient said expander in a predetermined location.

40. The push-in implant of claim 39, wherein said cooperating surface of said at least one side is a detent and said corresponding cooperating surface of said expander is a projection.

41. The push-in implant of claim 40, wherein said detent and said projection center said expander within said implant such that the axis of rotation of said expander coincides with the longitudinal axis of said implant.

42. The push-in implant of claim 17, wherein said expander has a first height that is the height of said expander when said implant is initially inserted into the spine, said expander having a second height that is the height of said expander when said expander is moved into a final deployed position to increase the height of said implant, said second height being greater than said first height.

43. The push-in implant of claim 17, wherein said expander has an upper surface, a lower surface, and side surfaces as defined when said expander is positioned to increase the height of said implant, said side surfaces intersecting said upper and said lower surfaces at two pairs of diametrically opposed junctions.

44. The push-in implant of claim 43, wherein said two pairs of diametrically opposed junctions are a pair of diametrically opposed corners and a pair of diametrically opposed arcs.

45. The push-in implant of claim 43, wherein each of said upper and lower surfaces of said expander lie generally in a plane.

46. The push-in implant of claim 43, wherein said upper and lower surfaces of said expander are generally parallel to one another.

47. The push-in implant of claim 43, wherein said side surfaces and said upper and lower surfaces of said expander are oriented to substantially form portions of a parallelogram.

48. The push-in implant of claim 42, wherein the difference between said first height and said second height of said expander approximates the difference in height of said implant between said first position and said second position as measured proximate the location of said expander.

49. The push-in implant of claim 44, wherein said two diametrically opposed arcs are each of the same radius.

50. The push-in implant of claim 49, wherein the distance across said two diametrically opposed arcs generally approximates the distance between said upper and lower surfaces of said expander.

51. The push-in implant of claim 44, wherein said two diametrically opposed corners form a 90-degree angle.

52. The push-in implant of claim 17, wherein said expander has a depth dimension less than that of said first and second height of said expander.

53. The push-in implant of claim 52, wherein said expander has a fixed shape during movement from an initial insertion position to a final deployed position within said implant.

54. The push-in implant of claim 17, further comprising a second expander located between said upper and lower members for moving at least a portion of the upper and lower members away from one another to increase the maximum height of said implant where said second expander is located.

55. The push-in implant of claim 54, wherein said second expander rotates to increase the height of said implant.

56. The push-in implant of claim 54, wherein said second expander is located proximate an end of said implant opposite said end of said implant where said first expander is located.

57. The push-in implant of claim 54, wherein said second expander rotates in a plane perpendicular to the longitudinal axis of said implant to increase the height of said implant.

58. The push-in implant of claim 56, wherein said hollow is substantially unobstructed by said second expander extending along a substantial portion of the length of said hollow so as to permit growth of bone from adjacent vertebral body to adjacent vertebral body through said implant.

59. The push-in implant of claim 56, wherein said second expander remains in the same location along the longitudinal axis of the implant when rotated.

60. The push-in implant of claim 54, wherein said second expander is located proximate one of the proximal end and the distal end of said upper and lower members.

61. The push-in implant of claim 60, wherein said hollow is unobstructed by said second expander extending along a substantial portion of the length of said hollow to permit growth of bone from adjacent vertebral body to adjacent vertebral body through said implant.

62. The push-in implant of claim 60, further comprising at least a second hollow between said upper and lower member located between said second expander and said end of said implant proximate said second expander.

63. The push-in implant of claim 54, wherein each of said upper and lower members have a track within which said second expander rotates.

64. The push-in implant of claim 63, wherein said track is configured to permit said second expander to rotate therein and then to move from side to side within said track.

65. The push-in implant of claim 54, wherein said second expander has a first height corresponding to the height of said second expander when said implant is initially inserted into the spine, said second expander having a second height corresponding to the height of said second expander when said second expander is moved into a final deployed position to increase the height of said implant, said second height being greater than said first height.

66. The push-in implant of claim 54, wherein said second expander has an upper surface, a lower surface, and side surfaces as defined when said second expander is positioned to increase the height of said implant, and said side surfaces intersecting said upper and said lower surfaces at two diametrically opposed junctions.

67. The push-in implant of claim 66, wherein the difference between said first height and said second height of said second expander approximates the difference in height of said implant between said first position and said second position as measured proximate the location of said second expander.

68. The push-in implant of claim 1, wherein said upper and lower members have walls contacting one another.

69. The push-in implant of claim 68, wherein said walls are aligned parallel with the longitudinal axis of said implant.

70. The push-in implant of claim 68, wherein said walls are at least in part overlapping.

71. The push-in implant of claim 1, wherein said upper and lower members have a rotational articulation therebetween adjacent one of said proximal end and said distal end of said upper and lower members.

72. The push-in implant of claim 71, wherein said rotational articulation is at one of said proximal end and said distal end of said upper and lower members opposite said blocker.

73. The push-in implant of claim 71, wherein said rotational articulation allows for expansion.

74. The push-in implant of claim 73, wherein said rotational articulation allows for limited expansion.

75. The push-in implant of claim 71, wherein said rotational articulation is formed by said upper and lower members interdigitating so as to cooperatively engage.

76. The push-in implant of claim 75, wherein said rotational articulation is configured such that engagement occurs when said upper and lower members are substantially perpendicular to one another.

77. The push-in implant of claim 76, wherein said rotational articulation is configured to remain engaged within a range of movement of said upper and lower members resulting from positioning said implant in the second position.

78. The push-in implant of claim 1, wherein one of said upper and lower members has an interior wall, which is unexposed, extending therefrom toward the other of said upper and lower members when said implant is in an initial insertion position, and when said implant is in a final position said implant has a shape such that each of said upper and lower surfaces of said upper and lower members are separated by at least a portion of said interior wall, which now has an exposed side.

79. The push-in implant of claim 78, wherein said upper and lower members have side walls for engaging each other.

80. The push-in implant of claim 79, wherein said side walls of said upper and lower members are at least partially overlapping walls.

81. The push-in implant of claim 78, wherein said upper and lower surfaces of said upper and lower members form an angular orientation relative to one another when said implant is in the final position.

82. The push-in implant of claim 78, wherein said upper and lower surfaces of said upper and lower members are substantially planar and parallel when said implant is in the initial insertion position.

83. The push-in implant of claim 1, wherein said implant has an interior, at least one of said upper and lower surfaces has a screw hole passing therethrough adapted to receive a screw passing from said interior of said implant into one of the adjacent vertebral bodies.

84. The push-in implant of claim 83, wherein each of said upper and lower surfaces has at least one screw hole passing therethrough adapted to receive a screw passing from said interior of said implant into the adjacent vertebral body in contact with each of said upper and lower surfaces respectively.

85. The push-in implant of claim 83, further comprising at least one screw adapted to pass from said interior of said implant through said screw hole and into the adjacent vertebral body to anchor said implant to the adjacent vertebral body.

86. The push-in implant of claim 1, wherein said implant has a side surface when in a final position that is contoured to cooperate with another implant.

87. The push-in implant of claim 1, further comprising a cap for closing one of said proximal end and said distal end of said upper and lower members, said cap having an exterior surface and an interior surface.

88. The push-in implant of claim 87, wherein said interior surface of said cap has spaced slots about its circumference to facilitate a snap fit of said cap into said implant.

89. The push-in implant of claim 1, wherein said implant comprises an artificial material other than bone.

90. The push-in implant of claim 1, wherein said implant is made of an artificial material that is stronger than bone.

91. The push-in implant of claim 1, wherein said implant is made of an artificial material that is harder than bone.

92. The push-in implant of claim 31, wherein said implant comprises bone.

93. The push-in implant of claim 92, wherein said bone includes cortical bone.

94. The push-in implant of claim 1, wherein said implant comprises bone growth promoting material.

95. The push-in implant of claim 94, wherein said bone growth promoting material is selected from one of bone morphogenetic protein, hydroxyapatite, and genes coding for the production of bone.

96. The push-in implant of claim 1, wherein said implant is treated with a bone growth promoting substance.

97. The push-in implant of claim 1, wherein said implant is a source of osteogenesis.

98. The push-in implant of claim 1, wherein said implant is at least in part bioabsorbable.

99. The push-in implant of claim 1, wherein said implant comprises metal.

100. The push-in implant of claim 99, wherein said metal includes titanium.

101. The push-in implant of claim 1, wherein said implant comprises a plastic material.

102. The push-in implant of claim 1, wherein said implant comprises a ceramic material.

103. The push-in implant of claim 1, wherein said implant is formed of a porous material.

104. The push-in implant of claim 1, wherein said implant is formed of a material that intrinsically participates in the growth of bone from adjacent vertebral body to adjacent vertebral body through said implant.

105. The push-in implant of claim 1, wherein said implant has an interior surface and a hollow defined therein, said hollow being capable of containing bone growth promoting material.

106. The push-in implant of claim 105, wherein said bone growth promoting material is selected from one of bone morphogenetic protein, hydroxyapatite, and genes coding for the production of bone.

107. The push-in implant of claim 1, wherein said at least one opening is adapted to retain fusion-promoting materials.

108. The push-in implant of claim 1, wherein at least a portion of said implant is treated to promote bone ingrowth between said implant and said adjacent vertebral bodies.

109. The push-in implant of claim 1, in combination with a chemical substance to inhibit scar formation.

110. The push-in implant of claim 1, further comprising at least a portion of a bone-engaging projection adapted for linear insertion formed on the exterior of each of said upper and lower surfaces for penetrably engaging the adjacent vertebral bodies and to facilitate securing said implant into the spine.

111. The push-in implant of claim 110, wherein said bone-engaging projection is select from one of a ratchet, a surface roughening, and a knurling.

112. The push-in implant of claim 1, wherein said upper member has side walls extending from said upper surface toward said lower member.

113. The push-in implant of claim 1, wherein said lower member has side walls extending from said lower surface toward said upper member.

114. The push-in implant of claim 1, wherein said upper member has side walls extending from said upper surface toward said lower member and said lower member has side walls extending from said lower surface toward said upper member.

115. The push-in implant of claim 1, wherein said implant is substantially parallelepiped.

116. The push-in implant of claim **1**, wherein said implant has a width configured to be less than one-half the width of the disc space into which said implant is adapted to be inserted.

117. The push-in implant of claim **1**, wherein said implant has a width configured to be greater than one-half the width of the disc space into which said implant is adapted to be inserted.

118. The push-in implant of claim **1**, wherein said distal ends of said upper and lower members are symmetrical from side to side.

119. The push-in implant of claim **1**, wherein said distal ends of said upper and lower members are asymmetrical from side to side.

120. The push-in implant of claim **1**, in combination with a fusion promoting substance.

121. The push-in implant of claim **120**, wherein said fusion promoting substance includes at least one of bone, bone morphogenetic protein, hydroxyapatite, and genes coding for the production of bone.

122. The push-in implant of claim **1**, in combination with a tool for expanding said implant.

123. The combination of claim **122**, wherein said tool is one of a spreader and a distractor.

124. The push-in implant of claim **1**, in combination with a tool for inserting said implant at least in part into the disc space.

125. A push-in interbody spinal fusion implant for linear insertion at least in part across at least the surgically corrected height of a disc space between two adjacent vertebral bodies of a spine, said implant comprising:

an upper member having an upper surface adapted for placement toward and into contact with one of the adjacent vertebral bodies from within the disc space, said upper surface being non-arcuate along a substantial portion of the length of said implant, said upper surface having at least one opening adapted to communicate with one of the adjacent vertebral bodies, said upper member having a proximal end and a distal end;

a lower member having a lower surface adapted for placement toward and into contact with the other of the adjacent vertebral bodies from within the disc space, said lower surface being non-arcuate along a substantial portion of the length of said implant, said lower surface having at least one opening adapted to communicate with the other of the adjacent vertebral bodies, said openings of said upper and lower surfaces being in communication with one another and adapted for permitting for the growth of bone from adjacent vertebral body to adjacent vertebral body through said implant and being sufficiently sized and located to allow for interbody spinal fusion through said implant said lower member having a proximal end and a distal end corresponding to said proximal end and said distal end of said upper member, respectively, and a length between said proximal and distal ends, said upper and lower members articulating therebetween adjacent one of said proximal ends and said distal ends of said upper and lower members and allowing for expansion of the height of said implant, said upper and lower members having a first position relative to one another allowing for a collapsed implant height and a second position relative to one another allowing for an increased height; and

at least one expander adapted to expand said upper and lower members from the first position to the second position when moved from an expander insertion posi-

tion to a final deployed expander position, said expander being adapted to cooperatively engage and hold at least a portion of said upper and lower members apart so as to maintain the increased height of said implant and resist the collapse of said implant to the collapsed implant height when said implant is in a final deployed position, said expander having a first height corresponding to the height of said expander when said implant is initially inserted into the spine, said expander having a second height corresponding to the height of said expander when said expander is rotated into a final deployed position to increase the height of said implant, said second height of said expander being greater than said first height of said expander, said first height and said second height being in a plane.

126. The push-in implant of claim **125**, further comprising a hollow defined between said upper and lower members in communication with said openings in each of said upper and lower surfaces, said hollow being adapted to receive fusion-promoting substances, said hollow having a width that is substantially unobstructed by any mechanism for moving said expander.

127. The push-in implant of claim **125**, wherein said implant has a constant width in both the collapsed height and the increased height.

128. The push-in implant of claim **125**, wherein said implant has a width and said expander has a width less than the width of said implant.

129. The push-in implant of claim **125**, wherein said implant has a width and said expander has a width less than one half the width of said implant.

130. The push-in implant of claim **125**, wherein said implant has side walls and said expander does not contact said side walls when said implant is in the final deployed position.

131. The push-in implant of claim **125**, wherein said implant has a longitudinal axis and said expander rotates in a plane generally perpendicular to the longitudinal axis of said implant to increase the height of said implant.

132. The push-in implant of claim **125**, wherein said expander is located along the length of said implant.

133. The push-in implant of claim **125**, wherein said expander is located proximate said proximal ends of said upper and lower members.

134. The push-in implant of claim **125**, wherein said expander is located proximate said distal ends of said upper and lower members.

135. The push-in implant of claim **125**, wherein said expander remains in the same location along the longitudinal axis of the implant when rotated.

136. The push-in implant of claim **125**, wherein said expander is located at a predetermined location along the length of said implant and remains so located in transitioning said implant from the first position to the second position.

137. The push-in implant of claim **125**, wherein said expander is adapted to cooperatively engage a tool used to move said expander from an initial position to a final position to increase the height of said implant said tool not being a part of said implant and being removed from said implant after moving said expander into the final position.

138. The push-in implant of claim **125**, wherein said expander is adapted to cooperatively engage a tool that rotates about an axis parallel to the longitudinal axis of said implant to rotate said expander to increase the height of said implant.

139. The push-in implant of claim **138**, wherein said expander rotates in a plane perpendicular to the longitudinal axis of said implant to increase the height of said implant.

140. The push-in implant of claim 139, wherein said expander remains in the same location along the longitudinal axis of the implant wherein rotated.

141. The push-in implant of claim 125, wherein said expander moves said upper and lower surfaces of said upper and lower members from a parallel orientation to an angled orientation relative to one another.

142. The push-in implant of claim 125, wherein each of said upper and lower members are adapted to cooperate with said expander.

143. The push-in implant of claim 142, wherein each of said upper and lower members have a track configured to permit said expanded to rotate therein.

144. The push-in implant of claim 143, wherein said tracks permit said expander to move from side to side within said track.

145. The push-in implant of claim 143, wherein said track of said upper member and said track of said lower member are in the same plane.

146. The push-in implant of claim 143, wherein said track of said upper member and said track of said lower member are parallel to one another.

147. The push-in implant of claim 143, where said track of said upper member and said track of said lower member are in a plane perpendicular to the longitudinal axis of said implant.

148. The push-in implant of claim 125, wherein said upper and lower members structurally cooperate with said expander so as to keep said expander located within said implant.

149. The push-in implant of claim 143, wherein at least one of said tracks of said upper and lower members has a cooperating surface, said expander having a corresponding cooperating surface that contacts said cooperating surface of said at least one track to orient said expander in a predetermined location.

150. The push-in implant of claim 149, wherein said cooperating surfaces orient said expander within said implant such that the axis of rotation of said expander is parallel with the longitudinal axis of said implant.

151. The push-in implant of claim 150, wherein said cooperating surfaces center said expander within said implant such that the axis of rotation of said expander coincides with the longitudinal axis of said implant.

152. The push-in implant of claim 125, wherein said upper and lower members are configured to cooperate with one another so as to stop said upper and lower members from being moved apart from one another more than a predetermined distance.

153. The push-in implant of claim 142, wherein said upper and lower members are adapted to cooperate with said expander so as to center said expander within a cross section of the upper and lower members.

154. The push-in implant of claim 143, wherein at least one of said tracks of said upper and lower members includes at least one side having a cooperating surface, said expander having a corresponding cooperating surface that contacts said cooperating surface of said at least one side to orient said expander in a predetermined location.

155. The push-in implant of claim 154, wherein said cooperating surface of said at least one side is a detent and said corresponding cooperating surface of said expander is a projection.

156. The push-in implant of claim 155, wherein said detent and said projection center said expander within said implant such that the axis of rotation of said expander coincides with the longitudinal axis of said implant.

157. The push-in implant of claim 125, wherein said expander has an upper surface, a lower surface, and side surfaces as defined when said expander is positioned to increase the height of said implant, said side surfaces intersecting said upper and said lower surfaces at two diametrically opposed junctions.

158. The push-in implant of claim 157, wherein said two diametrically opposed junctions are a pair of diametrically opposed corners and a pair of diametrically opposed arcs.

159. The push-in implant of claim 157, wherein each of said upper and lower surfaces lie generally in a plane.

160. The push-in implant of claim 157, wherein said upper and lower surfaces of said expander are generally parallel to one another.

161. The push-in implant of claim 157, wherein said side surfaces and said upper and lower surfaces are oriented to substantially form a parallelogram.

162. The push-in implant of claim 125, wherein the difference between said first height and said second height of said expander approximates the difference in height of said implant between said first position and said second position as measured proximate the location of said expander.

163. The push-in implant of claim 158 wherein said two diametrically opposed arcs are each of the same radius.

164. The push-in implant of claim 163, wherein the distance across said two diametrically opposed arcs generally approximates the distance between said upper and lower surfaces of said expander.

165. The push-in implant of claim 158, wherein said two diametrically opposed corners form a 90-degree angle.

166. The push-in implant of claim 125, wherein said expander has a depth dimension less than that of said first and second height of said expander.

167. The push-in implant of claim 166, wherein said expander has a fixed shape during movement from an initial insertion position to a final deployed position within said implant.

168. The push-in implant of claim 125, further comprising a second expander located between said upper and lower members for moving at least a portion of the upper and lower members away from one another to increase the maximum height of said implant where said second expander is located.

169. The push-in implant of claim 168, wherein said second expander rotates to increase the height of said implant.

170. The push-in implant of claim 168, wherein said second expander is located proximate an end of said implant opposite said expander.

171. The push-in implant of claim 168, wherein said implant has a longitudinal axis and said second expander rotates in a plane perpendicular to the longitudinal axis of said implant to increase the height of said implant.

172. The push-in implant of claim 170, wherein said hollow is substantially unobstructed by said second expander extending along a substantial portion of the length of said hollow so as to permit growth of bone from adjacent vertebral body to adjacent vertebral body through said implant.

173. The push-in implant of claim 170, wherein said second expander remains in the same location along the longitudinal axis of the implant when rotated.

174. The push-in implant of claim 168, wherein said second expander is located proximate one of the proximal end and the distal end of said upper and lower members.

175. The push-in implant of claim 174, wherein said hollow is unobstructed by said second expander extending

along a substantial portion of the length of said hollow to permit growth of bone from adjacent vertebral body to adjacent vertebral body through said implant.

176. The push-in implant of claim 174, further comprising a second hollow between said upper and lower member located between said second expander and said end of said implant proximate said second expander.

177. The push-in implant of claim 168, wherein each of said upper and lower members have a track within which said second expander rotates.

178. The push-in implant of claim 177, wherein said track is configured to permit said second expander to rotate therein and then to move from side to side within said track.

179. The push-in implant of claim 168, wherein said second expander has a first height corresponding to the height of said second expander when said implant is initially inserted into the spine, said second expander having a second height corresponding to the height of said second expander when said second expander is moved into a final deployed position to increase the height of said implant, said second height being greater than said first height.

180. The push-in implant of claim 168, wherein said second expander has an upper surface, a lower surface, and side surfaces as defined when said second expander is positioned to increase the height of said implant, and said side surfaces intersecting said upper and said lower surfaces at two diametrically opposed junctions.

181. The push-in implant of claim 180, wherein the difference between said first height and said second height of said second expander approximates the difference in height of said implant between said first position and said second position as measured proximate the location of said second expander.

182. The push-in implant of claim 125, wherein said upper and lower members have walls contacting one another.

183. The push-in implant of claim 182, wherein said walls are aligned parallel with the longitudinal axis of said implant.

184. The push-in implant of claim 182, wherein said walls are at least in part overlapping.

185. The push-in implant of claim 125, wherein said upper and lower members have a rotational articulation therebetween adjacent one of said proximal end and said distal end of said upper and lower members.

186. The push-in implant of claim 185, wherein said rotational articulation is at one of said proximal end and said distal end of said upper and lower members opposite said expander.

187. The push-in implant of claim 185, wherein said rotational articulation allows for expansion.

188. The push-in implant of claim 187, wherein said rotational articulation allows for limited expansion.

189. The push-in implant of claims 185, wherein said rotational articulation is formed by said upper and lower members interdigitating so as to cooperatively engage.

190. The push-in implant of claim 189, wherein said rotational articulation is configured such that engagement occurs when said upper and lower members are substantially perpendicular to one another.

191. The push-in implant of claim 190, wherein said rotational articulation is configured to remain engaged within a range of movement of said upper and lower members resulting from positioning said implant in the second position.

192. The push-in implant of claim 125, wherein one of said upper and lower members has an interior wall, which is

unexposed, extending therefrom toward the other of said upper and lower members when said implant is in an initial insertion position, and when said implant is in a final position said implant has a shape such that each of said upper and lower surfaces of said upper and lower members are separated by at least a portion of said interior wall, which now has an exposed side.

193. The push-in implant of claim 192, wherein said tipper and lower members have side walls for engaging each other.

194. The push-in implant of claim 193, wherein said side walls of said upper and lower members are at least partially overlapping wall.

195. The push-in implant of claim 192, wherein said upper and lower surfaces of said upper and lower members form an angular orientation relative to one another when said implant is in the final position.

196. The push-in implant of claim 192, wherein said upper and lower surfaces of said upper and lower members are substantially planar and parallel when said implant is in the initial insertion position.

197. The push-in implant of claim 125, wherein said implant has an interior, at least one of said upper and lower surfaces has a screw hole passing therethrough adapted to receive a screw passing from said interior of said implant into one of the adjacent vertebral bodies.

198. The push-in implant of claim 197, wherein each of said upper and lower surfaces has at least one screw hole passing therethrough adapted to receive a screw passing from said interior of said implant into the adjacent vertebral body in contact with each of said upper and lower surfaces respectively.

199. The push-in implant of claim 197, further comprising at least one screw adapted to pass from said interior of said implant through said screw hole and into the adjacent vertebral body to anchor said implant to the adjacent vertebral body.

200. The push-in implant of claim 125, wherein said implant has a side surface when in a final position that is contoured to cooperate with another implant.

201. The push-in implant of claim 125, further comprising a cap for closing one of said proximal end and said distal end of said upper and lower members, said cap having an exterior surface and an interior surface.

202. The push-in implant of claim 201, wherein said interior surface of said cap has spaced slots about its circumference to facilitate a snap fit of said cap into said implant.

203. The push-in implant of claim 125, wherein said implant comprises an artificial material other than bone.

204. The push-in implant of claim 125, wherein said implant is made of an artificial material that is stronger than bone.

205. The push-in implant of claim 125, wherein said implant is made of an artificial material that is harder than bone.

206. The push-in implant of claim 125, wherein said implant comprises bone.

207. The push-in implant of claim 206 wherein said bone includes cortical bone.

208. The push-in implant of claim 125, wherein said implant comprises bone growth promoting material.

209. The push-in implant of claim 208, wherein said bone growth promoting material is selected from one of bone morphogenetic protein, hydroxyapatite, and genes coding for the production of bone.

210. The push-in implant of claim 125, wherein said implant is treated with a bone growth promoting substance.

211. The push-in implant of claim 125, wherein said implant is a source of osteogenesis.

212. The push-in implant of claim 125, wherein said implant is at least in part bioabsorbable.

213. The push-in implant of claim 125, wherein said implant comprises metal.

214. The push-in implant of claim 213, wherein said metal includes titanium.

215. The push-in implant of claim 125, wherein said implant comprises a plastic material.

216. The push-in implant of claim 125, wherein said implant comprises a ceramic material.

217. The push-in implant of claim 125, wherein said implant is formed of a porous material.

218. The push-in implant of claim 125, wherein said implant is formed of a material that intrinsically participates in the growth of bone from adjacent vertebral body to adjacent vertebral body through said implant.

219. The push-in implant of claim 125, wherein said implant has an interior surface and a hollow defined therein, said hollow being capable of containing bone growth promoting material.

220. The push-in implant of claim 219, wherein said bone growth promoting material is selected from one of bone morphogenetic protein, hydroxyapatite, and genes coding for the production of bone.

221. The push-in implant of claim 125, wherein said at least one opening is adapted to retain fusion-promoting materials.

222. The push-in implant of claim 125, wherein at least a portion of said implant is treated to promote bone ingrowth between said implant and said adjacent vertebral bodies.

223. The push-in implant of claim 125, in combination with a chemical substance to inhibit scar formation.

224. The push-in implant of claim 125, further comprising at least a portion of a bone-engaging projection adapted for linear insertion formed on the exterior of each of said upper and lower surfaces for penetrably engaging the adjacent vertebral bodies and to facilitate securing said implant into the spine.

225. The push-in implant of claim 224, wherein said bone-engaging projection is select from one of a ratchet, a surface roughening, and a knurling.

226. The push-in implant of claim 125, wherein said upper member has side walls extending from said upper surface toward said lower member.

227. The push-in implant of claim 125, wherein said lower member has side walls extending from said lower surface toward said upper member.

228. The push-in implant of claim 125, wherein said upper member has side walls extending from said upper surface toward said lower member and said lower member has side walls extending from said lower surface toward said upper member.

229. The push-in implant of claim 125, wherein said implant is substantially parallelepiped.

230. The push-in implant of claim 125, wherein said implant has a width configured to be less than one-half the width of the disc space into which said implant is adapted to be inserted.

231. The push-in implant of claim 125, wherein said implant has a width configured to be greater than one-half the width of the disc space into which said implant is adapted to be inserted.

232. The push-in implant of claim 125, wherein said distal ends of said upper and lower members are symmetrical from side to side.

233. The push-in implant of claim 125, wherein said distal ends of said upper and lower members are asymmetrical from side to side.

234. The push-in implant of claim 125, in combination with a fusion promoting substance.

235. The push-in implant of claim 234, wherein said fusion promoting substance includes at least one of bone, bone morphogenetic protein, hydroxyapatite, and genes coding for the production of bone.

236. The push-in implant of claim 125, in combination with a tool for expanding said implant.

237. The combination of claim 236, wherein said tool is one of a spreader and a distractor.

238. The push-in implant of claim 125, in combination with a tool for inserting said implant at least in part into the disc space.

239. A push-in interbody spinal fusion implant for linear insertion at least in part across at least the surgically corrected height of a disc space between two adjacent vertebral bodies of a spine, said implant comprising:

an upper member having an upper surface adapted for placement toward and into contact with one of the adjacent vertebral bodies from within the disc space, said upper surface being non-arcuate along a substantial portion of the length of said implant, said upper surface having at least one opening adapted to communicate with one of the adjacent vertebral bodies, said upper member having a proximal end and a distal end;

a lower member having a lower surface adapted for placement toward and into contact with the other of the adjacent vertebral bodies from within the disc space, said lower surface being non-arcuate along a substantial portion of the length of said implant, said lower surface having at least one opening adapted to communicate with the other of the adjacent vertebral bodies, said openings of said upper and lower surfaces being in communication with one another and adapted for permitting for the growth of bone from adjacent vertebral body to adjacent vertebral body through said implant and being sufficiently sized and located to allow for interbody spinal fusion through said implant, said lower member having a proximal end and a distal end corresponding to said proximal end and said distal end of said upper member, respectively, and a length between said proximal and distal ends, said upper and lower members articulating therebetween adjacent one of said proximal ends and said distal ends of said upper and lower members and allowing for expansion of the height of said implant, said upper and lower members having a first position relative to one another allowing for a collapsed implant height and a second position relative to one another allowing for an increased height; and

at least one expander adapted to cooperatively engage and hold at least a portion of said upper and lower members apart so as to maintain the increased height of said implant and resist the collapse of said implant to the collapsed implant height when said implant is in a final deployed position, said expander being adapted to expand said implant from a first collapsed height to a second expanded height when moved from a first to a second position, each of said upper and lower members being adapted to cooperate with said expander, each of said upper and lower members having a track configured to permit said expander to rotate therein, said tracks permitting said expander to move from side to side within said track.

240. The push-in implant of claim **239**, further comprising a hollow defined between said upper and lower members in communication with said openings in each of said upper and lower surfaces, said hollow being adapted to receive fusion-promoting substances.

241. The push-in implant of claim **240**, wherein said hollow has a width that is unobstructed by any mechanism for moving said blocker.

242. The push-in implant of claim **239**, wherein said implant has a constant width in both the first position and the second position.

243. The push-in implant of claim **239**, wherein said blocker is located at a predetermined location along the length of said implant and remains at the predetermined location in transitioning said implant from said first position to said second position.

244. The push-in implant of claim **239**, wherein said implant has a width and said blocker has a width less than the width of said implant.

245. The push-in implant of claim **239**, wherein said implant has side walls and said blocker does not contact said side walls when said implant is in the final deployed position.

246. The push-in implant of claim **239**, wherein said upper and lower members have a rotational articulation therebetween adjacent one of said proximal end and said distal end of said upper and lower members.

247. The push-in implant of claim **239**, wherein said implant is at least in part bioabsorbable.

248. The push-in implant of claim **239**, in combination with a chemical substance to inhibit scar formation.

249. The push-in implant of claim **239**, further comprising at least a portion of a bone-engaging projection adapted for linear insertion formed on the exterior of each of said upper and lower surfaces for penetrably engaging the adjacent vertebral bodies and to facilitate securing said implant into the spine.

250. The push-in implant of claim **249**, wherein said bone-engaging projection is select from one of a ratchet, a surface roughening, and a knurling.

251. The push-in implant of claim **239**, wherein said implant has a width configured to be less than one-half the width of the disc space into which said implant is adapted to be inserted.

252. The push-in implant of claim **239**, in combination with a fusion promoting substance.

253. The push-pin implant of claim **252**, wherein said fusion promoting substance includes at least one of bone, bone morphogenetic protein, hydroxyapatite, and genes coding for the production of bone.

254. The push-in implant of claim **239**, in combination with a tool for expanding said implant.

255. The combination of claim **254**, wherein said tool is one of a spreader and a distractor.

256. The push-in implant of claim **239**, in combination with a tool for inserting said implant at least in part into the disc space.

257. A push-in interbody spinal fusion implant for linear insertion at least in part across at least the surgically corrected height of a disc space between two adjacent vertebral bodies of a spine, said implant comprising:

an upper member having an upper surface adapted for placement toward and into contact with one of the adjacent vertebral bodies from within the disc space, said upper surface being non-arcuate along a substantial portion of the length of said implant, said upper surface having at least one opening adapted to com-

municate with one of the adjacent vertebral bodies, said upper member having a proximal end and a distal end; a lower member having a lower surface adapted for placement toward and into contact with the other of the adjacent vertebral bodies; from within the disc space, said lower surface being non-arcuate along a substantial portion of the length of said implant, said lower surface having at least one opening adapted to communicate with the other of the adjacent vertebral bodies, said openings of said upper and lower surfaces being in communication with one another and adapted for permitting for the growth of bone from adjacent vertebral body to adjacent vertebral body through said implant and being sufficiently sized and located to allow for interbody spinal fusion through said implant, said lower member having a proximal end and a distal end corresponding to said proximal end and said distal end of said upper member, respectively, and a length between said proximal and distal ends, said upper and lower members articulating therebetween adjacent one of said proximal ends and said distal ends of said upper and lower members and allowing for expansion of the height of said implant, said upper and lower members having a first position relative to one another allowing for a collapsed implant height and a second position relative to one another allowing for an increased height; and

at least one expander adapted to cooperatively engage and hold at least a portion of said upper and lower members apart so as to maintain the increased height of said implant and resist the collapse of said implant to the collapsed implant height when said implant is in a final deployed position, said expander being adapted to expand said implant from a first collapsed height to a second expanded height when moved from a first to a second position, said expander having an upper surface, a lower surface, and side surfaces as defined when said expander is positioned to increase the height of said implant said side surfaces intersecting said upper and said lower surfaces of the expander at two pairs of diametrically opposed junctions, one of said pair of diametrically opposed junctions being a pair of diametrically opposed arcs.

258. The push-in implant of claim **257**, further comprising a hollow defined between said upper and lower members in communication with said openings in each of said upper and lower surfaces, said hollow being adapted to receive fusion-promoting substances.

259. The push-in implant of claim **258**, wherein said hollow has a width that is unobstructed by any mechanism for moving said blocker.

260. The push-in implant of claim **257**, wherein said implant has a constant width in both the first position and the second position.

261. The push-in implant of claim **257**, wherein said blocker is located at a predetermined location along the length of said implant and remains at the predetermined location in transitioning said implant from said first position to said second position.

262. The push-in implant of claim **257**, wherein said implant has a width and said blocker has a width less than the width of said implant.

263. The push-in implant of claim **257**, wherein said implant has side walls and said blocker does not contact said side walls when said implant is in the final deployed position.

264. The push-in implant of claim **257**, wherein said upper and lower members have a rotational articulation

therebetween adjacent one of said proximal end and said distal end of said upper and lower members.

265. The push-in implant of claim **257**, wherein said implant is at least in part bioabsorbable.

266. The push-in implant of claim **257**, in combination with a chemical substance to inhibit scar formation.

267. The push-in implant of claim **257**, further comprising at least a portion of a bone-engaging projection adapted for linear insertion formed on the exterior of each of said upper and lower surfaces for penetrably engaging the adjacent vertebral bodies and to facilitate securing said implant into the spine.

268. The push-in implant of claim **267**, wherein said bone-engaging projection is select from one of a ratchet, a surface roughening, and a knurling.

269. The push-in implant of claim **257**, wherein said implant has a width configured to be less than one-half the width of the disc space into which said implant is adapted to be inserted.

270. The push-in implant of claim **257**, in combination with a fusion promoting substance.

271. The push-in implant of claim **270**, wherein said fusion promoting substance includes at least one of bone, bone morphogenetic protein, hydroxyapatite, and genes coding for the production of bone.

272. The push-in implant of claim **257**, in combination with a tool for expanding said implant.

273. The combination of claim **272**, wherein said tool is one of a spreader and a distractor.

274. The push-in implant of claim **257**, in combination with a tool for inserting said implant at least in part into the disc space.

275. The push-in implant of claim **257**, wherein the other of said two pairs of diametrically opposed junctions is a pair of diametrically opposed corners.

276. The push-in implant of claim **257**, wherein each of said upper and lower surfaces of said expander lie generally in a plane.

277. The push-in implant of claim **257**, wherein said upper and lower surfaces of said expander are generally parallel to one another.

278. The push-in implant of claim **257**, wherein said side surfaces and said upper and lower surfaces of said expander are oriented to substantially form portions of a parallelogram.

279. The push-in implant of claim **257**, wherein said two diametrically opposed arcs are each of the same radius.

280. The push-in implant of claim **257**, wherein the distance across said two diametrically opposed arcs generally approximates the distance between said upper and lower surfaces of said expander.

281. The push-in implant of claim **275**, wherein said two diametrically opposed corners form a 90-degree angle.

282. A push-in interbody spinal fusion implant for linear insertion at least in part across at least the surgically corrected height of a disc space between two adjacent vertebral bodies of a spine, said implant comprising:

an upper member having an upper surface adapted for placement toward and into contact with one of the adjacent vertebral bodies from within the disc space, said upper surface being non-arcuate along a substantial portion of the length of said implant, said upper surface having at least one opening adapted to communicate with one of the adjacent vertebral bodies, said upper member having a proximal end and a distal end; a lower member having a lower surface adapted for placement toward and into contact with the other of the

adjacent vertebral bodies from within the disc space, said lower surface being non-arcuate along a substantial portion of the length of said implant, said lower surface having at least one opening adapted to communicate with the other of the adjacent vertebral bodies, said openings of said upper and lower surfaces being in communication with one another and adapted for permitting for the growth of bone from adjacent vertebral body to adjacent vertebral body through said implant and being sufficiently sized and located to allow for interbody spinal fusion through said implant, said lower member having a proximal end and a distal end corresponding to said proximal end and said distal end of said upper member, respectively, and a length between said proximal and distal ends, said upper and lower members articulating therebetween adjacent one of said proximal ends and said distal ends of said upper and lower members and allowing for expansion of the height of said implant, said upper and lower members having a first position relative to one another allowing for a collapsed implant height and a second position relative to one another allowing for an increased height; and

at least one expander adapted to expand said upper and lower members from the first position to the second position when moved from an expander insertion position to a final deployed expander position, said expander being adapted to cooperatively engage and hold at least a portion of said upper and lower members apart so as to maintain the increased height of said implant and resist the collapse of said implant to the collapsed implant height when said implant is in a final deployed position, said expander having a first height corresponding to the height of said expander when said implant is initially inserted into the spine, said expander having a second height corresponding to the height of said expander when said expander is rotated into a final deployed position to increase the height of said implant, said second height of said expander being greater than said first height of said expander, said expander being configured to rotate in a plane generally perpendicular to a longitudinal axis of said implant.

283. The push-in implant of claim **282**, further comprising a hollow defined between said upper and lower members in communication with said openings in each of said upper and lower surfaces, said hollow being adapted to receive fusion-promoting substances.

284. The push-in implant of claim **283**, wherein said hollow has a width that is unobstructed by any mechanism for moving said blocker.

285. The push-in implant of claim **282**, wherein said implant has a constant width in both the first position and the second position.

286. The push-in implant of claim **282**, wherein said blocker is located at a predetermined location along the length of said implant and remains at the predetermined location in transitioning said implant from said first position to said second position.

287. The push-in implant of claim **282**, wherein said implant has a width and said blocker has a width less than the width of said implant.

288. The push-in implant of claim **282**, wherein said implant has side walls and said blocker does not contact said side walls when said implant is in the final deployed position.

289. The push-in implant of claim **282**, wherein said upper and lower members have a rotational articulation

therebetween adjacent one of said proximal end and said distal end of said upper and lower members.

290. The push-in implant of claim **282**, wherein said implant is at least in part bioabsorbable.

291. The push-in implant of claim **282**, in combination with a chemical substance to inhibit scar formation.

292. The push-in implant of claim **282**, further comprising at least a portion of a bone-engaging projection adapted for linear insertion formed on the exterior of each of said upper and lower surfaces for penetrably engaging the adjacent vertebral bodies and to facilitate securing said implant into the spine.

293. The push-in implant of claim **282**, wherein said bone-engaging projection is select from one of a ratchet, a surface roughening, and a knurling.

294. The push-in implant of claim **282**, wherein said implant has a width configured to be less than one-half the width of the disc space into which said implant is adapted to be inserted.

295. The push-in implant of claim **282**, in combination with a fusion promoting substance.

296. The push-in implant of claim **295**, wherein said fusion promoting substance includes at least one of bone, bone morphogenetic protein, hydroxyapatite, and genes coding for the production of bone.

297. The push-in implant of claim **282**, in combination with a tool for expanding said implant.

298. The combination of claim **297**, wherein said tool is one of a spreader and a distractor.

299. The push-in implant of claim **282**, in combination with a tool for inserting said implant at least in part into the disc space.

300. A push-in interbody spinal fusion implant for linear insertion at least in part across at least the surgically corrected height of a disc space between two adjacent vertebral bodies of a spine, said implant comprising:

an upper member having an upper surface adapted for placement toward and into contact with one of the adjacent vertebral bodies from within the disc space, said upper surface being non-arcuate along a substantial portion of the length of said implant, said upper surface having at least one opening adapted to communicate with one of the adjacent vertebral bodies, said upper member having a proximal end and a distal end;

a lower member having a lower surface adapted for placement toward and into contact with the other of the adjacent vertebral bodies from within the disc space, said lower surface being non-arcuate along a substantial portion of the length of said implant, said lower surface having at least one opening adapted to communicate with the other of the adjacent vertebral bodies, said openings of said upper and lower surfaces being in communication with one another and adapted for permitting for the growth of bone from adjacent vertebral body to adjacent vertebral body through said implant and being sufficiently sized and located to allow for interbody spinal fusion through said implant, said lower member having a proximal end and a distal end corresponding to said proximal end and said distal end of said upper member, respectively, and a length between said proximal and distal ends, said upper and lower members articulating therebetween adjacent one of said proximal ends and said distal ends of said upper and lower members and allowing for expansion of the height of said implant, said upper and lower members having a first position relative to one another allowing for a collapsed implant height and a second position relative to one another allowing for an increased height; and

at least one expander adapted to expand said upper and lower members from the first position to the second position when moved from an expander insertion position to a final deployed expander position, said expander being adapted to cooperatively engage and hold at least a portion of said upper and lower members apart so as to maintain the increased height of said implant and resist the collapse of said implant to the collapsed implant height when said implant is in a final deployed position, said expander having a first height corresponding to the height of said expander when said implant is initially inserted into the spine, said expander having a second height corresponding to the height of said expander when said expander is rotated into a final deployed position to increase the height of said implant, said second height of said expander being greater than said first height of said expander, each of said upper and lower members being adapted to cooperate with said expander, each of said upper and lower members having a track configured to permit said expander to rotate therein, said tracks permitting said expander to move from side to side within said track.

301. The push-in implant of claim **300**, further comprising a hollow defined between said upper and lower members in communication with said openings in each of said upper and lower surfaces, said hollow being adapted to receive fusion-promoting substances.

302. The push-in implant of claim **301**, wherein said hollow has a width that is unobstructed by any mechanism for moving said blocker.

303. The push-in implant of claim **300**, wherein said implant has a constant width in both the first position and the second position.

304. The push-in implant of claim **300**, wherein said blocker is located at a predetermined location along the length of said implant and remains at the predetermined location in transitioning said implant from said first position to said second position.

305. The push-in implant of claim **300**, wherein said implant has a width and said blocker has a width less than the width of said implant.

306. The push-in implant of claim **300**, wherein said implant has side walls and said blocker does not contact said side walls when said implant is in the final deployed position.

307. The push-in implant of claim **300**, wherein said upper and lower members have a rotational articulation therebetween adjacent one of said proximal end and said distal end of said upper and lower members.

308. The push-in implant of claim **300**, wherein said implant is at least in part bioabsorbable.

309. The push-in implant of claim **300**, in combination with a chemical substance to inhibit scar formation.

310. The push-in implant of claim **300**, further comprising at least a portion of a bone-engaging projection adapted for linear insertion formed on the exterior of each of said upper and lower surfaces for penetrably engaging the adjacent vertebral bodies and to facilitate securing said implant into the spine.

311. The push-in implant of claim **310**, wherein said bone-engaging projection is select from one of a ratchet, a surface roughening and a knurling.

312. The push-in implant of claim **300**, wherein said implant has a width configured to be less than one-half the width of the disc space into which said implant is adapted to be inserted.

313. The push-in implant of claim **300**, in combination with a fusion promoting substance.

314. The push-in implant of claim **313**, wherein said fusion promoting substance includes at least one of bone, bone morphogenetic protein, hydroxyapatite, and genes coding for the production of bone.

315. The push-in implant of claim **300**, in combination with a tool for expanding said implant.

316. The combination of claim **315**, wherein said tool is one of a spreader and a distractor.

317. The push-in implant of claim **300**, in combination with a tool for inserting said implant at least in part into the disc space.

318. A push-in interbody spinal fusion implant for linear insertion at least in part across at least the surgically corrected height of a disc space between two adjacent vertebral bodies of a spine, said implant comprising:

an upper member having an upper surface adapted for placement toward and into contact with one of the adjacent vertebral bodies from within the disc space, said upper surface being non-arcuate along a substantial portion of the length of said implant, said upper surface having at least one opening adapted to communicate with one of the adjacent vertebral bodies, said upper member having a proximal end and a distal end;

a lower member having a lower surface adapted for placement toward and into contact with the other of the adjacent vertebral bodies from within the disc space, said lower surface being non-arcuate along a substantial portion of the length of said implant, said lower surface having at least one opening adapted to communicate with the other of the adjacent vertebral bodies, said openings of said upper and lower surfaces being in communication with one another and adapted for permitting for the growth of bone from adjacent vertebral body to adjacent vertebral body through said implant and being sufficiently sized and located to allow for interbody spinal fusion through said implant, said lower member having a proximal end and a distal end corresponding to said proximal end and said distal end of said upper member, respectively, and a length between said proximal and distal ends, said upper and lower members articulating therebetween adjacent one of said proximal ends and said distal ends of said upper and lower members and allowing for expansion of the height of said implant, said upper and lower members having a first position relative to one another allowing for a collapsed implant height and a second position relative to one another allowing for an increased height; and

at least one expander adapted to expand said upper and lower members from the first position to the second position when moved from an expander insertion position to a final deployed expander position, said expander being adapted to cooperatively engage and hold at least a portion of said upper and lower members apart so as to maintain the increased height of said implant and resist the collapse of said implant to the collapsed implant height when said implant is in a final deployed position, said expander having a first height corresponding to the height of said expander when said implant is initially inserted into the spine, said expander having a second height corresponding to the height of said expander when said expander is rotated into a final deployed position to increase the height of said implant, said second height of said expander being greater than said first height of said expander, said expander having an upper surface, a lower surface, and side surfaces as defined when said expander is posi-

tioned to increase the height of said implant, said side surfaces intersecting said upper and said lower surfaces at two diametrically opposed junctions, one of said pair of diametrically opposed junctions being a pair of diametrically opposed arcs.

319. The push-in implant of claim **318**, further comprising a hollow defined between said upper and lower members in communication with said openings in each of said upper and lower surfaces, said hollow being adapted to receive fusion-promoting substances.

320. The push-in implant of claim **319**, wherein said hollow has a width that is unobstructed by any mechanism for moving said blocker.

321. The push-in implant of claim **318**, wherein said implant has a constant width in both the first position and the second position.

322. The push-in implant of claim **318**, wherein said blocker is located at a predetermined location along the length of said implant and remains at the predetermined location in transitioning said implant from said first position to said second position.

323. The push-in implant of claim **318**, wherein said implant has a width and said blocker has a width less than the width of said implant.

324. The push-in implant of claim **318**, wherein said implant has side walls and said blocker does not contact said side walls when said implant is in the final deployed position.

325. The push-in implant of claim **318**, wherein said upper and lower members have a rotational articulation therebetween adjacent one of said proximal end and said distal end of said upper and lower members.

326. The push-in implant of claim **318**, wherein said implant is at least in part bioabsorbable.

327. The push-in implant of claim **318**, in combination with a chemical substance to inhibit scar formation.

328. The push-in implant of claim **318**, further comprising at least a portion of a bone-engaging projection adapted for linear insertion formed on the exterior of each of said upper and lower surfaces for penetrably engaging the adjacent vertebral bodies and to facilitate securing said implant into the spine.

329. The push-in implant of claim **328**, wherein said bone-engaging projection is select from one of a ratchet, a surface roughening, and a knurling.

330. The push-in implant of claim **318**, wherein said implant has a width configured to be less than one-half the width of the disc space into which said implant is adapted to be inserted.

331. The push-in implant of claim **318**, in combination with a fusion promoting substance.

332. The push-in implant of claim **331**, wherein said fusion promoting substance includes at least one of bone, bone morphogenetic protein, hydroxyapatite, and genes coding for the production of bone.

333. The push-in implant of claim **318**, in combination with a tool for expanding said implant.

334. The combination of claim **333**, wherein said tool is one of a spreader and a distractor.

335. The push-in implant of claim **318**, in combination with a tool for inserting said implant at least in part into the disc space.

336. The push-in implant of claim **318**, wherein the other of said two pairs of diametrically opposed junctions is a pair of diametrically opposed corners.

337. The push-in implant of claim **318**, wherein each of said upper and lower surfaces of said expander lie generally in a plane.

49

338. The push-in implant of claim **318**, wherein said upper and lower surfaces of said expander are generally parallel to one another.

339. The push-in implant of claim **318**, wherein said side surfaces and said upper and lower surfaces of said expander are oriented to substantially form portions of a parallelogram.

340. The push-in implant of claim **318**, wherein said two diametrically opposed arcs are each of the same radius.

50

341. The push-in implant of claim **318**, wherein the distance across said two diametrically opposed arcs generally approximates the distance between said upper and lower surfaces of said expander.

342. The push-in implant of claim **336**, wherein said two diametrically opposed corners form a 90-degree angle.

* * * * *

UNITED STATES PATENT AND TRADEMARK OFFICE
CERTIFICATE OF CORRECTION

PATENT NO. : 6,962,606 B2
APPLICATION NO. : 10/011652
DATED : November 8, 2005
INVENTOR(S) : Michelson

Page 1 of 1

It is certified that error appears in the above-identified patent and that said Letters Patent is hereby corrected as shown below:

On the title page,

[*] Notice: Subject to any disclaimer, the term of this patent is extended or adjusted under 35 USC 154(b) by (282) days

Delete the phrase "by 282" and insert -- by 402 days--

Signed and Sealed this

First Day of May, 2007

A handwritten signature in black ink on a light gray dotted background. The signature reads "Jon W. Dudas" in a cursive style.

JON W. DUDAS
Director of the United States Patent and Trademark Office