



(12) **United States Patent**
Michelson

(10) **Patent No.:** **US 6,770,074 B2**
(45) **Date of Patent:** ***Aug. 3, 2004**

(54) **APPARATUS FOR USE IN INSERTING SPINAL IMPLANTS**

FOREIGN PATENT DOCUMENTS

(76) **Inventor:** **Gary Karlin Michelson**, 438 Sherman Canal, Venice, CA (US) 90291

DE	1961531	7/1970
DE	24 46 039	4/1975
DE	3101333 A1	12/1981

(*) **Notice:** This patent issued on a continued prosecution application filed under 37 CFR 1.53(d), and is subject to the twenty year patent term provisions of 35 U.S.C. 154(a)(2).

(List continued on next page.)

Subject to any disclaimer, the term of this patent is extended or adjusted under 35 U.S.C. 154(b) by 0 days.

OTHER PUBLICATIONS

Bagby, George W.; Wobbler Syndrome in Horses (the Ataxic Horse); Spokane Country Medical Society Bulletin; Spring 1979.

This patent is subject to a terminal disclaimer.

(List continued on next page.)

(21) **Appl. No.:** **09/991,579**

Primary Examiner—Michael A. Brown

(22) **Filed:** **Nov. 17, 2001**

(74) *Attorney, Agent, or Firm*—Martin & Ferraro, LLP

(65) **Prior Publication Data**

(57) **ABSTRACT**

US 2002/0077641 A1 Jun. 20, 2002

Related U.S. Application Data

(63) Continuation of application No. 09/605,001, filed on Jun. 27, 2000, which is a continuation of application No. 08/396,414, filed on Feb. 27, 1995, now Pat. No. 6,080,155.

Apparatus and a method of inserting spinal implants is disclosed in which an intervertebral space is first distracted, a hollow sleeve having teeth at one end is then driven into the vertebrae adjacent that disc space. A drill is then passed through the hollow sleeve removing disc and bone in preparation for receiving the spinal implant which is then inserted through the sleeve. Apparatus and a method of inserting spinal implants is disclosed in which an intervertebral space is first distracted to restore the normal angular relationship of the vertebrae adjacent to that disc space. An extended outer sleeve having extended portions capable of maintaining the vertebrae distracted in their normal angular relationship is then driven into the vertebrae adjacent that disc space. A drill is then passed through the hollow sleeve removing disc and bone in preparation for receiving the spinal implant which is then inserted through the sleeve.

- (51) **Int. Cl.**⁷ **A61B 17/56**
- (52) **U.S. Cl.** **606/61; 623/16.1; 623/17.1**
- (58) **Field of Search** **606/60, 61; 623/16.1, 623/17.1**

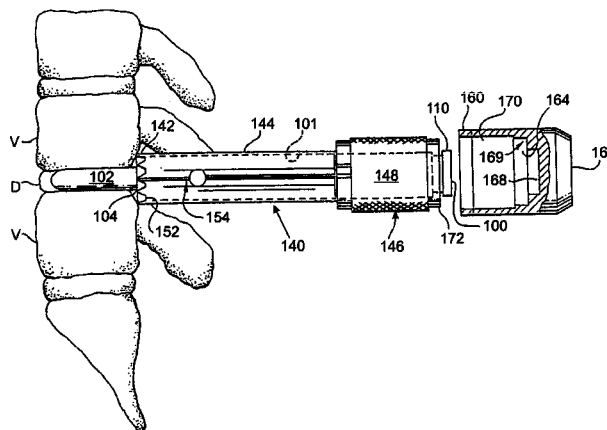
(56) **References Cited**

U.S. PATENT DOCUMENTS

350,420 A	10/1886	Dillon
1,137,585 A	4/1915	Craig
2,065,659 A	12/1936	Cullen
2,181,746 A	11/1939	Siebrandt
2,243,718 A	5/1941	Moreira

(List continued on next page.)

505 Claims, 32 Drawing Sheets



US 6,770,074 B2

U.S. PATENT DOCUMENTS					
			4,386,603 A	*	6/1983 Mayfield 128/69
2,372,622 A	3/1945	Fassio	4,401,112 A		8/1983 Rezaian
2,514,665 A	7/1950	Myller	4,405,319 A		9/1983 Cosentino
2,537,070 A	1/1951	Longfellow	4,414,979 A		11/1983 Hirshorn et al.
2,543,780 A	3/1951	Hipps et al.	4,423,721 A		1/1984 Otte et al.
2,677,369 A	5/1954	Knowles	4,439,152 A		3/1984 Small
2,774,350 A	12/1956	Cleveland	4,450,834 A		5/1984 Fischer
2,789,558 A	4/1957	Rush	4,484,570 A		11/1984 Sutter et al.
2,832,343 A	4/1958	Mose	4,492,226 A		1/1985 Belykh et al.
2,842,131 A	7/1958	Smith	4,497,320 A		2/1985 Nicholson et al.
2,878,809 A	3/1959	Treace	4,501,269 A		2/1985 Bagby
3,128,768 A	4/1964	Geistauts	4,507,115 A		3/1985 Kambara et al.
3,298,372 A	1/1967	Feinberg	RE31,865 E		4/1985 Roux
3,426,364 A	2/1969	Lumb	4,530,360 A		7/1985 Duarte
3,486,505 A	* 12/1969	Morrison	4,535,374 A		8/1985 Anderson et al.
3,604,487 A	9/1971	Gilbert	4,535,485 A		8/1985 Ashman et al.
3,605,123 A	9/1971	Hahn	4,542,539 A		9/1985 Rowe, Jr. et al.
3,618,611 A	11/1971	Urban	4,545,374 A		10/1985 Jacobson
3,709,219 A	1/1973	Halloran	4,547,390 A		10/1985 Ashman et al.
3,719,186 A	3/1973	Merig, Jr.	4,549,547 A		10/1985 Brighton et al.
3,720,959 A	3/1973	Hahn	4,552,200 A		11/1985 Sinha et al.
3,750,652 A	8/1973	Sherwin	4,553,273 A		11/1985 Wu
3,848,601 A	* 11/1974	Ma	4,554,914 A		11/1985 Kapp et al.
3,855,638 A	12/1974	Pilliar	D281,814 S		12/1985 Pratt et al.
3,867,728 A	2/1975	Stubstad et al.	4,570,623 A		2/1986 Ellison et al.
3,867,932 A	* 2/1975	Huene 128/92 E	4,570,624 A		2/1986 Wu
3,867,950 A	2/1975	Fischell	4,592,346 A		6/1986 Jurgutis
3,875,595 A	4/1975	Froning	4,599,086 A		7/1986 Doty
3,888,260 A	6/1975	Fischell	4,600,000 A		7/1986 Edwards
3,892,232 A	7/1975	Neufeld	4,602,638 A		7/1986 Adams
3,905,047 A	9/1975	Long	4,604,995 A		8/1986 Stephens
3,915,151 A	10/1975	Kraus	4,608,052 A		8/1986 Van Kampen et al.
3,916,907 A	11/1975	Peterson	4,611,581 A		9/1986 Steffee
3,918,440 A	11/1975	Kraus	4,619,264 A		10/1986 Singh
3,942,535 A	3/1976	Schulman	4,628,921 A		12/1986 Rouso
3,948,262 A	4/1976	Zaffaroni	4,634,720 A		1/1987 Dorman et al.
3,952,334 A	4/1976	Bokros et al.	4,636,217 A		1/1987 Ogilvie et al.
3,987,499 A	10/1976	Scharbach et al.	4,636,526 A		1/1987 Dorman et al.
4,016,651 A	4/1977	Kawahara et al.	4,645,503 A		2/1987 Lin et al.
4,027,392 A	6/1977	Sawyer et al.	4,653,486 A		3/1987 Coker
D245,259 S	8/1977	Shen	4,653,509 A		3/1987 Oloff et al.
4,051,905 A	10/1977	Kleine	4,655,777 A		4/1987 Dunn
4,059,115 A	* 11/1977	Jumashev 128/317	4,661,536 A		4/1987 Dorman et al.
4,070,514 A	1/1978	Entherly et al.	4,664,567 A		5/1987 Edwards
4,082,097 A	4/1978	Mann et al.	4,665,920 A		5/1987 Campbell
4,086,701 A	5/1978	Kawahara et al.	4,677,883 A		7/1987 Lee
4,124,026 A	11/1978	Berner et al.	4,677,972 A		7/1987 Tornier
4,142,517 A	3/1979	Stavropoulos et al.	4,693,721 A		9/1987 Ducheyne
4,168,326 A	9/1979	Broemer et al.	4,696,290 A		9/1987 Steffee
4,175,555 A	11/1979	Herbert	4,698,375 A		10/1987 Dorman et al.
4,177,524 A	12/1979	Grell et al.	4,710,075 A		12/1987 Davison
4,181,457 A	1/1980	Holmes	4,713,004 A		12/1987 Linkow et al.
4,197,850 A	4/1980	Schulman et al.	4,714,469 A		12/1987 Kenna
4,206,516 A	6/1980	Pilliar	4,721,103 A		1/1988 Freedland
4,222,128 A	9/1980	Tomonaga et al.	4,736,738 A		4/1988 Lipovsek et al.
D257,511 S	11/1980	Zahn	4,743,256 A		5/1988 Brantigan
4,232,679 A	11/1980	Schulman	4,743,260 A		5/1988 Burton
4,237,948 A	12/1980	Jones et al.	4,759,766 A		7/1988 Buettner-Janzen et al.
4,258,716 A	3/1981	Sutherland	4,759,769 A		7/1988 Hedman et al.
4,259,072 A	3/1981	Hirabayashi et al.	4,769,881 A		9/1988 Pedigo et al.
4,262,369 A	4/1981	Roux	4,781,591 A		11/1988 Allen
4,271,832 A	6/1981	Evans et al.	4,790,303 A		12/1988 Steffee
D260,525 S	9/1981	Lassiter	4,805,602 A		2/1989 Puno et al.
4,289,123 A	9/1981	Dunn	4,820,305 A		4/1989 Harms et al.
4,293,962 A	10/1981	Fuson	4,830,000 A		5/1989 Shutt
4,309,777 A	1/1982	Patil	4,834,757 A		5/1989 Brantigan
4,328,593 A	5/1982	Sutter et al.	4,848,327 A		7/1989 Perdue
4,333,469 A	6/1982	Jeffcoat et al.	4,851,008 A		7/1989 Johnson
4,341,206 A	7/1982	Perrett et al.	4,863,476 A		9/1989 Shepperd
4,349,921 A	9/1982	Kuntz	4,863,477 A		9/1989 Monson
4,356,572 A	11/1982	Guillemin et al.	4,865,603 A		9/1989 Noiles

4,877,020	A	10/1989	Vich	EP	0 599 419 A2	6/1994
4,878,915	A	* 11/1989	Brantigan	ES	283078	5/1985
4,903,882	A	2/1990	Long	FR	2 295 729	7/1976
4,904,260	A	2/1990	Ray et al.	FR	0 179 695	4/1986
4,904,261	A	* 2/1990	Dove	FR	2 581 336	11/1986
4,911,718	A	3/1990	Lee et al.	FR	2 703 580	10/1994
4,913,144	A	4/1990	Del Medico	GB	2076657 A	12/1981
4,936,848	A	6/1990	Bagby	GB	2082754 A	3/1982
4,943,291	A	7/1990	Tanguy	GB	2126094 A	3/1984
4,955,885	A	9/1990	Meyers	GB	2164277 A	3/1986
4,955,908	A	9/1990	Frey et al.	JP	57-29348	2/1982
4,957,495	A	9/1990	Kluger	JP	60-31706	2/1985
4,960,420	A	10/1990	Goble et al.	JP	60-43984	3/1985
4,961,740	A	10/1990	Ray et al.	JP	61-122859	6/1986
4,968,316	A	11/1990	Hergenroeder	JP	62-155846	7/1987
4,969,888	A	11/1990	Scholten et al.	SE	106 101	7/1939
4,987,904	A	1/1991	Wilson	SU	1107854	8/1984
5,015,247	A	5/1991	Michelson	SU	1124960	11/1984
5,015,255	A	* 5/1991	Kuslich	SU	1217374	3/1986
5,026,373	A	6/1991	Ray et al.	SU	1222254	4/1986
5,030,236	A	7/1991	Dean	WO	84/01298	4/1984
5,055,104	A	10/1991	Ray	WO	91/06266	5/1991
5,059,193	A	10/1991	Kuslich	WO	92/14423	9/1992
5,062,845	A	11/1991	Kuslich et al.	WO	93/01771	2/1993
5,071,437	A	12/1991	Steffee			
5,084,050	A	1/1992	Draenert			
5,102,414	A	4/1992	Kirsch			
5,105,819	A	4/1992	Wollschlager			
5,108,422	A	4/1992	Green et al.			
5,112,336	A	5/1992	Krevolin et al.			
5,116,304	A	5/1992	Cadwell			
5,122,130	A	6/1992	Keller			
5,123,926	A	6/1992	Pisharodi			
5,171,278	A	12/1992	Pisharodi			
5,192,327	A	3/1993	Brantigan			
5,246,458	A	9/1993	Graham			
5,258,031	A	11/1993	Salib et al.			
5,263,953	A	11/1993	Bagby			
5,292,252	A	3/1994	Nickerson et al.			
5,306,309	A	4/1994	Wagner et al.			
5,314,427	A	5/1994	Goble et al.			
5,324,295	A	6/1994	Shapiro			
5,352,229	A	10/1994	Goble et al.			
5,360,430	A	11/1994	Lin			
5,364,399	A	11/1994	Lowery et al.			
5,370,662	A	12/1994	Stone et al.			
5,370,697	A	12/1994	Baumgartner			
5,393,036	A	2/1995	Sheridan			
RE34,871	E	3/1995	McGuire et al.			
5,396,880	A	3/1995	Kagan et al.			
5,397,364	A	3/1995	Kozak et al.			
5,425,772	A	6/1995	Brantigan			
5,435,723	A	7/1995	O'Brien			
5,489,307	A	2/1996	Kuslich et al.			
5,489,308	A	2/1996	Kuslich et al.			
5,505,732	A	4/1996	Michelson			
5,571,109	A	11/1996	Bertagnoli			

OTHER PUBLICATIONS

Albrektsson, T., et al.; Osseointegrated Titanium Implants; *Acta. Orthop. Scand.*; vol. 52:155-170 (1981).

Raveh, J., et al.; Neue Rekonstruktionsmöglichkeiten des Unterkiefers bei knöchernen Defekten nach Tumoresektionen; *Der Chirurg* vol. 53:459-467 (1982).

DeBowes, R.M., et al.; Study of Bovine . . . Steel Baskets; *Transactions of the 29th Annual Meeting; Orthopaedic Research Society*, vol. 8, p. 407, Mar. 8-10 (1983).

Brandt, L., et al.; A Dowel Insert for Anterior Cervical Interbody Fusion; *J. Neurosurg.* 61:793-794 (Oct. 1984).

Raveh, J., et al.; Use of the Titanium-coated Hollow Screw and Reconstruction Plate System in Bridging of Lower Jaw Defects; *J. Oral Maxillofac Surg.* 42:281-294 (1984).

Otero-Vich, Jose M.; Anterior Cervical Interbody Fusion with Threaded Cylindrical Bone; *J. Neurosurg* 63:750-753 (Nov. 1985).

Morscher, E., et al.; Die vordere Verplattung der Halswirbelsäule mit dem Hohlschrauben-Plattensystem aus Titanium, *Der Chirurg*, vol. 57, pp. 702-707 (1986) with English Translation.

Bagby, G.W.; Basket Implant Facilitates Spinal Fusion; *Orthopedics Today*, vol. 7, No. 10, (Oct. 1987).

Butts, M. K., et al.; Biomechanical Analysis of a New Method for Spinal Interbody Fixation; 1987 Symposium, American Society of Mechanical Engineers, "Advances in Bioengineering", Boston, MA (Dec. 13-18, 1987).

Crawley et al; A Modified Cloward's Technique for Arthrodesis of the Normal Metacarpophalangeal Joint in the Horse; *Veterinary Surgery*, vol. 17, No. 3, pp. 117-127 (1988).

Raveh, J., et al.; Surgical Procedures for Reconstruction of the Lower Jaw Using the Titanium-Coated Hollow-Screw Reconstruction Plate System: Bridging of Defects; *Otolaryngologic Clinics of North America*; vol. 20, No. 3 (Aug. 1987).

Goldthwaite, N., et al.; Toward Percutaneous Spine Fusion; Ch. 45; *Lumbar Spine Surgery*; C.V. Mosby Company, pp. 512-522 (1987).

FOREIGN PATENT DOCUMENTS

DE	3132520 A1	6/1982
DE	3505567 A1	6/1986
DE	36 08 163 A1	9/1987
DE	41 04 359 A1	8/1992
EP	0 077 159	4/1983
EP	0 162 005	11/1985
EP	0 260 044	3/1988
EP	0303241 A2	2/1989
EP	0 307 241	3/1989
EP	0499465 A1	8/1992
EP	0551187 A1	7/1993
EP	0577179 A1	1/1994

- Bagby, G.W.; Arthrodesis by the Distraction-Compression Method Using a Stainless Steel Implant; *Orthopedics*, vol. II, No. 6, pp. 931-934 (Jun. 1987).
- Itoman, M., et al.; Banked Bone Grafting for Bone Defect Repair—Clinical Evaluation of Bone Union and Graft Incorporation; *J. Jpn. Orthop. Assoc.* 62:461-469 (1988).
- Adams, et al.; *Outline of Orthopaedics, Eleventh Edition; Trunk and Spine*, p. 194.
- Herkowitz, et al.; *Principles of Bone Fusion; The Spine, Third Edition; Chapter 44*, p. 1739.
- Muschler, et al.; *The Biology of Spinal Fusion; Spinal Fusion Science and Technique, Cotler and Cotler*, pp. 9-13.
- Zindrick, et al.; *Lumbar Spine Fusion: Different Types and Indications; The Lumbar Spine, vol. 1, Second Edition*, pp. 588-593 (1996).
- Gillingham, F.J., et al.; *Automatic Patient Monitoring in the Ward; Brit. J. Surg.*, vol. 53, No. 10, pp. 864-866 (Oct. 1996).
- Maloney, A.F.J., et al.; *Clinical and Pathological Observations in Fatal Head Injuries, Brit. J. Surg.*, vol. 56, No. 1, pp. 23-31 (Jan. 1969).
- Harris, P., et al.; *Spinal Deformity After Spinal Cord Injury; Paraplegia*, vol. 6, No. 4, pp. 232-238 (Feb. 1969).
- Gillingham, F.J., et al.; *Head Injuries; Proceedings of the 18th World Congress of the International College of Surgeons, Rome*, pp. 68-71 (May. 28-31, 1972).
- Whatmore, W. J.; *Sincipital Encephalomeningoceles; Brit. J. Surg.*, vol. 60, No. 4, pp. 261-270 (Apr. 1973).
- Whatmore, W. J.; *Meningioma Following Trauma; Brit. J. Surg.*, vol. 60, No. 6, pp. 496-498 (Jun. 1973).
- Rathke, F.W., et al.; *Surgery of the Spine; Atlas of Orthopaedic Operations, vol. 1*, p. 137, W.B. Saunders Co., Philadelphia (1979).
- Crock, H.V.; *Practice of Spinal Surgery; Springer-Verlag/Wien, New York* (1983).
- O'Neill, P., et al.; *Spinal Meningocele in Association with Neurofibromatosis; Neurosurgery*, vol. 13, No. 1, pp. 82-84 (Jul. 1983).
- Whatmore, W.J., et al.; *The Coventry Cervical Spreader and Dowel Inserter; ACTA Neurochirurgica, vol. 70, FASC. 1-2* (1984).
- Crawley et al.; *A Modified Cloward's Technique for Arthrodesis of the Normal Metacarpophalangeal Joint in the Horse; Veterinary Surgery*, vol. 17, No. 3, pp. 117-127 (1988).
- Whatmore, W. J.; *Proceedings of the Society of British Neurological Surgeons; Journal of Neurology, Neurosurgery, and Psychiatry*, 50:1093-1100 (1987).
- Kane, W.J.; *Direct Current Electrical Bone Growth Stimulation for Spinal Fusion; Spine*, vol. 13, No. 3, pp. 363-365 (Mar. 1988).
- The SpF-T Spinal Fusion Stimulator: an Efficacious Adjunct that Meets the Diverse Needs of Spine Patients; *EBI Medical Systems*; (Aug. 1991).
- Schmitz et al.; *Performance of Alloplastic Materials and Design of an Artificial Disc; The Artificial Disc, Brock, Mayer, Weigel*; pp. 23-34 (1991).
- The Use of Direct Current for Electrically Induced Osteogenesis; *The Positive Effect of an Electronegative charge on Bone Growth; EBI Medical Systems*, (Feb. 1993).
- Mylonas, C., et al.; *Anterior Cervical Decompression and Fusion Using the Coventry Cervical Spreader and Dowel Inserter; British Journal of Neurosurgery*, 7:545-549 (1993).
- Fusion of the Lumbar Spine; Anterior Monosegmental Fusion L5-S1, Atlas of Spinal Operations, Thieme*, pp. 270-274 (1993).
- Spine Basics, Danek Group, Inc., Glossary* (1993).
- Lumbar Spine Surgery, Techniques & Complications; History of Lumbar Spine Surgery* (1994) pp. 11-15; 27; 30; 35-45; 265-268.
- Cloward, Ralph B.; *Surgical Techniques for Lumbar Disc Lesions; Codman; Signature Serial 3*.
- Cloward, Ralph B.; *Ruptured Cervical Intervertebral Discs: Removal of Disc & Osteophytes & Anterior Cervical Interbody Fusion (A.C.I.F.); Codman; Signature Series 4*.
- Cloward, Ralph B.; *Recent Advances in Surgery of the Cervical Spine*; pp. 285-293; *German Society For Neurosurgery: vol. 2 Cervical Spine Operations; Excerpta Medica*.
- Hutter, Charles George; *Spinal Stenosis and Posterior Lumbar Interbody Fusion*; pp. 103-114; *Clinical Orthopaedics and Related Research; No. 193; The Association of Bone and Joint Surgeons*.
- Lin, Paul M.; *Posterior Lumbar Interbody Fusion*; pp. 114-122, Charles C. Thomas; Springfield, Illinois.
- Lin, Paul M.; *Lumbar Interbody Fusion: Principles and Techniques in Spine Surgery; Techniques and Complications*; pp. 81, 98, 120, 146, 173, 180-184, 204, 224, 225, 231; *Aspen Publishers, Inc.*; 1989.
- Tan, S.B.; *A Modified Technique of Anterior Lumbar Fusion with Femoral Cortical Allograft*; pp. 83-93; *The Journal of Orthopaedic Surgical Techniques*, vol. 5, No. 3, 1990.
- Mueller, M.E.; *Manual of Internal Fixation: Techniques Recommended by the AO Group; Second Edition, Expanded and Revised*; pp. 3-20, 27-41, 53-58, 71-78, 94, 311, 320; *Springer-Verlag*; 1979.
- Hierholzer, G.; *Manual on the AO/ASIF Tubular External Fixator*; pp. 85-91; *Springer-Verlag*; 1985.
- Heim, Urs; *Small Fragment Set Manual: Technique Recommended by the ASIF-Group*; pp. 5-7, 10, 20, 21, 20; *Springer-Verlag*; 1974.
- Harmon, Paul H.; *Anterior Excision and Vertebral Body Fusion Operation for Intervertebral Disk Syndromes of the Lower Lumbar Spine: Three- to Five-Year Results in 244 Cases*; pp. 107-127; *Clinical Orthopaedics and Related Research, No. 26, J.B. Lippincott Company*, 1963.
- Harmon, Paul H.; *A Simplified Surgical Technic for Anterior Lumbar Discectomy and Fusion; Avoidance of Complications; Anatomy of the Retroperitoneal Veins*; pp. 130-143; *Clinical Orthopaedics and Related Research, No. 37, J.B. Lippincott Company*, 1964.
- Bullough, Peter G.; *Atlas of Spinal Diseases; Figure 5.7; J.B. Lippincott Company*; 1988.
- Canale, S. Terry; *Campbell's Operative Orthopaedics*; vol. 3, 9th Edition; pp. 2191, 2216, 2459; *Mosby*, 1998.

* cited by examiner

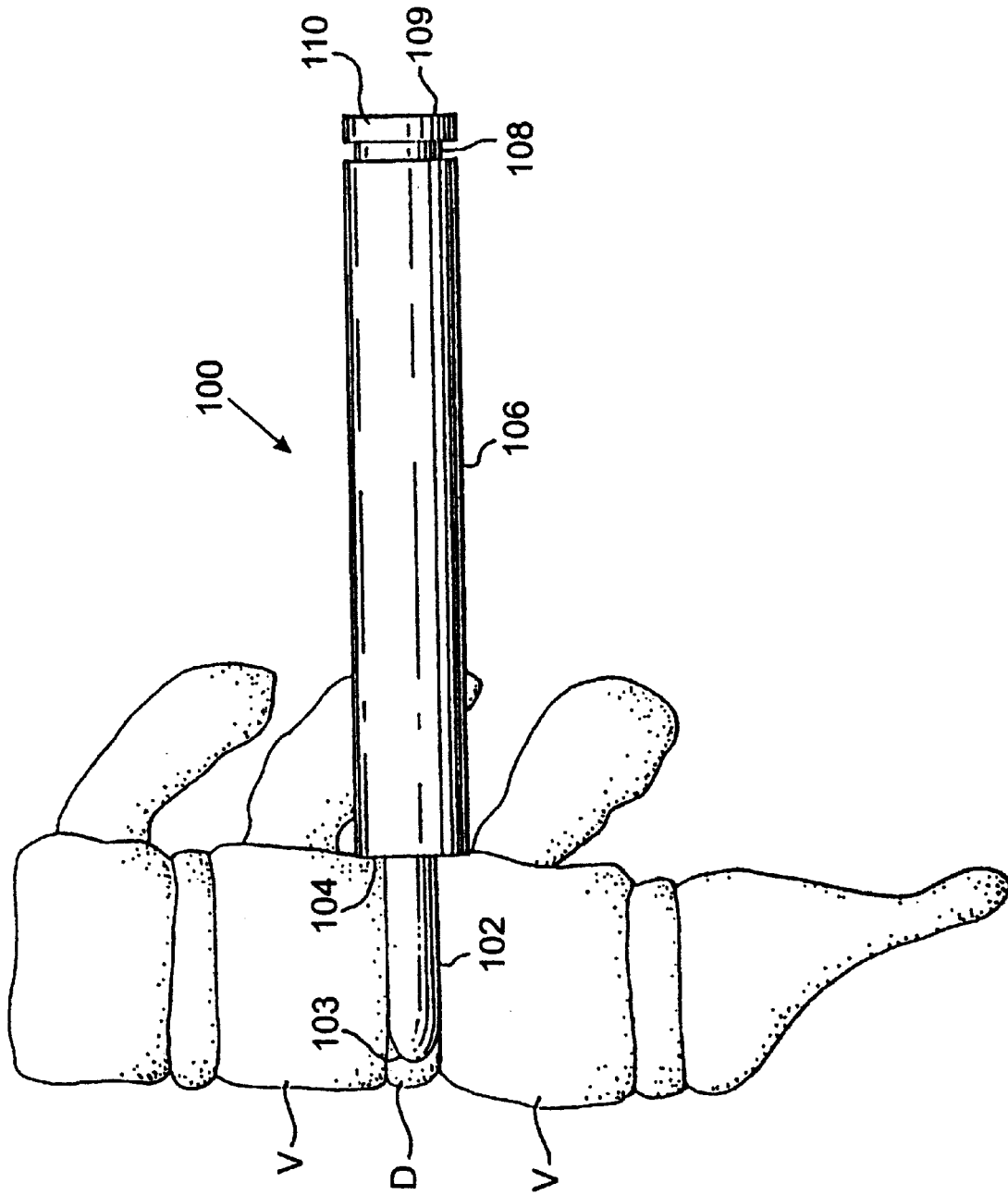


FIG. 1

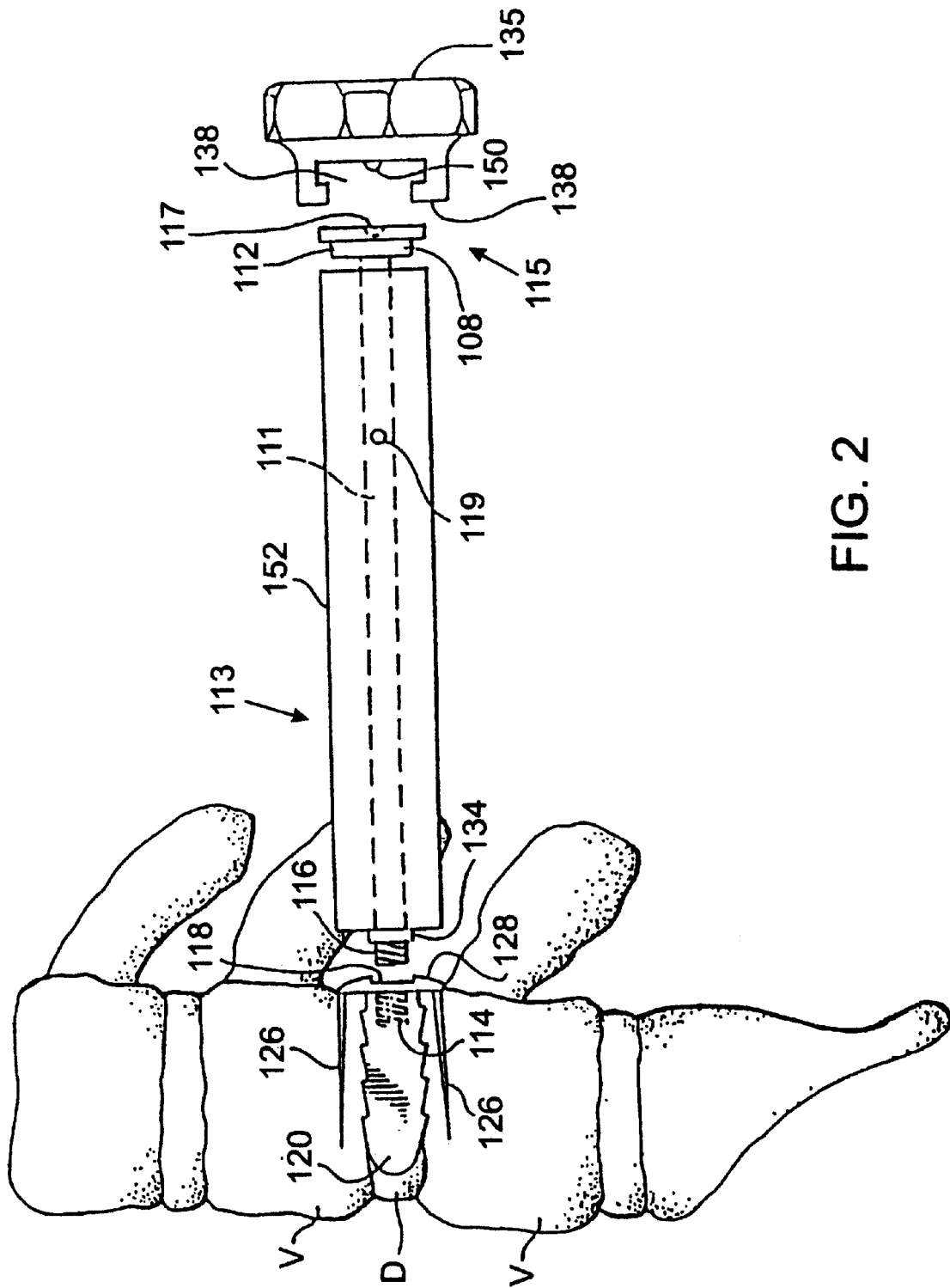


FIG. 2

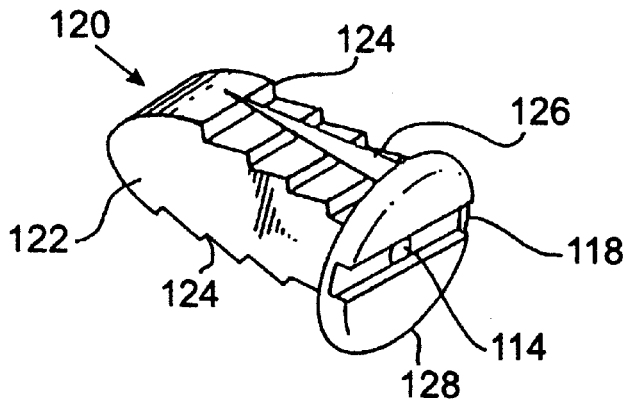


FIG. 3

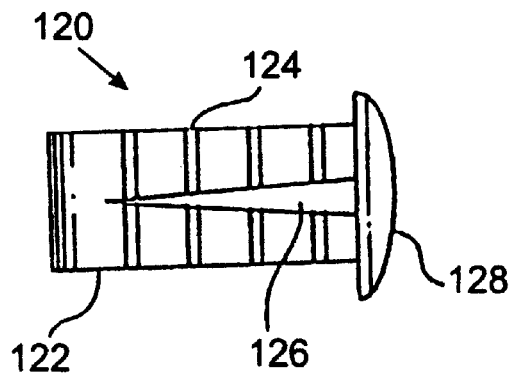


FIG. 3A

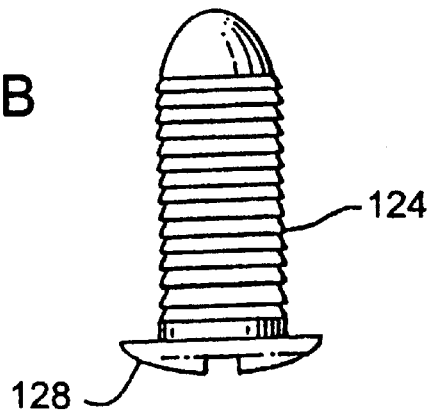


FIG. 3B

FIG. 3C

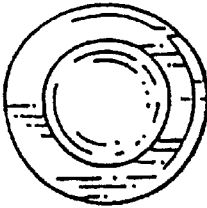


FIG. 3D

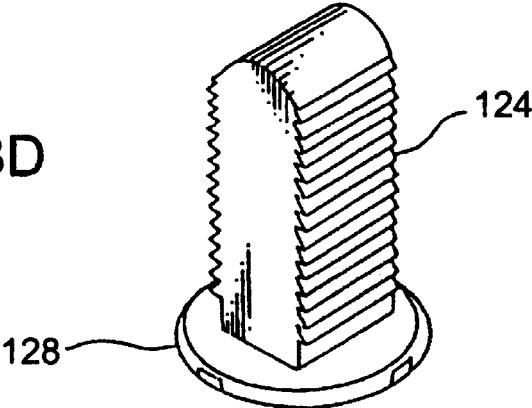


FIG. 3E

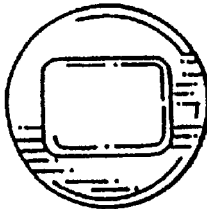


FIG. 3F

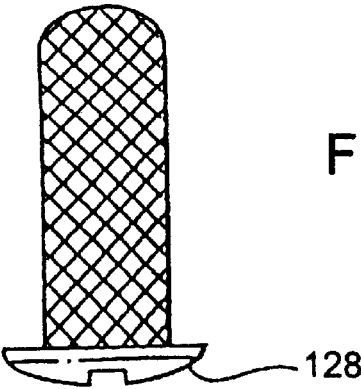
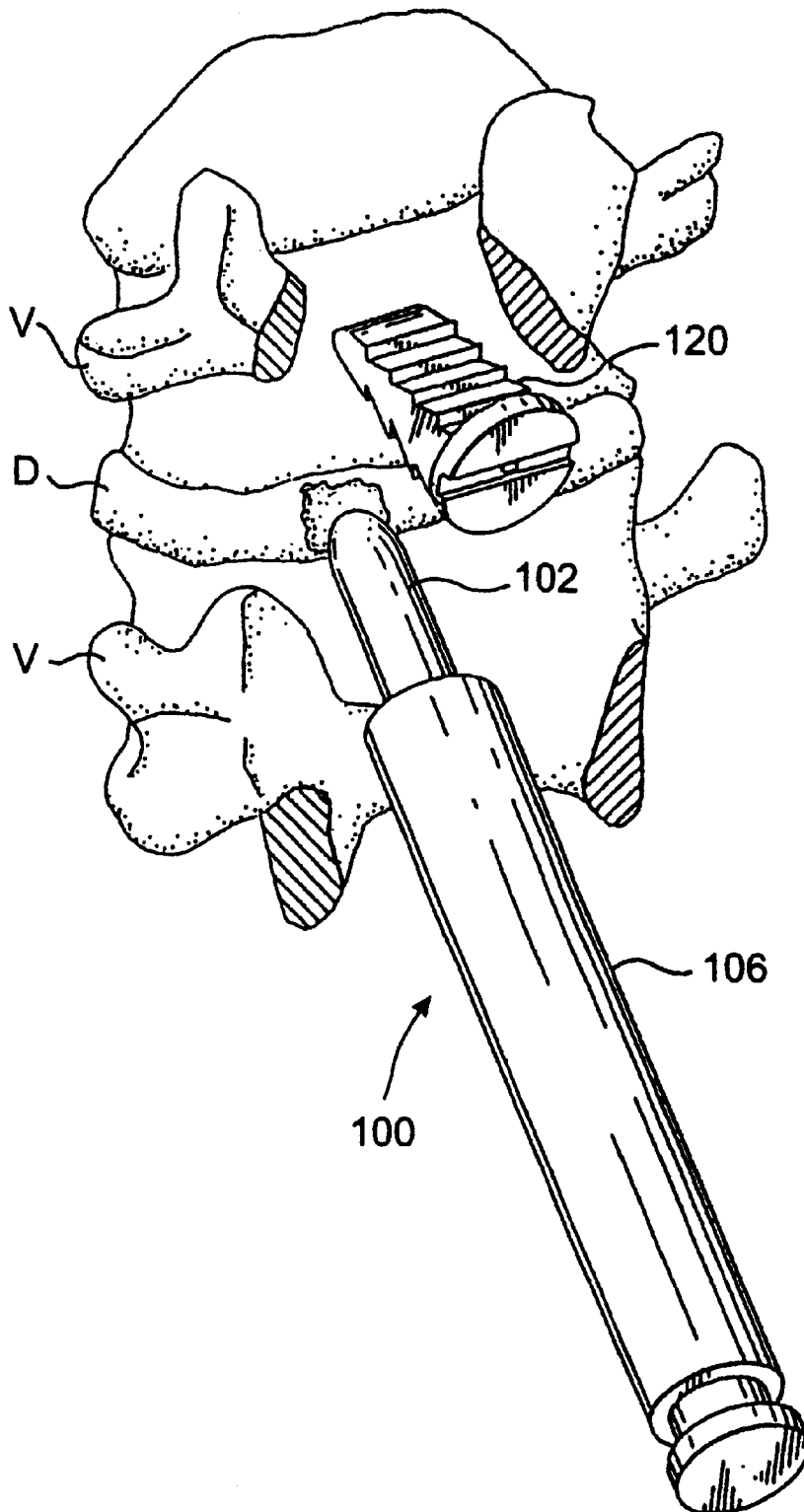


FIG. 4



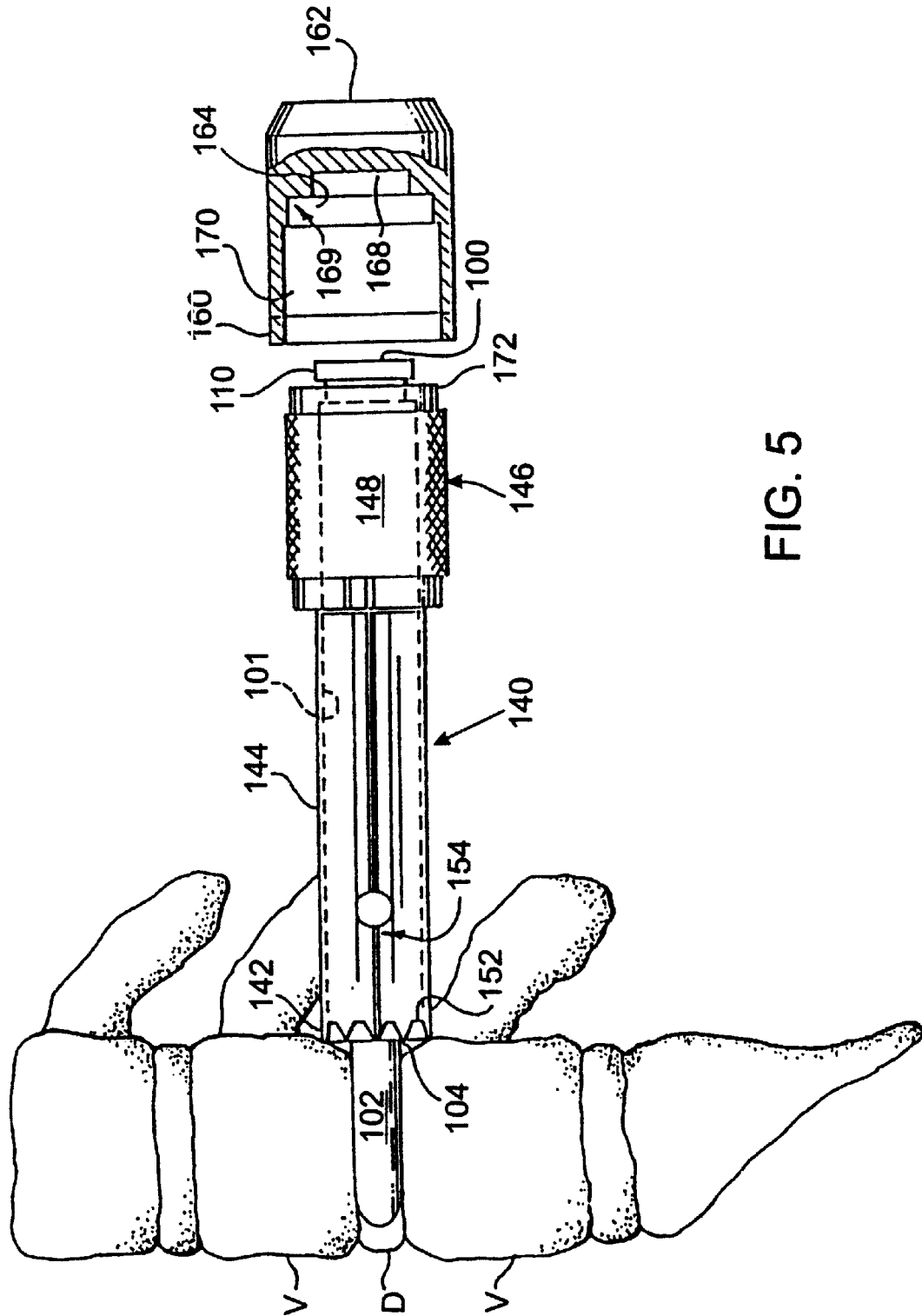


FIG. 5

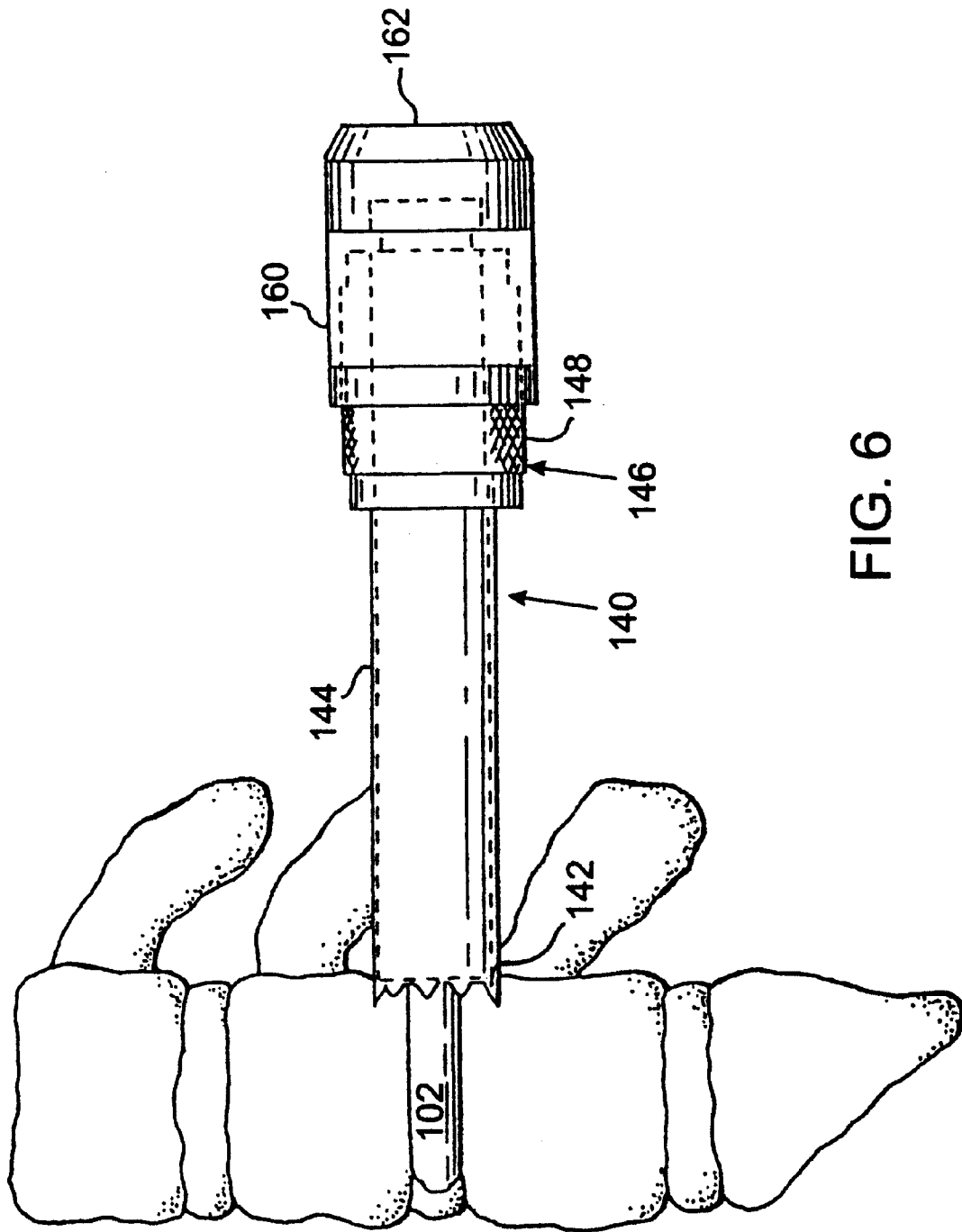


FIG. 6

FIG. 7A

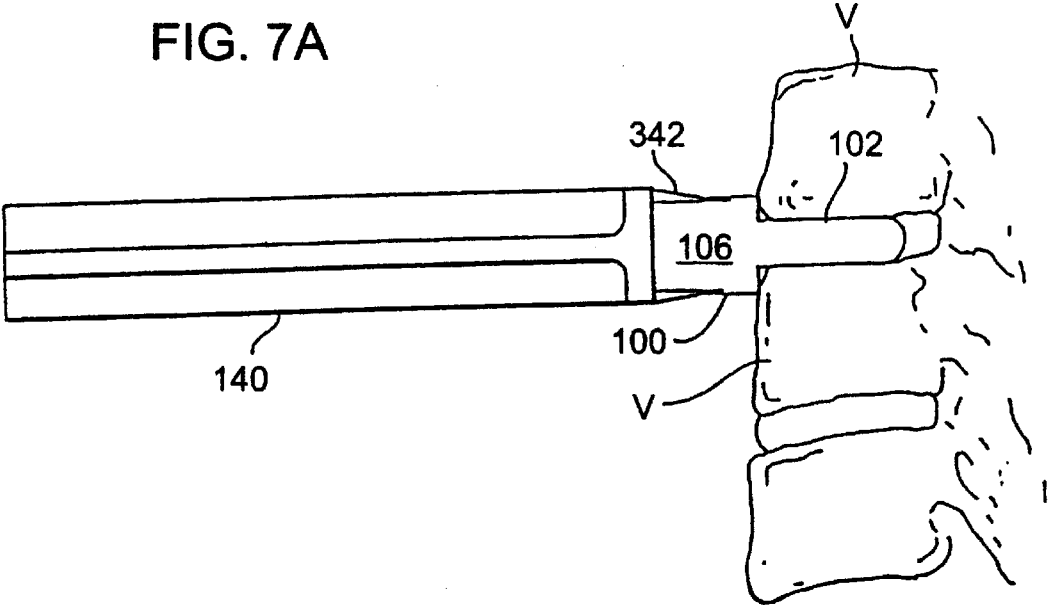


FIG. 8

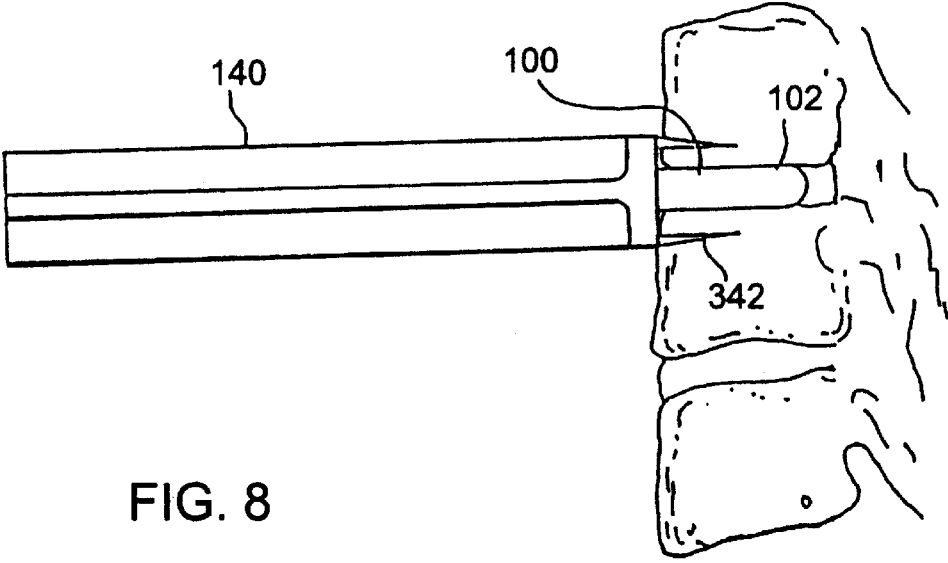


FIG. 7B

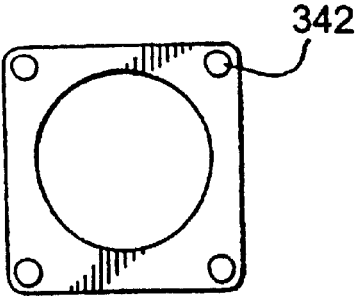


FIG. 7C

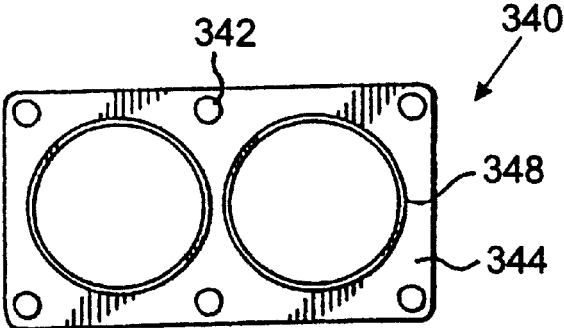


FIG. 7D

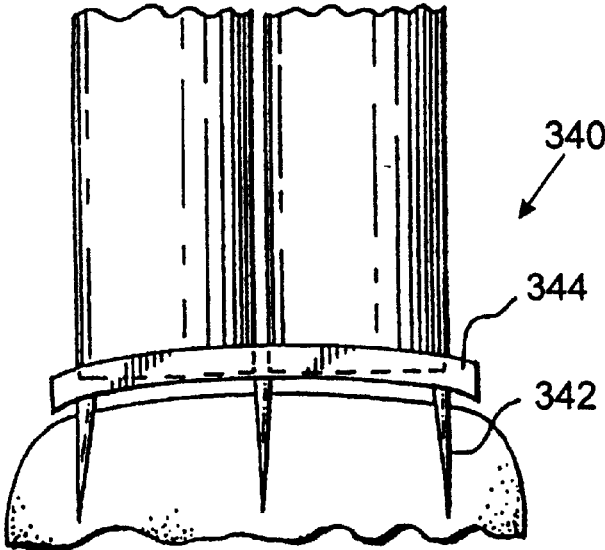


FIG. 7E

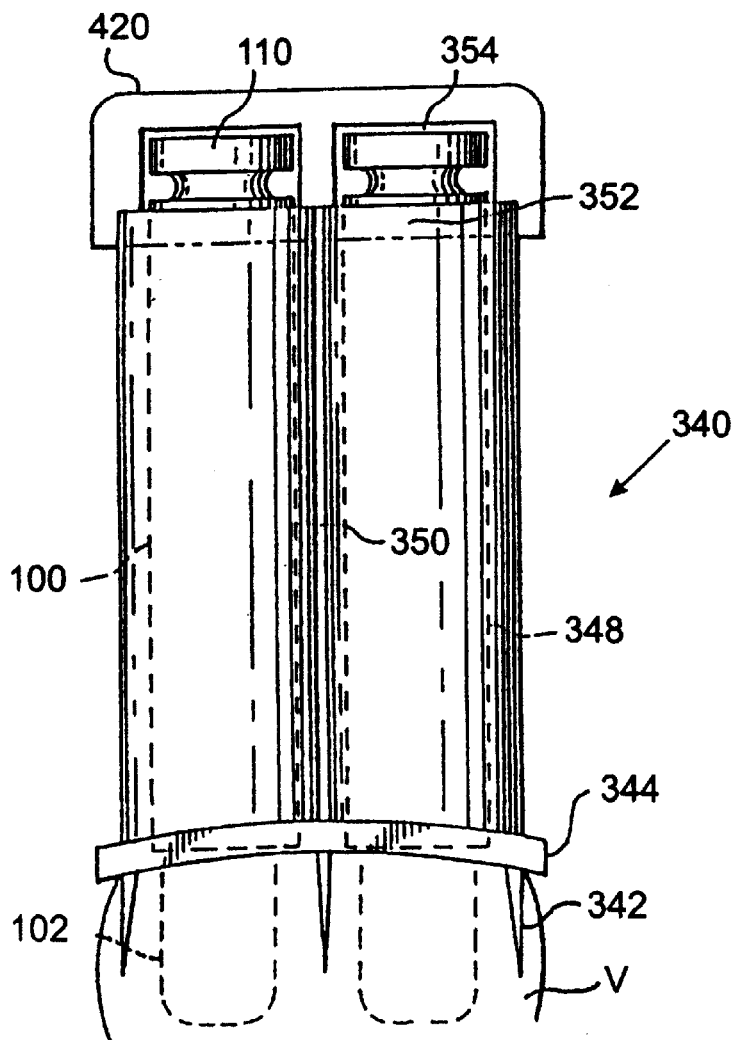
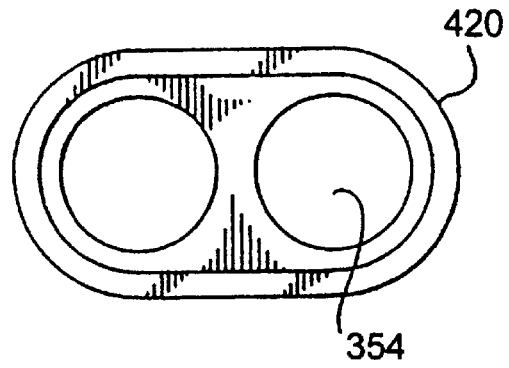
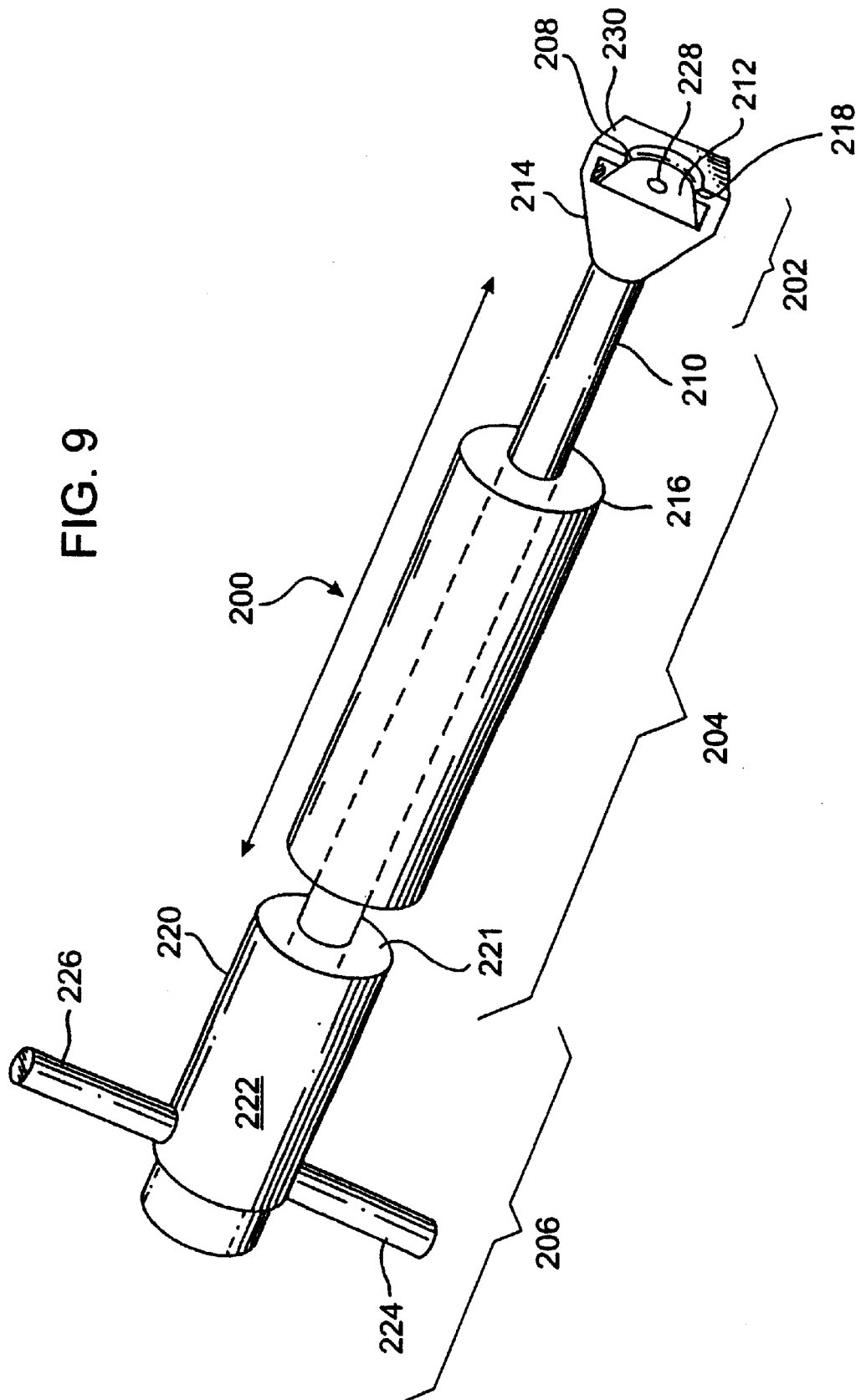


FIG. 7F



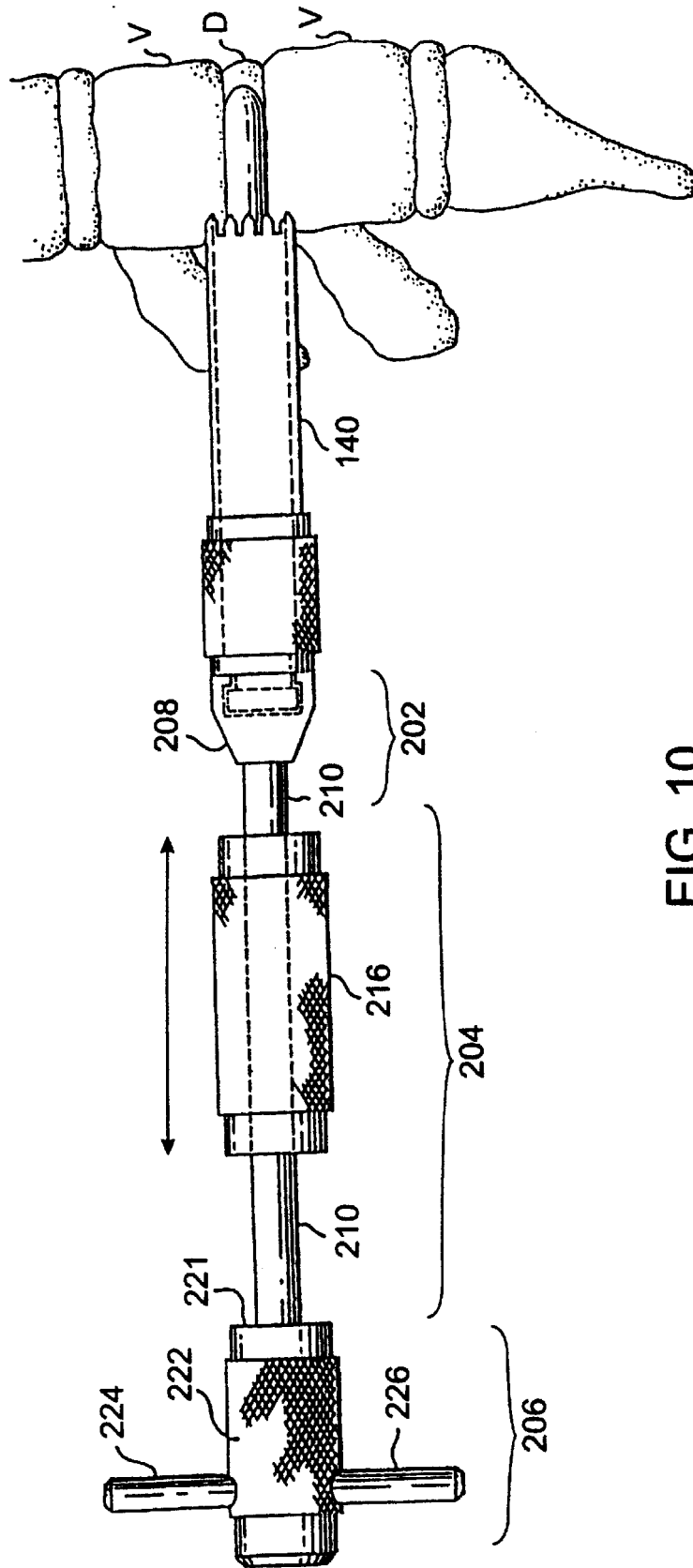


FIG. 10

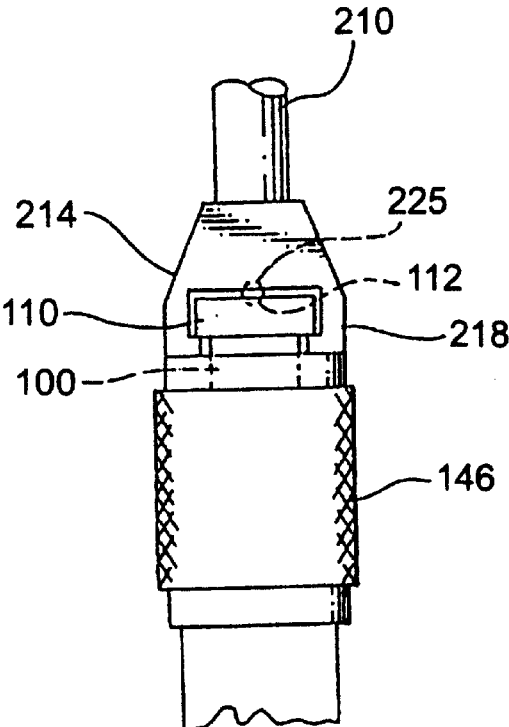


FIG. 10A

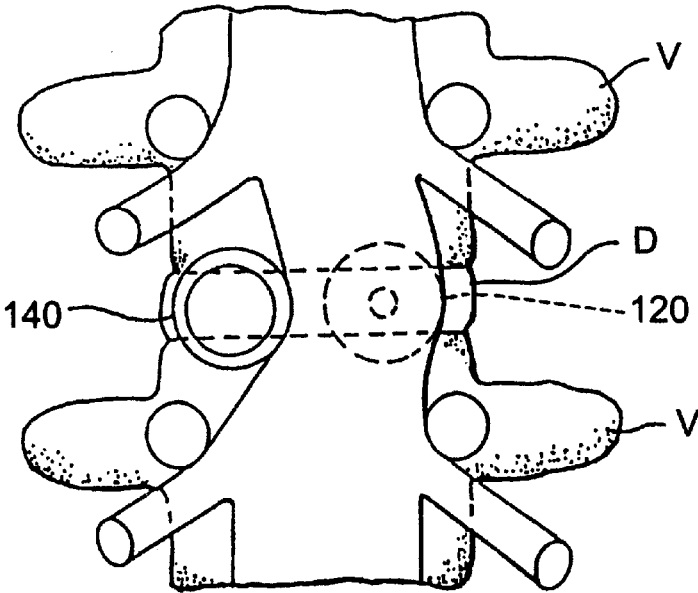


FIG. 10B

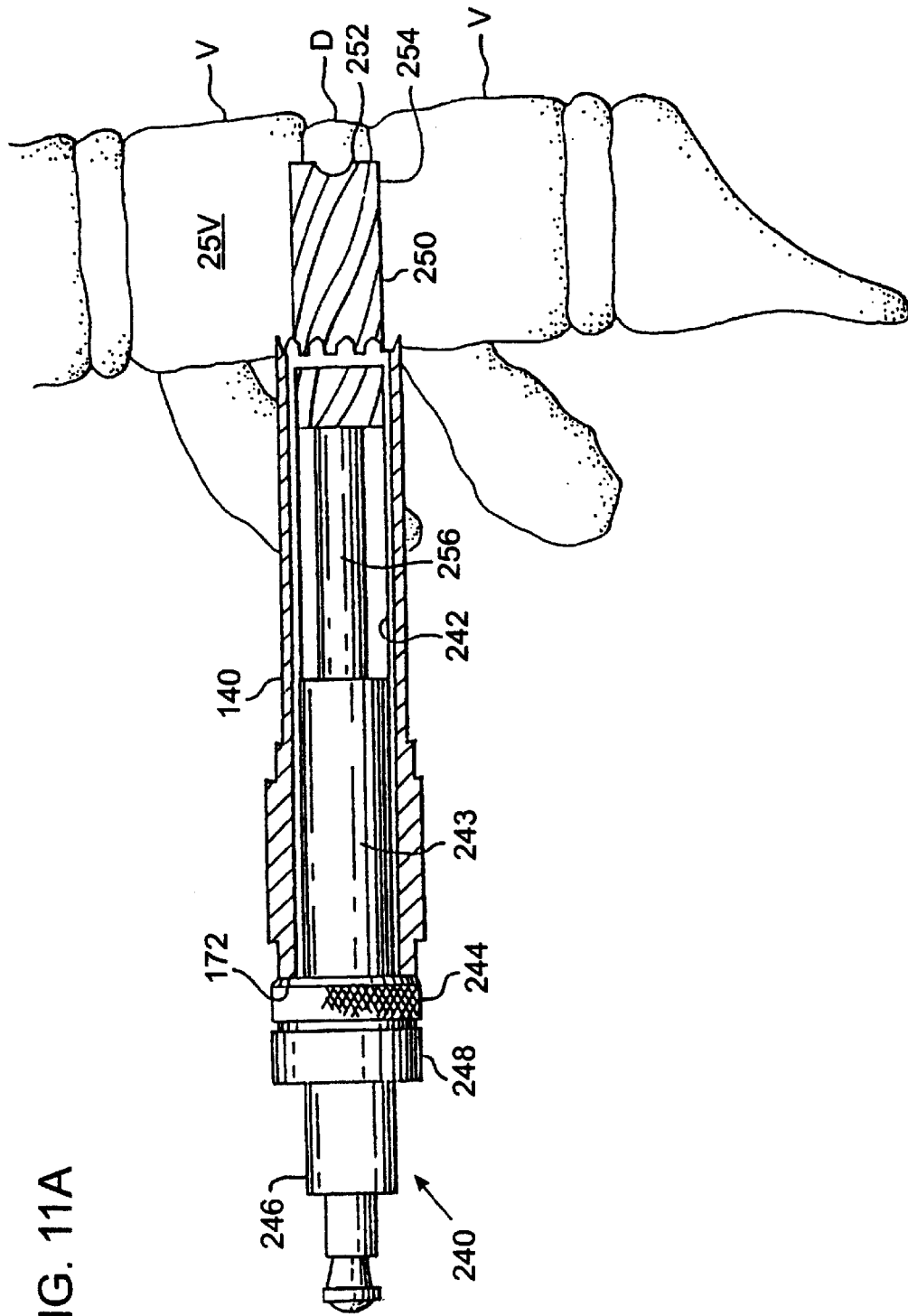


FIG. 11A

FIG. 11B

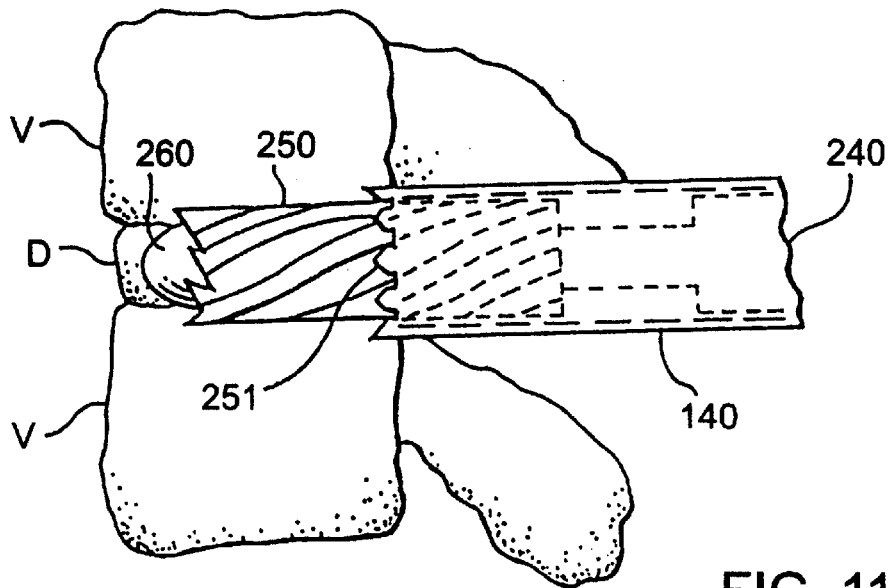
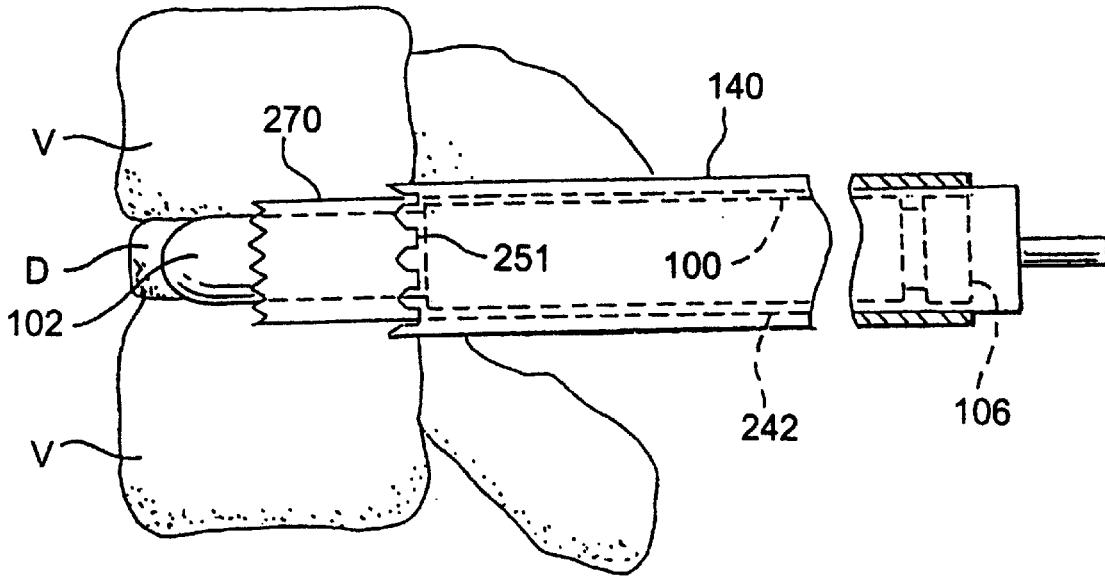


FIG. 11C

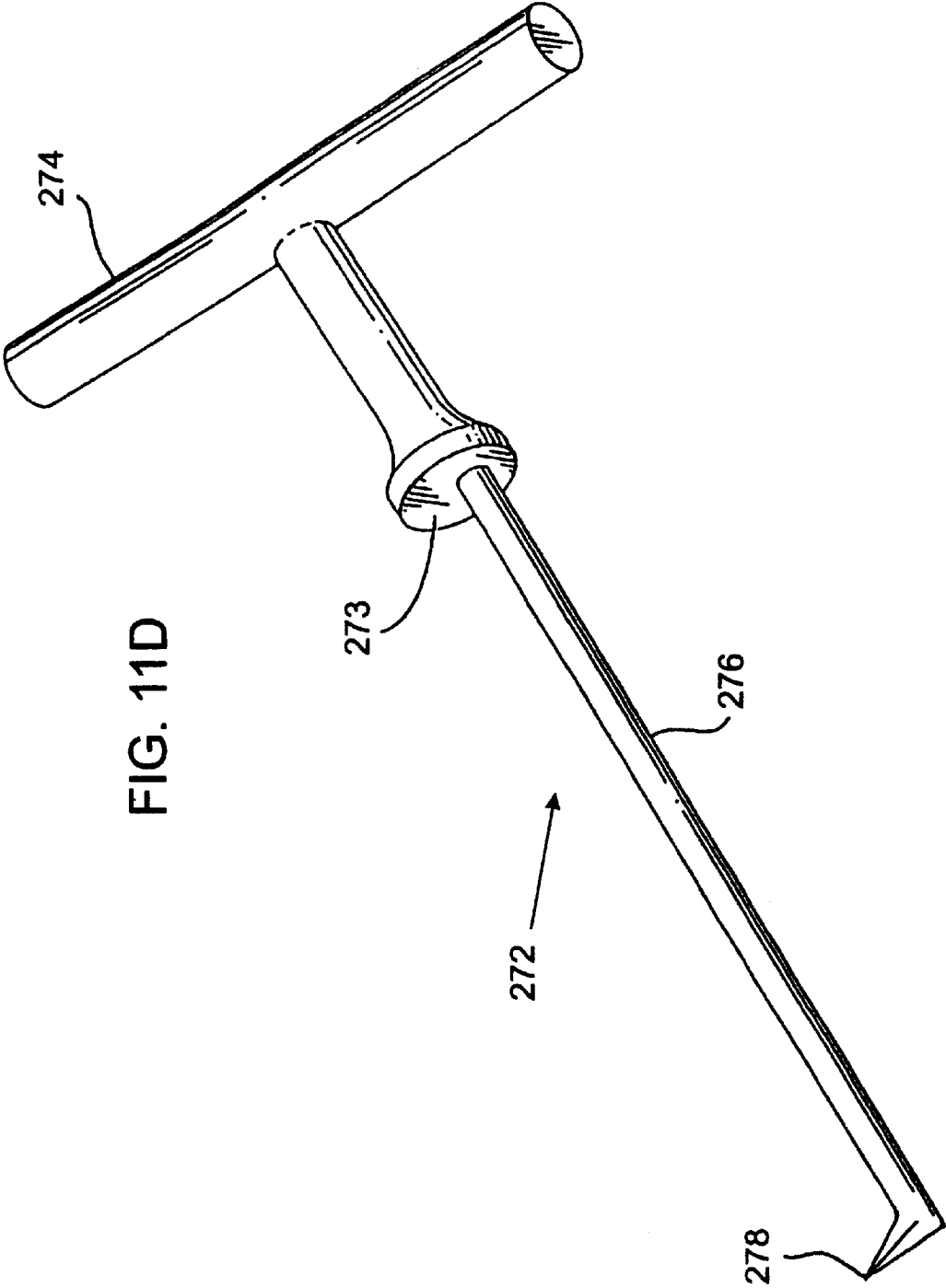


FIG. 11D

FIG. 12

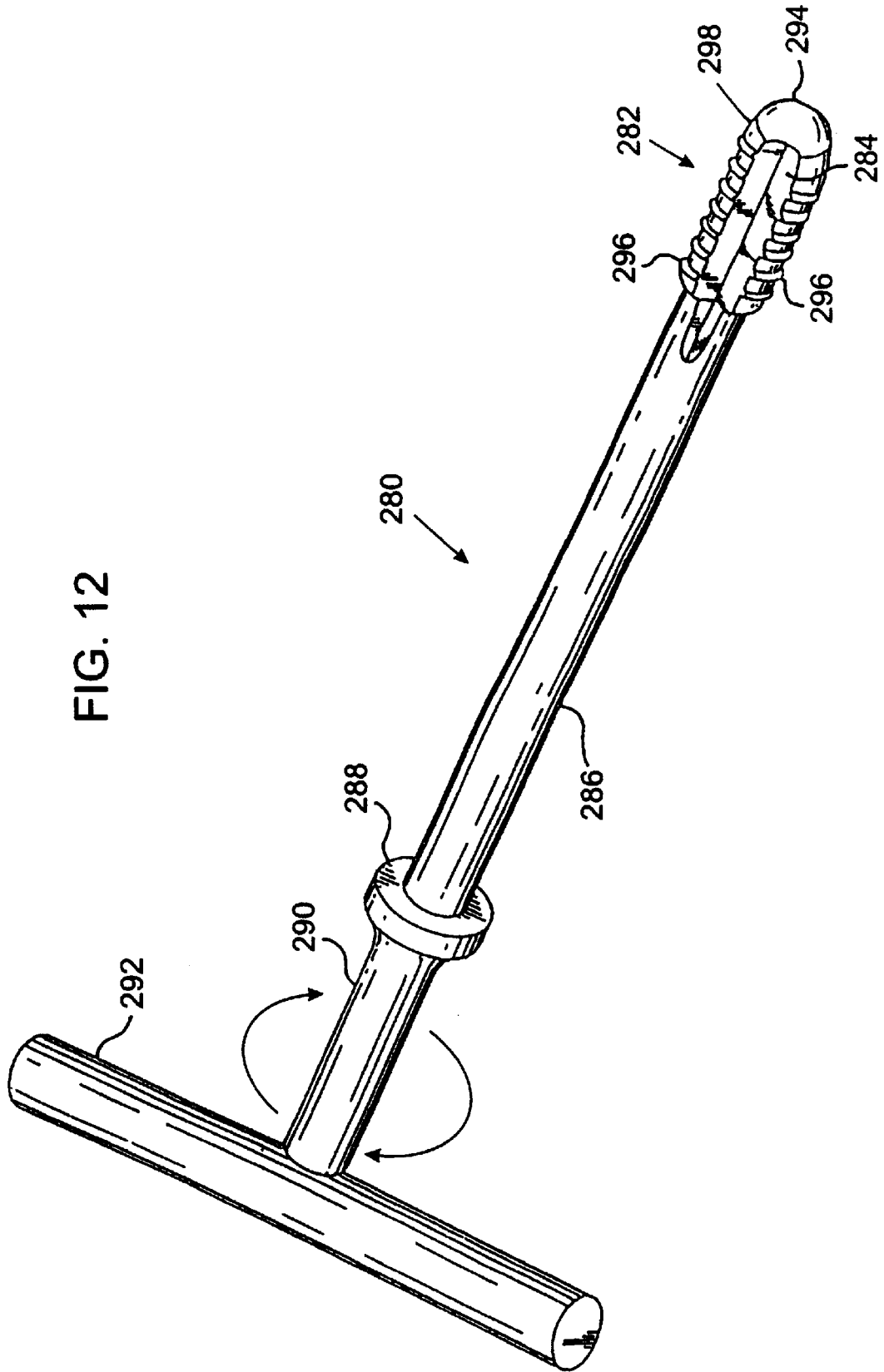


FIG. 13

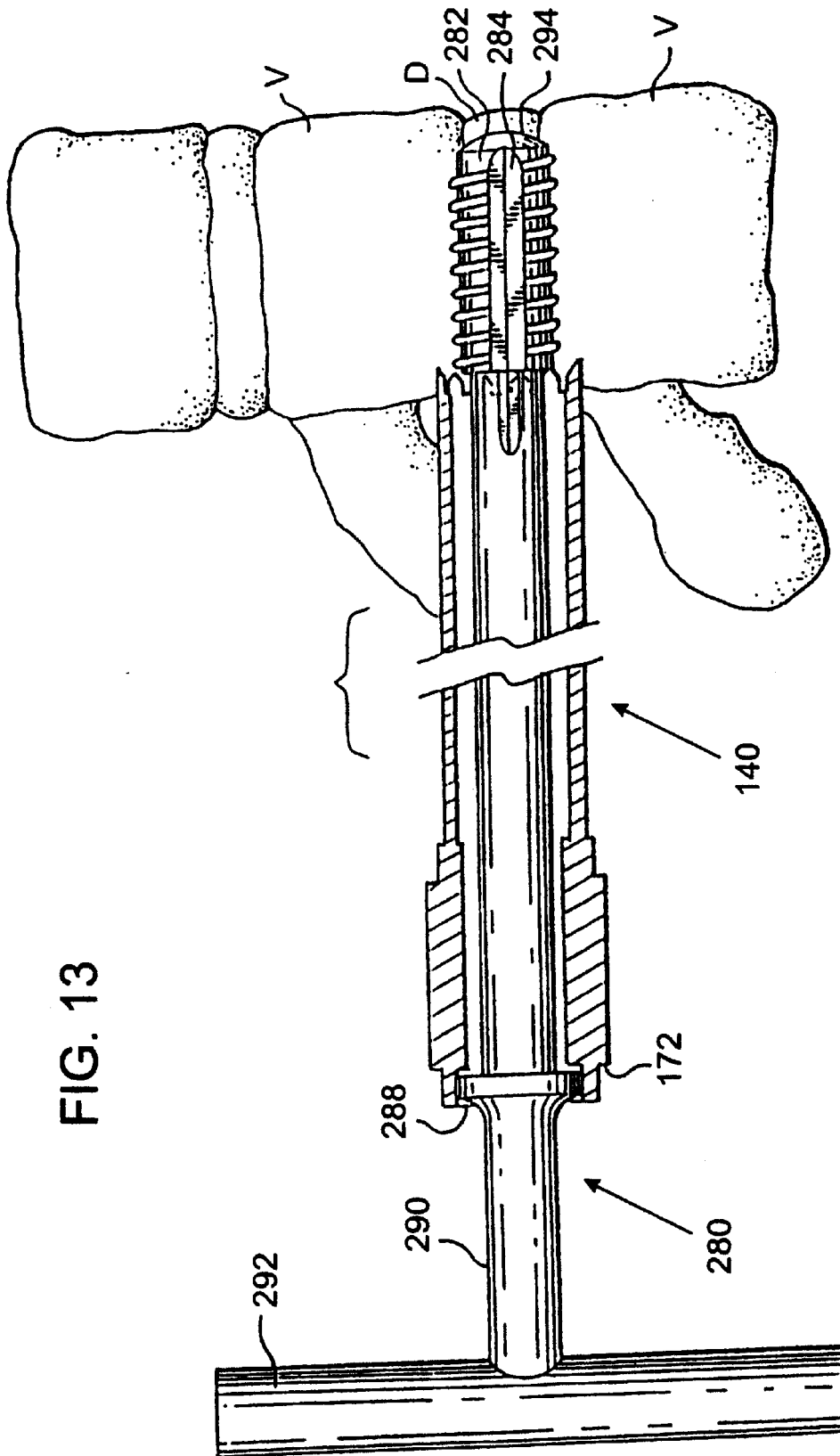
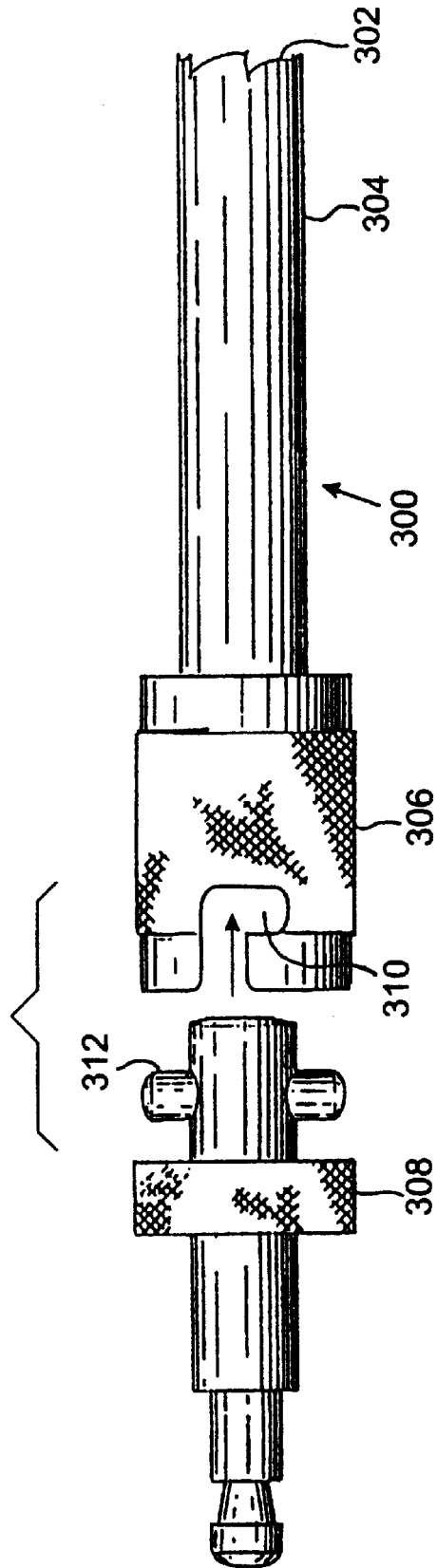


FIG. 14A



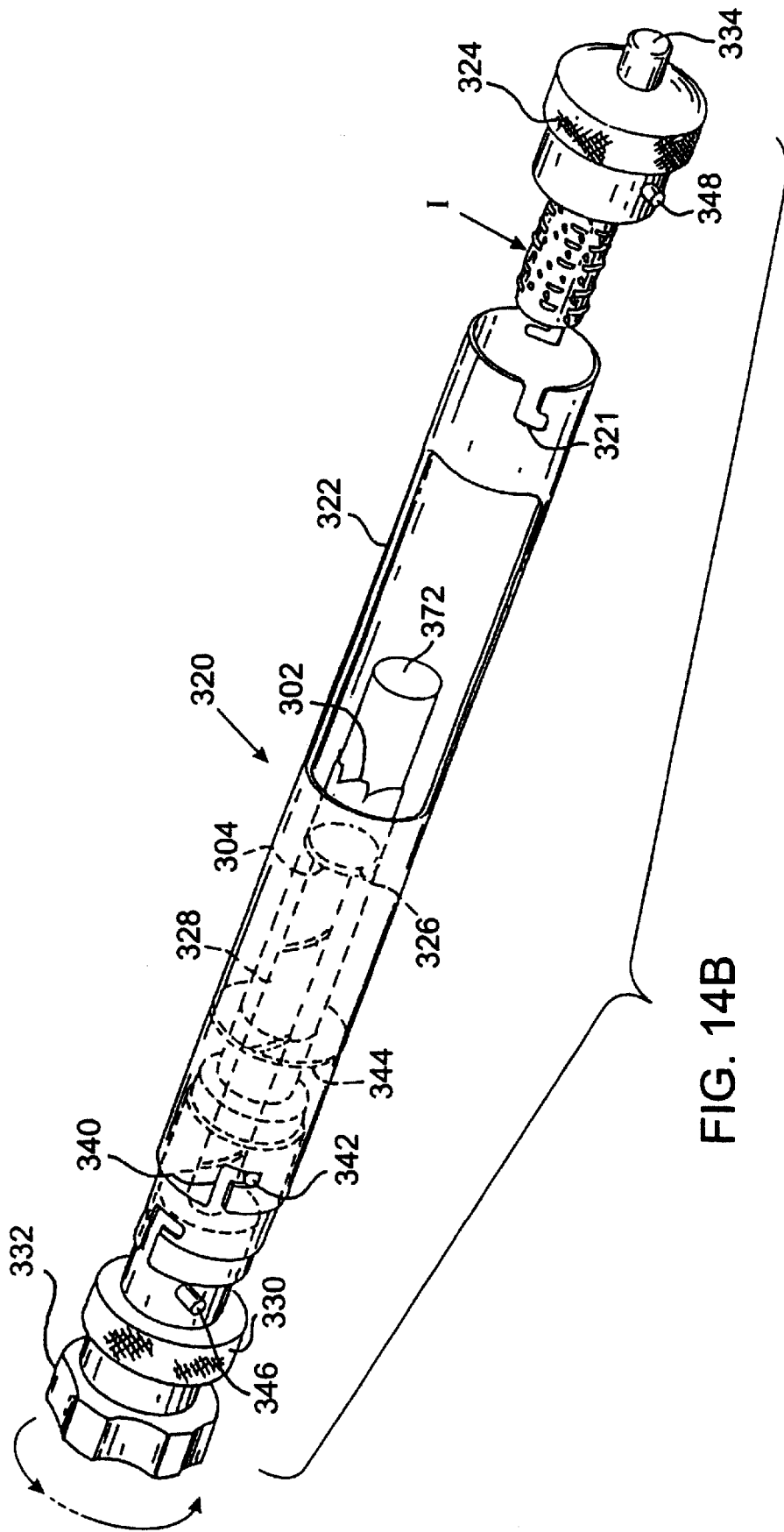
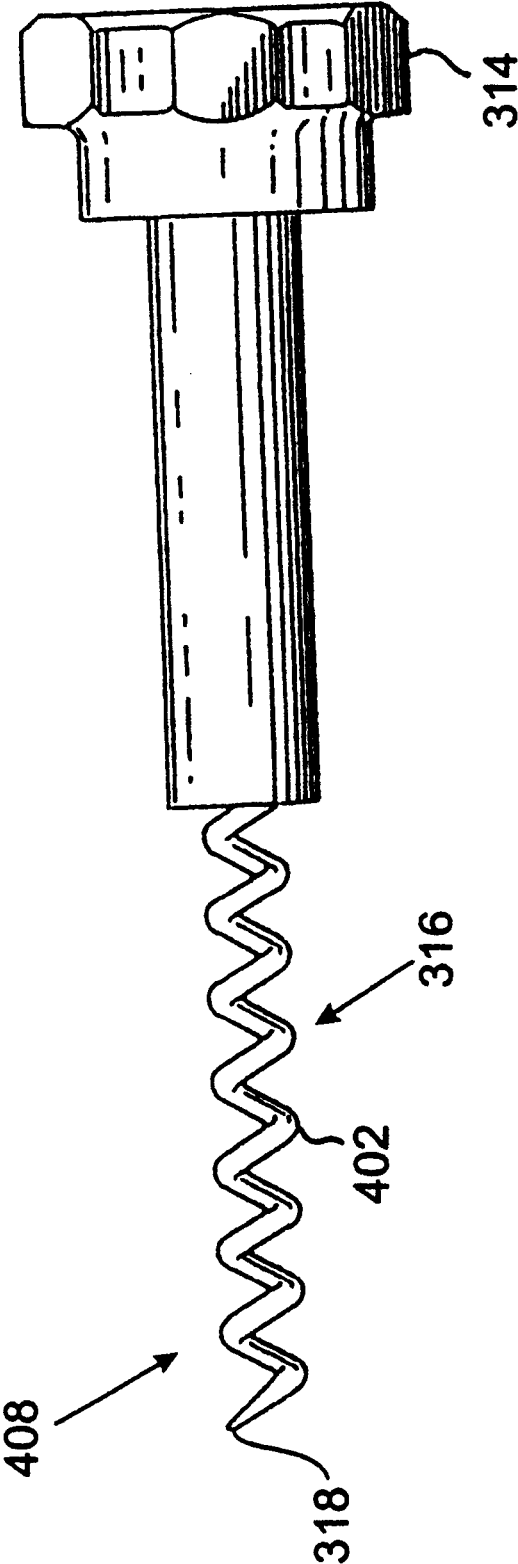


FIG. 14B

FIG. 14C



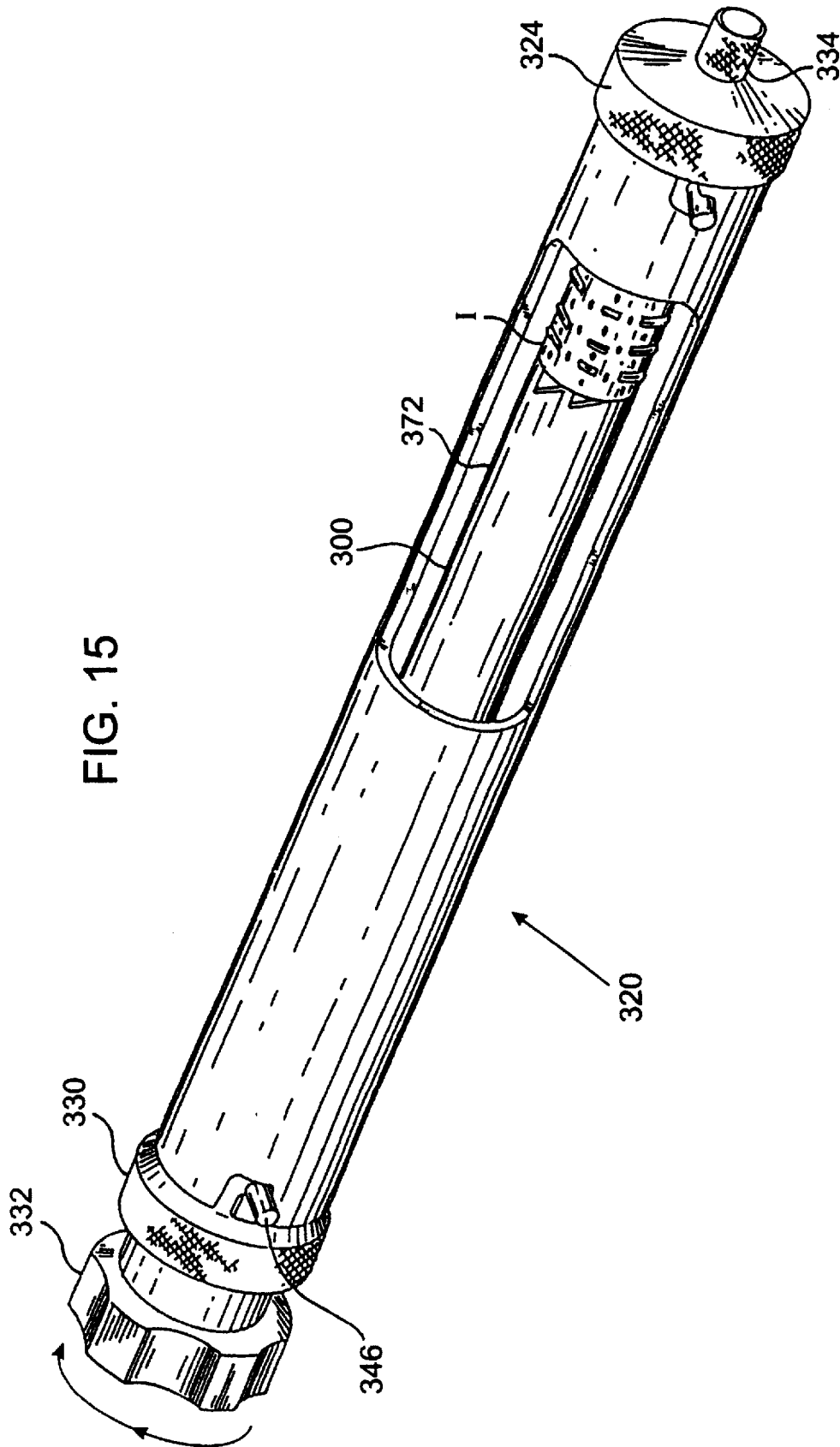


FIG. 15

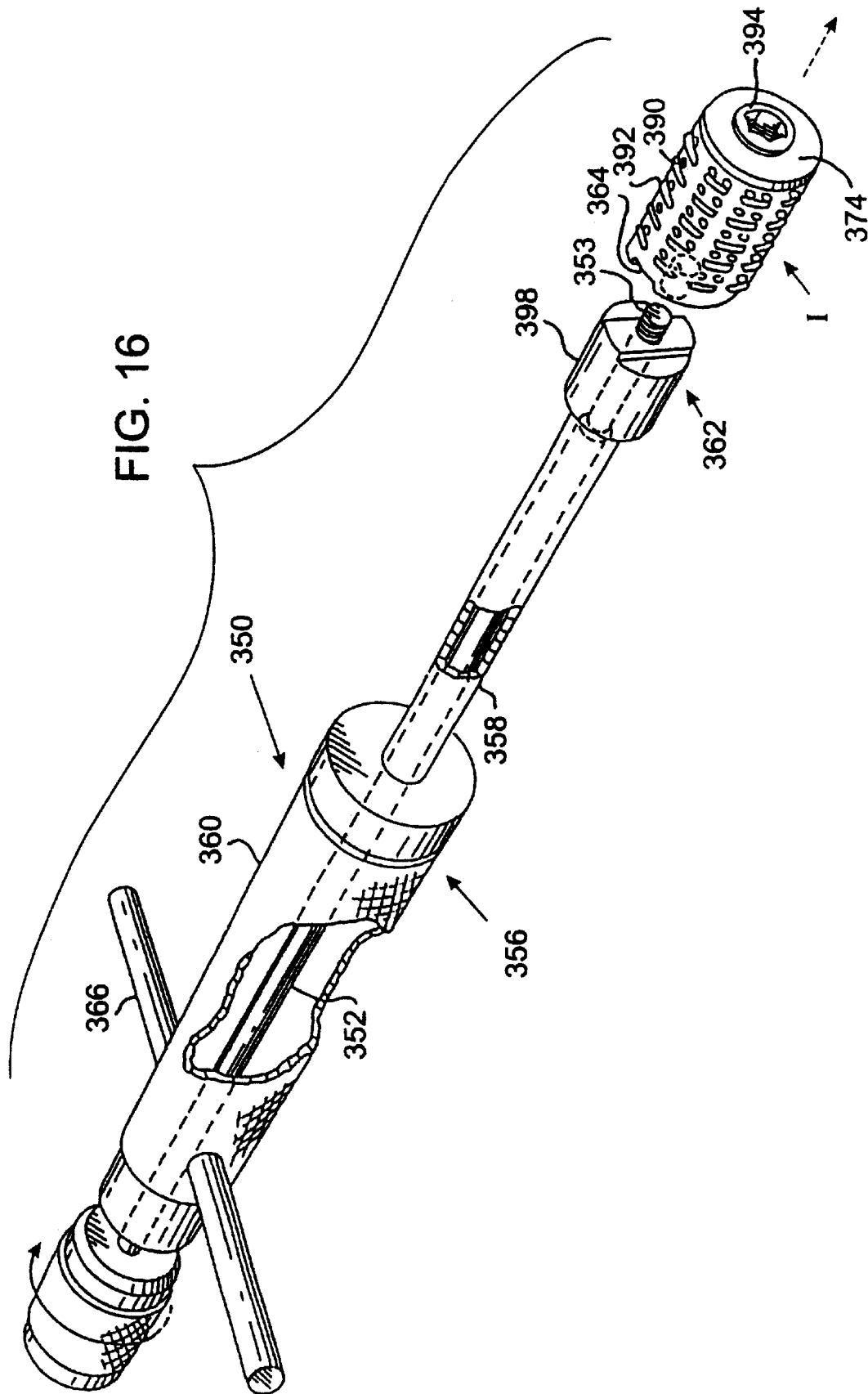


FIG. 16

FIG. 17

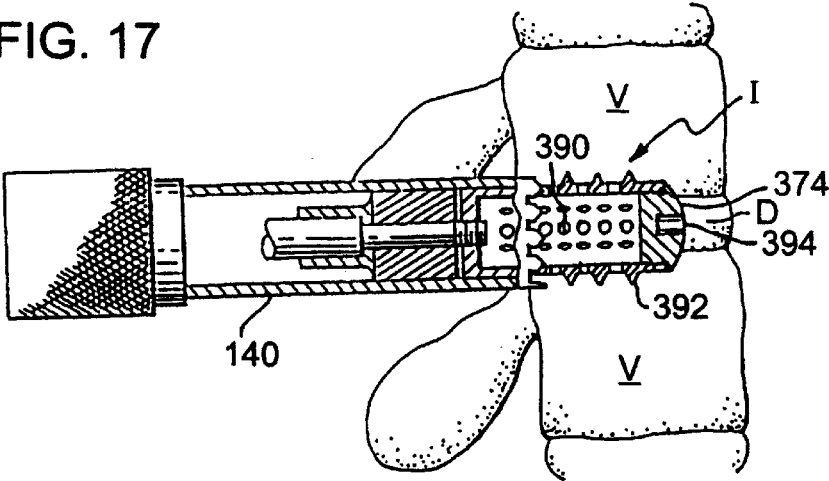
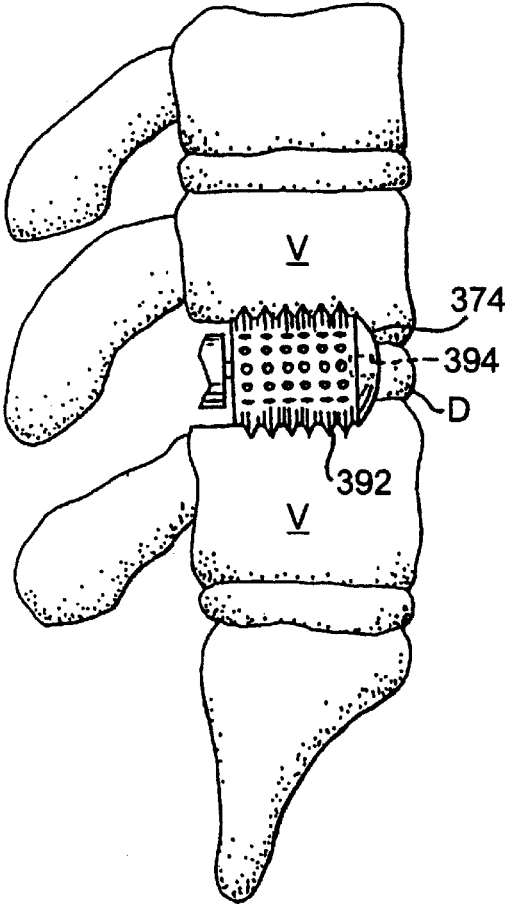
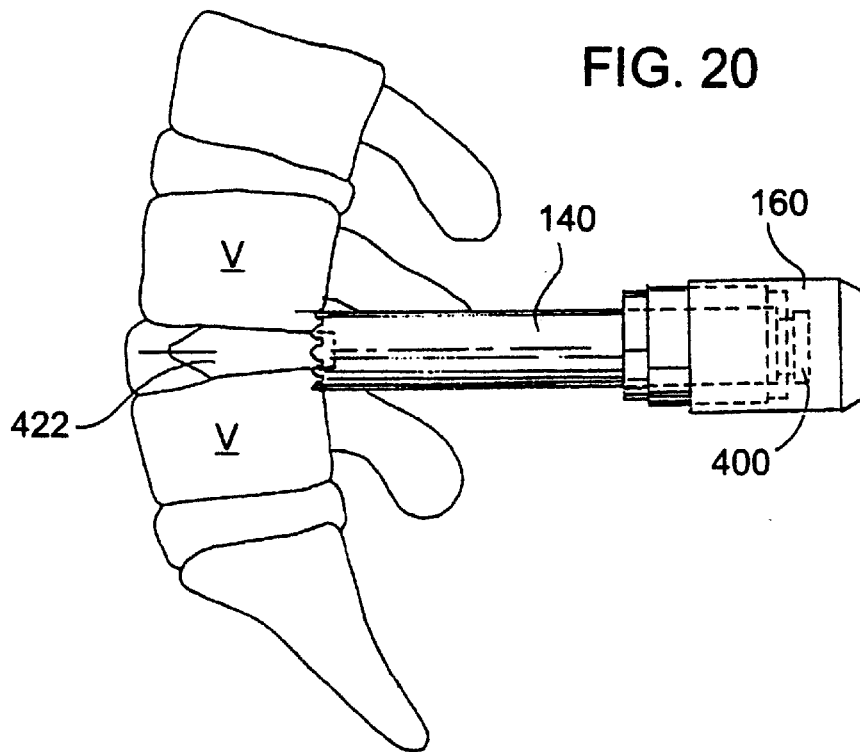
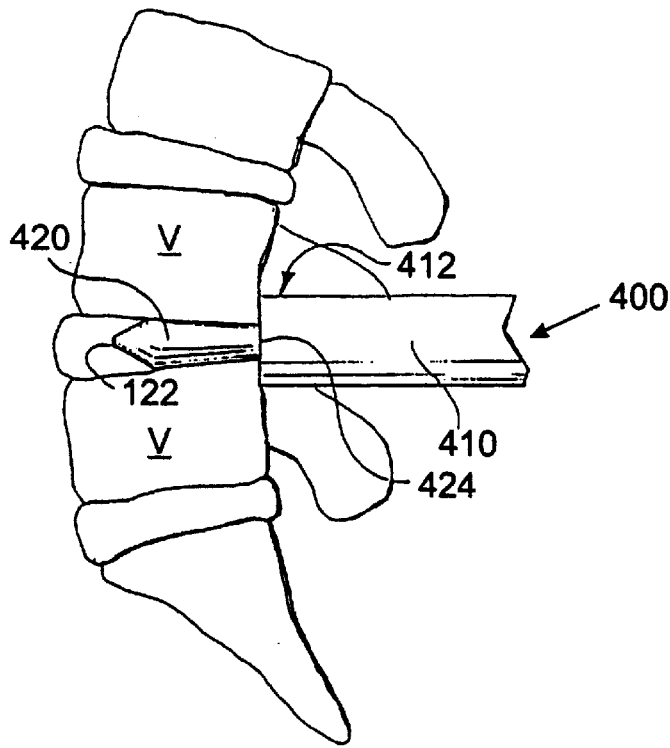


FIG. 18





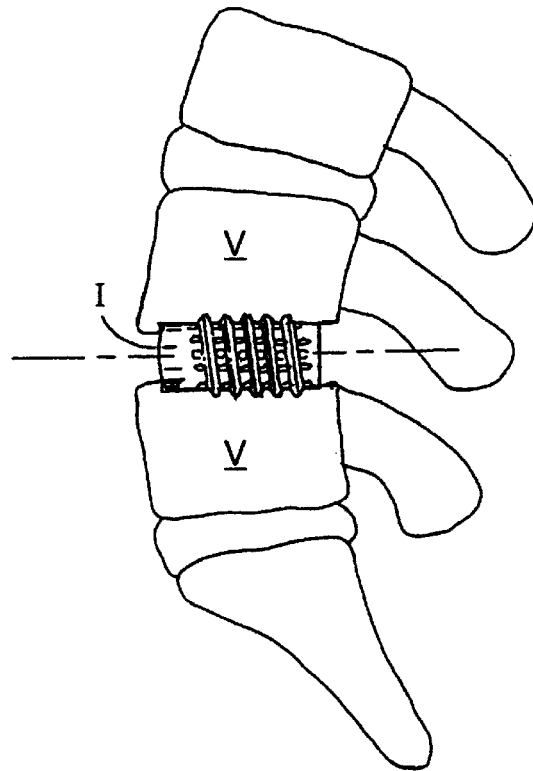
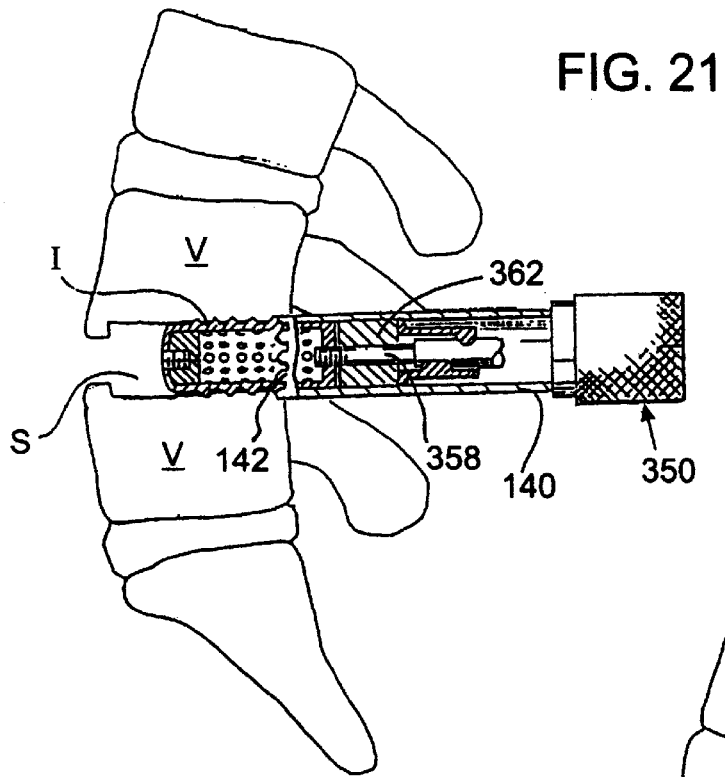


FIG. 22

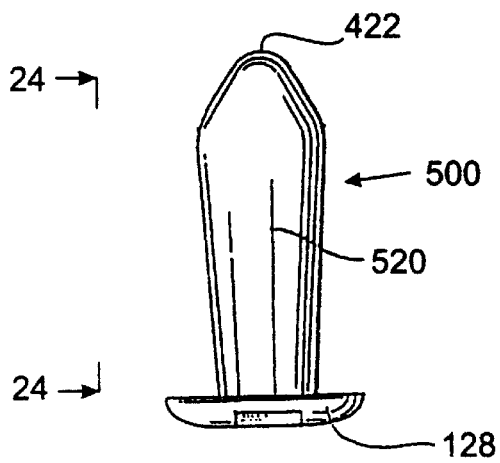


FIG. 23

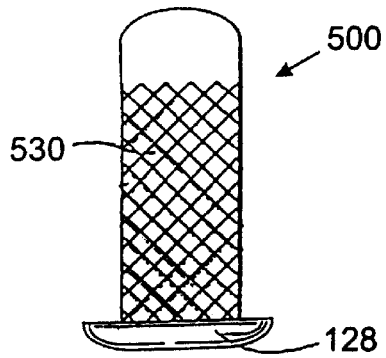


FIG. 24

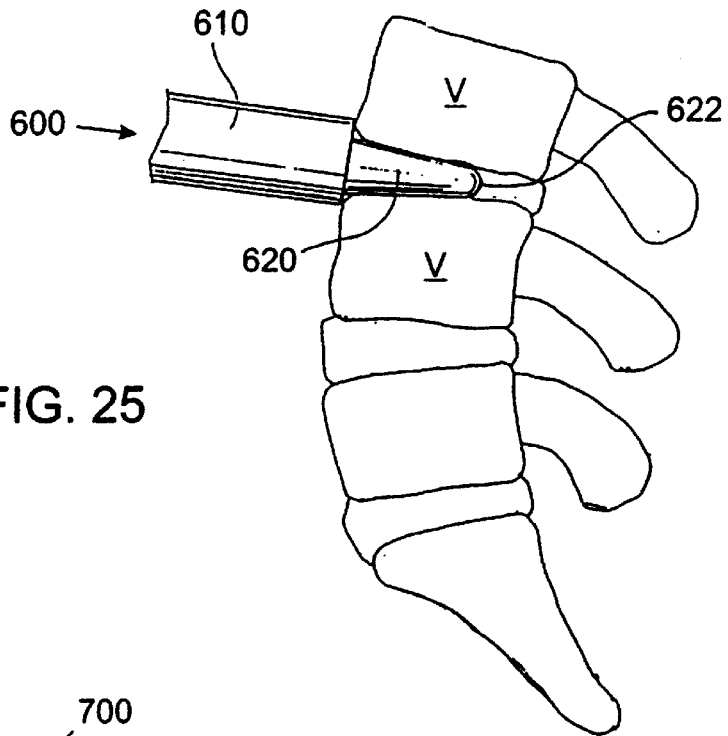


FIG. 25

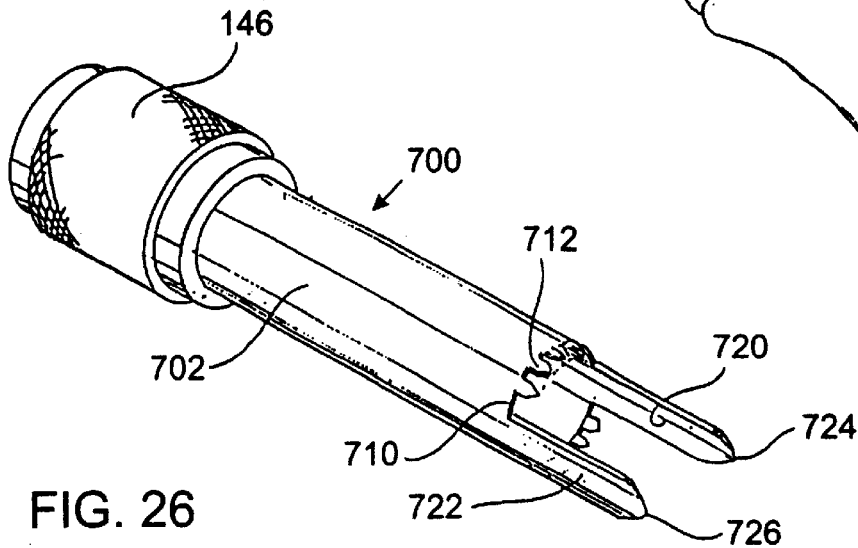


FIG. 26

FIG. 27

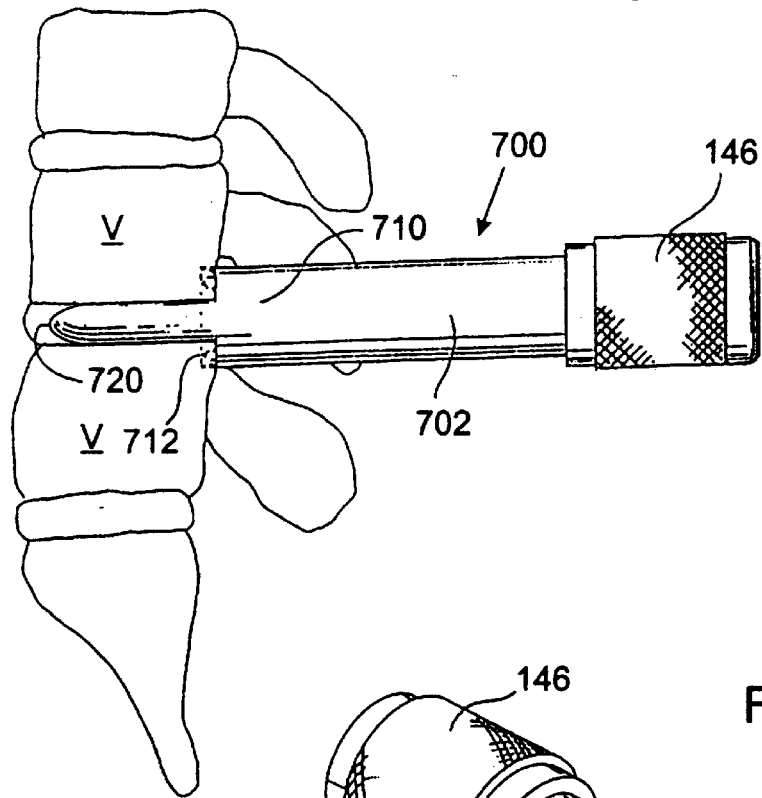


FIG. 28

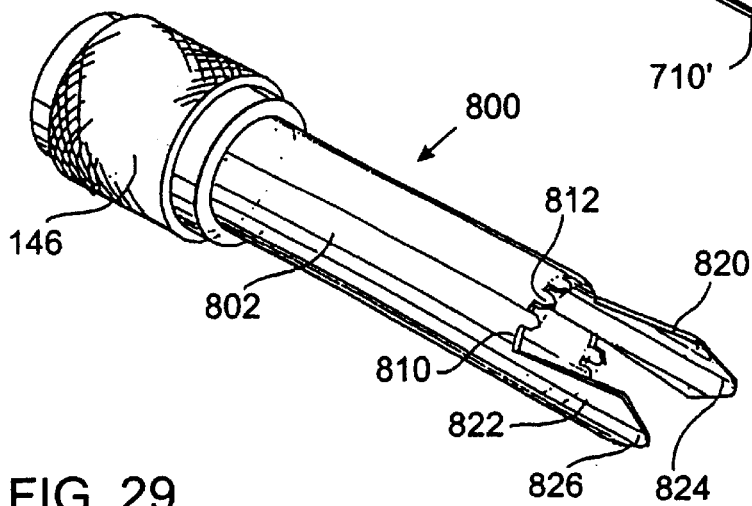
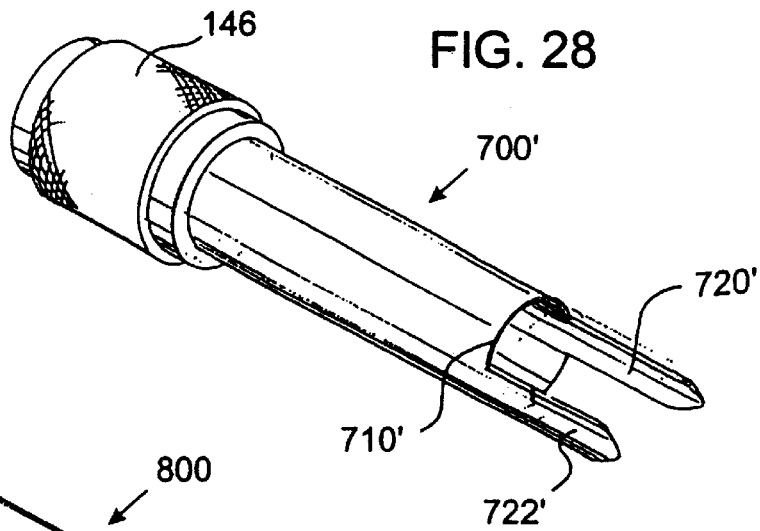


FIG. 29

FIG. 30

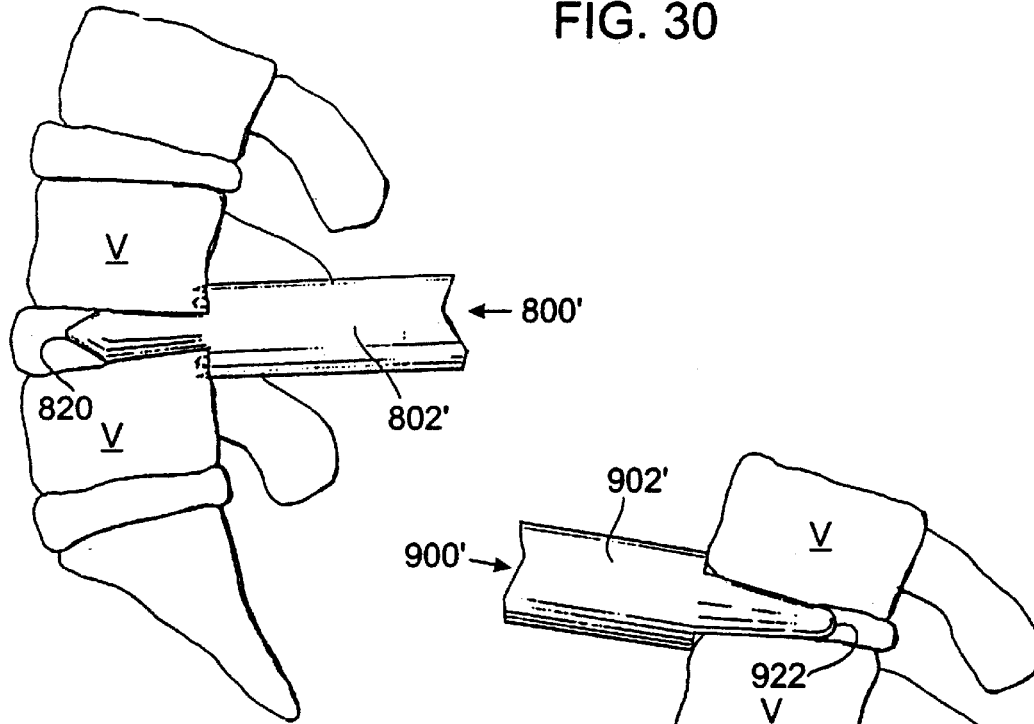
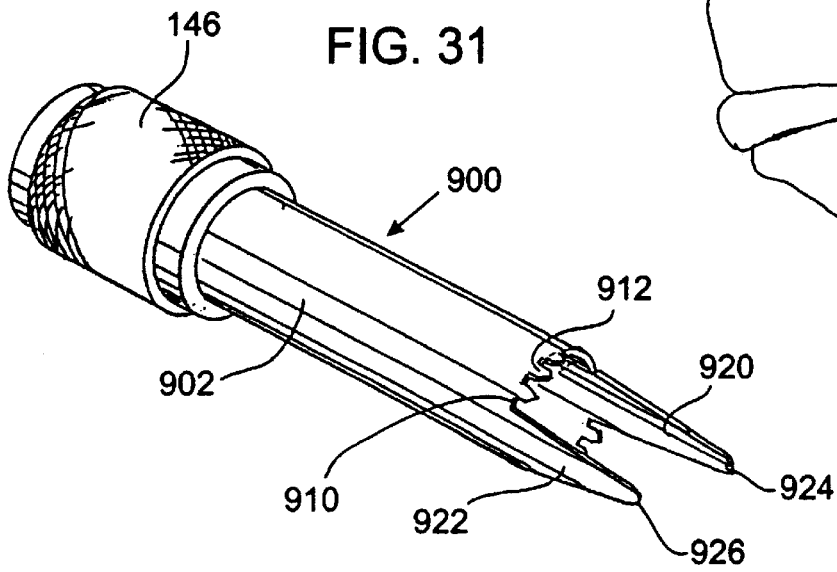


FIG. 32

FIG. 31



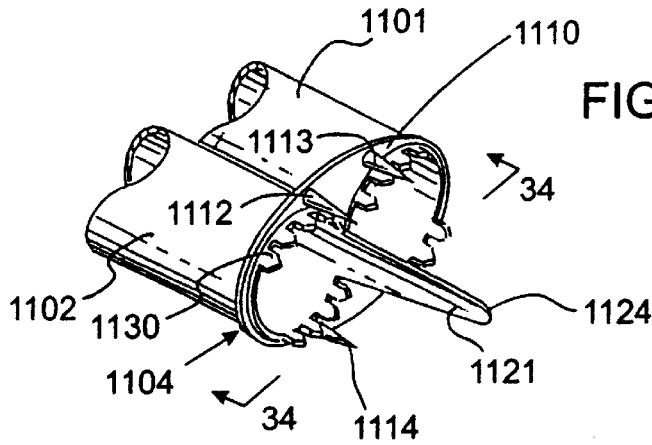


FIG. 33

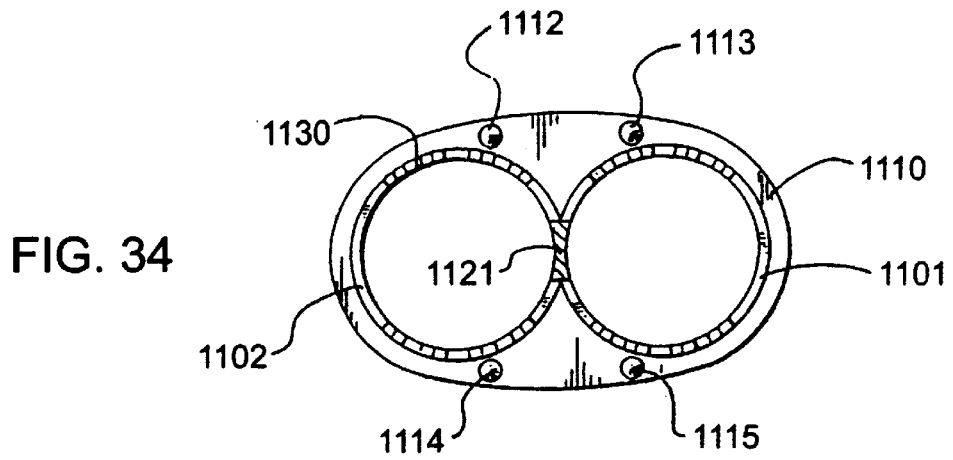


FIG. 34

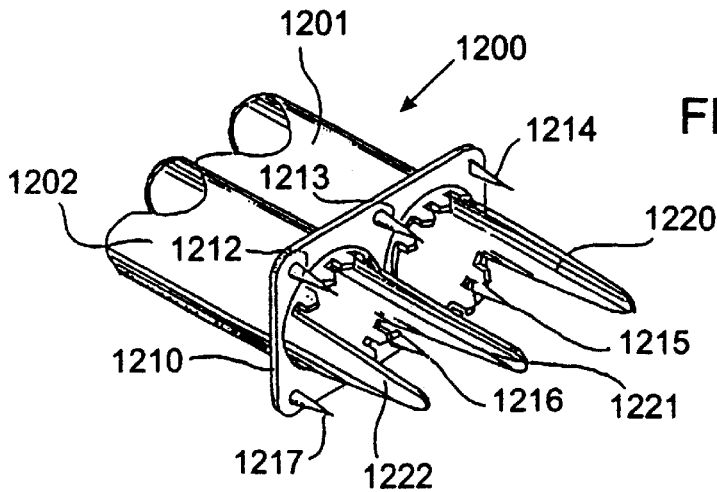


FIG. 35

FIG. 37

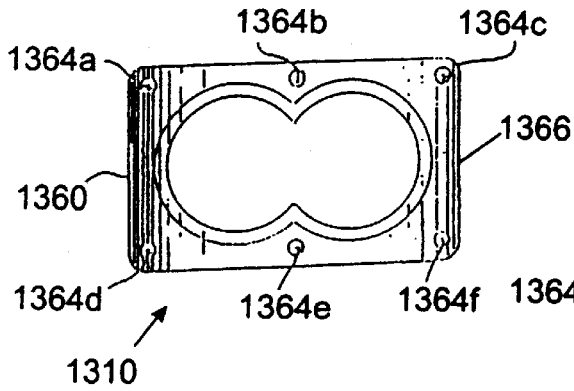


FIG. 38

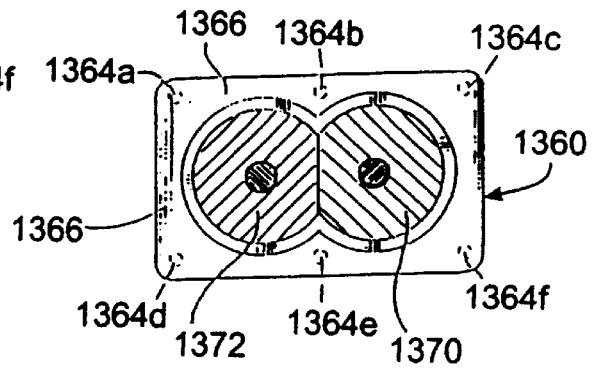


FIG. 36

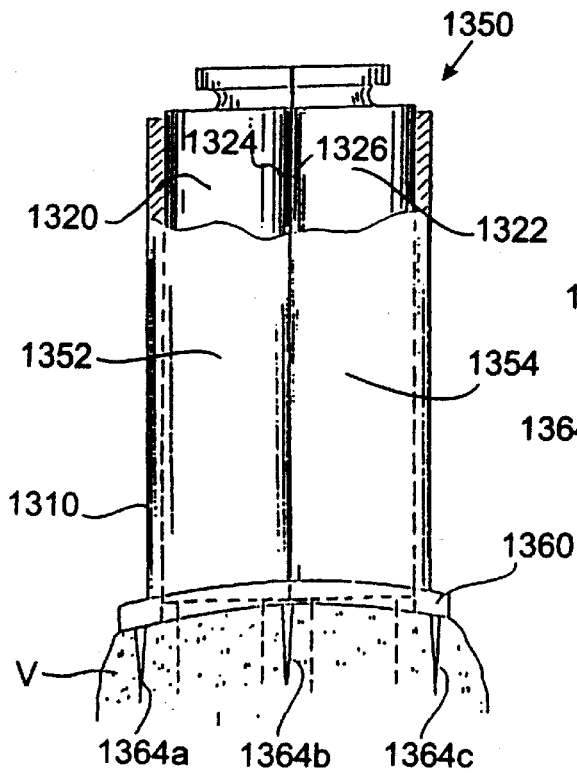
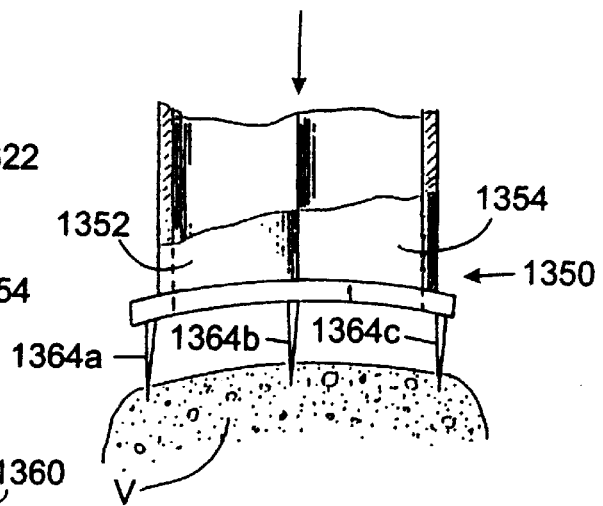
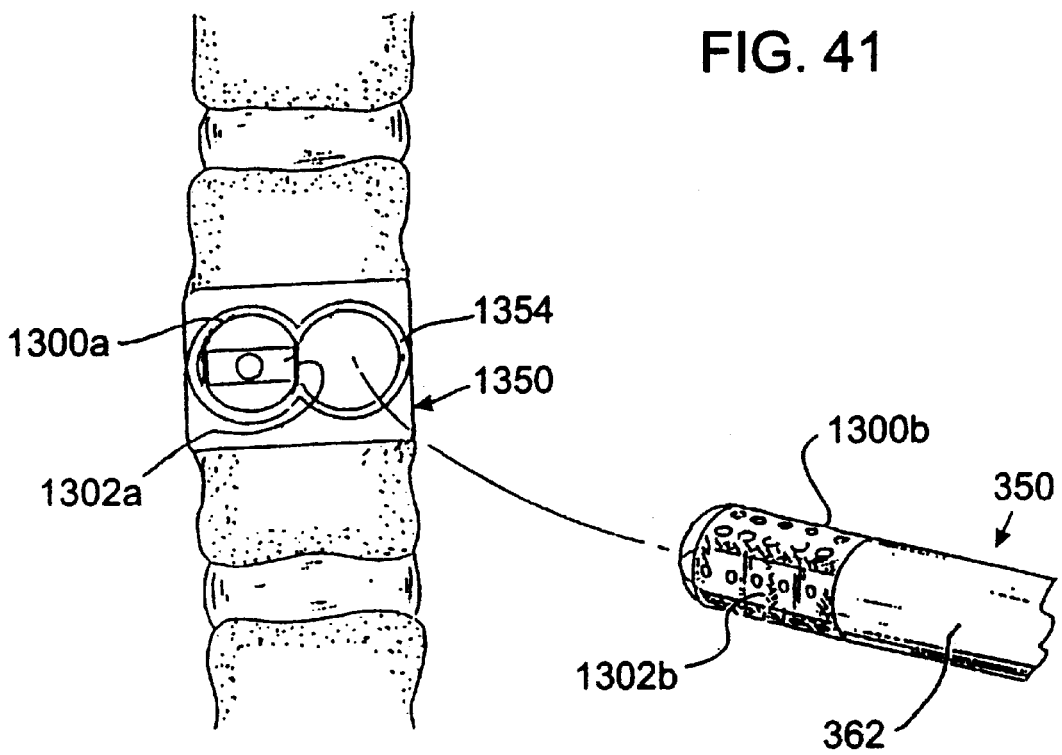
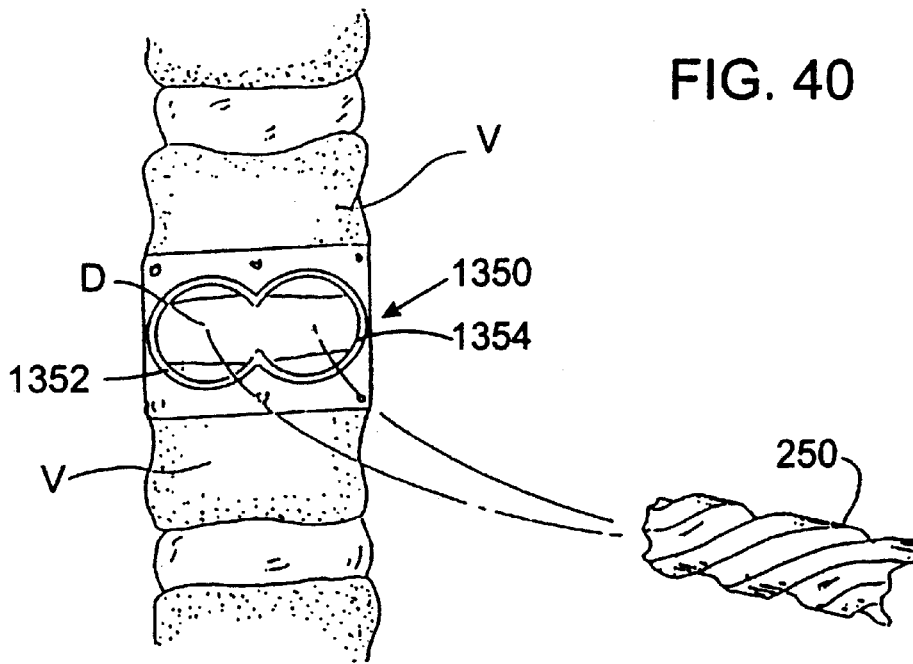


FIG. 39





APPARATUS FOR USE IN INSERTING SPINAL IMPLANTS

RELATED APPLICATIONS

This application is a continuation of application Ser. No. 09/605,001, filed Jun. 27, 2000; which is a continuation of application Ser. No. 08/396,414, filed Feb. 27, 1995, now U.S. Pat. No. 6,080,155; all of which are incorporated herein by reference.

BACKGROUND OF THE INVENTION

1. Field of the Invention

The present invention relates to artificial fusion implants to be placed into the intervertebral space left remaining after the removal of a damaged spinal disc and specifically to the apparatus for and method of, inserting the implants.

2. Description of the Prior Art

For the purpose of achieving long term stability to a segment of injured spine, a fusion (the joining together of two or more bones via a continuous bridge of incorporated bone) may be performed. Well-known to those skilled in such art is the interbody fusion wherein the disc is partially excised and bone placed within that space previously occupied by that disc material (between adjacent vertebrae) for the purpose of restoring a more normal spatial relationship, and to provide for stability; short term by mechanical support, and long term by the permanent cross bonding of bone from vertebra to vertebra. For fusion to occur within the disc space, it is necessary to prepare the vertebrae to be fused by breaking through, or cutting into, the hardened outside plates of bone (the endplates) to allow the interposed bone graft to come into direct contact with the more vascular cancellous (spongy) bone, and to thereby trick the body into attempting to heal this induced, but controlled, "fracturing" by both bone production and the healing of the grafts to both opposed vertebral surfaces such that they become one continuous segment of bone.

The purpose of the present invention is to provide an implant, and the apparatus and method of inserting the implant within the intervertebral space left after the removal of the disc material and permanently eliminate all motion at that location. To do so, the device of the present invention is space occupying within the disc interspace, rigid, self-stabilizing to resist dislodgement, stabilizing to the adjacent spinal vertebrae to eliminate local motion, and able to intrinsically participate in a vertebra to vertebra bony fusion so as to assure the permanency of the result.

At present, following the removal of a damaged disc, either bone or nothing is placed into the remaining space. Placing nothing into this space allows the space to collapse which may result in damage to the nerves; or the space may fill with scar tissue and eventually lead to a reherniation. The use of bone to fill the space is less than optimal in that bone obtained from the patient requires additional surgery and is of limited availability in its most useful form, and if obtained elsewhere, lacks living bone cells, carries a significant risk of infection, and is also limited in supply as it is usually obtained from accident victims. Furthermore, regardless of the source of the bone, it is only marginal structurally and lacks a means to either stabilize itself against dislodgement, or to stabilize the adjacent vertebrae.

a. Prior Art Implants

There have been an extensive number of attempts to develop an acceptable disc prosthesis (an artificial disc). Such devices by design would be used to replace a damaged

disc and seek to restore the height of the interspace and to restore the normal motion of that spinal joint. No such device has been found that is medically acceptable. This group of prosthetic or artificial disc replacements, seeking to preserve spinal motion and so are different from the present invention, would include:

U.S. Pat. No. 3,867,728 to STUBSTAD—describing a flexible disc implant.

U.S. Pat. No. 4,349,921 to KUNTZ—describing a flexible disc replacement with file-like surface projections to discourage device dislocation.

U.S. Pat. No. 4,309,777 to PATIL—describing a motion preserving implant with spiked outer surfaces to resist dislocation and containing a series of springs to urge the vertebrae away from each other.

U.S. Pat. No. 3,875,595 to FRONING—describing a motion preserving bladder-like disc replacement with two opposed stud-like projections to resist dislocation.

U.S. Pat. No. 2,372,622 to FASSIO (France)—describing a motion preserving implant comprising complimentary opposed convex and concave surfaces.

In summary, these devices resemble the present invention only in that they are placed within the intervertebral space following the removal of a damaged disc. In that they seek to preserve spinal motion, they are diametrically different from the present invention which seeks to permanently eliminate all motion at that spinal segment.

A second related area of prior art includes those devices utilized to replace essentially wholly removed vertebrae. Such removal is generally necessitated by extensive vertebral fractures, or tumors, and is not associated with the treatment of disc disease. While the present invention is to be placed within the disc space, these other vertebral devices cannot be placed within the disc space as at least one vertebra has already been removed such that there no longer remains a "disc space". Furthermore, these devices are limited in that they seek to perform as temporary structural members mechanically replacing the removed vertebrae (not a removed disc), and do not intrinsically participate in supplying osteogenic material to achieve cross vertebral bony fusion. Therefore, unlike the present invention which provides for a source of osteogenesis, use of this group of devices must be accompanied by a further surgery consisting of a bone fusion procedure utilizing conventional technique. This group consisting of vertebral struts rather than disc replacements would include the following:

U.S. Pat. No. 4,553,273 to WU—describing a turnbuckle-like vertebral strut.

U.S. Pat. No. 4,401,112 to REZAIAN—describing a turnbuckle-like vertebral strut with the addition of a long stabilizing staple that spans the missing vertebral body.

U.S. Pat. No. 4,554,914 to KAPP—describing a large distractible spike that elongates with a screw mechanism to span the gap left by the removal of an entire vertebra and to serve as an anchor for acrylic cement which is then used to replace the missing bone (vertebrae).

U.S. Pat. No. 4,636,217 to OGILVIE—describing a vertebral strut mechanism that can be implanted after at least one vertebrae has been removed and consists of a mechanism for causing the engagement of screws into the vertebrae above and the vertebrae below the one removed.

In summary, this second group of devices differs from the present invention in that they are vertebral replacements struts, do not intrinsically participate in the bony fusion, can only be inserted in the limited circumstances where an entire

vertebra has been removed from the anterior approach, and are not designed for, or intended to be used for the treatment of disc disease.

A third area of prior art related to the present invention includes all devices designed to be applied to one of the surfaces of the spine. Such devices include all types of plates, struts, and rods which are attached by hooks, wires and screws. These devices differ significantly from the present invention in that they are not inserted within the disc space and furthermore do not intrinsically participate in supplying osteogenic material for the fusion.

Therefore, where permanent spinal immobilization is desired, an additional surgery, consisting of a spinal fusion performed by conventional means or the use of supplemental methylmethacrylate cement is required. Such devices applied to the spine, but not within the disc space, would include the following:

U.S. Pat. No. 4,604,995 to STEPHENS—describing a “U” shaped metal rod attached to the posterior elements of the spine with wires to stabilize the spine over a large number of segments.

U.S. Pat. No. 2,677,369 to KNOWLES—describing a metal column device to be placed posteriorly along the lumbar spine to be held in position by its shape alone and to block pressure across the posterior portions of the spinal column by locking the spine in full flexion thereby shifting the maximum weight back onto the patient’s own disc.

Other devices are simply variations on the use of rods (e.g. Harrington, Luque, Cotrel-Dubosset, Zielke), wires or cables (Dwyer), plates and screws (Steffee), or struts (Dunn, Knowles)

In summary, none of these devices are designed to be nor can be used within the disc space. Moreover, these devices do not replace a damaged disc, and do not intrinsically participate in the generation of a bony fusion.

Another area of related prior art to be considered is that of devices designed to be placed within the vertebral interspace following the removal of a damaged disc, and seeking to eliminate further motion at that location.

Such a device is contained in U.S. Pat. No. 4,501,269 issued to BAGBY which describes an implantable device and limited instrumentation. The method employed is as follows: a hole is bored transversely across the joint and a hollow metal basket of larger diameter than the hole is then pounded into the hole and then the hollow metal basket is filled with the bone debris generated by the drilling.

While the present invention (device, instrumentation, and method) may appear to bear some superficial resemblance to the BAGBY invention, it is minimal, while the differences are many fold and highly significant. These differences include the following:

1. Safety—The present invention provides for a system of completely guarded instrumentation so that all contiguous vital structures (e.g. large blood vessels, neural structures) are absolutely protected. The instrumentation of the present invention also makes overpenetration by the drill impossible. Such overpenetration in the cervical spine, for example, would result in the total paralysis or death of the patient. In the thoracic spine, the result would be complete paraplegia. In the lumbar spine, the result would be paraplegia or a life-threatening perforation of the aorta, vena cava, or iliac vessels.

The present invention is atraumatically screwed into place while the BAGBY device, in contradistinction, is pounded into position. BAGBY describes that its implant is signifi-

cantly larger in size than the hole drilled and must be pounded in. This is extremely dangerous and the pounding occurs directly over the spinal cord which is precariously vulnerable to percussive injury. Furthermore, while it is possible, for example in the lumbar spine, to insert the present invention away from the spinal cord and nerves, the BAGBY device must always be pounded directly towards the spinal cord.

Furthermore, since the BAGBY device is pounded into a smooth hole under great resistance, and lacking any specific design features to secure it, the device is highly susceptible to forceful ejection which would result in great danger to the patient and clinical failure. The present invention, in contradistinction, is securely screwed into place, and possesses highly specialized locking threads to make accidental dislodgement impossible. Because of the proximity of the spinal cord, spinal nerves, and blood vessels, any implant dislodgement as might occur with the BAGBY device might have catastrophic consequences.

2. Broad applicability—The BAGBY device can only be inserted from the front of the vertebral column, however, in contrast, the present invention can be utilized in the cervical, thoracic, and lumbar spine, and can be inserted from behind (posteriorly) in the lumbar spine. This is of great importance in that the purpose of these devices is in the treatment of disc disease and probably greater than 99 percent of all lumbar operations for the treatment of disc disease are performed from behind where the present invention can easily be utilized, but the BAGBY device, as per BAGBY’S description, cannot.

3. Disc removal—The BAGBY invention requires the complete removal of the disc prior to the drilling step, whereas the present invention eliminates the laborious separate process of disc removal and efficiently removes the disc and prepares the vertebral end plates in a single step.

4. Time required—The present invention saves time over the BAGBY invention since time is not wasted laboring to remove the disc prior to initiating the fusion. Also, with the present invention the procedure is performed through a system of guarded instrumentation, time is not wasted constantly placing and replacing various soft tissue retractors throughout the procedure.

5. Implant stability—Dislodgement of the implant would be a major source of device failure (an unsuccessful clinical result), and might result in patient paralysis or even death. As discussed, the BAGBY device lacks any specific means of achieving stability and since it is pounded in against resistance to achieve vertebral distraction, and is susceptible to forceful dislodgement by the tendency of the two distracted vertebrae, to return to their original positions squeezing out the device. The present invention, however, is screwed into place. As there is no unscrewing force present between the vertebrae, compression alone cannot dislodge the implant. The implant is inherently stable by its design. Furthermore, the threads of the present invention are highly specialized in that they are periodically interrupted so that the tail ends of each of the tabs so formed are blunted and twisted so as to resist accidental unscrewing. The removal of an implant with such “locking threads” requires the use of a special extractor included within the instrumentation. The stability of the present invention is still further enhanced, again in contradistinction to the BAGBY device, by the presence of a “bone ingrowth” surface texturing, which both increases the friction of the fit and allows for the direct growth of the vertebral bone into the casing of the implant itself.

6. Spinal stability—The present invention is not only self-stabilizing, it also provides stability to the adjacent vertebrae in at least three ways that the BAGBY device cannot. First, the BAGBY device is placed transversely across the joint in the center, leaving both vertebrae free to rock back and forth over this round barrel shaped axis, much like a board over a barrel, being used for a seesaw.

Secondly, as the BAGBY device lacks any specific design features to resist sliding, it may actually behave as a third body allowing the translation of the vertebrae relative to the device and to each other.

Thirdly, any device can only provide stability if it remains properly, seated. The present invention is inherently stable, and therefore assures that it will stabilize the adjacent vertebrae, rather than, as with the BAGBY, the instability of the spine to be treated may cause a dislocation of the BAGBY implant, with further loss of spinal stability.

7. The collapse of the interspace—While both the present invention and the BAGBY device can be fabricated to withstand the compression forces within the interspace, the interspace may nevertheless collapse under the superincumbent body weight as the implant settles into the vertebral bone. This is related to the load per unit area. Again the present invention is superior to the BAGBY device in at least four ways.

First, the present invention offers considerably greater surface area to distribute the load. Secondly, while the BAGBY device is placed centrally, the present device is placed bilaterally where the bone tends to be more cortical and much stronger out towards the rim. Thirdly, the present invention supports the load achieving an “I” beam effect, whereas the BAGBY implant does not. Fourthly, it is not pressure alone that causes the collapse of the bone adjacent to the implant, but also bony erosion that is caused by the motion under pressure of the implant against the bone. As discussed in item 6 above, the present invention alone is highly resistant to such motion, again diminishing the likelihood of erosion and interspace collapse.

8. Bone ingrowth surface texturing—The present invention has a surface treatment of known and conventional technology to induce the growth of bone from the vertebrae directly into the casing material of the implant itself. The BAGBY device has no similar feature. {L.A.—we may want to list examples of these bone growth factors}.

9. Fusion mass—The BAGBY invention calls for removing the disc and then drilling a hole between the adjacent vertebrae. The bony debris so generated is then put into the device. The present invention takes a core of pure bone producing marrow from the iliac crest, and then by use of a special press, forcibly injects the implant device with an extremely dense compressed core of that osteogenic material until the material itself virtually extrudes from every cell of the implant.

10. The probability of achieving fusion—The fusion rate within the spine is known to be related directly to the amount of exposed vascular bone bed area, the quality and quantity of the fusion mass available, and the extent of the stabilization obtained with all other factors being half constant. It would then be anticipated, that the fusion rate would be superior with the present invention as compared to the BAGBY device, because of optimal implant stability (#5), optimal spinal stability (#6), bone ingrowth surface treatment (#8), superior fusion mass (#9), and the greater exposed vertebral bony surface area (#7).

The last area of prior art possibly related to the present invention and therefore, to be considered related to “bony

ingrowth”, are patents that either describe methods of producing materials and or materials or devices to achieve the same. Such patents would include:

U.S. Pat. No. 4,636,526 (DORMAN), U.S. Pat. No. 4,634,720 (DORMAN), U.S. Pat. No. 4,542,539 (ROWE), U.S. Pat. No. 4,405,319 (COSENTINO), U.S. Pat. No. 4,439,152 (SMALL), U.S. Pat. No. 4,168,326 (BROEMER), U.S. Pat. No. 4,535,485 (ASHMAN), U.S. Pat. No. 3,987,499 (SCHARBACH), U.S. Pat. No. 3,605,123 (HAHN), U.S. Pat. No. 4,655,777 (DUNN), U.S. Pat. No. 4,645,503 (LIN), U.S. Pat. No. 4,547,390 (ASHMAN), U.S. Pat. No. 4,608,052 (VAN KAMPEN), U.S. Pat. No. 4,698,375 (DORMAN), U.S. Pat. No. 4,661,536 (DORMAN), U.S. Pat. No. 3,952,334 (BOKROS), U.S. Pat. No. 3,905,047 (LONG), U.S. Pat. No. 4,693,721 (DUCHEYNE), U.S. Pat. No. 4,070,514 (ENTHERLY).

However, while the implant of the present invention would utilize bone ingrowth technology, it would do so with conventional technology.

b. Prior Art Instrumentations and Methods

The following is a history of the prior art apparatus and methods of inserting spinal implants:

In 1956, Ralph Cloward developed a method and instruments which he later described for preparing the anterior aspect (front) of the cervical spine, and then fusing it. Cloward surgically removed the disc to be fused across and then placed a rigid drill guide with a large foot plate and prongs down over an aligner rod and embedded said prongs into the adjacent vertebrae to maintain the alignment so as to facilitate the reaming out of the bone adjacent the disc spaces. As the large foot plate sat against the front of the spine, it also served as a fixed reference point to control the depth of drilling. The reaming left two opposed resected arcs, one each, from the opposed vertebral surfaces. The tubular drill guide, which was placed only preliminary to the drilling, was thereafter completely removed. A cylindrical bony dowel, significantly larger in diameter than the hole formed, was then pounded into the hole already drilled. Cloward’s method of instrumentation was designed for, and limited to, use on the anterior aspect and in the region of the cervical spine only. The hole was midline, which would preclude its use posteriorly where the spinal cord would be in the way.

As the bone graft to be inserted in Cloward’s method was necessarily larger in diameter than the hole drilled, the graft could not be inserted through the drill guide. This mandated the removal of the drill guide and left the graft insertion phase completely unprotected. Thus Cloward’s method and instrumentation was inappropriate for posterior application.

In addition, the failure to provide continuous protection to the delicate neural structures from the instruments, as well as the bony and cartilaginous debris generated during the procedure, made Cloward’s method inappropriate for posterior application. Also, the drill guide described by Cloward could not be placed posteriorly within the spinal canal, as the foot plate would crush the nerves. Modifying Cloward’s drill guide by removing the foot plate completely, would still leave the instrument unworkable as it would then lack stability, and would not be controllable for depth of seating.

Nevertheless, Wilterberger, (Wilterberger, B. R., Abbott, K. H., “Dowel Intervertebral Fusion as Used in Lumbar Disc Surgery,” *The Journal of Bone and Joint Surgery*, Volume 39A, pg. 234–292, 1957) described the unprotected drilling of a hole from the posterior into the lumbar spine between the nerve roots and across the disc space, and then inserting a stack of button-like dowels into that space. While Wilter-

berger had taken the Cloward concept of circular drilling and dowel fusion and applied it to the lumbar spine from a posterior approach, he had not provided for an improved method, nor had he advanced the instrumentation so as to make that procedure sufficiently safe, and it rapidly fell into disrepute.

Crock (Crock, H. V., "Anterior Lumbar Interbody Fusion—Indications for its Use and notes on Surgical Technique," *Clinical Orthopedics*, Volume 165, pg. 157–163, 1981) described his technique and instrumentation for Anterior Interbody Fusion of the lumbar spine, wherein he drilled two large holes side by side across the disc space from anterior to posterior essentially unprotected and then pounded in two at least partially cylindrical grafts larger than the holes prepared.

A review of the prior art is instructive as to a number of significant deficiencies in regard to the method and instrumentation for the performance of Interbody Spinal Fusion utilizing drilling to prepare the endplates.

As the great majority of spinal surgery is performed in the lumbar spine and from posteriorly, a review of the prior art reveals a number of deficiencies in regard to the spine in general, and to the posterior approach to the lumbar spine specifically. These deficiencies include the:

1. Failure to protect the surrounding tissues throughout the procedure, specifically, prior to drilling and until after the insertion of the graft;
2. Failure to contain the debris, bony and cartilaginous, generated during the procedure;
3. Failure to optimize the contact of the cylindrical drill hole and bone graft, the mismatch in their diameters resulting in incongruence of fit;
4. Failure to determine the optimal drill size prior to drilling;
5. Failure to determine the optimal amount of distraction prior to drilling;
6. Inability to optimize the amount of distraction so as to restore the normal spatial relationships between adjacent vertebrae;
7. Inability to create sufficient working space within the spinal canal (between the nerve roots and the dural sac) to make the procedure safe;
8. Absent a foot plate on the drill guide, as necessitated by the close tolerances posteriorly, the inability to reliably insure that the drilling is parallel to the vertebral endplates;
9. The inability to insure equal bone removal from the opposed vertebral surfaces; and
10. The inability to determine within the spinal canal, the proper side by side positioning for dual drill holes.

BRIEF SUMMARY OF THE INVENTION

The present invention comprises a series of artificial implants, the purpose of which is to participate in, and directly cause bone fusion across an intervertebral space following the excision of a damaged disc. Such implants are structurally load bearing devices, stronger than bone, capable of withstanding the substantial forces generated within the spinal interspace. The devices of the present invention have a plurality of macro sized cells and openings, which can be loaded with fusion promoting materials, such as autogenous bone, hydroxyapatite, hydroxyapatite tricalcium phosphate, or bone morphogenetic protein, for the purpose of materially influencing the adjacent vertebrae to perform a bony bond to the implants and to each other. The

implant casing may be surface textured or otherwise treated by any of a number of known technologies to achieve a "bone ingrowth surface" to further enhance the stability of the implant and to expedite the fusion.

The devices of the present invention are configured and designed so as to promote their own stability within the vertebral interspace and to resist being dislodged, and furthermore, to stabilize the adjacent spinal segments.

The apparatus and method of the present invention for preparing the vertebrae for insertion of the implant allows for the rapid and safe removal of the disc, preparation of the vertebrae, performance of the fusion, and internal stabilization of the spinal segment.

The present invention is a method for Interbody Spinal Fusion utilizing novel instrumentation, whereby a protective tubular member, or paired tubular members are placed prior to the drilling part of the procedure and may be left in place until the implant is fully seated.

By way of example, regarding the posterior approach to the lumbar spine, two distractors are used to separate two adjacent vertebrae to a preferred distance. A hollow Outer Sleeve having teeth at one end is driven into the adjacent vertebrae on one side to hold the vertebrae in position when the distractor is removed, a diameter reducing hollow Inner Sleeve is introduced into the Outer Sleeve, a drill having a drill stop is passed through the hollow Inner Sleeve to drill a hole to a desired depth, and an implant is inserted in the hole. The method is repeated on the other side of the disc.

The present invention provides apparatus and method of inserting spinal implants from the anterior, posterior and lateral aspect of the spine. The instrumentation and method of the present invention provides a distractor instrument configured to restore and maintain the normal angular relationship of the vertebrae of the spine, known as lordosis or kyphosis, prior to the completion of the fusion procedure. The present invention also provides an extended outer sleeve that is a combination distractor and outer sleeve used for performing the surgical procedure of the present invention. The combination distractor and outer sleeve may also be configured to maintain the normal angular relationship of the vertebrae during the surgical procedure. The present invention further discloses a combination distractor outer sleeve that may be used to perform the surgical procedure of the present invention from the lateral aspect of the spinal column that protects the great vessels and neural structures from being damaged during the surgical procedure.

In summary then, the present invention, instrumentation, and method, provides for the performance of a total nuclear discectomy, an interbody fusion, a rigid internal fixation of the spine as a single integrated surgical procedure.

Discussion of the Instrumentation

The apparatus and method of the present invention provide the following advantages:

1. The present invention is safer by providing protection of the surrounding tissues. An Outer Sleeve places all of the delicate soft tissue structures, nerves, blood vessels, and organs outside of the path of the various sharp surgical instruments and the implant. Further, it is an improvement upon hand held retractors in that it occupies the least possible amount of area, avoids the stretching associated with manual retraction, provides for the retraction and shielding of the surrounding tissues in all directions circumferentially and simultaneously, and it does so exclusively with smooth, curved surfaces.

2. The present invention is safer by providing protection against the danger of instrument or implant overpenetration.

3. The present invention is safer as the surgical site and wound are protected from the debris generated during the procedure.

4. The present invention is safer because the method provides for absolute protection to the soft tissues directly and from indirect injury by overpenetration. It makes safe the use of power instrumentation which is both more effective and efficient.

5. The present invention maintains the vertebrae to be fused rigid throughout the procedure.

6. The present invention holds the vertebrae to be fused aligned throughout the procedure.

7. The present invention holds the vertebrae to be fused distracted throughout the procedure.

8. The present invention assures that all instruments introduced through the Outer Sleeve are coaxial and equally centered through the disc space and parallel the endplates.

9. The present invention facilitates the implant insertion by countering the high compressive forces tending to collapse the interspace, which if left unchecked would resist the introduction and advancement of the implant and make stripping more likely.

10. The present invention extends the range and use of the procedure and similarly the interbody spinal implant itself by making the procedure safe throughout the spine.

11. The present invention increases the ability to use a specifically sized implant.

12. In the present invention the end of all the penetrating instrumentation is blunt faced.

13. In the present invention all of the instruments have been stopped at a predetermined depth to avoid overpenetration.

14. The design of the Outer Sleeve in the present invention conforms to the spacial limitations of the specific surgical site.

15. The design and use of a second or Inner Sleeve in the present invention allows for the difference in size between the inside diameter of the Outer Sleeve, and the outside diameter of the drill itself. This difference being necessary to accommodate the sum of the distraction to be produced, and the depth of the circumferential threading present of the implant.

16. In the present invention a specially designed drill bit with a central shaft recess allows for the safe collection of the drilling products, which can then be removed without disturbing the Outer Sleeve by removing the drill bit and Inner Sleeve as a single unit.

17. In the present invention a specially designed trephine is provided for preparing cylindrical holes across the disc space and into two adjacent vertebrae, and for harvesting of the bone graft by removing a core of bone slightly smaller in diameter than the internal diameter of the implant cavity itself, however of a greater length.

18. In the present invention a specially designed press for forcefully compressing and injecting the long core of autogenous bone into the implant, such that it extrudes through the implant itself.

19. In the present invention a specially designed driver extractor, which attaches to the implant and allows the implant to be either inserted or removed without itself dissociating from the implant, except by the deliberate disengagement of the operator.

20. In the present invention predistracton increases the working space.

21. The Distractor in the present invention is self-orienting acting as a directional finder.

22. The Distractor in the present invention is self-centralizing between the opposed vertebral surfaces acting as a centering post for the subsequent bone removal.

23. In the present invention predistracton assures the equal removal of bone from the adjacent vertebral surfaces.

24. In the present invention predistracton assures the exact congruence between the hole drilled and the device.

25. In the present invention predistracton assures that the drilling is parallel to the vertebral endplates.

26. In the present invention predistracton allows for the determination of the optimal distraction prior to drilling.

27. In the present invention predistracton allows for the verification of the correct prosthesis size prior to drilling.

28. In the present invention predistracton facilitates device insertion by relieving the compressive loads across the interspace which would resist implantation.

29. In the present invention predistracton decreases the likelihood of stripping the bone during insertion.

30. In the present invention predistracton provides for the side by side positioning, spacing, and parallelism required prior to the irrevocable event of drilling.

31. In the present invention predistracton provides for the rigid stabilization of the vertebrae opposed to the disc space throughout the surgical procedure.

32. In the present invention predistracton provides for an implant easier to insert as the compressive loads of the opposed vertebrae are held in check so that the device itself need not drive the vertebrae apart to be inserted.

33. In the present invention predistracton allows for the insertion of a more effective implant as more of the implant can be dedicated to its intended purpose and be full diameter, whereas without the benefit of predistracton and the ability to maintain the same, a significant portion of the forward end of the implant would need to be dedicated to the purpose of separating the opposing vertebrae.

34. The present invention allows for the use of an implant with a sharper thread or surface projections as there is no danger to the surrounding tissues.

35. The present invention allows for the implant to be fully preloaded as provided to the surgeon, or for the surgeon to load it with the material of his choice at the time of surgery.

36. The present invention allows for the loading of a spinal implant outside of the spinal canal and prior to implantation.

37. The present invention provides for Distractors for the restoration of the physiologic amount of lordosis/kyphosis at any given level of the spine.

38. The Distractors of the present invention provide for the restoration of sagittal spinal alignment and the segmental correction of scoliosis.

39. The present invention provides Extended Outer Sleeves which are a combined Distractor and Outer Sleeve for the three dimensional segmental restoration of spinal alignment.

OBJECTS OF THE PRESENT INVENTION

It is an object of the present invention to provide an improved method of performing a discectomy, a fusion, and an internal stabilization of the spine, and specifically, all three of the above simultaneously and as a single procedure.

It is another object of the present invention to provide an improved method of performing a discectomy, a fusion, and an internal stabilization of the spine, which is both quicker and safer than is possible by previous methods.

It is another object of the present invention to provide an improved method of performing a discectomy, a fusion and an internal stabilization of the spine, to provide for improved surgical spinal implants.

It is another object of the present invention to provide an improved method of performing a discectomy, a fusion, and an internal stabilization of the spine, which provides for an improved system of surgical instrumentation to facilitate the performance of the combined discectomy, fusion, and internal spinal stabilization.

It is another object of the present invention to provide an improved method of performing a discectomy, a fusion, and an internal stabilization of the spine.

It is an object of the present invention to provide instrumentation and a method of spinal interbody arthrodesis that is faster, safer, and more efficacious than prior methods, and can effectively be performed in the cervical, thoracic, and lumbar spine anteriorly, as well as in the lower lumbar spine posteriorly.

It is a further object of the present invention to provide a means for inserting a spinal implant between adjacent vertebrae while maintaining their optimal spacing, positioning, and alignment.

It is another object of the present invention to provide instrumentation for restoring and maintaining the normal angular relationship of adjacent vertebrae of the spine, be it lordosis, kyphosis, and/or the segmental correction of scoliosis, achieving a total nuclear discectomy, an interbody spinal fusion, and a rigid internal fixation of a segment of the spine as a single integrated surgical procedure for spinal fusion.

It is another object of the present invention to provide for an instrument that is a combination Outer Sleeve and Distractor for inserting a spinal implant between adjacent vertebrae while effecting and maintaining the optimal, spacing, positioning, and alignment of the vertebrae.

It is another object of the present invention to provide a Distractor capable of restoring and maintaining the normal angular relationship between adjacent vertebrae that may be inserted within the disc space between two adjacent vertebrae.

It is yet another object of the present invention to provide instrumentation and a method of spinal interbody arthrodesis that is faster, safer, and more efficacious than prior methods, and can effectively be performed in the cervical, thoracic, and lumbar spine.

These and other objects of the present invention will be apparent from review of the following specification and the accompanying drawings.

BRIEF DESCRIPTION OF THE DRAWINGS

FIG. 1 is a side elevational view of the Long Distractor, of the present invention inserted into the intervertebral space.

FIG. 2 is a side elevational view of a Convertible Distractor assembly in relation to the spine.

FIG. 3 is a perspective view of a high retention Short Distractor of FIG. 2.

FIG. 3A is a side elevational view of the high retention Short Distractor of FIG. 3.

FIG. 3B is a side elevational view of an alternative Short Distractor with circumferential forward facing ratchetings.

FIG. 3C is a top view of the alternative Short Distractor of FIG. 3B.

FIG. 3D is a perspective view of an alternative embodiment of a Short Distractor.

FIG. 3E is a top view of the alternative distractor of FIG. 3D.

FIG. 3F is a side elevational view of a further alternative rectangularized Short Distractor with knurled surfaces.

FIG. 4 is a perspective view of a spinal segment (two vertebrae and an interposed disc) with a Short Distractor in place, with a portion of the upper vertebrae and disc cut away to show the Short Distractor on one side of the spine and the Long Distractor about to be placed contralaterally.

FIG. 5 is a side elevational view of the Outer Sleeve in place over the Long Distractor, and about to receive the Driver Cap in preparation for being seated.

FIG. 6 is a side elevational view of the Long Distractor, Outer Sleeve, and Driver Cap following the proper seating of the Outer Sleeve into the two adjacent vertebrae.

FIG. 7A is a side elevational view of the cervical Outer Sleeve being placed over a Long Distractor which is in place within the disc space anteriorly.

FIG. 7B is a bottom plan view of the single Outer Sleeve of FIG. 7A.

FIG. 7C is a bottom plan view of a Dual Outer Sleeve.

FIG. 7D is a side elevational view of the proximal portion of FIG. 7C.

FIG. 7E is a bottom plan view of a Dual Driver Cap for driving two distractors.

FIG. 7F is a side sectional view showing the Dual Outer Sleeve of FIGS. 7C and 7D, Distractors and Dual Cap of FIG. 7E seated in relation to the vertebrae.

FIG. 8 is a side elevational view of the Outer Sleeve of FIG. 7A centered on the Long Distractor and fully seated on the anterior aspect of the cervical spine.

FIG. 9 is a perspective side view of the Distractor Puller.

FIG. 10 is a side elevational view of the Proximal Puller engaging the extraction ring of the Long Distractor shown in hidden line over the end of the Outer Sleeve.

FIG. 10A is a partial side elevational view of the Proximal Puller coupled to the Long Distractor just prior to its extraction.

FIG. 10B is a posterior view of the proximal Outer Sleeve and a Short Distractor shown in hidden line in place in regard to the vertebrae, disc and nerves.

FIG. 11A is a side sectional view of the Drill and Inner Sleeve within the Outer Sleeve drilling across the intervertebral space and cutting partially cylindrical arcs from the adjacent vertebrae.

FIG. 11B is a side elevational view of preparation of the intervertebral space by the alternative "Trepine Method" showing the Distractor, Trepine, Inner Sleeve, and Outer Sleeve in place.

FIG. 11C is a side elevational view as in FIG. 11A, but showing the use of an alternative drilling conformation wherein the extended proximal portion of the Drill is both distracting and self-centering.

FIG. 11D is a side perspective view of an instrument for removing arcs of bone from vertebrae following drilling.

FIG. 12 is a side perspective view of the surgical Tap.

FIG. 13 is a partial sectional side view of the Outer Sleeve and the surgical Tap fully threaded within the interspace.

13

FIG. 14A is a side elevational view of the bone harvesting Trephine and motor adapter.

FIG. 14B is a perspective side view of the implant Bone Loading Device.

FIG. 14C is a perspective side view of the Corkscrew bone freeing and extracting instrument.

FIG. 15 is a perspective side view of the Bone Loading Device in operation.

FIG. 16 is a partial sectional perspective side view of the Implant Driver about to engage the spinal implant.

FIG. 17 is a partial sectional side elevational view of the spinal implant being fully seated within the intervertebral space by means of the Driver apparatus in place within the Outer Sleeve.

FIG. 18 is a side elevational view of the lumbar spine showing the end result of the spinal implant implantation via the posterior route.

FIG. 19 is a side elevational view of a Posterior Long Lordotic Distractor inserted from the posterior aspect of the spine between adjacent vertebrae to restore and maintain lordosis of the spine.

FIG. 20 is a side elevational view of the Posterior Long Lordotic Distractor shown partially in hidden line with the Outer Sleeve and Cap, inserted between adjacent vertebrae to restore and maintain lordosis of the spine with the Outer Sleeve engaging the vertebrae and properly seated over the Posterior Long Lordotic Distractor.

FIG. 21 is a side elevational view partially in cross section of a spinal implant being inserted through an Outer Sleeve between two adjacent vertebrae of the spine in which lordosis has been restored and maintained and in which a portion of bone has been removed from each vertebrae for receiving the spinal fusion implant.

FIG. 22 is a side elevational view of a spinal implant inserted between two adjacent vertebrae of the spine in which lordosis has been restored.

FIG. 23 is a side elevational view of a Posterior Short Lordotic Distractor of the present invention.

FIG. 24 is a top plan view along lines 24—24 of FIG. 23 of the Posterior Short Lordotic Distractor of the present invention.

FIG. 25 is a side elevational view of an Anterior Long Lordotic Distractor of the present invention shown inserted between two adjacent vertebrae from the anterior aspect of the spine to restore and maintain lordosis.

FIG. 26 is a perspective side view of the Extended Outer Sleeve of the present invention having extended members for insertion within the disc space and engaging means for engaging adjacent vertebrae of the spine.

FIG. 27 is a side elevational view of the Extended Outer Sleeve of FIG. 26 shown inserted between adjacent vertebrae of the spine.

FIG. 28 is an alternative embodiment of the Extended Outer Sleeve of FIG. 26 shown without an engaging means for engaging adjacent vertebrae.

FIG. 29 is a perspective side view of a Posterior Lordotic Extended Outer Sleeve of the present invention having uneven extended members for restoring and maintaining lordosis of the spine and engagement means for engaging the vertebrae.

FIG. 30 is a side elevational view of a portion of the Posterior Lordotic Extended Outer Sleeve of FIG. 29 inserted between adjacent vertebrae from the posterior aspect of the spine to restore and maintain lordosis.

14

FIG. 31 is a perspective side view of an Anterior Lordotic Extended Outer Sleeve of the present invention having extended members for restoring and maintaining lordosis of the spine from the anterior aspect of the spine.

FIG. 32 is a side elevational side view of an alternative embodiment of the Anterior Lordotic Extended Outer Sleeve of FIG. 31 absent the engagement means for engaging the vertebrae, inserted between adjacent vertebrae from the anterior aspect of the spine.

FIG. 33 is a perspective side view of a Dual Extended Outer Sleeve having an uneven extended portion which decreases in height in the direction of insertion.

FIG. 34 is bottom plan view of the foot plate of the Dual Extended Outer Sleeve of FIG. 33.

FIG. 35 is a perspective side view of a Dual Extended Outer Sleeve having uneven extended portions which decrease in height in the direction insertion.

FIG. 36 is an elevational front view of the apparatus of the present invention for use in installing interbody spinal implants having one or more flat sides, shown placed over two Long Distractors with the prongs inserted into the vertebrae.

FIG. 37 is a bottom plan view of the foot plate of the apparatus of the present invention for use in installing the interbody spinal implants having one or more flat sides.

FIG. 38 is a cross sectional view along line 38—38 of FIG. 36 illustrating the apparatus used for inserting interbody spinal implants having one or more flat sides.

FIG. 39 is a partial fragmentary view of the apparatus of the present invention for use in installing interbody spinal implants having one or more flat sides, shown with the prongs being partially inserted into the vertebrae.

FIG. 40 illustrates a step of the method of drilling a hole into a vertebrae with the apparatus of the present invention for use in installing interbody spinal implants having one or more flat sides, shown engaged to two adjacent vertebrae of a spinal column.

FIG. 41 illustrates a step of the method of the present invention for inserting a second interbody spinal implant having one or more flat sides into the interspace between two adjacent vertebrae with one implant shown already installed in place.

DETAILED DESCRIPTION OF THE DRAWINGS AND DETAILED DESCRIPTION OF METHOD OF INSERTION

The following discussion will be in regard to application in the lumbar spine via the posterior approach. In its simplest form, the method of the present invention involves the following steps. The patient is placed on a spinal surgery frame, which allows for the distraction and alignment of the disc space to be fused. A bilateral posterior exposure of the interspace, with or without partial discectomy is then performed. Utilizing distractors the disc space is distracted, and a hollow Outer Sleeve is fitted over one of the distractors. The end of the Outer Sleeve has engagement means, such as teeth, for engaging the two adjacent vertebrae. The Outer Sleeve is driven into the vertebrae and the distractor is then removed. A hollow Inner Sleeve is then inserted into the Outer Sleeve and a stopped Drill is utilized to prepare the opposed vertebral surfaces. The Drill and the Inner Sleeve are removed as a single unit. The space is tapped if so required. The prepared spinal implant is then inserted via the Outer Sleeve utilizing a stopped inserter. The instruments are then removed and the procedure repeated on the contralateral side of the spine.

DETAILED DESCRIPTION OF THE
PREFERRED EMBODIMENT

Step 1a. Prior to surgery, translucent implant templates appropriately adjusted for scale are superimposed on AP, lateral, and axial images of the interspace to be fused, for the purpose of selecting the optimal implant size and to determine the desired distraction.

Step 1b. The patient is preferably placed onto a spinal surgery frame capable of inducing both distraction and vertebral alignment.

Step 2. In the preferred embodiment, a standard bilateral (partial) discectomy is performed and any posterior lipping of the vertebral bodies adjacent the interspace is removed. Alternatively, no disc material need be removed. In the preferred embodiment, the interspace is exposed by performing bilateral paired semihemilaminotomies and resecting the inner aspects of the facet joints adjacent the spinal canal while preserving the supra and interspinous ligaments.

Step 3. Beginning on the first side, the dural sac and traversing nerve root at that level are retracted medially and a Long Distractor then inserted and impacted flush to the posterior vertebral bodies adjacent that interspace. Long Distractors with working ends of increasing diameter are then sequentially inserted until the optimal distraction is obtained. This optimal distraction not only restores the normal height of the interspace, but further achieves a balance wherein the tendency for the space to collapse is resisted, which in urging the vertebral bodies apart is being equally resisted by the powerful soft tissue structures about the spinal segment including the outer casing of the disc (the annulus fibrosus), various ligaments, capsular structures, as well as the muscles and other soft tissue structures. This balanced distraction not only provides for the spatial restoration of the height of the interspace, but for considerable stability as the space now resists further distraction or collapse.

In the preferred embodiment, as the desired distraction is approached, the use of the solid bodied Long Distractors is terminated and a disassemblable Convertible Distractor is placed with tactile and/or radiographic confirmation of ideal distraction. The Convertible Distractor is then disassembled such that the Short Distractor portion is left in place and the ultra-low profile head portion being positioned adjacent to the canal floor and safely away from the neural structures. To insure that the Short Distractor remains in place until its removal is desired, various embodiments of the Short Distractor are available with varying degrees of resistance to dislodgment. In the preferred embodiment of the procedure, attention is then directed to the contralateral side of the spine.

Step 4. On the contralateral side of the same interspace the Long Distractor having at its working end the diameter matching the Short Distractor already in place, is then inserted. If however, due to an asymmetrical collapse of the interspace if it is then determined that greater distraction is required on the second side to achieve the optimal stability, then the appropriate Short Distractor would be placed on the second side. Then the Short Distractor would be removed from the first side and replaced with a larger Long Distractor so as to bring the interspace into balance.

In an alternative embodiment, the entire procedure is performed on the one side of the spine utilizing only the Long Distractor prior to repeating the procedure on the contralateral side of the spine. While this method can be performed in accordance with the remaining steps as described in the preferred embodiment, when utilized it is

best performed using a Trephine which allows the Long Distractor to remain in place, thereby allowing for interspace distraction otherwise provided in the first method by the Short Distractor. This alternative method then requires the use of a Trephine over the Long Distractor in lieu of a reamer and is therefore called the "Trephine Method", which will be discussed in detail later.

Step 5. With the Short Distractor in place on the first side of the spine, and the matching Long Distractor in place on the second side of the spine, and with the dural sac and traversing nerve root safely retracted, the Outer Sleeve is placed over the Long Distractor and firmly impacted to its optimal depth using the Impaction Cap and a mallet. The Long Distractor is then removed.

Step 6. An Inner Sleeve is then placed within the Outer Sleeve, and the interspace is then prepared on that side by utilizing a boring means such as, but not limited to, a Drill, Endmill, Reamer, or Trephine to drill, ream, or cut out the bone to be removed to either side, as well as any remaining interposed discal material. In the preferred method, utilizing a specially designed Endmill-Drill, it and the Inner Sleeve are removed as a unit, safely carrying away the bone and disc debris trapped within them from the spinal canal.

Step 7. If required, a thread forming Tap with penetration limiting means to control the depth of insertion, is then inserted through the Outer Sleeve.

Step 8. The prepared implant is then inserted utilizing the specialized Driver unit. It should be noted that the implant may be coated with, and/or made of, and/or loaded with substances consistent with bony fusion which may promote bone growth and/or fusion. However, in the preferred embodiment, the implant is treated with bone promoting and inducing substances, but is loaded with materials suitable for participating in a fusion.

While substances both natural and artificial are covered by the present invention, the preferred embodiment is in regard to the use of the patient's own bone by the following method. A hollow Trephine is utilized to harvest a core of bone from the posterior superior aspect of the iliac crest adjacent the sacroiliac joint. This core of bone is at its outside diameter, slightly smaller than the inside diameter of the spinal implant to be loaded, but longer than the spinal implant. Utilizing an instrument designed for that purpose, the core of bone is then injected from within the Trephine into the central cavity of the implant causing a superabundance of the bone material within the implant such that the bone material tends to press out through the openings communicating with the outside surface of the implant.

Step 9. Using the Driver Extractor instrument, the prepared implant is threaded into the prepared interspace. The instrumentation is removed from that side of the spine and attention is then redirected to the first side of the spine. A small retractor is utilized to move the dural sac and traversing nerve root medially and to protect them and allowing the direct visualization of the retained Short Distractor unit. Without removing the Short Distractor, it is reassembled to its shaft portion, essentially reconstituting itself into a Long Distractor. With the inserted implant now acting as the distractor on the opposite side, the Long Distractor is utilized to guide the Outer Sleeve down where it is impacted as described in Step 5.

Steps 6 & 7 are then repeated, completing the procedure at that level. The wound is then irrigated and closed in the routine manner.

Representative Example of the Preferred Method

Through preoperative templating of the patient's anterior posterior, lateral, and axially imaged MRI scan in conjunc-

tion with translucent overlays of the various sized implants, the correct implant diameter and length are accurately assessed, as well as the correct amount of distraction needed to restore the interspace to its pre-morbid height. The patient is then properly positioned and a bilateral partial discectomy performed via paired semihemilaminotomies.

For the purpose of this example, it will be assumed that by preoperative assessment it was determined that the correct implant would have an external diameter of 18 mm and be 26 mm long. Further, the distraction necessary to restore the height of the interspace would be approximately 10 mm. The dural sac and traversing nerve root would then be retracted medially and protected, while a Long Distractor having an outside diameter at the barrel portion corresponding to the implant to be inserted, that is 18 mm, and having a diameter at the working end of perhaps 8 mm, would be inserted. This then being found to be slightly smaller than optimal by direct observation, a Convertible Distractor having in its barrel portion an 18 mm outside diameter, but having in its working portion a 10 mm diameter would then be inserted. Direct observation and/or x-ray then confirming the ideal distraction, the Convertible Distractor would then be disassembled, the barrel and head portion removed, and the Short Distractor portion left deeply embedded and with its flanged head flat against the canal floor and deep to the neural structures. It would then be safe to allow the dural sac and nerve root to return to their normal positions, which would be superficial to the flanged portion of the Short Distractor.

Attention would then be directed to the contralateral side. The dural sac and nerve root would then be retracted medially on this second side, and a Long Distractor with an 18 mm diameter barrel portion and a 10 mm working portion would then be inserted into the interspace and driven flush to the bone if necessary, such impaction imploding any osteophytes not already removed, and assuring that the shoulder portion of the barrel comes to lie flat against the posterior aspects of the adjacent bodies. With the dural sac and nerve root still safely retracted, the Outer Sleeve would then be placed over the Long Distractor and utilizing the Driver Cap and a mallet, seated to the optimal depth.

In the preferred embodiment, the Long Distractor is then removed and the Inner Sleeve is inserted into the Outer Sleeve. Since the purpose of the Inner Sleeve is to support the drill and allow for the increased size of the implant over the size of the drill, thus making it possible for the insertion of the implant to occur through the Outer Sleeve, the Inner Sleeve therefore measures 18 mm in its outside diameter, and 16.6 mm in its inside diameter. This allows it to fit within the Outer Sleeve, the diameter of which is 18.1 mm and to admit the drill bit which is 16.5 mm in diameter.

Following the drilling procedure, the Drill and Inner Sleeve are removed as a single unit with the trapped interposed cartilaginous and bony debris. The depth of drill penetration is preset and limited by the fixed rigid column of the Outer Sleeve. In this example, the space will be prepared to a depth of 28 mm in anticipation of countersinking a 26 mm long implant at least 2 mm. If a Tap were to be utilized, it would be inserted at this time and be appropriate to the minor and major diameters of the implant to be inserted and as with the Drill, controlled for its depth of penetration. The spinal implant would then be prepared for implantation by utilizing a Trepine to harvest a core of posterior iliac bone greater than 30 mm, long and approximately 14.5 mm in diameter.

Using the Bone Loading Device, this core of bone would be forcefully injected into the internal chamber of the spinal

implant which would then be capped. Cap end forward, the fully loaded implant would then be attached to the Insertion Driver, down the Outer Sleeve and screwed into place with the depth of penetration limited by the Insertion Driver. The Insertion Driver is then unscrewed from the implant and removed from the Outer Sleeve. With the dural sac and nerve root retracted and protected, the Outer Sleeve would then be removed. This would complete the fusion procedure on that side, and then as described, the procedure would be repeated on the other (first) side of the same interspace.

Alternative Methods

An alternative and extremely useful method is the "Trepine Method". Its advantages include that it may be used in conjunction with the preferred embodiment substituting the use of a hollow, tubular cutter, called a Trepine for the use of the Drill in Step 5 of the preferred embodiment. Additionally, it may be utilized so as to obviate the need for the placement of the Short Distractor and to allow the procedure to be effectively performed from start to finish on one side prior to initiating the procedure on the opposite side, and while nevertheless maintaining distraction at the site of the bone removal.

The following is a description of the "Trepine Method". Having completed the exposure of the interspace on at least one side, the dural sac and nerve root are retracted. A Long Distractor differing from the Long Solid Bodied Distractor of the preferred embodiment only in that the barrel portion is of a precisely lesser diameter than the spinal implant. As in the preferred embodiment, the Outer Sleeve has an inner diameter only slightly greater than the implant to be inserted. Therefore, at this time, a first Inner Sleeve is inserted into the Outer Sleeve to make up the difference between the outside diameter of the Long Distractor and the inside diameter of the Outer Sleeve. With the Outer Sleeve and first Inner Sleeve thus assembled, they are placed over the Long Distractor and the Outer Sleeve is optimally seated using the Impaction Cap. The Cap and first Inner Sleeve are removed, but the Long Distractor and Outer Sleeve are left in place.

With the Long Distractor maintaining optimal distraction and with the Outer Sleeve locking the vertebrae together so as to resist any movement of the vertebrae, a hollow, tubular cutter known as a Trepine is then inserted over the Long Distractor and its barrel portion and within the Outer Sleeve. The Trepine, which is stopped out to the appropriate depth, can then be utilized to cut equal arcs of bone from the opposed vertebral endplates.

Alternatively, a second Inner Sleeve may be placed within the Outer Sleeve prior to placing the Trepine over the Long Distractor and within that second sleeve. This second Inner Sleeve would be just greater in its internal diameter than the Long Distractor and just smaller in its outside diameter than the inner diameter of the Outer Sleeve. While it would provide enhanced stability to the Trepine, provision would then need to be made in the way of large flutes passing longitudinally or obliquely along the outer surface of the Distractor to its barrel portion to accommodate the bony and cartilaginous debris generated during the cutting procedure.

Following the use of the Trepine to the appropriate depth by either of these methods, the Trepine, the Long Distractor, and the second Inner Sleeve, if utilized, are all removed. Since the Trepine cuts two arcs of bone but does not ream them out, a shafted instrument with a perpendicular cutting portion at its working end is then inserted parallel to the disc space and then rotated through an arc of motion cutting the bases of the two longitudinally cut arcs, thus

freeing them for removal through the Outer Sleeve. The space may then be tapped if required, and the implant is inserted as per the preferred method. As already mentioned, the "Trephine Method" can be used with or without the use of the Short Distractor on the contralateral side.

Applications of Method in other Areas of the Spine

The following method is the preferred embodiment for performing anterior interbody fusion in the thoracic and lumbar spines. It is also appropriate in the cervical spine when the width of the spine anteriorly is sufficient so that it is possible to place two implants side by side and such that each intrudes at least several millimeters into the substance of the opposed vertebrae and for the length of the implants.

The interspace to be fused is adequately exposed and the soft tissues and vital structures retracted and protected to either side. Visualization of the broad width of the interspace anteriorly is made possible by the absence of the neurological structures in relation to this aspect of the spine. The center line of the anterior aspect of the interspace is noted and marked. The disc is removed using first a knife and then curettes and rongeurs as needed. Alternatively, the disc may be left intact to be removed during the drilling stage of the procedure. However, as per the preferred embodiment of the procedure, having removed the great mass of the nucleus and the greater portion of the annulus anteriorly, Long Distractors with progressively increasing diameters to their working ends are inserted into the interspace at a point midway between the central marking line and the lateral extent of the anterior aspect of the spine as visualized.

The Dual Outer Sleeve with its common Foot Plate and Retention Prongs is then inserted over either a singly placed Long Distractor and then the second Distractor placed, or is placed over both Distractors if already placed. The Dual Outer Sleeve is then seated firmly against the anterior aspect of the spine. Any spurs which would interfere with the flush seating of the Foot Plate to the anterior aspect of the spine should be removed prior to inserting the Long Distractors. Once the Outer Sleeve has been optimally seated, one of the Long Distractors is removed and in its place is inserted an Inner Sleeve and drill bit. The drill bit has as its outside diameter the minor diameter of the implant to be inserted. The Inner Sleeve is essentially equal in thickness to the difference between the minor and major diameters of the threaded implant.

A Stopped Drill is then utilized to prepare the opposed vertebral surfaces and to remove any remaining disc material interposed. If required, a Stopped Tap may be inserted through the Outer Sleeve and into the interspace to create a thread form. The properly prepared implant is then affixed to the Insertion Driver and passed through the Outer Sleeve down into the interspace and inserted until its depth of penetration is limited by the stop on the Insertion Driver. With the implant itself now in a position to act as a distractor, the Long Distractor is then removed from the contralateral side and the procedure repeated. When both implants are firmly in place, the outer sleeve may then be removed. The amount of countersinking of the implants may then be adjusted under direct vision.

Detailed Description of the Preferred Embodiment Method and Instrumentation

In the preferred embodiment, the disc (D) between adjacent vertebrae (V) is approached via bilateral paired semi-hemilaminotomies of the adjacent vertebrae. In the preferred embodiment the supraspinous ligament, the interspinous

ligament, the spinous process, portions of the lamina, and most of the facet joints are preserved. However, while less desirable, these structures may be removed.

In the preferred method, a bilateral partial nuclear discectomy is then performed through bilateral openings created through the posterior aspect of the annulus fibrosus. While considered less desirable, disc excision can be delayed and performed simultaneously with the vertebral bone resection during the drilling procedure. Starting on the first side, a dural nerve root retractor is placed such that the dural sac and lower nerve root are retracted medially allowing exposure to one side of a portion of two adjacent vertebral bodies and the interposed disc posteriorly.

Referring now to FIG. 1, preferably after removing some portion of nuclear disc material, a Long Distractor **100** is inserted under direct vision into the intervertebral space. The disc penetrating portion **102** is essentially cylindrical with a bullet-shaped front end **103** and a shoulder portion **104** where the penetrating portion **102** extends from barrel **106**. The penetrating portion **102** urges the vertebral bodies apart, facilitating the introduction of the instruments. Long Distractors with sequentially increasing diameter penetrating portions **102** are then introduced. As the optimal diameter of penetrating portion **102** is achieved, the Vertebrae V to either side are forced into full congruence and thus become parallel, not only to the penetrating portion **102**, but to each other. At this time, any remaining excrescences of bone of the posterior vertebral bodies adjacent the posterior disc which have not already been removed are flattened flush to the vertebral body by the forced impaction, such as by hitting with a hammer flat surface **109** of crown **110**, driving the shoulder **104** against the lipped portions of vertebrae V. Because of the forced opposition of the vertebral endplates to portion **102** with optimal distraction, Long Distractor **100** will then come to lie absolutely perpendicular to the plane of the posterior bodies and absolutely parallel to the vertebral endplates, allowing optimal alignment for the procedure to be performed.

Penetrating portion **102** is available in various diameters, but all are of a constant length, which is less than the known depth of the interspace. This combined with the circumferential shoulder **104**, which is too large to fit within the interspace, protects against the danger of overpenetration. Barrel **106** is of the same diameter as the external diameter of the device to be implanted. A recessed portion **108** below the crown **110** allows for the Long Distractor **100** to be engaged by an extractor unit shown in FIG. 9.

Referring to FIG. 2, in the preferred embodiment, a Convertible Long Distractor **113** is used on the first side of the spine. The Convertible Long Distractor **113** has a barrel portion **152** separable from the Short Distractor portion **120**. While the initial distraction may be performed with a solid Long Distractor, as the optimal distraction is approached the appropriate Convertible Long Distractor is utilized. The Convertible Long Distractor **113** consists of a Short Distractor portion **120** and a barrel **152** having a rectangular projection **134** at one end. The Short Distractor **120** has an increased diameter head **128**, a rectangular slot **118** and an internal threaded opening **114**. The barrel **152** is hollow and has an internal shaft **111** terminating in a large diameter hexagonal crown **115** at one end and a reduced diameter portion **112**. The crown **115** has a detent portion **117** in its flat surface. The other end of the shaft **111** has a threaded working end screw **116** that corresponds to threaded opening **114**. The shaft **111** is prevented from removal from the barrel **152** by set pin **119** passing through the wall of barrel **152** in a convenient manner. The Short Distractor portion **120** is

removably attached to the barrel portion **152** via the mating of female rectangular slot **118** and the male mating member **134**. The mating held together by utilizing knob **135** to drive the crown **110** connected to interior shaft **111** having a threaded working end screw **116** that threads into the female rectangular slot **118** of the Short Distractor portion **120**.

Knob **135** has an open socket **138** for fitting around crown **115** and engages the reduced diameter hexagonal portion **112** so as to permit the rotation of shaft **111** and threaded working end screw **116**. A detent ball **150** in the inside of the socket **138** engages detent **117** in the crown **115**, holding them together.

Referring, to FIGS. **2**, **3**, and **3A–3F** the Short Distractor portion **120** are designed to provide for high stability when temporarily situated so as to resist inadvertent migration while the surgeon is working on the second side. To that end, the embodiment of the Short Distractor **120** shown in FIGS. **3** and **3A**, has a pair of sharp pegs **126**, to embed into the opposing vertebral bodies and forward facing ratchetings **124**, that further resist backward movement. FIGS. **3B** and **3C**, which show the preferred embodiment, are side and top views of an alternative embodiment of the distractor portion such that the distractor portion to be interposed between the vertebrae is essentially cylindrical, but with circumferential forward facing ratchetings **124**.

Referring to FIGS. **3D** and **3E**, a further alternative embodiment of the Short Distractor is shown. This is a more rectangularized design, with forward facing ratchetings, without the sharp prongs **126** of FIG. **3**. FIG. **3F** is a side view of a further embodiment of the Short Distractor **120** shown with knurling, to increase the interference with the bone surface so as to add stability to the unit and to resist dislodgment. To this end, it is apparent that the working ends of both the Long and Short Distractors can have a variety of configurations consistent with their purpose, and that surface irregularities as well as the shape of the ends themselves, with or without prongs **126**, may be utilized to make the Short Distractor **120** more resistant to migration.

Once the ideal distraction has been achieved on the first side of the spine, the Convertible Distractor is dissociated, leaving Short Distractor **120** in place with its rounded external end **128**, safely on the canal floor and deep to the dural sac and nerve root.

Referring to FIG. **4**, the surgeon then moves to the other side of the spine at the same disc (D) level, and retracts the dural sac and nerve root medially, exposing the disc on that side. Long Distractors **100** are then sequentially inserted into the disc space until the diameter of the distractor on the second side is at least as big as that on the first side. If because of some asymmetry of the interspace, a larger diameter distractor is required on the second side to achieve the ideal distraction as compared to the first side, then the second side is fitted with a Short Distractor of the larger diameter, and the surgeon would then return back to the first side. In that event, the first side Short Distractor would then be removed and the Long Distractor **100** corresponding to the increased diameter of the already placed Short Distractor **120** would then be inserted. In either event, the operation is continued by working on the one side where the Long Distractor is in place. In this regard, it should be noted, that by the use of such a device as the Michelson Orthopedic Support Frame, U.S. Pat. No. 4,481,943 issued on Nov. 13, 1984, it may be possible to obtain adequate distraction preoperatively such that the surgeon is either disinclined to use a distractor, or to simply place the correct Long Distractor on the first side and then proceed with the surgical

procedure on that side before moving to the opposite side. These variations are within the scope of the present invention.

Referring to FIG. **5**, the Long Distractor **100** now serves as both a centering post and an alignment rod for the hollow Outer Sleeve **140** which is fitted over the Long Distractor **100**, shown by phantom lines **101**. The front end of the Outer Sleeve **140** is metal and has sharp teeth **142** that are capable of penetrating into and holding fast the two adjacent vertebrae (V). Interrupting the circumferential sharp teeth **142** are flat, planar areas **152** which serve to resist the further insertion of the sharp teeth **142** into the vertebral bodies. The sharp teeth **142** of the Outer Sleeve **140** are a continuation of the tubular shaft **144**, which in turn is connected to circumferentially enlarged tubular back end **146** having a knurled outer surface **148** for easier manipulation. An alternative embodiment of an Outer Sleeve incorporates an expansible key hole and slot configuration **154** to either side of shaft **144** along the mid-plane of the interspace and parallel to it such that the end **142** resists the collapse of the vertebrae (V) to either side of the disc (D), but may nevertheless allow for their further distraction, in the event the only diameter or the root diameter of the implant is larger than the hole drilled.

A Driver Cap **160** in the form of an impaction cap has at its far end a flat, closed-back surface **162** and at its other end a broad, circular opening. The Driver Cap **160** fits over both the Outer Sleeve **140** and the Long Distractor **100**. As the Driver Cap **160** is seated, interior surface **170** circumferentially engages portion **146** of the Outer Sleeve until the back end **172** engages the internal shoulder **164**. As mallet blows are applied to surface **162**, that force is transmitted via the internal shoulder **164** to the Outer Sleeve **140** via its far end **172**, seating sharp teeth **142** into the vertebral bodies adjacent the disc space D and to the depth of the teeth sharp **142** to the flat portions **152**. As the Outer Sleeve **140** is advanced forward, crown portion **110** of the Long Distractor is allowed to protrude within the Driver Cap **160** unobstructed until it contacts the interior flat surface **168**.

Referring to FIG. **6**, once crown **110** comes into contact with the flat interior surface **168**, then further taps of the mallet will not advance the Outer Sleeve, any further motion being resisted by the flat shoulder portion **104** of the Long Distractor abutting the hard surfaces of the posterior vertebral bodies. In this way, the Outer Sleeve **140** is safely and assuredly inserted to its optimal depth and rigidly securing the two opposed vertebrae as shown in FIG. **6**.

Referring to FIG. **9**, the Cap **160** is then removed and the Distractor Puller **200** of FIG. **9** utilized to remove the Long Distractor **100** from the spine leaving the Outer Sleeve **140** in place. The Distractor Puller **200** has front portion **202**, a mid portion **204**, and a back handle portion **206**. At the front portion **202** of the Distractor Puller **200**, a socket **208** is connected to one end of shaft **210** which at its far end is connected to back handle portion **206**. The socket **208** has defined within it a cavity **212** that is open at its front end and funnelized on the interior aspect of its sides. The cavity **212** is constructed so that the head of the Distractor Puller **200** and the partially circumferential flange **218** engages the circumferential recess **108** of the Distractor **100**. The entrance to cavity **212** is slightly funnelized, and the leading edges of flange **218** slightly rounded to facilitate the engagement of recess **108** and head **110** of Distractor **100**, which is further facilitated in that the Driver Cap **160** leaves portion **108** of Distractor **100** precisely flush with the back surface **172** of the Outer Sleeve **140**. This provides a large, flat surface **172** to precisely guide surface **230** of socket **208**, and

23

open portion **212** around head **110** while flange **218** engages recess **108**. The springloaded detent ball **228** engages hemispherical depression **112** in the crown **110**, shown in FIG. 2. This springloaded detent **228** in engagement with complimentary indent **218** protects against the inadvertent disassociation of the Long Distractor from the Puller **200** after the Distractor has been removed from within the Outer Sleeve **140** and prior to its removal from the wound. Once out of the body, the two instruments are easily disassociated by freeing the crown portion **110** from cavity **212** by a manual force applied perpendicular to their relative long axes at this location.

A cylindrical and free removable weight **216** is fitted around shaft **210** between the front portion **202** and the rear handle portion **206**. Gently, but repeatedly sliding the weight **216** along shaft **210** and driven rearwardly against flat surface **228**, transmits a rearward vector to proximal end **202** and thereby to the Long Distractor **100** to which it is engaged.

Paired extended handle **224** and **226**, allow the surgeon to resist any excessive rearward motion as the instrument is used to liberate the Long Distractor **100**. Paired handles **224** and **226** are also useful in that they allow a rotational directing of portion **208**, via the shaft **210**. This allows the surgeon to control and manipulate rotationally the orientation of the opening of cavity **212** to facilitate its application, to the head **110** of the distractor **100**.

The Distractor Puller **200** is a significant improvement over the alternatives of striking a remover instrument with an independent hammer over the exposed surgical wound, or manually extracting the distractor by forcefully pulling. The use of a free hammer over the open wound is dangerous because the neural structures can be impacted on the back swing which is made even more likely by the effects of gravity on the mallet head. Manual extraction by pulling is dangerous because of the significant interference fit of portion **102** within the spine such that significant force would be required to remove the Distractor **100**, and if force were not coaxial then the Outer Sleeve might be dislodged or misaligned. Further, once the flat portion **102** became free of the interspace, all resistance to withdrawal would be lost and in the face of the considerable force necessary to free it, the Distractor **100** might easily become projectile imparting injury to the patient and/or the surgeon.

Once the Long Distractor **100** has been fully removed from the Outer Sleeve **140**, the toothed end **142** of the Outer Sleeve **140**, working in conjunction with the Short Distractor **120** on the contralateral side rigidly maintains the relative position of the adjacent vertebrae V. Further, since the remainder of the procedure on that side of the spine occurs entirely through the protective Outer Sleeve **140**, and as the nerves and dural sac are external to that Outer Sleeve and superficial to the toothed end **142** of the Outer Sleeve **140**, which is firmly embedded into the adjacent vertebrae V, the Outer Sleeve **140** serves to insure the safety of these delicate neural structures. Further, since the Outer Sleeve **140** is of a fixed length and rigid, its flat rearward surface **172** may be used as a stop to the advancement of all instruments placed through the Outer Sleeve **140**, thus protecting against accidental overpenetration. Further, the Outer Sleeve **140** assures that the further procedure to be performed will occur coaxial to the disc space D and further, be symmetrical in regard to each of the opposed vertebral surfaces.

Referring to FIG. 10B, a posterior view of the spine at this stage of the procedure, is shown with a Short Distractor **120**

24

in place on one side of the spine and the bottom portion of Outer Sleeve **140** in place on the opposite side of the spine.

Referring to FIG. 11A, an Inner Sleeve **242** is inserted from the rear within the Outer Sleeve **140**. This Inner Sleeve has a collar portion **244** of a known thickness which seats against the top edge surface **172** of Outer Sleeve **140**. The cylindrical barrel portion of Inner Sleeve **242** comes to approximate the posterior aspect of the vertebral bodies interior the Outer Sleeve when fully seated. A Drill **240**, having a known selected length is then introduced through the rearward aperture of the Inner Sleeve **242** and utilized to ream out the arcs of bone which it engages from the opposed vertebral endplates as well as any discal material within its path down to its predetermined and limited depth. The Drill **240**, has a narrow engagement portion **246**, which allows it to be affixed to a drill mechanism which may be either a manual or a power unit. A circumferential collar **248** of an increased diameter serves to limit the depth of penetration of the drill **240** and may be fixed, or lockably adjustable.

Not shown here, but well known to those skilled in the art, are various mechanisms to lockably adjust such instruments as is drills. Such mechanisms include, but are not limited to, the use of collets, threaded shafts with lock nuts, and flanges engaging grooves forced therein by either a cap pulled over the flanges or screwed down upon them.

In the preferred embodiment, the forward cutting edge **252** of Drill **240** is a modification of a large fluted drill design such that the end resembles an end cutting mill which may contain any workable number of cutting surfaces, but preferably four or more, and such cutting surfaces being relatively shallow such that the advancement of the instrument occurs more slowly. The outside diameter of the Drill **240** corresponds to the minor diameter of the threaded spinal implant. The Inner Sleeve **242** has an inner diameter slightly greater than that dimension and its outer diameter is slightly smaller than the inside diameter of the Outer Sleeve **140** which has the same outer diameter as the major diameter of the threaded implant.

The drill shaft of drill **240** comprises an upper portion **243**, a central recessed portion **256** of a smaller diameter and a lower cutting drill portion **250**. The upper portion **243** and lower portion **256** of the drill **240** have the same outside diameter.

The Inner Sleeve **242** serves many functions. First, it provides a more intimate drill guide for drill **240** in the event a smaller diameter hole is to be drilled than that of the inside diameter of the Outer Sleeve **140**. Second, since it now guides the Drill, it allows for the Outer Sleeve **140** to have an internal diameter large enough to admit the threaded spinal implant, which is indeed considerably larger in diameter than the Drill **240** itself.

If a larger Outer Sleeve **140** were utilized absent the Inner Sleeve **242**, then the Drill **240** would be free to wander within the confines of that greater space and would not reliably make parallel cuts removing equal portions of bone from the adjacent vertebrae V. Further, the bone removal not only needs to be equal, but must be correctly oriented in three dimensions. That is, the path of the Drill **240** must be equally centered within the disc space, parallel the endplates, and parallel to the sagittal axis dissecting the interspace.

A further purpose of the Inner Sleeve **242** is that it may be removed simultaneously with the Drill **240**, thereby trapping the debris, both cartilaginous and bony generated during the drilling procedure, which are guided rearward by the large flutes **251** of Drill portion **250**, where they are collected

25

around recessed portion **256** between the recessed portion **256** and the inner wall of the Inner Sleeve **242** are there contained therein. Thus, by removing the Drill **240** in conjunction with the Inner Sleeve **242**, all of the debris generated by the reaming procedure is safely removed from the spinal canal and wound area.

Further, if the disc tissue in the area to be reamed has been removed previously, as per the preferred method, then the patient's own bone of good quality and useful within the operation will then be contained between the Inner Sleeve **242** and the shaft portion **256**. Once away from the surgical wound, this material may be used to load the spinal implant or placed deep within the interspace to participate in the fusion.

The method of actually producing the surgical hole within the spine is variable. As shown in FIG. **11C**, in an alternative embodiment Drill end **250** has a forward projecting nipple **260**, which itself is bullet-shaped in its leading aspect so as to ease its entrance into the disc space and to urge the vertebrae apart. Nipple **260** is distracting, stabilizing as it resists any tendency of the vertebrae to move together, is self-centering to the Drill portion **250** when working in conjunction with Sleeves **140** and **242**, and virtually assures the symmetrical resection of bone from the opposed vertebral surfaces.

Referring to FIG. **11B**, the alternative "Trephine Method" referred to earlier in this application is shown. In this alternative, a Long Distractor **100** is left in place after the Outer Sleeve **140** is seated. The Long Distractor **100** in this case differs from the Long Distractor of the preferred embodiment in that its outside diameter of the barrel **106** is of a smaller diameter than in the prior version. This is made necessary because regardless of the method, the hole to be formed corresponds to the minor diameter of the spinal implant. Trephine **270**, a hollow, tubular member with sharp cutting teeth **251** at its proximal end, has a wall thickness and since the outside diameter of that trephine **270** must correspond to the root diameter of the implant, then the wall thickness of the trephine **270** must be allowed for by a corresponding reduction in the diameter of the Long Distractor **100**.

A further modification of the Long Distractor **100** to the "Trephine Method" would use longitudinal grooves (not shown) along the barrel surface **106** for the purpose of transmitting any debris generated during the cutting procedure, rearward. Since the cutting element is both centered and aligned by the Long Distractor, the use of the Inner Sleeve **242** is not mandatory, but may once again be useful in controlling the path of the debris. To that end, little debris is generated in the "Trephine Method" as the bony arcs are not so much being reamed out and removed as they are simply being cut into the bone where these arcs of bone are left connected at their far ends. Thus, when the Trephining Method has been completed and the Trephine **270** and Inner Sleeve **242** removed, unlike in the preferred embodiment where the hole is drilled out, it remains necessary to remove both the two arcs of bone, and any interposed material. Nevertheless, this is very easily performed by various means, one of which is depicted in FIG. **11D**.

Referring to FIG. **11D**, Instrument **272** consisting of a shaft **276** attached off-center to the lower surface **273** handle **274** is shown. The shaft **274** terminates in a cutting arm **278**. The instrument **272** is inserted through Outer Sleeve **140** where the lower surface **273** of handle **274** abuts the top **172** of the Outer Sleeve **140**, both stopping downward motion of instrument **272** and precisely placing the perpendicularly

26

cutting arm **278** of instrument **272** so that as handle portion **274** is rotated, the cutting arm **278** is also rotated, cutting the arcs of bone and liberating them from their last attachments. These portions of bone are then removed utilizing this instrument or a long forceps, and then placed within the implants or otherwise used to participate in the fusion.

Referring to FIGS. **12** and **13**, while in the preferred embodiment of the present invention the spinal implant I, is essentially self-tapping, if the bone is unusually hard it may be desirable to form the thread pattern within the interspace prior to the insertion of the implant I. To that end, as shown in FIG. **12**, Tap **280** has a threadcutting portion **282** connected by a shaft **286** to a handle portion **292**, which has been designed to give mechanical advantage to the rotation of the instrument for the purpose of cutting threads. The lower portion of handle **290** has a forward facing flat surface **288** too large to fit through the opening of Outer Sleeve **140** which thus safely limits the depth of penetration of the cutting element **282**. This tap **280** is further made safe by blunt end **294** which will engage the uncut portions of the vertebral bone just prior to the engagement of shoulder **288** against surface **172**. This feature allows the surgeon to appreciate a less harsh resistance as the blunt nose **294** encounters the remaining unresected bone for the drill hole and prior to the sudden increase in resistance caused by the seating of shoulder **288** against top edge **172**, which first resistance serves as a warning to the surgeon to discontinue the tapping procedure. Thus, the surgeon has both visual (as shoulder **288** approaches top edge **172**) and tactile warnings to avoid stripping the thread form. Tap end **282** is highly specialized for its specific purpose. Rearward to the specialized blunt tip **294** is a truncated bullet-shaped area **298** which ramps up to the constant diameter intermediate the cutting ridges **296**. Ramp portion **298** urges the opposed vertebral bodies apart, which motion is resisted by Outer Sleeve **140**, thus progressively driving the sharp leading edges of thread forms **296** into the vertebral bodies. The periodic longitudinal grooves **284** interrupting the thread forms, which may number 1 to 8, but preferably 4, function to accumulate the bony material which is removed during the thread cutting process. In that regard, in the ideal embodiment, the thread cutting form is designed to compress the bone to be formed rather than to trough through it. Further, while both the major and minor diameters of the Tap **280** may be varied, in the preferred embodiment, the minor diameter corresponds to the minor diameter of the implant I, but the major diameter is slightly less than the major diameter of the implant.

With Tap **280** now removed, and Sleeve **140** still in place, the surgical site is now fully prepared to receive the spinal implant I. In the preferred embodiment of the spinal implant, the implant has been enhanced by the use of, application to, and filling with fusion promoting, enhancing, and participating substances and factors. Thus, the implant may be fully prepared for insertion as provided to the operating surgeon. However, at the present time, human bone is most commonly used as the graft material of choice, with the patient's own bone being considered the best source.

Referring to FIG. **14A**, a trephine **300** is shown with an exceedingly sharp front cutting edge **302** for quickly and cleanly coring into the patient's posterior iliac crest, or any other bony tissue, and for the purpose of producing a core of bone then contained within the hollow **304** of the trephine **300**. Trephine **300** has a rear portion **306** with a pair of diametrically opposed slots **310**, and disposed clockwise from their longitudinally oriented rearward facing openings so as to engage diametrically and opposing members **312** of

Drive. Unit **308**, by which trephine **300** may be attached to either a hand or power drill. It can be appreciated that engagement mechanism **312** is stable during the clockwise cutting procedure, and yet allows for the rapid disconnection of the two components once the cutting is completed.

Because of the high interference between the graft and the inner wall of hollow portion **304**, and the relative weakness of the cancellous bone being harvested, it is possible to remove the Trephine **300** while still drilling, and to have it extract the core of bone with it. However, in the highly unlikely event that the core of bone would remain fixed at its base, then with the drive mechanism **308** removed, a corkscrew **408** shown in FIG. 14C is introduced through the central opening of rear portion **306** and threaded down and through the core of bone within **304** and to the depth of teeth **302**. The tip **318** of the corkscrew **408**, which extends substantially on line with the outer envelope of the corkscrew, then cuts radially through the base of the bone core. As the handle portion **314** of the corkscrew **408** abuts the flat, rearward surface of portion **306** and it can no longer advance. As corkscrew **408** is continued to be turned further, it will cause the core of bone to be pulled rearward, as in removing a cork from a wine bottle. Trephine **300** has a barrel portion **304** continuous with sharp toothed portion **302** having an inner diameter just less than the inner diameter of the spinal implant I to be loaded.

Referring to FIG. 14B, the Trephine **300** with its core of harvested bone is then placed as shown in FIG. 14B, through opening **340** of Implant Bone Loading device **320**, where the barrel portion **304** then passes through and is stopped by circular flange **344**. The plunger shaft **326** of instrument **320** is then prepared for attachment by rotating knob **332** counterclockwise such that the plunger **372** is pulled via the long threaded shaft portion **328** back to the base of collar **330** at its proximal end. In this position, knob **332** is considerably extended rearward from collar **330**. With plunger shaft **326** in this position, the plunger head **372** is inserted into the central hollow of portion **306** of Trephine **300** as the proximal cylindrical portion of collar **330** then follows it, such that the plunger **372** then occupies the rearward portion of barrel **304** and the proximal cylindrical portion of collar **330** occupies the central hollow of portion **306**. A pair of diametrically opposed radially projecting arms **346** on collar **330** are then advanced longitudinally into diametrically opposed paired L slots **340** and then rotated clockwise to complete this assembly.

At the other end of instrument **320**, a spinal implant I is engaged through its female rectangular slot **364** by a rectangular protruding bar extending from rearward facing surface of end plug **324**, (not shown) and secured there by knob **334** which extends as a rod through a central aperture within end plug **324** to extend at the far end as a small bolt which threads to a female aperture centered within the female slot **364** of the spinal implant. With the spinal implant I secured to end plug **324** and the opposite end of the implant I presenting as a hollow, tubular opening, end plug **324** is advanced into device **320** where it is secured by rotationally engaging diametrically opposed L-shaped slots **321**. With device **320** fully assembled, end **302** of trephine **300** lies coaxial and opposed to the open end of implant I.

Referring to FIG. 15, as knob **332** is then rotated clockwise, the plunger **372** proximal the threaded shaft **328** is then forcibly, but controllably driven forward down the barrel **304** ejecting the bone graft directly into the spinal implant I. As the bone graft is greater in length than the interior of the spinal implant, with further compression the bone is forced into the radially disposed apertures through the wall of the device communicating from the central cavity to the exterior.

End plug **324** is then removed from apparatus **320**. Using end plug **324** as a handle, end cap **374** shown in FIG. 16 is secured to the open end of the spinal implant I. The implant is then disassociated from end plug **324** by rotating knob **334** counterclockwise.

Referring to FIG. 16, an Implant Driver instrument which may be used to either insert or to remove said implant I is shown. Driver **350** has at its far end **362**, a rectangular protrusion **398**, which protrusion intimately engages the complimentary rectangular slot **364** of implant I. Protruding from slot **398** of end **362** is threaded portion **353**, which extends as a rod through hollow shaft **358** and hollow hand barrel **360** to knob **354** where it can be rotationally controlled. Threaded portion **353** screws into a female aperture central slot **364**, urging **353** into **364**, and binding them together such that instrument **350** can be rotated via paired and diametrically opposed extending arms **366** and in either direction while maintaining contact with the implant.

Referring to FIG. 17, affixed to the Driver **350**, the implant I is then introduced through the Outer Sleeve **140** and screwed into the interspace opposed between the two prepared vertebrae V until such time as the leading edge of the Implant Cap **374** reaches the depth of the prepared hole at which time its forward motion is impeded by the bone lying before it which had not been drilled out. This allows for a progressive feel to the surgeon as the implant is screwed home.

As described previously, with the use of the Tap **280**, this terminal resistance to further seating provides significant tactile feedback to the surgeon. Again, as with the Tap **280**, visual monitoring of the depth of insertion of the implant is provided to the surgeon by observing the progressive approximation of the forward surface **370**, of barrel portion **360**, as it approaches the rearward facing surface **172** of Outer Sleeve **140**. Nevertheless, a final safety mechanism, when the full depth of insertion has been achieved, surface **370** of instrument **350** will abut surface **172** of the Outer Sleeve **140**, prohibiting any further installation of the spinal implant.

Referring to FIG. 18, once the implant has been fully installed, the Driver **350** is dissociated from the implant I by turning knob **354** in a counterclockwise direction. The Driver **350** is then withdrawn from the Outer Sleeve **140**, then the Outer Sleeve **140** is removed. This leaves the implant fully installed and inset to the determined depth as shown in FIG. 18.

Attention is then redirected to the other, or first, side of the spine. A dural nerve root retractor is used to retract the neural structures medially, bringing into full view the head **128** of the Short Distractor **120**, lying flush on the canal floor. Utilizing apparatus **152**, extended screw portion **116** is inserted into the female threaded portion **114** of the Short Distractor **120** as the extended rectangular portion **134** of apparatus **152** is engaged to the female rectangular portion **118** of the Short Distractor **120**. Then turning rearward facing portions **108** and **110**, utilizing the knob **136** of FIG. 2, the Long Distractor configuration is restored.

With the dural sac and nerve roots still retracted and protected, the Outer Sleeve **140** is slipped over the reconstituted Long Distractor and seated using the Driver Cap **162**. The entire sequence of events as described for the implantation of the spinal implant I as already placed, is then repeated such that both spinal implants come to lie side by side within the interspace. Though not necessary, circlage or other internal fixation of the levels to be fused may additionally be performed, and then the wound is closed in the routine manner.

Brief Discussion with Reference to the Drawings of the Preferred Method and Instrumentation for Anterior Interbody Fusion Incorporating Intercorporeal Predistraction and Utilizing a Guarded Sleeve System is Disclosed

Because of the absence of the spinal cord and nerve roots, it is generally possible to visualize in one instance the entire width of the disc space from side to side throughout the cervical, thoracic, or lumbar spine. In the preferred embodiment of the anterior interbody fusion, implants are placed side by side from anterior to posterior parallel to the interspace and extending into the adjacent vertebral bodies. Where the transverse width of the disc space is insufficient to allow for the use of two implants, each of which would be large enough to protrude to the required depth into the adjacent vertebrae, then a singular and significantly larger implant may be placed centrally. With this in mind, and in light of the very detailed description of the technique and instrumentation already provided in regard to the method of posterior lumbar interbody fusion, a brief discussion of anterior spinal interbody fusion with dual implant installation will suffice, and the method for installation of a large, singular midline graft will become obvious.

The interspace to be fused is exposed anteriorly. The soft tissues are withdrawn and protected to either side, and if necessary, above and below as well. It is then possible to visualize the entire width of the vertebrae anteriorly adjacent that interspace. As discussed above, the surgeon has already templated the appropriate patient radiographs to determine the requisite distraction and optimal implant size. In the preferred method, the surgeon then broadly excises the great bulk of the nuclear disc portion. (Alternatively, the disc can be left to be removed via the drill later.) The surgeon then notes and marks a point midway from side to side anteriorly. He then inserts Long Distractor **100** centering it on a point midway between the point just noted and the lateral extent of the intervertebral space visualized anteriorly. The outer barrel portion **106** of the Distractor **100** utilized, will correspond to the outside diameter of the implants to be installed. The Distractor tips **102** inserted are sequentially larger in diameter until the optimal distraction is achieved. This optimal distraction, although suggested by the initial templating, may be visually and tactilely confirmed as performed. When the optimal distraction is achieved, the vertebral endplates will come into full congruence and parallel to the forward shaft portion **102** of the Distractor **100**, causing an alteration in the alignment of the vertebrae and a significant increase in the interference fit and pressurization at the tip, such that the instrument becomes exceedingly stable.

There is a sensation imparted to the surgeon of the tissues having moved through their elastic range to the point where the two adjacent vertebrae *V* begin to feel and move as if a single solid. These changes are easily appreciated visually as the vertebrae realign to become congruent to tip **102**, and can also easily be appreciated via lateral Roentgenography. However, should the surgeon fail to appreciate that optimal distraction has been achieved and attempt to further distract the interspace, he would find that extremely difficult to do because of the increased resistance as the tissues are moved beyond their range of elastic deformation. Further, there would be no elasticity left to allow the vertebrae to move further apart and the sensation to the surgeon should he attempt to gently tap the oversized Distractor forward with a mallet, would be one of great brittleness.

Returning now to the procedure, when the correct intercorporeal Long Distractor **100** producing the ideal inter-

space distraction-having its barrel portion **106** corresponding to the implant **I** to be installed has been inserted, then its exact duplicate is inserted anteriorly equidistant to the other side of the spine. As the barrel portion **106** of Long Distractor **100** is exactly of the same major diameter as the spinal implant **I** looking coaxially on end, the surgeon can then assess the anticipated side by side relationship of the dual implants when implanted.

Referring to FIGS. 7C and 7D, a Dual Outer Sleeve **340** consisting of a pair of hollow tubes is then introduced over the side by side Long Distractors **100** protruding anteriorly from the spine. The Dual Outer Sleeve **340** is comprised of two hollow tubular members identical in size displaced from each other ideally the sum of the difference between the minor and major diameters of both implants combined, but not less than that difference for one implant, as it is possible to have the threads of one implant nest interposed to the threads of the other, such that they both occupy a common area between them. However, while the preferred embodiment is slightly greater than two times the difference between the major and minor diameters of the implant (the sum of both) the distance may be considerably greater. Whereas in the preferred embodiment the paired tubular portions **348** of the Dual Outer Sleeve **340** are parallel, when the area between them **350**, is sufficiently great, these elements may be inclined or declined relative to each other such that they either converge or diverge at their proximal ends. The paired tubular portions **348**, may be bridged in part or wholly throughout their length, but are rigidly fixed by Foot Plate **344**. In its preferred embodiment, a top view shows the Foot Plate **344** to be essentially rectangular, but without sharp corners. However, it is appreciated that other shapes for the Foot Plate **344** can be utilized.

Referring to FIG. 7D, it can be appreciated, that Foot Plate **344** is contoured so as to approximate the shape of the vertebrae anteriorly. Extending forward from Foot Plate **344** are multiple sharp prongs **342** sufficiently long to affix them to the vertebrae. The prongs **342** are limited in length so as to not penetrate too far posteriorly and number from 2 to 10, but preferably 6.

Referring to FIGS. 7E and 7F, as the Dual Outer Sleeve **340** is driven forward utilizing Dual Driver Cap **420**, of FIG. 7E, engaging the rearward end **352**, the prongs **342** extending from Foot Plate **344** are embedded into the opposed vertebral bodies until their forward motion is inhibited by the curved Foot Plate **344** becoming congruent to and being stopped by, the anterior aspect of the vertebral bodies.

As already shown in FIG. 5, the Dual Driver Cap **420** is of the same design as Single Driver Cap **160**, in that there is a recess **354** as per **168**, allowing the Outer Sleeve to be fully seated without impeding the rearward projection of the Long Distractor unit. However, unlike in Cap **160**, area **354** is more relieved as it is unnecessary for the Dual Cap **420** to contact the Long Distractor through portion **110** to inhibit its forward motion, as the Foot Plate **344** functions to that effect. Further, the Dual Cap **420** for the Dual Outer Sleeve **340** is correspondingly dual itself and engages the rearward facing dual tubular portion **352**. Once the Dual Outer Sleeve has been fully seated, the vertebrae adjacent the interspace to be fused are rigidly held via Foot Plate **344** and the prongs **342**. Thus, it is possible to remove either one, or if desired, both of the Long Distractor rods utilizing Long Distractor puller **200**, as per the method already described. It is then the surgeon's choice to work on one or both sides of the spine. As per previous discussion, the surgeon may drill the interspace utilizing the Inner Sleeve **242** or leave the Long Distractors in place as per the "Trephine Method".

Tapping, if necessary, and the insertion of the implants then occurs through the protective Outer Sleeve **340**. Once the implants have been fully inserted, the Outer Sleeve is removed.

Having utilized the Drill method, or “Trepine Method”, with or without an Inner Sleeve to prepare the fusion site, it is the preferred embodiment to leave the Outer Sleeve **340** in place as it provides for the ideal placement and alignment of the Tap **280** and implant **I**.

It is anticipated that the surgeon wishing to work deep within the interspace, or preferring the ability to directly visualize the tap being used, or the implant being inserted, may choose to remove the Outer Sleeve after the insertion of the first prosthesis to maintain stability, or prior to that, which while not the preferred embodiments, are nevertheless within the scope of the present invention.

Alternative Methods to the Preferred Embodiment for Method of Anterior Interbody Fusion

As previously described for the posterior lumbar spine, alternatively, one can employ the “Trepine Method” as has been described in detail.

As a further alternative, it should be noted that the key element in the anterior method is the use of the predistrac-tion principle, where such distraction is maintained by the Outer Sleeve with or without the Long Distractor. Therefore, once the preparation of the interspace has been completed, while not the preferred embodiment, it is nevertheless within the scope of this invention that one could remove the Outer Sleeve as there are no neural structures requiring protection, and insert the implants directly rather than through the Outer Sleeve.

As yet a further alternative of this method, where the height of the distracted interspace is such that the diameter of the implant required to span that height and to embed with sufficient depth into the opposed vertebral bodies is such that it is not possible to place two such implants side by side, then only a single implant which may be of significantly increased diameter, is used and placed centrally within the interspace rather than to either side. The placement of a singular central graft via the present invention method and instrumentation is in keeping with the methods already described and can be performed using either a drill or the “Trepine Method”.

Referring to FIGS. 16–18, a cylindrical embodiment of the spinal implant **I** of the present invention is shown. In FIG. 16 the implant **I** is shown attached to the insertion device **350**. In FIGS. 17 and 18 the implant **I** is shown installed in the disc space **D**, between the adjacent vertebrae.

The cylindrical implant **I** comprises a hollow tubular member which in the preferred embodiment is made of an ASTM surgically implantable material, preferably titanium. The cylindrical implant **I** is closed at one end and open at the other end covered by a cap **394**. The cylindrical implant **I** has a series of macro-sized openings **390** through the side walls of the cylindrical implant **I**. A series of external threads **392** are formed on the circumference of the cylindrical implant **I**. Any variety of threads may be used on the implant. The cap **374** has a hexagonal opening **394** for tightening the cap **374**.

While the present invention has been described with respect to the preferred embodiment of the method and instrumentation, it is appreciated that other embodiments of the method and instrumentation may be devised without departing from the scope of the present invention. Examples of further embodiments of the present invention are described in detail below.

Detailed Description of Alternative Embodiments of Apparatus and Method

When the human spine is viewed from the side, it consists of a balanced series of curves, as opposed to the vertebrae being stacked one upon another in a straight line when viewed from the side. In both the cervical and lumbar regions of the spine, the vertebrae relate to each other so as to form curves where the apex of said curves is displaced forward within the body, and those segments of the spine are said to be in lordosis. In contradistinction, in the thoracic portion of the spine, the vertebrae relate to each other so as to form a curve where the apex of said curve is displaced posteriorly and is said to be in kyphosis. The methods and instrumentation of the present invention have as one of its purposes to provide for the permanent stabilization of contiguous vertebrae by fusion, there is then a need for a means to preserve said lordosis/kyphosis if present, or to restore said lordosis/kyphosis if already lost, prior to the completion of the fusion procedure.

The following embodiments of the present invention, either individually or in combination, provide for both the stabilization and fusion to be performed with the related vertebrae in the correct anatomic lordosis or kyphosis. Where it is possible to approach the spine from various angles each of the devices, then has different forms appropriate to that specific approach.

Referring to FIG. 19, an alternative embodiment of the instrumentation of the present invention comprising a Posterior Long Lordotic Distractor **400** capable of restoring and maintaining lordosis of adjacent vertebrae **V** from the posterior approach of the spine is shown. The Posterior Long Lordotic Distractor **400** is inserted from the posterior aspect of the spine and comprises a barrel portion **410** terminating at its distal end **412** in a disc penetrating portion **420** which is shown interposed within the disc space between two adjacent vertebrae **V**. The disc penetrating portion **420** terminates distally into a leading bullet-shaped front end **422** which facilitates the insertion of the disc penetrating portion **420** between the adjacent vertebrae **V**. The disc penetrating portion **420** is configured to have an uneven diameter such that it has a lesser diameter, and thus a lesser height within the disc space proximate the distal end **412** of the barrel portion **410** and has a greater diameter, and thus greater height within the disc space, in the direction of the front end **422**. This configuration of the disc penetrating portion **420** serves to not only restore the intervertebral disc space height upon insertion of the disc penetrating portion **420** of the Posterior Long Lordotic Distractor **400**, but also serves to restore and maintain the normal lordosis between the adjacent vertebrae **V**. The leading bullet-shaped front end **422** is of particular importance in regard to the Posterior Long Lordotic Distractor **400** where the largest diameter portion of the disc penetrating portion **420** would otherwise be entering the disc space first.

The widest diameter of the disc penetrating portion **420** is less than the diameter of the barrel portion **410**, such that a circumferential shoulder **424** is formed at the distal end **412** of the barrel portion **410** which prevents over penetration into the disc space of the Posterior Long Lordotic Distractor **400**. It can readily be appreciated that such a configuration of the disc penetrating portion **420** renders the Posterior Long Distractor **400** quite stable within the disc space and resistant to backing out as the compressive forces of the spine upon the disc penetrating portion **420** tend to urge it forward, while simultaneously the circumferential shoulder **424** makes such further motion impossible, thus making the Posterior Long Distractor **400** exceedingly stable.

Referring to FIG. 20, in preparation for the bone removal step, the Posterior Long Lordotic Distractor 400 is shown with the disc penetrating portion 420 in place between the adjacent vertebrae V to restore and maintain lordosis of the spine. An Outer Sleeve 140 described above in reference to FIG. 5, is properly seated over the Posterior Long Lordotic Distractor 400 using a mallet and the already described Driver Cap 160. While the bone removal step may be performed by either the drilling method described above in reference to FIGS. 11A and 11C or the "Trephine Method" described above in reference to FIG. 11B, the "Trephine Method" is preferred in this situation as it leaves the Posterior Long Lordotic Distractor 400 undisturbed until sufficient space has been created by the removal of bone at least as great as the thickness of the wall of the trephine 270 itself to allow for the unobstructed removal of the Posterior Long Lordotic Distractor 400.

If the "Trephine Method" described above in reference to FIG. 11B is used with the Posterior Long Lordotic Distractor 400 the Outer Sleeve 140 would first be fitted with an Inner Sleeve 242 such as that shown in FIG. 11B, prior to both being placed simultaneously down over the barrel portion 410 of the Posterior Long Lordotic Distractor 400. Once the Outer Sleeve 140 is concentrically seated relative to the barrel portion 410, the Inner Sleeve 242 alone would be removed, and the trephine 270 would then be placed over the Posterior Long Lordotic Distractor 400 and within the confines of the Outer Sleeve 140 and into the adjacent vertebrae V across the disc space to the appropriate depth. The use of an Inner Sleeve is not required as the trephine 270 is both centered and aligned by the Posterior Long Lordotic Distractor 400.

In addition to cutting the two hemi-cylinders of bone, one for each vertebrae V, the saw-like sharp cutting teeth 271 of the trephine 270 shown in FIG. 11B removes a path of bone equal to the distance of the splaying out of each of the cutting teeth 271 relative to its neighbor and which distance cannot be less than the wall thickness of the trephine 270 itself. Thus, once the trephine 270 is removed, left behind is a semi-cylindrical space outlining each of the arcs of bone cut from the adjacent vertebrae V such that the two spaces combined provide for sufficient space such that it is then possible to extract the Posterior Long Lordotic Distractor 400 without disturbing the vertebrae V themselves as the vertebrae V are held in position by the Outer Sleeve 140 which engages both of the vertebrae V.

Referring to FIGS. 21 and 22, since the vertebrae V are placed into lordosis prior to the bone removal step, the space S created by the bone removal is cut at an angle relative to the vertebrae V in the shape of a cylinder, and which corresponds to the shape of the cylindrical implant I. In this manner, the cylindrical implant I with parallel walls may be inserted between adjacent vertebrae V which have been stabilized for fusion in angular relationship to each other so as to preserve the normal curvature of the spine.

Referring to FIGS. 23 and 24, an elevational side view and a top plan view, respectively, of a Posterior Short Lordotic Distractor 500 for posterior use generally referred to by the numeral 500 is shown. The Posterior Short Lordotic Distractor 500 is similar to the Short Distractor 120 described above in reference to the Convertible Distractor and comprises a disc penetrating portion 520 identical to that of the Posterior Long Lordotic Distractor 400 and an increased diameter head 128 as described above in reference to FIGS. 3-3F. As discussed above for the Posterior Long Distractor 400, the configuration of the disc penetrating portion 520 renders the Posterior Short Lordotic Distractor

500 quite stable. This is an especially important feature for the Posterior Short Lordotic Distractor 500 because it is left under the delicate dural sac and nerves while work is being performed on the contralateral side of the spine. If the Posterior Short Lordotic Distractor 500 were other than stable, injury to these structures might result. To further prevent unwanted backing out of the Posterior Short Lordotic Distractor 500, the bone engaging surface 530 may be knurled or otherwise roughened, or have forward facing ratcheting.

Referring to FIG. 25, an Anterior Long Lordotic Distractor 600 for use anteriorly within the spine is shown. It can be seen that the configuration of the disc penetrating portion 620 is the reverse of the disc penetrating portion 420 of the Posterior Long Lordotic Distractor 400 in that the disc penetrating portion 620 is of greatest diameter and height proximate the barrel portion 610 and that the diameter and height are diminished more distally in the direction towards the front end 622 along the disc penetrating portion 620. The Anterior Long Lordotic Distractor 600 serves to restore and maintain lordosis of the spine by distraction of the adjacent vertebrae V. As described above for the Posterior Short Lordotic distractor 500, it is appreciated that an Anterior Short Lordotic Distractor (not shown) having a disc penetrating portion 520 may be similarly devised.

It can be seen that all of the Lordotic distractors, both the anterior and the posterior embodiments, have specialized leading bullet-shaped or nosecone-shaped portions so as to facilitate the insertion of the disc penetrating portions within the disc space. This is of particular importance in regard to the Posterior Lordotic Distractors where the largest diameter portion of the disc penetrating portion 420 would otherwise be entering the disc space first.

Referring to FIGS. 26 and 27, an alternative embodiment of the present invention for maintaining distraction during the surgical procedure involves a more specialized form of the previously described Outer Sleeve 140 and is shown and identified as the Extended Outer Sleeve 700. The Extended Outer Sleeve 700 comprises a hollow tubular member 702 having a distal end 710 which has been extended such that a pair of extended portions 720 and 722, which are essentially a continuation of the hollow tubular member 702 itself (with or without reinforcement), are opposed 180 degrees from each other, tapered at their leading edges 724 and 726 for ease of introduction, and of such height as to restore the height of the intervertebral disc space. Located at the distal end 710 may be a plurality of teeth 712, similar to those previously described above, or other engagement means for engaging the bone of the adjacent vertebrae V. It is appreciated that the distal end 710 may have no teeth 712.

The Extended Outer Sleeve 700 is entirely a new invention such as has never existed in the art or science of surgery, the Extended Outer Sleeve 700 offers numerous advantages over all previously described drilling sleeves and the Outer Sleeve 140 herein previously described. The Extended Outer Sleeve 700 by dint of its extended portions 720 and 722 which are inserted between the adjacent vertebrae does itself act as an intervertebral distractor and is therefore essentially a combination outer sleeve and distractor. The Extended Outer Sleeve 700 is exceedingly stable as the extended portions 720 and 722 are trapped within the disc space and further held there by the considerable compressive loads within the spine.

Referring to FIG. 28, because of the stability thus provided, a further derivative advantage is that the teeth 772 on the distal end 710 of the Extended Outer Sleeve 700 may

either be eliminated as shown in FIG. 28, or in the preferred embodiment be made of a lesser size. Further, it should be noted that teeth 712 when present would be confined to the area directly in line with the vertebrae V and the extended portions 720 and 722 would ensure the proper rotatory alignment.

A further advantage, to be discussed in more detail subsequently, is that the extended portions 720 and 722 confine the surgery to the area within and between the extended portions 720 and 722 and protect all other tissues external to the extended portions 720 and 722.

Having now described the novel concept of the Extended Outer Sleeve 700, attention may now be directed to further variations of the Extended Outer Sleeve 700 capable of not only restoring and maintaining the appropriate intervertebral disc space height, but additionally being able to restore and maintain anatomic lordosis or kyphosis, as desired, through the surgical procedure.

Referring to FIG. 29, a Posterior Lordotic Extended Outer Sleeve 800 for use from the posterior approach of the spine is shown. The Posterior Lordotic Extended Outer Sleeve 800 comprises a hollow tubular member 802 having a distal end 810 which has been extended such that a pair of extended portions 820 and 822, which are essentially a continuation of the tubular member 802, are opposed 180 degrees from each other. The extended portions 820 and 822 differ from the extended portions 720 and 722 in that the extended portions 820 and 822 are configured to restore and maintain lordosis of the spine similar to the disc penetrating portion 420 of the Posterior Long Lordotic Distractor 400, the features of which are herein incorporated by reference.

The extended portions 820 and 822 each have a height that is lesser at a point proximate the distal end 810 of the tubular member 802 that increases in the direction away from the tubular member 802. The extended portions 820 and 822 are tapered at their leading edges 824 and 826, respectively to facilitate insertion into the disc space.

Between the extended portions 820 and 822, may be a plurality of teeth 812 for engaging the bone of the vertebrae V when the Extended Outer Sleeve 800 is inserted within the disc space between the adjacent vertebrae V.

Referring to FIG. 30, a Posterior Lordotic Extended Outer Sleeve 800' in place within the intervertebral disc space is shown.

Referring to FIG. 31, an Anterior Extended Outer Sleeve 900 for use from the anterior approach of the spine is shown. The Anterior Lordotic Extended Outer Sleeve 900 comprises a hollow tubular member 902 having a distal end 910 which has been extended such that a pair of extended portions 920 and 922 which are essentially a continuation of the tubular member 902 and are opposed 180 degrees from each other. The extended portions 920 and 922 differ from the extended portions 820 and 822 in that the extended portions 920 and 922 are configured to restore and maintain lordosis of the spine from the anterior approach similar to the disc penetrating portion 620 of the Anterior Long Lordotic Distractor 600, the features of which are herein incorporated by reference.

The extended portions 920 and 922 each have a height that is greater at a point proximate to the distal end 910 of the tubular member 902 that decreases in the direction away from the tubular member 902. The extended portions 920 and 922 are tapered at their leading edges 924 and 926, respectively to facilitate insertion into the disc space.

While the Lordotic Extended Outer Sleeve for use anteriorly is shown in the singular form and in use in the lumbar

spine, it is understood that it may take a double barrelled form and in either form, be used throughout the spine.

Referring to FIGS. 33 and 34, a Lumbar Dual Extended Outer Sleeve is shown and generally referred to by the numeral 1100. The Dual Extended Outer Sleeve 1100 comprises two hollow tubular members 1101 and 1102. The two hollow tubular members 1101 and 1102 have a distal end 1104 which has been extended to form an extended portion 1121 which is essentially a continuation of the hollow tubular members 1101 and 1102 joined together. The extended portion 1121 is similar in shape and function to the extended portions 920 and 922 described above in reference to FIG. 31. The extended portion 1121 has a height that is greater at a point proximate the distal end 1104 and decreases in the direction away from the hollow tubular members 1101 and 1102, in order to maintain the normal curvature of the spine by correcting the angular relationships of the vertebrae V. The extended portion 1121, is tapered at its leading edge 1124 to facilitate insertion of the extended portion 1121 into the disc space between two adjacent vertebrae V. Located at the distal end of the tubular members 1101 and 1102 are sharpened teeth 1130 for engaging the vertebrae V.

Each of the hollow tubular members 1101 and 1102 are displaced from each other ideally the sum of the difference between the minor and major diameters of two threaded spinal implants I combined, but not less than that difference for one implant I, as it is possible to have the threads of one implant I nest interposed to the threads of the other implant I such that they both occupy a common area between them. Typically, the walls of each hollow tubular members 1101 and 1102 have a combined thickness at the point which the walls of the hollow tubular members 1101 and 1102 are in contact with each other which is approximately 2.0 mm. This is achieved by machining away part of each hollow tubular member 1101 and 1102 to reduce the wall thickness of each hollow tubular member 1101 and 1102 prior to joining them together. In this manner, the two hollow tubular members 1101 and 1102 may be placed closer together so that two spinal implants I may be placed closer together when inserted within the disc space between adjacent vertebrae W. The hollow tubular member 1101 and 1102 can be overlapped or displaced from each other so as to control the distance between implants when the Dual Extended Outer Sleeve is utilized and two implants implanted.

The hollow tubular members 1101 and 1102 may be bridged in part or wholly throughout their length, but are typically fixed by a foot plate 1110, similar in function, but not in configuration, to Foot Plate 344 described above in reference to FIGS. 7C and 7D.

Referring specifically to FIG. 34, the foot plate 1110 has an oval configuration that contours and hugs the vertebrae and has a plurality of prongs 1112-1115 extending from the bottom of the foot plate 1110 is shown. The prongs 1112-1115 are sufficiently long to engage the bone of adjacent vertebrae V, but limited in length so as not to over penetrate beyond the vertebrae once inserted.

Referring to FIG. 35, a second Dual Extended Outer Sleeve 1200, is shown. The Dual Extended Outer Sleeve 1200 is similar to the Dual Extended Outer Sleeve 1100, except that it has additional extended portions 1220 and 1222 which have a height that is greater near the distal end 1204 of the hollow tubular members 1201 and 1202 and decreases in the direction away from the hollow tubular members 1201 and 1202. The extended portions 1220-1222 are similar in shape and function to the extended portions

920 and 922 described above in reference to FIG. 31. Moreover, as the foot plate 1210 is rectangular and larger than foot plate 1110, additional prong 1216 and 1217 may be added.

Further, it should be appreciated that the Lordotic distractor for use posteriorly when referring to their use in the lumbar spine, would be used anteriorly if applied to the thoracic spine, either in the single or double-barrel form. This is because the thoracic spine is normally curved into kyphosis which is the reverse of lordosis. That is, in approaching the thoracic spine anteriorly, it would be desirable to distract the back of the disc space more than the front, and that would require an Extended Outer Sleeve which would resemble that seen in FIG. 30; though when used in this new context, it would more correctly be referred to as an Anterior Thoracic Kyphotic Extended Outer Sleeve. As with the Posterior Lordotic Outer Sleeve, the Posterior and Anterior Long Lordotic Posterior Short Lordotic Distractor and Anterior Short Lordotic Distractors, though referred to previously as Lordotic when placed into the lumbar spine from the posterior approach, would now more correctly, when placed in the thoracic spine from the anterior approach be called Kyphotic Thoracic Distractors.

It can readily be appreciated that the described Extended Outer Sleeves may be used with the Short and Long Distractors having a disc penetrating portion of uniform diameter or in combination with the lordotic and kyphotic distractors of complimentary configuration.

Referring to FIGS. 36-41, shown is the apparatus 1350 for use in installing an improved interbody spinal fusion implant 1300 having one or more flat sides as disclosed in co-pending application filed on Feb. 17, 1995, entitled INTERBODY SPINAL FUSION IMPLANTS, now U.S. Pat. No. 5,593,409, which is incorporated herein by reference. The apparatus 1350 comprises a Dual Outer Sleeve 1310 having a pair of overlapping, hollow cylindrical tubes 1352 and 1354 identical in size and each having an internal diameter slightly larger than the outer diameter of the spinal fusion implant 1300. The cylindrical tubes 1352, 1354 are in communication with each other along their length and are displaced from each other ideally a distance that is slightly greater than the sum of the diameters of two spinal fusion implants 1300 placed side-by-side with the flat sides 1302 of each spinal fusion implant 1300 touching. The cylindrical tubes 1352 and 1354 are joined longitudinally such that they are partially overlapping. The hollow cylindrical tubes 1352 and 1354 are mounted on a foot plate 1362 similar to the foot plate described in FIG. 35. There are a series of prongs 1364a-1364f projecting from the bottom 1366 of the foot plate 1360 which are used to engage the Dual Outer Sleeve 1310 to the base of the adjacent vertebrae V.

Referring specifically to FIG. 36, the apparatus 1350 is introduced over two Long Distractors 1320 and 1322 placed side-by-side and protruding anteriorly from the vertebrae V. The Long Distractors 1320 and 1322 are similar to the Long Distractor 100 described above except that they have a flat side 1324 and 1326, respectively.

Referring to FIGS. 37 and 38, in one embodiment, the foot plate 1360 is essentially rectangular, but without sharp corners. It is appreciated by those skilled in the art, that other shapes can be utilized.

As shown in FIGS. 36 and 39, the foot plate 1360 is contoured so as to approximate the external curvature of the vertebrae V anteriorly. Extending forward from foot plate 1360 are the multiple sharp prongs 1364a-1364f which are sufficiently long to permit fixation of the foot plate 1360 to

the vertebrae V. The prongs 1364a-1364f are limited in length so as to not penetrate the vertebrae V too far posteriorly and number from 2 to 10, but preferably 6.

Referring to FIG. 39, as the Dual Outer Sleeve 1350 is driven forward, the prongs 1364a-1364f extending from foot plate 1360 are embedded into the opposed vertebrae V until their forward motion is inhibited by the foot plate 1360 becoming congruent to and being stopped by, the anterior aspect of the vertebrae V.

As shown in FIG. 36, once the apparatus 1350 has been fully seated, the vertebrae V adjacent the interspace D to be fused are rigidly held via foot plate 1360 and the prongs 1364a-1364f. Thus, it is possible to remove either one, or if desired, both of the long distractors 1320 and 1322. The dual outer sleeve has been described above for inserting two implants each having at least one flat side, may have extended portions for intradiscal insertion which are capable of producing distraction as well as kyphosis or lordosis as previously described with such extensions extending in line with the lateral walls of the cylindrical tubes.

Referring to FIG. 40, once the Dual Outer Sleeve 1350 has been fully seated, one of the Long Distractors 1320 and 1322 is removed and the surgeon may drill the interspace D utilizing drill 250 using each of the hollow cylinders 1352, 1354 to guide the drill 250 in order to create overlapping holes in which the spinal fusion implants 1300a and 1300b may be inserted. It is also appreciated by those skilled in the art, that a hollow inner sleeve (not shown) may be inserted into the hollow cylinders 1352, 1354 through which the drilling is performed or the Long Distractors may be left in place and a hollow trephine that fits over each of the Long Distractors 1320 and 1322 may be used to drill the interspace D. It is readily appreciated that the tubular members can be of a variety of shapes and sizes. Further, the removal of disc and bone may be accomplished by the use of a burr, or a chisel of appropriate shape for that purpose and with or without the use of a drill. The implants would then have shapes appropriate for use in the spaces so formed.

Referring to FIG. 41, once the interspace D has been drilled, an implant Driver 350 described above is used to insert the spinal fusion implants 1300a and 1300b preferably by linear advancement. The implant driver instrument 350 may be used to either insert or to remove the spinal fusion implants 1300a and 1300b.

Once affixed to the implant Driver 350, the spinal fusion implant 1300a is then introduced through one of the hollow cylindrical tubes 1352, 1354 and driven into the interspace D by the application of an impaction force transmitted through the implant driver instrument 350. Once the spinal fusion implant 1300a is inserted into the interspace D, the surface roughenings of the outer surface of the spinal fusion implant 1300a engage the bone of the vertebrae V and the implant Driver 350 is detached from the spinal fusion implant 1300a. The implant driver instrument 350 is then withdrawn from the Dual Outer Sleeve 1350 and the spinal fusion implant 1300a is fully installed and inset in the interspace D as shown in FIG. 41.

Once a first spinal fusion implant 1300a is inserted into the interspace D, a second spinal fusion implant 1300b is driven into the interspace D so that the flat side 1302a or 1302b of each spinal fusion implant 1300a and 1300b are adjacent to each other and are touching. In this manner, two spinal fusion implants 1300a and 1300b are implanted within the interspace D and engage the bone of the adjacent vertebrae V without exceeding the width of the spinal column. It is appreciated that there are other ways that two

spinal implants can have complimentary shapes and that they can be inserted by linear advancement through a single (both at once) or dual outer sleeve having intradiscal extended members for stabilization, distraction, and/or to effect lordosis or kyphosis.

While the present invention has been described in association with the implant of a threaded spinal implant, it is recognized that other forms of implants may be used with the present method. For example, dowels, made from bone or artificial materials, knurled or irregularly shaped cylinders or partial cylinders, or any other shaped implants that can be introduced through the outer sleeve may be used. Being able to perform the procedure through the outer sleeve permits the procedure to be performed safely and quickly, and more accurately.

What is claimed is:

1. An apparatus for use in human spinal surgery across at least a portion of the height of a surgically corrected disc space between two adjacent vertebral bodies of a human spine, said apparatus comprising:

a guard having a passage for providing access to the disc space and the adjacent vertebral bodies, said passage having a maximum height as measured along the longitudinal axis of the human spine, said guard having a proximal end and an opposite distal end and at least one side therebetween, said guard having at least two openings in said side in communication with said passage, said openings being opposite one another; and at least one extension extending from said distal end of said guard adapted to be inserted into the disc space between the adjacent vertebral bodies, said extension having a portion adapted to bear against each of the adjacent endplates of the adjacent vertebral bodies from within the disc space, said portion of said extension having an upper surface adapted to contact one of the adjacent endplates of the adjacent vertebral bodies and a lower surface adapted to contact the other of the adjacent endplates of the adjacent vertebral bodies, said portion of said extension having a height between said upper and lower surfaces and a length sufficient to align and distance apart the adjacent vertebral bodies.

2. The apparatus of claim 1, wherein at least one of said openings is at least one of a slot and a key-hole.

3. The apparatus of claim 1, wherein said openings are parallel to one another.

4. The apparatus of claim 1, wherein said openings are at least two slots.

5. The apparatus of claim 1, wherein said openings in said side divide at least a portion of said guard into an upper portion and a lower portion.

6. The apparatus of claim 5, wherein said upper portion and said lower portion of said guard are adapted to move apart from one another to facilitate the insertion of an implant through said passage and into the disc space.

7. The apparatus of claim 1, wherein said guard is a hollow tubular sleeve.

8. The apparatus of claim 1, wherein said guard has a circular cross section.

9. The apparatus of claim 1, wherein said passage has a circular cross section.

10. The apparatus of claim 1, wherein said proximal end of said guard has an increased outer dimension.

11. The apparatus of claim 1, wherein said distal end of said guard is contoured to the curvature of the adjacent vertebral bodies against which said guard is adapted to be placed.

12. The apparatus of claim 1, wherein said guard has a footplate.

13. The apparatus of claim 1, wherein said proximal end of said guard is configured to cooperatively engage an impaction member for receiving an impaction force for driving said guard into the spine.

14. The apparatus of claim 1, further comprising a cap adapted to engage said proximal end of said guard.

15. The apparatus of claim 1, further comprising a removable inner guard.

16. The apparatus of claim 15, wherein said removable inner guard is a hollow tubular sleeve.

17. The apparatus of claim 15, wherein said removable inner guard is adapted to be inserted into said guard.

18. The apparatus of claim 15, wherein said inner guard has a collar at one end larger than said passage of said guard.

19. The apparatus of claim 1, further comprising a second extension extending from said guard adapted to be inserted into the disc space and to bear against the endplates of the adjacent vertebral bodies.

20. The apparatus of claim 19, wherein said extensions are diametrically opposed to each other and spaced apart from one another to provide access to the adjacent vertebral bodies from within the disc space.

21. The apparatus of claim 19, wherein said extensions have the same height.

22. The apparatus of claim 1, wherein the height of said extension has at least a portion that approximates the surgically corrected height of the disc space between the adjacent vertebral bodies.

23. The apparatus of claim 1, wherein said upper and lower surfaces adapted to contact the adjacent end plates of the adjacent vertebral bodies diverge away from said guard along at least a portion of their length.

24. The apparatus of claim 1, wherein said upper and lower surfaces adapted to contact the end plates of the adjacent vertebral bodies converge away from said guard member along at least a portion of their length.

25. The apparatus of claim 1, further comprising a second passage in said guard for providing access to the disc space and the adjacent vertebral bodies.

26. The apparatus of claim 25, wherein said passage and said second passage are parallel to each other along at least a portion of their length.

27. The apparatus of claim 25, wherein said passage and said second passage converge along at least a portion of their length.

28. The apparatus of claim 25, wherein said passage and said second passage overlap at least in part.

29. The apparatus of claim 25, wherein said passage and said second passage are spaced apart.

30. The apparatus of claim 1, wherein said extension has a tapered leading end to facilitate placement of said extension into the disc space.

31. The apparatus of claim 1, wherein said guard comprises spine engaging portions at said distal end of said guard for holding said guard to the spine.

32. The apparatus of claim 31, wherein said spine engaging portions are selected from at least one of teeth and pins.

33. The apparatus of claim 31, wherein said spine engaging portions are adapted to penetrate the adjacent vertebral bodies.

34. The apparatus of claim 31, wherein at least one of said spine engaging portions has a tapered leading end to facilitate placement of at least one of said spine engaging portions into the spine.

35. The apparatus of claim 31, wherein at least one of said spine engaging portions has upper and lower surfaces that are parallel to each other.

41

36. The apparatus of claim 31, wherein said spine engaging portions are substantially in line with said side of said guard so that said spine engaging portions do not substantially increase the outer cross-sectional dimension of said guard near the distal end of said guard.

37. The apparatus of claim 1, wherein said extension is substantially in line with said side of said guard.

38. The apparatus of claim 1, in combination with a spinal implant.

39. The apparatus of claim 38, wherein said implant has opposed upper and lower surfaces including at least one opening to permit bone growth from adjacent vertebral body to adjacent vertebral body through said implant.

40. The apparatus of claim 39, wherein said spinal implant is in combination with a fusion promoting material.

41. The apparatus of claim 40, wherein said fusion promoting material is selected from at least one of harvested bone, hydroxyapatite, hydroxyapatite tricalcium phosphate, and bone morphogenetic protein.

42. The apparatus of claim 1, in combination with a bone removal device having a portion sized for movement through said passage for forming through said guard an implantation space at least in part across the surgically corrected height of the disc space.

43. The combination of claim 42, wherein said bone removal device is one of a drill, a trephine, a reamer, an end mill, a chisel, and a burr.

44. The combination of claim 42, further in combination with a spinal insert adapted for insertion into the implantation space formed by said bone removal device.

45. The combination of claim 44, wherein said spinal insert is one of a dowel, an interbody spinal implant, and an interbody spinal fusion implant.

46. The combination of claim 44, wherein said spinal insert comprises at least in part bone.

47. The combination of claim 44, wherein said spinal insert is a bone graft.

48. The combination of claim 44, further in combination with a fusion promoting substance.

49. The combination of claim 48, wherein said fusion promoting substance is bone.

50. The combination of claim 48, further in combination with a press for compressing said fusion promoting substance into said spinal insert.

51. The combination of claim 44, further in combination with an implant driver configured to insert said spinal insert into the implantation space formed by said bone removal device.

52. The combination of claim 42, further in combination with an instrument for removing from the spine the bone cut by said bone removal device.

53. The apparatus of claim 1, in combination with a tap for insertion through said guard for tapping the two adjacent vertebral bodies.

54. The apparatus of claim 1, in combination with a distractor adapted to urge apart the adjacent vertebral bodies.

55. The combination of claim 54, wherein said distractor is an interbody distractor.

56. The combination of claim 54, further in combination with at least a second distractor, said at least second distractor being differently sized relative to said distractor to form a set of distractors of graduated sizes.

57. An apparatus for use in human spinal surgery across at least a portion of the height of a surgically corrected disc space between two adjacent vertebral bodies of a human spine, said apparatus comprising:

a guard having a passage for providing access to the disc space and the adjacent vertebral bodies, said passage

42

having a maximum height as measured along the longitudinal axis of the human spine, said guard having a proximal end and an opposite distal end and at least one side therebetween, said guard having at least two openings in said side in communication with said passage, said openings being parallel to one another; and

at least one extension extending from said distal end of said guard adapted to be inserted into the disc space between the adjacent vertebral bodies, said extension having a portion adapted to bear against each of the adjacent endplates of the adjacent vertebral bodies from within the disc space, said portion of said extension having an upper surface adapted to contact one of the adjacent endplates of the adjacent vertebral bodies and a lower surface adapted to contact the other of the adjacent end plates of the adjacent vertebral bodies, said portion of said extension having a height between said upper and lower surfaces and a length sufficient to align and distance apart the adjacent vertebral bodies.

58. The apparatus of claim 57, wherein at least one of said openings is at least one of a slot and a key hole.

59. The apparatus of claim 57, wherein said openings are at least two slots.

60. The apparatus of claim 57, wherein said openings in said side divide at least a portion of said guard into an upper portion and a lower portion.

61. The apparatus of claim 60, wherein said upper portion and said lower portion of said guard are adapted to move apart from one another to facilitate the insertion of an implant through said passage and into the disc space.

62. The apparatus of claim 57, wherein said guard is a hollow tubular sleeve.

63. The apparatus of claim 57, wherein said guard has a circular cross section.

64. The apparatus of claim 57, wherein said passage has a circular cross section.

65. The apparatus of claim 57, wherein said proximal end of said guard has an increased outer dimension.

66. The apparatus of claim 57, wherein said distal end of said guard is contoured to the curvature of the adjacent vertebral bodies against which said guard is adapted to be placed.

67. The apparatus of claim 57, wherein said guard has a footplate.

68. The apparatus of claim 57, wherein said proximal end of said guard is configured to cooperatively engage an impaction member for receiving an impaction force for driving said guard into the spine.

69. The apparatus of claim 57, further comprising a cap adapted to engage said proximal end of said guard.

70. The apparatus of claim 57, further comprising a removable inner guard.

71. The apparatus of claim 70, wherein said removable inner guard is a hollow tubular sleeve.

72. The apparatus of claim 70, wherein said removable inner guard is adapted to be inserted into said guard.

73. The apparatus of claim 70, wherein said inner guard has a collar at one end larger than said passage of said guard.

74. The apparatus of claim 57, further comprising a second extension extending from said guard adapted to be inserted into the disc space and to bear against the endplates of the adjacent vertebral bodies.

75. The apparatus of claim 74, wherein said extensions are diametrically opposed to each other and spaced apart from one another to provide access to the adjacent vertebral bodies from thin the disc space.

76. The apparatus of claim 74, wherein said extensions have the same height.

77. The apparatus of claim 57, wherein the height of said extension has at least a portion that approximates the surgically corrected height of the disc space between the adjacent vertebral bodies.

78. The apparatus of claim 57, wherein said upper and lower surfaces adapted to contact the adjacent endplates of the adjacent vertebral bodies diverge away from said guard along at least a portion of their length.

79. The apparatus of claim 57, wherein said upper and lower surfaces adapted to contact the endplates of the adjacent vertebral bodies converge away from said guard member along at least a portion of their length.

80. The apparatus of claim 57, further comprising a second passage in said guard for providing access to the disc space and the adjacent vertebral bodies.

81. The apparatus of claim 80, wherein said passage and said second passage are parallel to each other along at least a portion of their length.

82. The apparatus of claim 80, wherein said passage and said second passage converge along at least a portion of their length.

83. The apparatus of claim 80, wherein said passage and said second passage overlap at least in part.

84. The apparatus of claim 80, wherein said passage and said second passage are spaced apart.

85. The apparatus of claim 57, wherein said extension has a tapered leading end to facilitate placement of said extension into the disc space.

86. The apparatus of claim 57, wherein said guard comprises spine engaging portions at said distal end of said guard for holding said guard to the spine.

87. The apparatus of claim 86, wherein said spine engaging portions are selected from at least one of teeth and pins.

88. The apparatus of claim 86, wherein said spine engaging portions are adapted to penetrate the adjacent vertebral bodies.

89. The apparatus of claim 86, wherein at least one of said spine engaging portions has a tapered leading end to facilitate placement of at least one of said spine engaging portions into the spine.

90. The apparatus of claim 86, wherein at least one of said spine engaging portions has upper and lower surfaces that are parallel to each other.

91. The apparatus of claim 86, wherein said spine engaging portions are substantially in line with said side of said guard so that said spine engaging portions do not substantially increase the outer cross-sectional dimension of said guard near the distal end of said guard.

92. The apparatus of claim 57, wherein said extension is substantially in line with said side of said guard.

93. The apparatus of claim 57, in combination with a spinal implant.

94. The apparatus of claim 93, wherein said implant has opposed upper and lower surfaces including at least one opening to permit bone growth from adjacent vertebral body to adjacent vertebral body through said implant.

95. The apparatus of claim 94, wherein said spinal implant is in combination with a fusion promoting material.

96. The apparatus of claim 95, wherein said fusion promoting material is selected from at least one of harvested bone, hydroxyapatite, hydroxyapatite tricalcium phosphate, and bone morphogenetic protein.

97. The apparatus of claim 57, in combination with a bone removal device having a portion sized for movement through said passage for forming through said guard an

implantation space at least in part across the surgically corrected height of the disc space.

98. The combination of claim 57, wherein said bone removal device is one of a drill, a trephine, a reamer, an end mill, a chisel, and a burr.

99. The combination of claim 57, further in combination with a spinal insert adapted for insertion into the implantation space formed by said bone removal device.

100. The combination of claim 99, wherein said spinal insert is one of a dowel, an interbody spinal implant, and an interbody spinal fusion implant.

101. The combination of claim 99, wherein said spinal insert comprises at least in part bone.

102. The combination of claim 99, wherein said spinal insert is a bone graft.

103. The combination of claim 99, further in combination with a fusion promoting substance.

104. The combination of claim 103, wherein said fusion promoting substance is bone.

105. The combination of claim 103, further in combination with a press for compressing said fusion promoting substance into said spinal insert.

106. The combination of claim 99, further in combination with an implant driver configured to insert said spinal insert into the implantation space formed by said bone removal device.

107. The combination of claim 97, further in combination with an instrument for removing from the spine the bone cut by said bone removal device.

108. The apparatus of claim 57, in combination with a tap for insertion through said guard for tapping the two adjacent vertebral bodies.

109. The apparatus of claim 57, in combination with a distractor adapted to urge apart the adjacent vertebral bodies.

110. The combination of claim 109, wherein said distractor is an interbody distractor.

111. The combination of claim 109, further in combination with at least a second distractor, said at least second distractor being differently sized relative to said distractor to form a set of distractors of graduated sizes.

112. An apparatus for use in human spinal surgery across at least a portion of the height of a surgically corrected disc space between two adjacent vertebral bodies of a human spine, said apparatus comprising:

a guard having a passage for providing access to the disc space and the adjacent vertebral bodies, said passage having a maximum height as measured along the longitudinal axis of the human spine, said guard having a proximal end and an opposite distal end and at least one side therebetween, said guard having at least two openings in said side in communication with said passage, said openings including at least two slots; and at least one extension extending from said distal end of said guard adapted to be inserted into the disc space between the adjacent vertebral bodies, said extension having a portion adapted to bear against each of the adjacent endplates of the adjacent vertebral bodies from within the disc space, said portion of said extension having an upper surface adapted to contact one of the adjacent endplates of the adjacent vertebral bodies and a lower surface adapted to contact the other of the adjacent endplates of the adjacent vertebral bodies, said portion of said extension having a height between said upper and lower surfaces and a length sufficient to align and distance apart the adjacent vertebral bodies.

113. The apparatus of claim 112, wherein said openings in said side divide at least a portion of said guard into an upper portion and a lower portion.

114. The apparatus of claim 113, wherein said upper portion and said lower portion of said guard are adapted to move apart from one another to facilitate the insertion of an implant through said passage and into the disc space.

115. The apparatus of claim 112, wherein said guard is a hollow tubular sleeve.

116. The apparatus of claim 112, wherein said guard has a circular cross section.

117. The apparatus of claim 112, wherein said passage has a circular cross section.

118. The apparatus of claim 112, wherein said proximal end of said guard has an increased outer dimension.

119. The apparatus of claim 112, wherein said distal end of said guard is contoured to the curvature of the adjacent vertebral bodies against which said guard is adapted to be placed.

120. The apparatus of claim 112, wherein said guard has a footplate.

121. The apparatus of claim 112, wherein said proximal end of said guard is configured to cooperatively engage an impaction member for receiving an impaction force for driving said guard into the spine.

122. The apparatus of claim 112, further comprising a cap adapted to engage said proximal end of said guard.

123. The apparatus of claim 112, further comprising a removable inner guard.

124. The apparatus of claim 123, wherein said removable inner guard is a hollow tubular sleeve.

125. The apparatus of claim 123, wherein said removable inner guard is adapted to be inserted into said guard.

126. The apparatus of claim 123, wherein said inner guard has a collar at one end larger than said passage of said guard.

127. The apparatus of claim 112, further comprising a second extension extending from said guard adapted to be inserted into the disc space and to bear against the endplates of the adjacent vertebral bodies.

128. The apparatus of claim 127, wherein said extensions are diametrically opposed to each other and spaced apart from one another to provide access to the adjacent vertebral bodies from within the disc space.

129. The apparatus of claim 127, wherein said extensions have the same height.

130. The apparatus of claim 112, wherein the height of said extension has at least a portion that approximates the surgically corrected height of the disc space between the adjacent vertebral bodies.

131. The apparatus of claim 112, wherein said upper and lower surfaces adapted to contact the adjacent end plates of the adjacent vertebral bodies diverge away from said guard along at least a portion of their length.

132. The apparatus of claim 112, wherein said upper and lower surfaces adapted to contact the endplates of the adjacent vertebral bodies converge away from said guard member along at least a portion of their length.

133. The apparatus of claim 112, further comprising a second passage in said guard for providing access to the disc space and the adjacent vertebral bodies.

134. The apparatus of claim 133, wherein said passage and said second passage are parallel to each other along at least a portion of their length.

135. The apparatus of claim 133, wherein said passage and said second passage converge along at least a portion of their length.

136. The apparatus of claim 133, wherein said passage and said second passage overlap at least in part.

137. The apparatus of claim 133, wherein said passage and said second passage are spaced apart.

138. The apparatus of claim 112, wherein said extension has a tapered leading end to facilitate placement of said extension into the disc space.

139. The apparatus of claim 112, wherein said guard comprises spine engaging portions at said distal end of said guard for holding said guard to the spine.

140. The apparatus of claim 139, wherein said spine engaging portions are selected from at least one of teeth and pins.

141. The apparatus of claim 139, wherein said spine engaging portions are adapted to penetrate the adjacent vertebral bodies.

142. The apparatus of claim 139, wherein at least one of said spine engaging portions has a tapered leading end to facilitate placement of at least one of said spine engaging portions into the spine.

143. The apparatus of claim 139, wherein at least one of said spine engaging portions has upper and lower surfaces that are parallel to each other.

144. The apparatus of claim 139, wherein said spine engaging portions are substantially in line with said side of said guard so that said spine engaging portions do not substantially increase the outer cross-sectional dimension of said guard near the distal end of said guard.

145. The apparatus of claim 112, wherein said extension is substantially in line with said side of said guard.

146. The apparatus of claim 112, in combination with a spinal implant.

147. The apparatus of claim 146, wherein said implant has opposed upper and lower surfaces including at least one opening to permit bone growth from adjacent vertebral body to adjacent vertebral body through said implant.

148. The apparatus of claim 146, wherein said spinal implant is in combination with a fusion promoting material.

149. The apparatus of claim 148, wherein said fusion promoting material is selected from at least one of harvested bone, hydroxyapatite, hydroxyapatite tricalcium phosphate, and bone morphogenetic protein.

150. The apparatus of claim 112, in combination with a bone removal device having a portion sized for movement through said passage for forming through said guard an implantation space at least in part across the surgically corrected height of the disc space.

151. The combination of claim 150, wherein said bone removal device is one of a drill, a trephine, a reamer, an end mill, a chisel, and a burr.

152. The combination of claim 150, further in combination with a spinal insert adapted for insertion into the implantation space formed by said bone removal device.

153. The combination of claim 152, wherein said spinal insert is one of a dowel, an interbody spinal implant, and an interbody spinal fusion implant.

154. The combination of claim 152, wherein said spinal insert comprises at least in part bone.

155. The combination of claim 152, wherein said spinal insert is a bone graft.

156. The combination of claim 152, further in combination with a fusion promoting substance.

157. The combination of claim 156, wherein said fusion promoting substance is bone.

158. The combination of claim 156, further in combination with a press for compressing said fusion promoting substance into said spinal insert.

159. The combination of claim 152, further in combination with an implant driver configured to insert said spinal insert into the implantation space formed by said bone removal device.

47

160. The combination of claim **150**, further in combination with an instrument for removing from the spine the bone cut by said bone removal device.

161. The apparatus of claim **112**, in combination with a tap for insertion through said guard for tapping the two adjacent vertebral bodies.

162. The apparatus of claim **112**, in combination with a distractor adapted to urge apart the adjacent vertebral bodies.

163. The combination of claim **162**, wherein said distractor is an interbody distractor.

164. The combination of claim **162**, further in combination with at least a second distractor, said at least second distractor being differently sized relative to said distractor to form a set of distractors of graduated sizes.

165. An apparatus for use in human spinal surgery across at least a portion of the height of a surgically corrected disc space between two adjacent vertebral bodies of a human spine, said apparatus comprising:

a guard having a passage for providing access to the disc space and the adjacent vertebral bodies, said passage having a maximum height as measured along the longitudinal axis of the human spine, said guard having a proximal end and an opposite distal end and at least one side therebetween, said guard having at least two openings in said side in communication with said passage, said openings dividing at least a portion of said guard into an upper portion and a lower portion; and

at least one extension extending from said distal end of said guard adapted to be inserted into the disc space between the adjacent vertebral bodies, said extension having a portion adapted to bear against each of the adjacent endplates of the adjacent vertebral bodies from within the disc space, said portion of said extension having an upper surface adapted to contact one of the adjacent end plates of the adjacent vertebral bodies and a lower surface adapted to contact the other of the adjacent end plates of the adjacent vertebral bodies, said portion of said extension having a height between said upper and lower surfaces and a length sufficient to align and distance apart the adjacent vertebral bodies.

166. The apparatus of claim **165**, wherein at least one of said openings is at least one of a slot and a key-hole.

167. The apparatus of claim **165**, wherein said upper portion and said lower portion of said guard are adapted to move apart from one another to facilitate the insertion of an implant through said passage and into the disc space.

168. The apparatus of claim **165**, wherein said guard is a hollow tubular sleeve.

169. The apparatus of claim **165**, wherein said guard has a circular cross section.

170. The apparatus of claim **165**, wherein said passage has a circular cross section.

171. The apparatus of claim **165**, wherein said proximal end of said guard has an increased outer dimension.

172. The apparatus of claim **165**, wherein said distal end of said guard is contoured to the curvature of the adjacent vertebral bodies against which said guard is adapted to be placed.

173. The apparatus of claim **165**, wherein said guard has a footplate.

174. The apparatus of claim **165**, wherein said proximal end of said guard is configured to cooperatively engage an impaction member for receiving an impaction force for driving said guard into the spine.

175. The apparatus of claim **165**, further comprising a cap adapted to engage said proximal end of said guard.

48

176. The apparatus of claim **165**, further comprising a removable inner guard.

177. The apparatus of claim **176**, wherein said removable inner guard is a hollow tubular sleeve.

178. The apparatus of claim **176**, wherein said removable inner guard is adapted to be inserted into said guard.

179. The apparatus of claim **176**, wherein said inner guard has a collar at one end larger than said passage of said guard.

180. The apparatus of claim **165**, further comprising a second extension extending from said guard adapted to be inserted into the disc space and to bear against the endplates of the adjacent vertebral bodies.

181. The apparatus of claim **180**, wherein said extensions are diametrically opposed to each other and spaced apart from one another to provide access to the adjacent vertebral bodies from within the disc space.

182. The apparatus of claim **180**, wherein said extensions have the same height.

183. The apparatus of claim **165**, wherein the height of said extension has at least a portion that approximates the surgically corrected height of the disc space between the adjacent vertebral bodies.

184. The apparatus of claim **165**, wherein said upper and lower surfaces adapted to contact the adjacent endplates of the adjacent vertebral bodies diverge away from said guard along at least a portion of their length.

185. The apparatus of claim **165**, wherein said upper and lower surfaces adapted to contact the endplates of the adjacent vertebral bodies converge away from said guard member along at least a portion of their length.

186. The apparatus of claim **165**, further comprising a second passage in said guard for providing access to the disc space and the adjacent vertebral bodies.

187. The apparatus of claim **186**, wherein said passage and said second passage are parallel to each other along at least a portion of their length.

188. The apparatus of claim **186**, wherein said passage and said second passage converge along at least a portion of their length.

189. The apparatus of claim **186**, wherein said passage and said second passage overlap at least in part.

190. The apparatus of claim **186**, wherein said passage and said second passage are spaced apart.

191. The apparatus of claim **165**, wherein said extension has a tapered leading end to facilitate placement of said extension into the disc space.

192. The apparatus of claim **165**, wherein said guard comprises spine engaging portions at said distal end of said guard for holding said guard to the spine.

193. The apparatus of claim **192**, wherein said spine engaging portions are selected from at least one of teeth and pins.

194. The apparatus of claim **192**, wherein said spine engaging portions are adapted to penetrate the adjacent vertebral bodies.

195. The apparatus of claim **192**, wherein at least one of said spine engaging portions has a tapered leading end to facilitate placement of at least one of said spine engaging portions into the spine.

196. The apparatus of claim **192**, wherein at least one of said spine engaging portions has upper and lower surfaces that are parallel to each other.

197. The apparatus of claim **192**, wherein said spine engaging portions are substantially in line with said side of said guard so that said spine engaging portions do not substantially increase the outer cross-sectional dimension of said guard near the distal end of said guard.

198. The apparatus of claim 165, wherein said extension is substantially in line with said side of said guard.

199. The apparatus of claim 165, in combination with a spinal implant.

200. The apparatus of claim 199, wherein said implant has opposed upper and lower surfaces including at least one opening to permit bone growth from adjacent vertebral body to adjacent vertebral body through said implant.

201. The apparatus of claim 199, wherein said spinal implant is in combination with a fusion promoting material.

202. The apparatus of claim 201, wherein said fusion promoting material is selected from at least one of harvested bone, hydroxyapatite, hydroxyapatite tricalcium phosphate, and bone morphogenetic protein.

203. The apparatus of claim 165, in combination with a bone removal device having a portion sized for movement through said passage for forming through said guard an implantation space at least in part across the surgically corrected height of the disc space.

204. The combination of claim 203, wherein said bone removal device is one of a drill, a trephine, a reamer, an end mill, a chisel, and a burr.

205. The combination of claim 203, further in combination with a spinal insert adapted for insertion into the implantation space formed by said bone removal device.

206. The combination of claim 205, wherein said spinal insert is one of a dowel, an interbody spinal implant, and an interbody spinal fusion implant.

207. The combination of claim 205, wherein said spinal insert comprises at least in part bone.

208. The combination of claim 205, wherein said spinal insert is a bone graft.

209. The combination of claim 205, further in combination with a fusion promoting substance.

210. The combination of claim 209, wherein said fusion promoting substance is bone.

211. The combination of claim 209, further in combination with a press for compressing said fusion promoting substance into said spinal insert.

212. The combination of claim 205, further in combination with an implant driver configured to insert said spinal insert into the implantation space formed by said bone removal device.

213. The combination of claim 205, further in combination with an instrument for removing from the spine the bone cut by said bone removal device.

214. The apparatus of claim 165, in combination with a tap for insertion through said guard for tapping the two adjacent vertebral bodies.

215. The apparatus of claim 165, in combination with a distractor adapted to urge apart the adjacent vertebral bodies.

216. The combination of claim 215, wherein said distractor is an interbody distractor.

217. The combination of claim 215, further in combination with at least a second distractor, said at least second distractor being differently sized relative to said distractor to form a set of distractors of graduated sizes.

218. An apparatus for use in human spinal surgery across at least a portion of the height of a surgically corrected disc space between two adjacent vertebral bodies of a human spine, said apparatus comprising:

a guard having a passage for providing access to the disc space and the adjacent vertebral bodies, said passage having a maximum height as measured along the longitudinal axis of the human spine, said guard having a proximal end and an opposite distal end and at least one side therebetween, said proximal end having an

increased outer dimension, said guard having at least one opening in said side in communication with said passage; and

at least one extension extending from said distal end of said guard adapted to be inserted into the disc space between the adjacent vertebral bodies said extension having a portion adapted to bear against each of the adjacent endplates of the adjacent vertebral bodies from within the disc space, said portion of said extension having an upper surface adapted to contact one of the adjacent endplates of the adjacent vertebral bodies and a lower surface adapted to contact the other of the adjacent endplates of the adjacent vertebral bodies, said portion of said extension having a height between said upper and lower surfaces and a length sufficient to align and distance apart the adjacent vertebral bodies.

219. The apparatus of claim 218, wherein said opening is at least one of a slot and a key-hole.

220. The apparatus of claim 218, further comprising at least a second opening.

221. The apparatus of claim 218, wherein said guard is a hollow tubular sleeve.

222. The apparatus of claim 218, wherein guard has a circular cross section.

223. The apparatus of claim 218, wherein said passage has a circular cross section.

224. The apparatus of claim 218, wherein said distal end of said guard is contoured to the curvature of the adjacent vertebral bodies against which said guard is adapted to be placed.

225. The apparatus of claim 218, wherein said guard has a footplate.

226. The apparatus of claim 218, wherein said proximal end of said guard is configured to cooperatively engage an impaction member for receiving an impaction force for driving into the spine.

227. The apparatus of claim 218, further comprising a cap adapted to engage said proximal end of said guard.

228. The apparatus of claim 218, further comprising a removable inner guard.

229. The apparatus of claim 228, wherein said removable inner guard is a hollow tubular sleeve.

230. The apparatus of claim 228, wherein said removable inner guard is adapted to be inserted into said guard.

231. The apparatus of claim 228, wherein said inner guard has a collar at one end larger than said passage of said guard.

232. The apparatus of claim 218, further comprising a second extension extending from said guard adapted to be inserted into the disc space and to bear against the endplates of the adjacent vertebral bodies.

233. The apparatus of claim 232, wherein said extensions are diametrically opposed to each other and spaced apart from one another to provide access to the adjacent vertebral bodies from within the disc space.

234. The apparatus of claim 232, wherein said extensions have the same height.

235. The apparatus of claim 218, wherein the height of said extension has at least a portion that approximates the surgically corrected height of the disc space between the adjacent vertebral bodies.

236. The apparatus of claim 218, wherein said upper and lower surfaces adapted to contact the adjacent endplates of the adjacent vertebral bodies diverge away from said guard along at least a portion of their length.

237. The apparatus of claim 218, wherein said upper and lower surfaces adapted to contact the end plates of the adjacent vertebral bodies converge away from said guard member along at least a portion of their length.

51

238. The apparatus of claim 218, further comprising a second passage in said guard for providing access to the disc space and the adjacent vertebral bodies.

239. The apparatus of claim 238, wherein said passage and said second passage are parallel to each other along at least a portion of their length.

240. The apparatus of claim 238, wherein said passage and said second passage converge along at least a portion of their length.

241. The apparatus of claim 238, wherein said passage and said second passage overlap at least in part.

242. The apparatus of claim 238, wherein said passage and said second passage are spaced apart.

243. The apparatus of claim 218, wherein said extension has a tapered leading end to facilitate placement of said extension into the disc space.

244. The apparatus of claim 218, wherein said guard comprises spine engaging portions at said distal end of said guard for holding said guard to the spine.

245. The apparatus of claim 244, wherein said spine engaging portions are selected from at least one of teeth and pins.

246. The apparatus of claim 244, wherein said spine engaging portions are adapted to penetrate the adjacent vertebral bodies.

247. The apparatus of claim 244, wherein at least one of said spine engaging portions has a tapered leading end to facilitate placement of at least one of said spine engaging portions into the spine.

248. The apparatus of claim 244, wherein at least one of said spine engaging portions has upper and lower surfaces that are parallel to each other.

249. The apparatus of claim 244, wherein said spine engaging portions are substantially in line with said side of said guard so that said spine engaging portions do not substantially increase the outer cross-sectional dimension of said guard near the distal end of said guard.

250. The apparatus of claim 218, wherein said extension is substantially in line with said side of said guard.

251. The apparatus of claim 218, in combination with a spinal implant.

252. The apparatus of claim 251, wherein said implant has opposed upper and lower surfaces including at least one opening to permit bone growth from adjacent vertebral body to adjacent vertebral body through said implant.

253. The apparatus of claim 251, wherein said spinal implant is in combination with a fusion promoting material.

254. The apparatus of claim 253, wherein said fusion promoting material is selected from at least one of harvested bone, hydroxyapatite, hydroxyapatite tricalcium phosphate, and bone morphogenetic protein.

255. The apparatus of claim 218, in combination with a bone removal device having a portion sized for movement through said passage for forming through said guard an implantation space at least in part across the surgically corrected height of the disc space.

256. The combination of claim 255, wherein said bone removal device is one of a drill, a trephine, a reamer, an en a chisel, and a burr.

257. The combination of claim 255, further in combination with a spinal insert adapted for insertion into the implantation space formed by said bone removal device.

258. The combination of claim 257, wherein said spinal insert is one of a dowel, an interbody spinal implant, and interbody spinal fusion implant.

259. The combination of claim 257, wherein said spinal insert comprises at least in part bone.

52

260. The combination of claim 257, wherein said spinal insert is a bone graft.

261. The combination of claim 257, further in combination with a fusion promoting substance.

262. The combination of claim 261, wherein said fusion promoting substance is bone.

263. The combination of claim 261, further in combination with a press for compressing said fusion promoting substance into said spinal insert.

264. The combination of claim 257, further in combination with an implant driver configured to insert said spinal insert into the implantation space formed by said bone removal device.

265. The combination of claim 255, further in combination with an instrument for removing from the spine the bone cut by said bone removal device.

266. The apparatus of claim 218, in combination with a tap for insertion through said guard for tapping the two adjacent vertebral bodies.

267. The apparatus of claim 218, in combination with a distractor adapted to urge apart the adjacent vertebral bodies.

268. The combination of claim 267, wherein said distractor is an interbody distractor.

269. The combination of claim 267, further in combination with at least a second distractor, said at least second distractor being differently sized relative to said distractor to form a set of distractors of graduated sizes.

270. An apparatus for use in human spinal surgery across at least a portion of the height of a surgically corrected disc space between two adjacent vertebral bodies of a human spine, said apparatus comprising:

a guard having a passage for providing access to the disc space and the adjacent vertebral bodies, said passage having a maximum height as measured along the longitudinal axis of the human spine, said guard having a proximal end and an opposite distal end and at least one side therebetween, said distal end being contoured to the curvature of the adjacent vertebral bodies against which said guard is adapted to be placed, said guard having at least one opening in said side in communication with said passage; and

at least one extension extending from said distal end of said guard adapted to be inserted into the disc space between the adjacent vertebral bodies, said extension having a portion adapted to bear against each of the adjacent endplates of the adjacent vertebral bodies from within the disc space, said portion of said extension having an upper surface adapted to contact one of the adjacent endplates of the adjacent vertebral bodies and a lower surface adapted to contact the other of the adjacent endplates of the adjacent vertebral bodies, said portion of said extension having a height between said upper and lower surfaces and a length sufficient to align and distance apart the adjacent vertebral bodies.

271. The apparatus of claim 270, wherein said opening is at least one of a slot and a key-hole.

272. The apparatus of claim 270, further comprising at least a second opening.

273. The apparatus of claim 270, wherein said guard is a hollow tubular sleeve.

274. The apparatus of claim 270, wherein said guard has a circular cross section.

275. The apparatus of claim 270, wherein said passage has a circular cross section.

276. The apparatus of claim 270, wherein said guard has a footplate.

277. The apparatus of claim 270, wherein said proximal end of said guard is configured to cooperatively engage an

impaction member for receiving an impaction force for driving said guard into the spine.

278. The apparatus of claim 270, further comprising a cap adapted to engage said proximal end of said guard.

279. The apparatus of claim 270, further comprising a removable inner guard.

280. The apparatus of claim 279, wherein said removable inner guard is a hollow tubular sleeve.

281. The apparatus of claim 279, wherein said removable inner guard is adapted to be inserted into said guard.

282. The apparatus of claim 279, wherein said inner guard has a collar at one end larger than said passage of said guard.

283. The apparatus of claim 270, further comprising a second extension extending from said guard adapted to be inserted into the disc space and to bear against the end plates of the adjacent vertebral bodies.

284. The apparatus of claim 283, wherein said extensions are diametrically opposed to each other and spaced apart from one another to provide access to the adjacent vertebral bodies from within the disc space.

285. The apparatus of claim 283, wherein said extensions have the same height.

286. The apparatus of claim 270, wherein the height of said extension has at least a portion that approximates the surgically corrected height of the disc space between the adjacent vertebral bodies.

287. The apparatus of claim 270, wherein said upper and lower surfaces adapted to contact the adjacent endplates of the adjacent vertebral bodies diverge away from said guard along at least a portion of their length.

288. The apparatus of claim 270, wherein said upper and lower surfaces adapted to contact the end plates of the adjacent vertebral bodies converge away from said guard member along at least a portion of their length.

289. The apparatus of claim 270, further comprising a second passage in said guard for providing access to the disc space and the adjacent vertebral bodies.

290. The apparatus of claim 289, wherein said passage and said second passage are parallel to each other along at least a portion of their length.

291. The apparatus of claim 289, wherein said passage and said second passage converge along at least a portion of their length.

292. The apparatus of claim 289, wherein said passage and said second passage overlap at least in part.

293. The apparatus of claim 289, wherein said passage and said second passage are spaced apart.

294. The apparatus of claim 270, wherein said extension has a tapered leading end to facilitate placement of said extension into the disc space.

295. The apparatus of claim 270, wherein said guard comprises spine engaging portions at said distal end of said guard for holding said guard to the spine.

296. The apparatus of claim 295, wherein said spine engaging portions are selected from at least one of teeth and pins.

297. The apparatus of claim 295, wherein said spine engaging portions are adapted to penetrate the adjacent vertebral bodies.

298. The apparatus of claim 295, wherein at least one of said spine engaging portions has a tapered leading end to facilitate placement of at least one of said spine engaging portions into spine.

299. The apparatus of claim 295, wherein at least one of said spine engaging portions has upper and lower surfaces that are parallel to each other.

300. The apparatus of claim 295, wherein said spine engaging portions are substantially in line with said side of

said guard so that said spine engaging portions do not substantially increase the outer cross-sectional dimension of said guard near the distal end of said guard.

301. The apparatus of claim 270, wherein said extension is substantially in line with said side of said guard.

302. The apparatus of claim 270, in combination with a spinal implant.

303. The apparatus of claim 302, wherein said implant has opposed upper and lower surfaces including at least one opening to permit bone growth from adjacent vertebral body to adjacent vertebral body through said implant.

304. The apparatus of claim 302, wherein said spinal implant is in combination with a fusion promoting material.

305. The apparatus of claim 304, wherein said fusion promoting material is selected from at least one of harvested bone, hydroxyapatite, hydroxyapatite tricalcium phosphate, and bone morphogenetic protein.

306. The apparatus of claim 270, in combination with a bone removal device having a portion sized for movement through said passage for forming through said guard an implantation space at least in part across the surgically corrected height of the disc space.

307. The combination of claim 306 wherein said bone removal device is one of a drill, a trephine, a reamer, an end mill, a chisel, and a burr.

308. The combination of claim 306, further in combination with a spinal insert adapted for insertion into the implantation space formed by said bone removal device.

309. The combination of claim 308, wherein said spinal insert is one of a dowel, an interbody spinal implant, and an interbody spinal fusion implant.

310. The combination of claim 308, wherein said spinal insert comprises at least in part bone.

311. The combination of claim 308, wherein said spinal insert is a bone graft.

312. The combination of claim 308, further in combination with a fusion promoting substance.

313. The combination of claim 312, wherein said fusion promoting substance is bone.

314. The combination of claim 312, further in combination with a press for compressing said fusion promoting substance into said spinal insert.

315. The combination of claim 308, further in combination with an implant driver configured to insert said spinal insert into the implantation space formed by said bone removal device.

316. The combination of claim 306, further in combination with an instrument for removing from the spine the bone cut by said bone removal device.

317. The apparatus of claim 270, in combination with a tap for insertion through said guard for tapping the two adjacent vertebral bodies.

318. The apparatus of claim 270, in combination with a distractor adapted to urge apart the adjacent vertebral bodies.

319. The combination of claim 318, wherein said distractor is an interbody distractor.

320. The combination of claim 318, further in combination with at least a second distractor, said at least second distractor being differently sized relative to said distractor to form a set of distractors of graduated sizes.

321. An apparatus for use in human spinal surgery across at least a portion of the height of a surgically corrected disc space between two adjacent vertebral bodies of a human spine, said apparatus comprising:

a guard having a passage for providing access to the disc space and the adjacent vertebral bodies, said passage having a maximum height as measured along the

55

longitudinal axis of the human spine, said guard having a proximal end and an opposite distal end and at least one side therebetween, said guard having at least one opening in said side in communication with said passage, said guard having a footplate; and
 at least one extension extending from said distal end of said guard adapted to be inserted into the disc space between the adjacent vertebral bodies, said extension having a portion adapted to bear against each of the adjacent endplates of the adjacent vertebral bodies from within the disc space, said portion of said extension having an upper surface adapted to contact one of the adjacent endplates of the adjacent vertebral bodies and a lower surface adapted to contact the other of the adjacent endplates of the adjacent vertebral bodies, said portion of said extension having a height between said upper and lower surfaces and a length sufficient to align and distance apart the adjacent vertebral bodies.

322. The apparatus of claim **321**, wherein said opening is at least one of a slot and a key-hole.

323. The apparatus of claim **321**, further comprising at least a second opening.

324. The apparatus of claim **321**, wherein said guard is a hollow tubular sleeve.

325. The apparatus of claim **321**, wherein said guard has a circular cross section.

326. The apparatus of claim **321**, wherein said passage has a circular cross section.

327. The apparatus of claim **321**, wherein said proximal end of said guard is configured to cooperatively engage an impaction member for receiving an impaction force for driving said guard into the spine.

328. The apparatus of claim **321**, further comprising a cap adapted to engage said proximal end of said guard.

329. The apparatus of claim **321**, further comprising a removable inner guard.

330. The apparatus of claim **329**, wherein said removable inner guard is a hollow tubular sleeve.

331. The apparatus of claim **329**, wherein said removable inner guard is adapted to be inserted into said guard.

332. The apparatus of claim **329**, wherein said inner guard has a collar at one end larger than said passage of said guard.

333. The apparatus of claim **321**, further comprising a second extension extending from said guard adapted to be inserted into the disc space and to bear against the endplates of the adjacent vertebral bodies.

334. The apparatus of claim **333**, wherein said extensions are diametrically opposed to each other and spaced apart from one another to provide access to the adjacent vertebral bodies from within the disc space.

335. The apparatus of claim **333**, wherein said extensions have the same height.

336. The apparatus of claim **321**, wherein the height of said extension has at least a portion that approximates the surgically corrected height of the disc space between the adjacent vertebral bodies.

337. The apparatus of claim **321**, wherein said upper and lower surfaces adapted to contact the adjacent end plates of the adjacent vertebral bodies diverge away from said guard along at least a portion of their length.

338. The apparatus of claim **321**, wherein said upper and lower surfaces adapted to contact the endplates of the adjacent vertebral bodies converge away from said guard member along at least a portion of their length.

339. The apparatus of claim **321**, further comprising a second passage in said guard for providing access to the disc space and the adjacent vertebral bodies.

56

340. The apparatus of claim **339**, wherein said passage and said second passage are parallel to each other along at least a portion of their length.

341. The apparatus of claim **339**, wherein said passage and said second passage converge along at least a portion of their length.

342. The apparatus of claim **339**, wherein said passage and said second passage overlap at least in part.

343. The apparatus of claim **339**, wherein said passage and said second passage are spaced apart.

344. The apparatus of claim **321**, wherein said extension has a tapered leading end to facilitate placement of said extension into the disc space.

345. The apparatus of claim **321**, wherein said guard comprises spine engaging portions at said distal end of said guard for holding said guard to the spine.

346. The apparatus of claim **345**, wherein said spine engaging portions are selected from at least one of teeth and pins.

347. The apparatus of claim **345**, wherein said spine engaging portions are adapted to penetrate the adjacent vertebral bodies.

348. The apparatus of claim **345**, wherein at least one of said spine engaging portions has a tapered leading end to facilitate placement of at least one of said spine engaging portions into the spine.

349. The apparatus of claim **345**, wherein at least one of said spine engaging portions has upper and lower surfaces that are parallel to each other.

350. The apparatus of claim **345**, wherein said spine engaging portions are substantially in line with said side of said guard so that said spine engaging portions do not substantially increase the outer cross-sectional dimension of said guard near the distal end of said guard.

351. The apparatus of claim **321**, wherein said extension is substantially in line with said side of said guard.

352. The apparatus of claim **321**, in combination with a spinal implant.

353. The apparatus of claim **352**, wherein said implant has opposed upper and lower surfaces including at least one opening to permit bone growth from adjacent vertebral body to adjacent vertebral body through said implant.

354. The apparatus of claim **352**, wherein said spinal implant is in combination with a fusion promoting material.

355. The apparatus of claim **354**, wherein said fusion promoting material is selected from at least one of harvested bone, hydroxyapatite, hydroxyapatite tricalcium phosphate, and bone morphogenetic protein.

356. The apparatus of claim **321**, in combination with a bone removal device having a portion sized for movement through said passage for forming through said guard an implantation space at least in part across the surgically corrected height of the disc space.

357. The combination of claim **356**, wherein said bone removal device is one of a drill, a trephine, a reamer, an end mill, a chisel, and a burr.

358. The combination of claim **356**, further in combination with a spinal insert adapted for insertion into the implantation space formed by said bone removal device.

359. The combination of claim **358**, wherein said spinal insert is one of a dowel, an interbody spinal implant, and interbody spinal fusion implant.

360. The combination of claim **358**, wherein said spinal insert comprises at least in part bone.

361. The combination of claim **358**, wherein said spinal insert is a bone graft.

362. The combination of claim **358**, further in combination with a fusion promoting substance.

57

363. The combination of claim **362**, wherein said fusion promoting substance is bone.

364. The combination of claim **362**, further in combination with a press for compressing said fusion promoting substance into said spinal insert.

365. The combination of claim **358**, further in combination with an implant driver configured to insert said spinal insert into the implantation space formed by said bone removal device.

366. The combination of claim **356**, further in combination with an instrument for removing from the spine the bone cut by said bone removal device.

367. The apparatus of claim **321**, in combination with a tap for insertion through said guard for tapping the two adjacent vertebral bodies.

368. The apparatus of claim **321**, in combination with a distractor adapted to urge apart the adjacent vertebral bodies.

369. The combination of claim **368**, wherein said distractor is an interbody distractor.

370. The combination of claim **368**, further in combination with at least a second distractor, said at least second distractor being differently sized relative to said distractor to form a set of distractors of graduated sizes.

371. An apparatus for use in human spinal surgery across at least a portion of the height of a surgically corrected disc space between two adjacent vertebral bodies of a human spine, said apparatus comprising:

a guard having a passage for providing access to the disc space and the adjacent vertebral bodies, said passage having a maximum height as measured along the longitudinal axis of the human spine, said guard having a proximal end and an opposite distal end and at least one side therebetween, said guard having at least one opening in said side in communication with said passage;

at least one extension extending from said distal end of said guard adapted to be inserted into the disc space between the adjacent vertebral bodies, said extension having a portion adapted to bear against each of the adjacent endplates of the adjacent vertebral bodies from within the disc space, said portion of said extension having an upper surface adapted to contact one of the adjacent endplates of the adjacent vertebral bodies and a lower surface adapted to contact the other of the adjacent endplates of the adjacent vertebral bodies, said portion of said extension having a height between said upper and lower surfaces and a length sufficient to align and distance apart the adjacent vertebral bodies; and a removable inner hollow tubular sleeve.

372. The apparatus of claim **371**, wherein said opening is at least one of a slot and a key-hole.

373. The apparatus of claim **371**, further comprising at least a second opening.

374. The apparatus of claim **371**, wherein said guard is a hollow tubular sleeve.

375. The apparatus of claim **371**, wherein said guard has a circular cross section.

376. The apparatus of claim **371**, wherein said passage has a circular cross section.

377. The apparatus of claim **371**, wherein said proximal end of said guard is configured to cooperatively engage an impaction member for receiving an impaction force for driving said guard into the spine.

378. The apparatus of claim **371**, further comprising a cap adapted to engage said proximal end of said guard.

379. The apparatus of claim **371**, wherein said removable inner sleeve is adapted to be inserted into said guard.

58

380. The apparatus of claim **371**, wherein said inner sleeve has a collar at one end larger than said passage of said guard.

381. The apparatus of claim **371**, further comprising a second extension extending from said guard adapted to be inserted into the disc space and to bear against the endplates of the adjacent vertebral bodies.

382. The apparatus of claim **381**, wherein said extensions are diametrically opposed to each other and spaced apart from one another to provide access to the adjacent vertebral bodies from within the disc space.

383. The apparatus of claim **381**, wherein said extensions have the same height.

384. The apparatus of claim **371**, wherein the height of said extension has at least a portion that approximates the surgically corrected height of the disc space between the adjacent vertebral bodies.

385. The apparatus of claim **371**, wherein said upper and lower surfaces adapted to contact the adjacent end plates of the adjacent vertebral bodies diverge away from said guard along at least a portion of their length.

386. The apparatus of claim **371**, wherein said upper and lower surfaces adapted to contact the endplates of the adjacent vertebral bodies converge away from said guard member along at least a portion of their length.

387. The apparatus of claim **371**, further comprising a second passage in said guard for providing access to the disc space and the adjacent vertebral bodies.

388. The apparatus of claim **387**, wherein said passage and said second passage are parallel to each other along at least a portion of their length.

389. The apparatus of claim **387**, wherein said passage and said second passage converge along at least a portion of their length.

390. The apparatus of claim **387**, wherein said passage and said second passage overlap at least in part.

391. The apparatus of claim **387**, wherein said passage and said second passage are spaced apart.

392. The apparatus of claim **371**, wherein said extension has a tapered leading end to facilitate placement of said extension into the disc space.

393. The apparatus of claim **371**, wherein said guard comprises spine engaging portions at said distal end of said guard for holding said guard to the spine.

394. The apparatus of claim **393**, wherein said spine engaging portions are selected from at least one of teeth and pins.

395. The apparatus of claim **393**, wherein said spine engaging portions are adapted to penetrate the adjacent vertebral bodies.

396. The apparatus of claim **393**, wherein at least one of said spine engaging portions has a tapered leading end to facilitate placement of at least one of said spine engaging portions into the spine.

397. The apparatus of claim **393**, wherein at least one of said spine engaging portions has upper and lower surfaces that are parallel to each other.

398. The apparatus of claim **393**, wherein said spine engaging portions are substantially in line with said side of said guard so that said spine engaging portions do not substantially increase the outer cross-sectional dimension of said guard near the distal end of said guard.

399. The apparatus of claim **371**, wherein said extension is substantially in line with said side of said guard.

400. The apparatus of claim **371**, in combination with a spinal implant.

401. The apparatus of claim **400**, wherein said implant has opposed upper and lower surfaces including at least one

59

opening to permit bone growth from adjacent vertebral body to adjacent vertebral body through said implant.

402. The apparatus of claim **400**, wherein said spinal implant is in combination with a fusion promoting material.

403. The apparatus of claim **402**, wherein said fusion promoting material is selected from at least one of harvested bone, hydroxyapatite, hydroxyapatite tricalcium phosphate, and bone morphogenetic protein.

404. The apparatus of claim **371**, in combination with a bone removal device having a portion sized for movement through said passage for forming through said guard an implantation space at least in part across the surgically corrected height of the disc space.

405. The combination of claim **404**, wherein said bone removal device is one of a drill, a trephine, a reamer, an end mill, a chisel, and a burr.

406. The combination of claim **404**, further in combination with a spinal insert adapted for insertion into the implantation space formed by said bone removal device.

407. The combination of claim **406**, wherein said spinal insert is one of a dowel, an interbody spinal implant, and an interbody spinal fusion implant.

408. The combination of claim **406**, wherein said spinal insert comprises at least in part bone.

409. The combination of claim **406**, wherein said spinal insert is a bone graft.

410. The combination of claim **406**, further in combination with a fusion promoting substance.

411. The combination of claim **410**, wherein said fusion promoting substance is bone.

412. The combination of claim **410**, further in combination with a press for compressing said fusion promoting substance into said spinal insert.

413. The combination of claim **406**, further in combination with an implant driver configured to insert said spinal insert into the implantation space formed by said bone removal device.

414. The combination of claim **404**, further in combination with an instrument for removing from the spine the bone cut by said bone removal device.

415. The apparatus of claim **371**, in combination with a tap for insertion through said guard for tapping the two adjacent vertebral bodies.

416. The apparatus of claim **371**, in combination with a distractor adapted to urge apart the adjacent vertebral bodies.

417. The combination of claim **416**, wherein said distractor is an interbody distractor.

418. The combination of claim **416**, further in combination with at least a second distractor, said at least second distractor being differently sized relative to said distractor to form a set of distractors of graduated sizes.

419. An apparatus for use in human spinal surgery across at least a portion of the height of a surgically corrected disc space between two adjacent vertebral bodies of a human spine, said apparatus comprising:

a guard having a passage for providing access to the disc space and the adjacent vertebral bodies, said passage having a maximum height as measured along the longitudinal axis of the human spine, said guard having a proximal end and an opposite distal end and at least one side therebetween, said guard having at least one opening in said side in communication with said passage; and

at least two extensions extending from said distal end of said guard adapted to be inserted into the disc space between the adjacent vertebral bodies, said extensions having a portion adapted to bear against each of the

60

adjacent endplates of the adjacent vertebral bodies from within the disc space, said portion of said extensions having an upper surface adapted to contact one of the adjacent end plates of the adjacent vertebral bodies and a lower surface adapted to contact the other of the adjacent end plates of the adjacent vertebral bodies, said portion of said extensions having a height between said upper and lower surfaces and a length sufficient to align and distance apart the adjacent vertebral bodies.

420. The apparatus of claim **419**, wherein said opening is at least one of a slot and a key-hole.

421. The apparatus of claim **419**, further comprising at least a second opening.

422. The apparatus of claim **419**, wherein said guard is a hollow tubular sleeve.

423. The apparatus of claim **419**, wherein said guard has a circular cross section.

424. The apparatus of claim **419**, wherein said passage has a circular cross section.

425. The apparatus of claim **419**, wherein said proximal end of said guard is configured to cooperatively engage an impaction member for receiving an impaction force for driving said guard into the spine.

426. The apparatus of claim **419**, further comprising a cap adapted to engage said proximal end of said guard.

427. The apparatus of claim **419**, wherein said extensions are diametrically opposed to each other and spaced apart from one another to provide access to the adjacent vertebral bodies from within the disc space.

428. The apparatus of claim **419**, wherein said extensions have the same height.

429. The apparatus of claim **419**, wherein the height of said extensions has at least a portion that approximates the surgically corrected height of the disc space between the adjacent vertebral bodies.

430. The apparatus of claim **419**, wherein said upper and lower surfaces adapted to contact the adjacent endplates of the adjacent vertebral bodies diverge away from said guard along at least a portion of their length.

431. The apparatus of claim **419**, wherein said upper and lower surfaces adapted to contact the endplates of the adjacent vertebral bodies converge away from said guard member along at least a portion of their length.

432. The apparatus of claim **419**, further comprising a second passage in said guard for providing access to the disc space and the adjacent vertebral bodies.

433. The apparatus of claim **432**, wherein said passage and said second passage are parallel to each other along at least a portion of their length.

434. The apparatus of claim **432**, wherein said passage and said second passage converge along at least a portion of their length.

435. The apparatus of claim **432**, wherein said passage and said second passage overlap at least in part.

436. The apparatus of claim **432**, wherein said passage and said second passage are spaced apart.

437. The apparatus of claim **419**, wherein said extensions have a tapered leading end to facilitate placement of said extensions into the disc space.

438. The apparatus of claim **419**, wherein said guard comprises spine engaging portions at said distal end of said guard for holding said guard to the spine.

439. The apparatus of claim **438**, wherein said spine engaging portions are selected from at least one of teeth and pins.

440. The apparatus of claim **438**, wherein said spine engaging portions are adapted to penetrate the adjacent vertebral bodies.

61

441. The apparatus of claim 438, wherein at least one of said spine engaging portions has a tapered leading end to facilitate placement of at least one of said spine engaging portions into the spine.

442. The apparatus of claim 438, wherein at least one of said spine engaging portions has upper and lower surfaces that are parallel to each other.

443. The apparatus of claim 438, wherein said spine engaging portions are substantially in line with said side of said guard so that said spine engaging portions do not substantially increase the outer cross-sectional dimension of said guard near the distal end of said guard.

444. The apparatus of claim 419, wherein said extensions are substantially in line with said side of said guard.

445. The apparatus of claim 419, in combination with a spinal implant.

446. The apparatus of claim 445, wherein said implant has opposed upper and lower surfaces including at least one opening to permit bone growth from adjacent vertebral body to adjacent vertebral body through said implant.

447. The apparatus of claim 445, wherein said spinal implant is in combination with a fusion promoting material.

448. The apparatus of claim 447, wherein said fusion promoting material is selected from at least one of harvested bone, hydroxyapatite, hydroxyapatite tricalcium phosphate, and bone morphogenetic protein.

449. The apparatus of claim 419, in combination with a bone removal device having a portion sized for movement through said passage for forming through said guard an implantation space at least in part across the surgically corrected height of the disc space.

450. The combination of claim 449, wherein said bone removal device is one of a drill, a trephine, a reamer, an end mill, a chisel, and a burr.

451. The combination of claim 449, further in combination with a spinal insert adapted for insertion into the implantation space formed by said bone removal device.

452. The combination of claim 451, wherein said spinal insert is one of a dowel, an interbody spinal implant, and an interbody spinal fusion implant.

453. The combination of claim 451, wherein said spinal insert comprises at least in part bone.

454. The combination of claim 451, wherein said spinal insert is a bone graft.

455. The combination of claim 451, further in combination with a fusion promoting substance.

456. The combination of claim 455, wherein said fusion promoting substance is bone.

457. The combination of claim 455, further in combination with a press for compressing said fusion promoting substance into said spinal insert.

458. The combination of claim 451, further in combination with an implant driver configured to insert said spinal insert into the implantation space formed by said bone removal device.

459. The combination of claim 449, further in combination with an instrument for removing from the spine the bone cut by said bone removal device.

460. The apparatus of claim 419, in combination with a tap for insertion through said guard for tapping the two adjacent vertebral bodies.

461. The apparatus of claim 419, in combination with a distractor adapted to urge apart the adjacent vertebral bodies.

462. The combination of claim 461, wherein said distractor is an interbody distractor.

463. The combination of claim 461, further in combination with at least a second distractor, said at least second

62

distractor being differently sized relative to said distractor to form a set of distractors of graduated sizes.

464. An apparatus for use in human spinal surgery across at least a portion of the height of a surgically corrected disc space between two adjacent vertebral bodies of a human spine, said apparatus comprising:

a guard having first and second passages for providing access to the disc space and the adjacent vertebral bodies, said first and second passages having a maximum height as measured along the longitudinal axis of the human spine, said guard having a proximal end and an opposite distal end and at least one side therebetween, said guard having at least one opening in said side in communication with at least one of said first and second passages; and

at least one extension extending from said distal end of said guard adapted to be inserted into the disc space between the adjacent vertebral bodies, said extension having a portion adapted to bear against each of the adjacent endplates of the adjacent vertebral bodies from within the disc space, said portion of said extension having an upper surface adapted to contact one of the adjacent end plates of the adjacent vertebral bodies and a lower surface adapted to contact the other of the adjacent end plates of the adjacent vertebral bodies, said portion of said extension having a height between said upper and lower surfaces and a length sufficient to align and distance apart the adjacent vertebral bodies.

465. The apparatus of claim 464, wherein said opening is at least one of a slot and a key-hole.

466. The apparatus of claim 464, further comprising at least a second opening.

467. The apparatus of claim 464, wherein said guard is a hollow tubular sleeve.

468. The apparatus of claim 464, wherein said guard has a circular cross section.

469. The apparatus of claim 464, wherein at least one of said first and second passages has a circular cross section.

470. The apparatus of claim 464, wherein said proximal end of said guard is configured to cooperatively engage an impact member for receiving an impact force for driving said guard into the spine.

471. The apparatus of claim 464, further comprising a cap adapted to engage said proximal end of said guard.

472. The apparatus of claim 464, wherein the height of said extension has at least a portion that approximates the surgically corrected height of the disc space between the adjacent vertebral bodies.

473. The apparatus of claim 464, wherein said upper and lower surfaces adapted to contact the adjacent endplates of the adjacent vertebral bodies diverge away from said guard along at least a portion of their length.

474. The apparatus of claim 464, wherein said upper and lower surfaces adapted to contact the endplates of the adjacent vertebral bodies converge away from said guard member along at least a portion of their length.

475. The apparatus of claim 464, wherein said first and second passages are parallel to each other along at least a portion of their length.

476. The apparatus of claim 464, wherein said first and second passages converge along at least a portion of their length.

477. The apparatus of claim wherein said first and second passages overlap at least in part.

478. The apparatus of claim 464, wherein said first and second passages are spaced apart.

479. The apparatus of claim 464, wherein said extension has a tapered leading end to facilitate placement of said extension into the disc space.

63

480. The apparatus of claim **464**, wherein said guard comprises spine engaging portions at said distal end of said guard for holding said guard to the spine.

481. The apparatus of claim **480**, wherein said spine engaging portions are selected from at least one of teeth and pins.

482. The apparatus of claim **480**, wherein said spine engaging portions are adapted to penetrate the adjacent vertebral bodies.

483. The apparatus of claim **480**, wherein at least one of said spine engaging portions has a tapered leading end to facilitate placement of at least one of said spine engaging portions into the spine.

484. The apparatus of claim **480**, wherein at least one of said spine engaging portions has upper and lower surfaces that are parallel to each other.

485. The apparatus of claim **480**, wherein said spine engaging portions are substantially in line with said side of said guard so that said spine engaging portions do not substantially increase the outer cross-sectional dimension of said guard near the distal end of said guard.

486. The apparatus of claim **464**, wherein said extension is substantially in line with said side of said guard.

487. The apparatus of claim **464**, in combination with a spinal implant.

488. The apparatus of claim **487**, wherein said implant has opposed upper and lower surfaces including at least one opening to permit bone growth from adjacent vertebral body to adjacent vertebral body through said implant.

489. The apparatus of claim **486**, wherein said spinal implant is in combination with a fusion promoting material.

490. The apparatus of claim **487**, wherein said fusion promoting material is selected from at least one of harvested bone, hydroxyapatite, hydroxyapatite tricalcium phosphate, and bone morphogenetic protein.

491. The apparatus of claim **464**, in combination with a bone removal device having a portion sized for movement through at least one of said first and second passages for forming through said guard an implantation space at least in part across the surgically corrected height of the disc space.

64

492. The combination of claim **491**, wherein said bone removal device is one of a drill, a trephine, a reamer, an end mill, a chisel, and a burr.

493. The combination of claim **491**, further in combination with a spinal insert adapted for insertion into the implantation space formed by said bone removal device.

494. The combination of claim **493**, wherein said spinal insert is one of a dowel, an interbody spinal implant, and an interbody spinal fusion implant.

495. The combination of claim **493**, wherein said spinal insert comprises at least in part bone.

496. The combination of claim **493**, wherein said spinal insert is a bone graft.

497. The combination of claim **493**, further in combination with a fusion promoting substance.

498. The combination of claim **497**, wherein said fusion promoting substance is bone.

499. The combination of claim **497**, further in combination with a press for compressing said fusion promoting substance into said spinal insert.

500. The combination of claim **493**, further in combination with an implant driver configured to insert said spinal insert into the implantation space formed by said bone removal device.

501. The combination of claim **491**, further in combination with an instrument for removing from the spine the bone cut by said bone removal device.

502. The apparatus of claim **464**, in combination with a tap for insertion through said guard for tapping the two adjacent vertebral bodies.

503. The apparatus of claim **464**, in combination with a distractor adapted to urge apart the adjacent vertebral bodies.

504. The combination of claim **503**, wherein said distractor is an interbody distractor.

505. The combination of claim **503**, further in combination with at least a second distractor, said at least second distractor being differently sized relative to said distractor to form a set of distractors of graduated sizes.

* * * * *

UNITED STATES PATENT AND TRADEMARK OFFICE
CERTIFICATE OF CORRECTION

PATENT NO. : 6,770,074 B2
DATED : August 3, 2004
INVENTOR(S) : Gary Karlin Michelson

Page 1 of 2

It is certified that error appears in the above-identified patent and that said Letters Patent is hereby corrected as shown below:

Column 40,

Lines 30 and 34, change "end plates" to -- endplates --.

Column 42,

Line 17, change "end plates" to -- endplates --;
Line 22, change "key hole" to -- key-hole --; and
Line 67, change "thin" to -- within --.

Column 44,

Lines 3 and 6, change "57" to -- 97 --.

Column 45,

Line 48, change "end plates" to -- endplates --.

Column 47,

Lines 36 and 38, change "end plates" to -- endplates --.

Column 50,

Line 6, change "bodies" to -- bodies, --;
Line 36, after "driving" insert -- said guard --; and
Line 66, change "end plates" to -- endplates --.

Column 51,

Line 64, after "and" insert -- an --.

Column 53,

Lines 15 and 32, change "end plates" to -- endplates --; and
Line 63, after "into" insert -- the --.

Column 55,

Line 58, change "end plates" to -- endplates --.

Column 56,

Line 26, change "pine" to -- spine --; and
Line 61, after "and" insert -- an --.

UNITED STATES PATENT AND TRADEMARK OFFICE
CERTIFICATE OF CORRECTION

PATENT NO. : 6,770,074 B2
DATED : August 3, 2004
INVENTOR(S) : Gary Karlin Michelson

Page 2 of 2

It is certified that error appears in the above-identified patent and that said Letters Patent is hereby corrected as shown below:

Column 58,

Line 19, change "end plates" to -- endplates --.

Column 59,

Line 53, change "east" to -- least --.

Column 60,

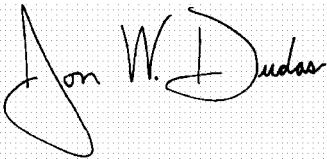
Lines 4 and 6, change "end plates" to -- endplates --.

Column 62,

Lines 23 and 25, change "end plates" to -- endplates --; and
Line 63, after "of claim" insert -- 464, --.

Signed and Sealed this

Fifth Day of October, 2004

A handwritten signature in black ink on a light gray dotted background. The signature reads "Jon W. Dudas" in a cursive style. The "J" is large and loops around the "on". The "W" is written with two distinct peaks. The "Dudas" part is written in a fluid, cursive script.

JON W. DUDAS

Director of the United States Patent and Trademark Office