



US006554836B2

(12) **United States Patent**
Michelson

(10) **Patent No.:** **US 6,554,836 B2**
(45) **Date of Patent:** **Apr. 29, 2003**

(54) **SPINAL MARKER FOR USE IN SPINAL SURGERY**

(76) Inventor: **Gary K. Michelson**, 438 Sherman Canal, Venice, CA (US) 90291

(*) Notice: Subject to any disclaimer, the term of this patent is extended or adjusted under 35 U.S.C. 154(b) by 0 days.

(21) Appl. No.: **09/768,832**

(22) Filed: **Jan. 23, 2001**

(65) **Prior Publication Data**

US 2001/0010001 A1 Jul. 26, 2001

Related U.S. Application Data

(62) Division of application No. 09/490,901, filed on Jan. 25, 2000, now Pat. No. 6,224,607.

(60) Provisional application No. 60/117,039, filed on Jan. 25, 1999.

(51) **Int. Cl.**⁷ **A61F 5/00**

(52) **U.S. Cl.** **606/86**

(58) **Field of Search** 606/53, 86, 116; 600/431

(56) **References Cited**

U.S. PATENT DOCUMENTS

- 3,955,558 A * 5/1976 Fuisz 128/2 B
- 4,142,517 A 3/1979 Stavropoulos et al.
- 4,545,374 A 10/1985 Jacobson
- 4,985,019 A * 1/1991 Michelson 604/180

- 5,195,526 A 3/1993 Michelson
- 5,484,437 A 1/1996 Michelson
- 5,489,307 A 2/1996 Kuslich et al.
- 5,496,304 A * 3/1996 Chasan 606/1
- 5,522,899 A 6/1996 Michelson
- 5,571,109 A 11/1996 Bertagnoli
- 5,700,291 A 12/1997 Kuslich et al.
- 5,722,977 A 3/1998 Wilhelmy
- 5,741,253 A 4/1998 Michelson
- 5,772,661 A 6/1998 Michelson
- 5,797,909 A 8/1998 Michelson
- 5,947,971 A 9/1999 Kuslich et al.
- 6,004,326 A 12/1999 Castro et al.
- 6,056,749 A 5/2000 Kuslich
- 6,063,088 A 5/2000 Winslow
- 6,113,602 A 9/2000 Sand

OTHER PUBLICATIONS

International Search Report dated Sep. 5, 2001 of International Application No. PCT/US00/01821.

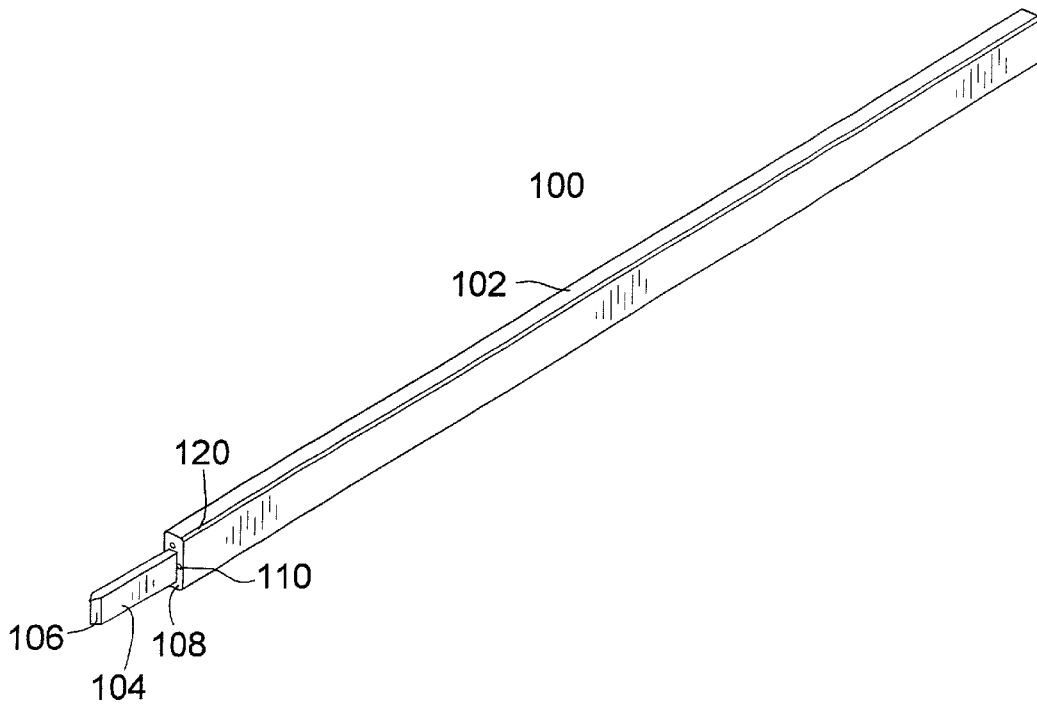
* cited by examiner

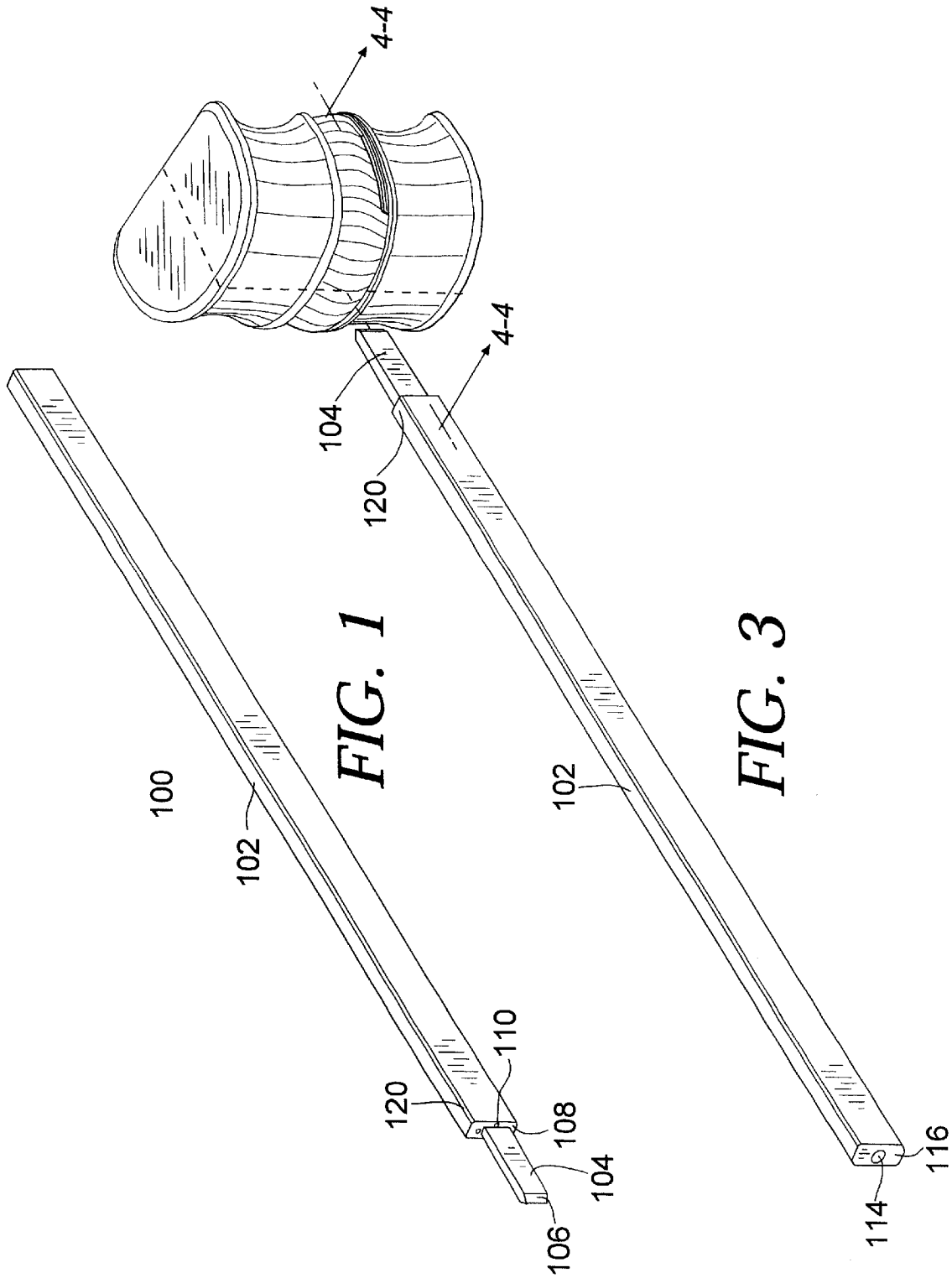
Primary Examiner—Eduardo C. Robert
(74) *Attorney, Agent, or Firm*—Martin & Ferraro, LLP

(57) **ABSTRACT**

A spinal marker for use, in spinal surgery for marking a location on at least a portion of two adjacent vertebral bodies is disclosed. The spinal marker includes a shaft with a distal end having at least one dye exit hole and a disc penetrating extension extending from the distal end of the shaft for facilitating the insertion of the marker at least in part between the adjacent vertebral bodies.

59 Claims, 30 Drawing Sheets





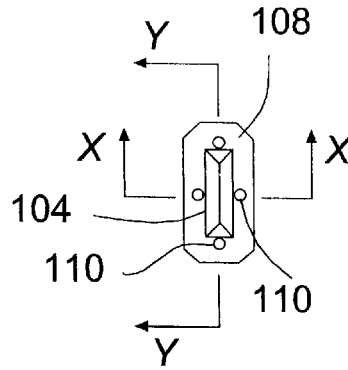


FIG. 2

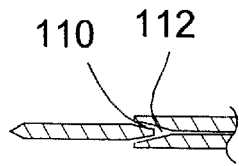


FIG. 2A

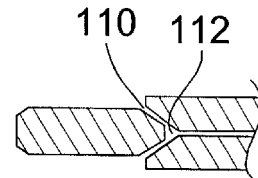


FIG. 2B

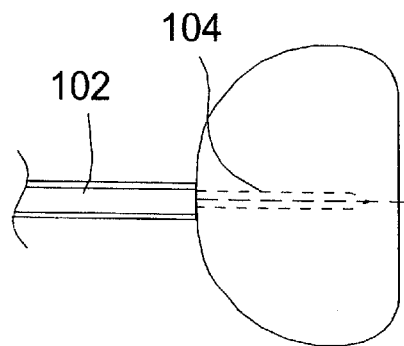
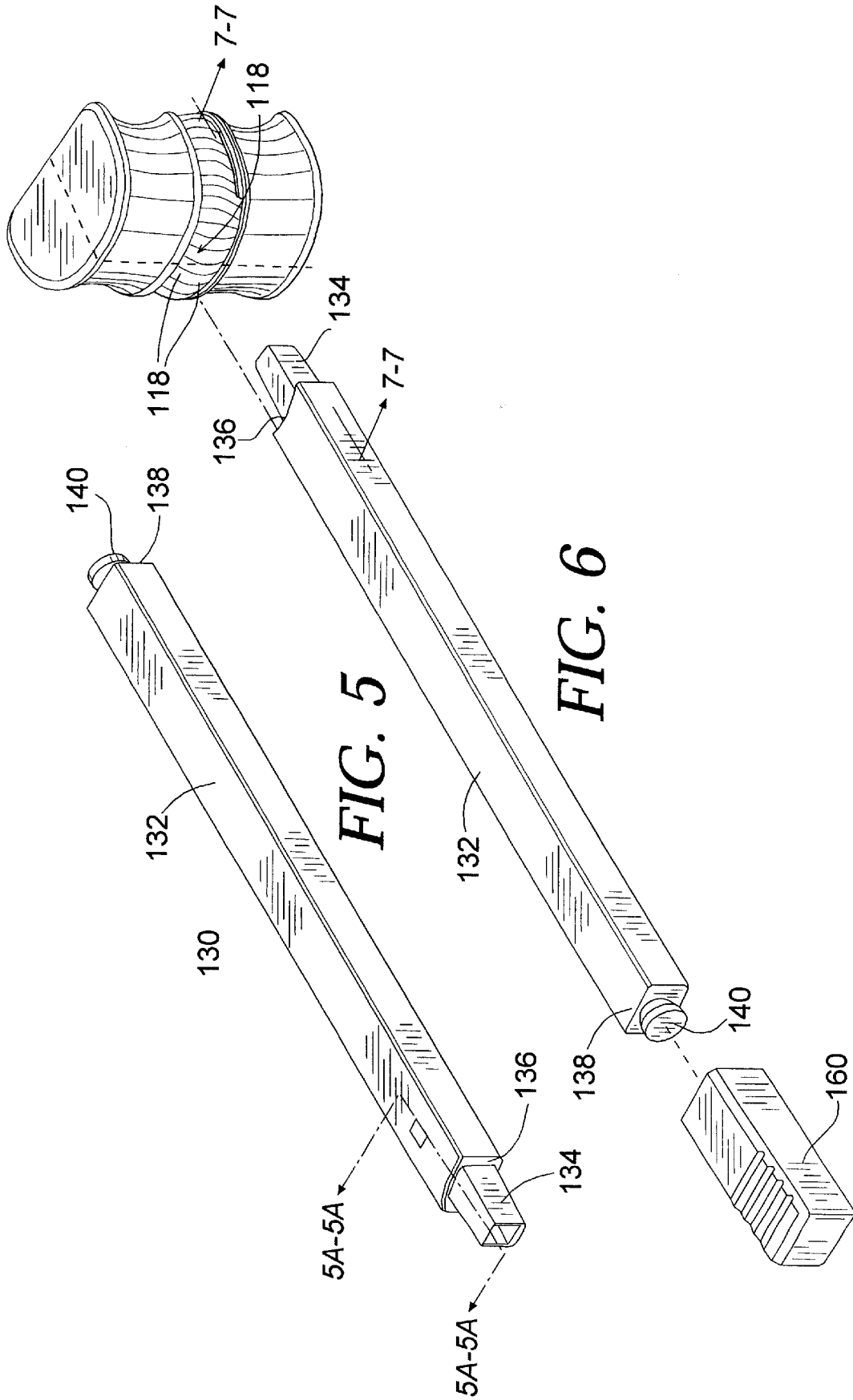


FIG. 4



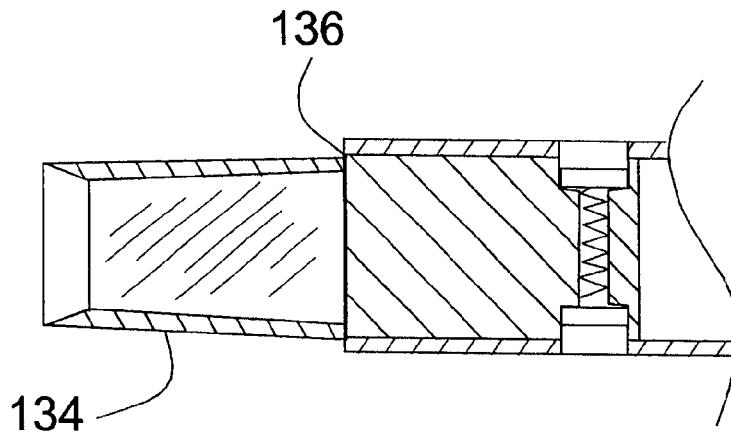


FIG. 5A

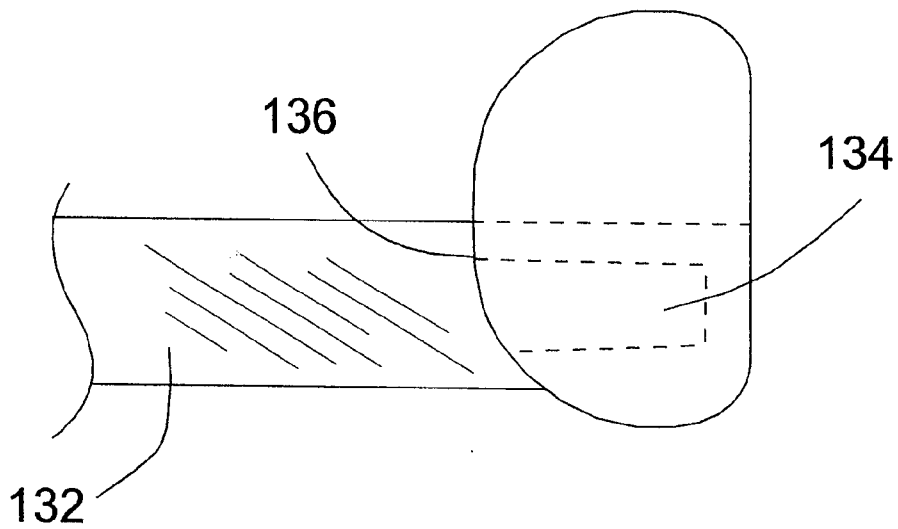
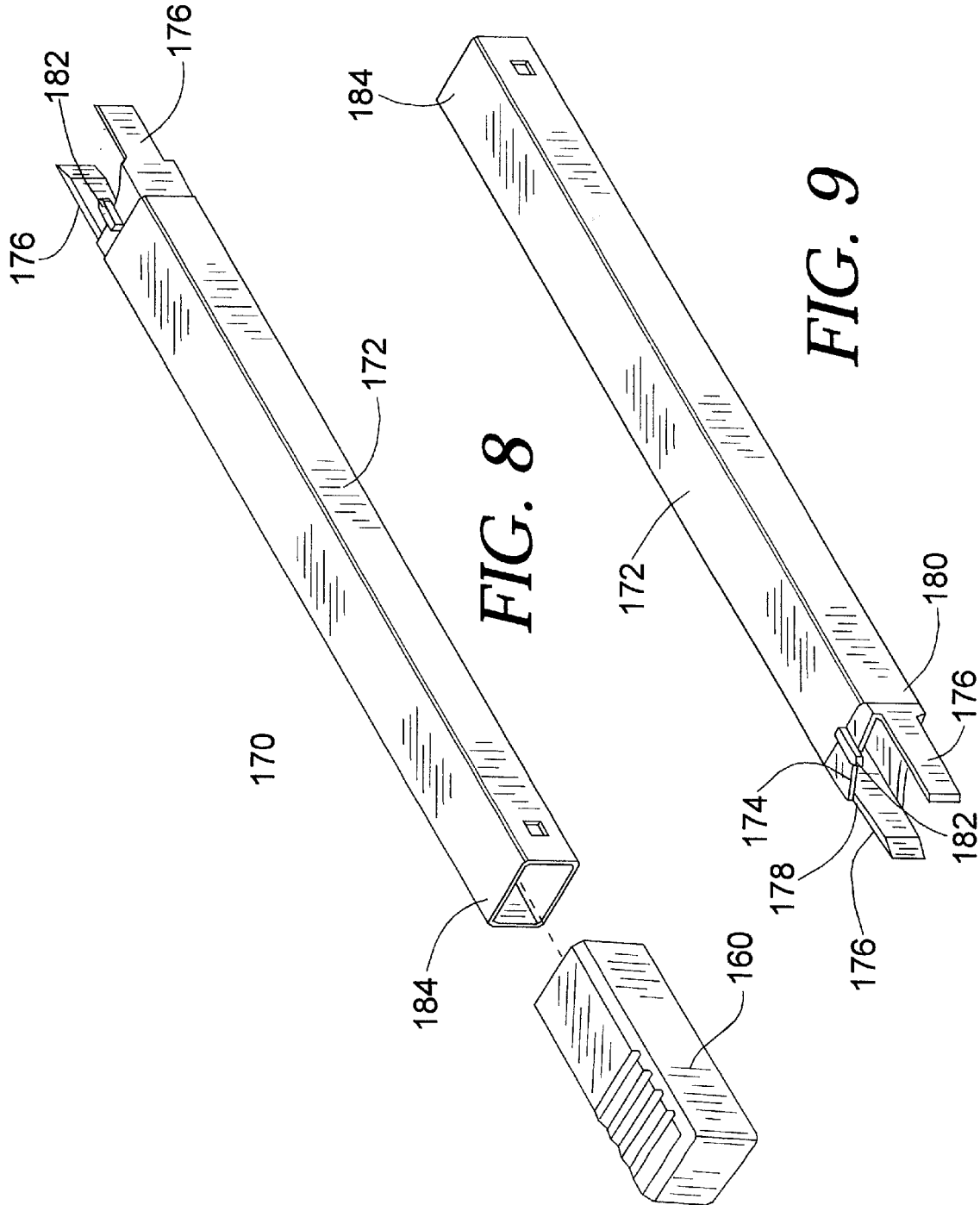


FIG. 7



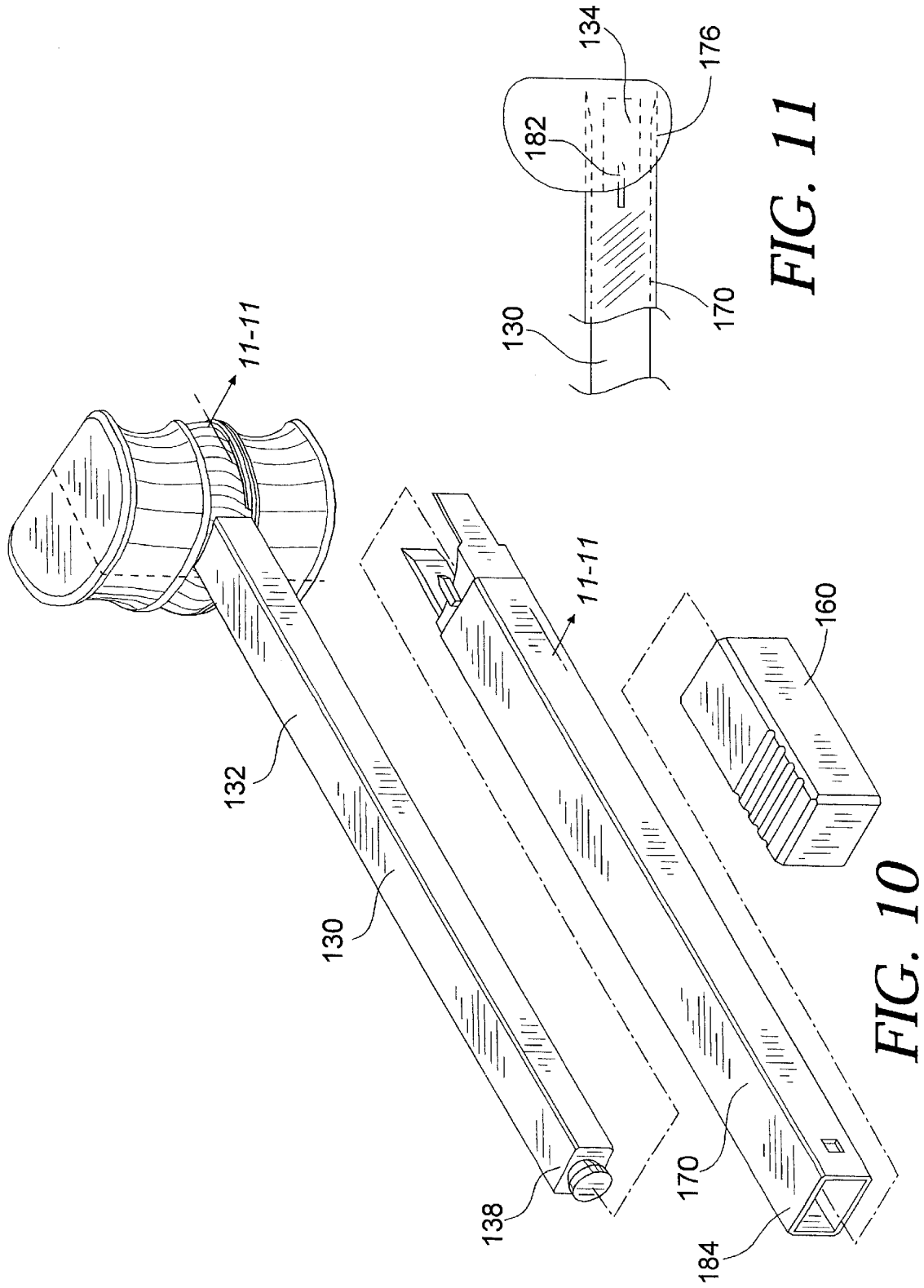


FIG. 11

FIG. 10

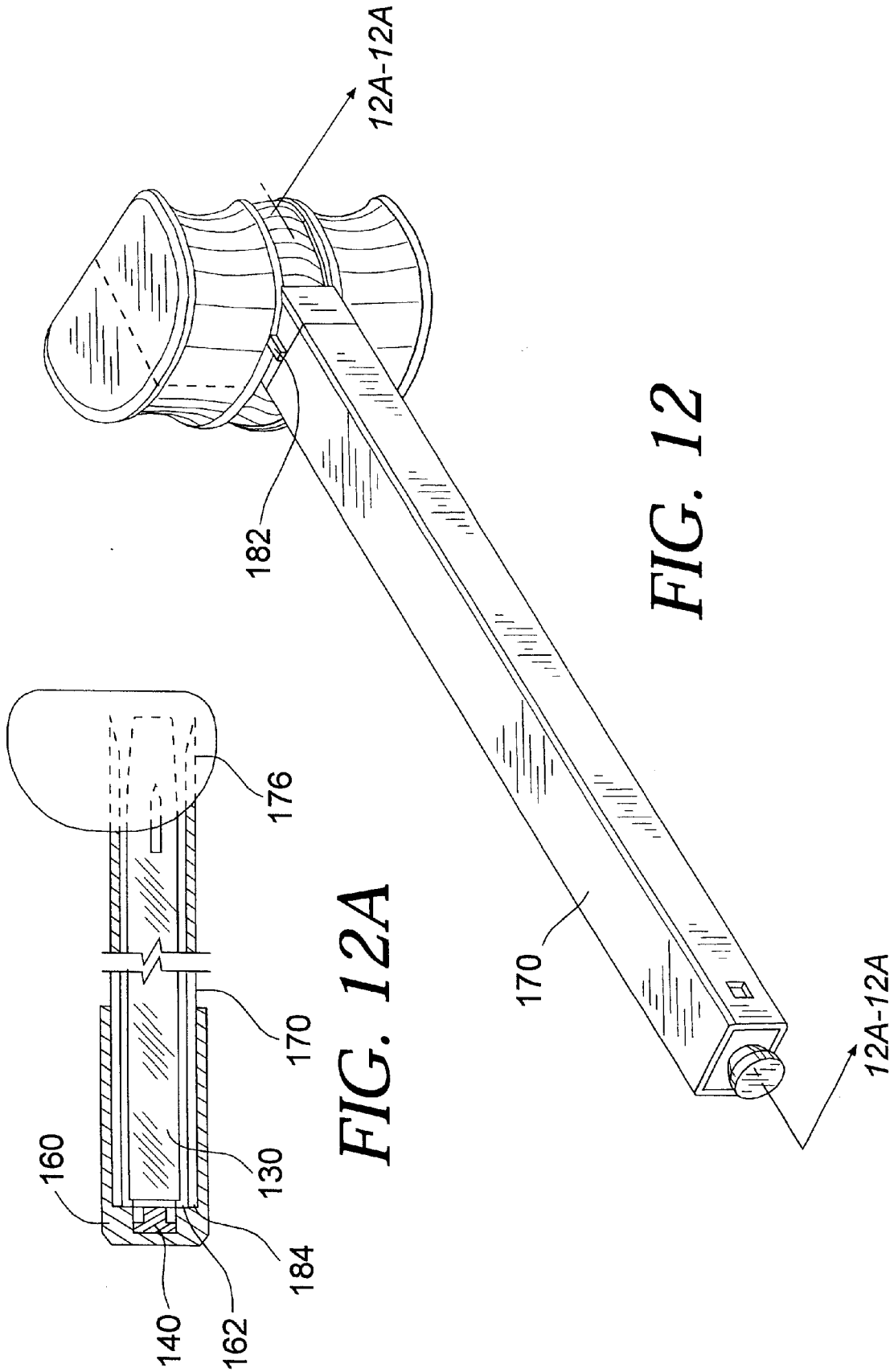
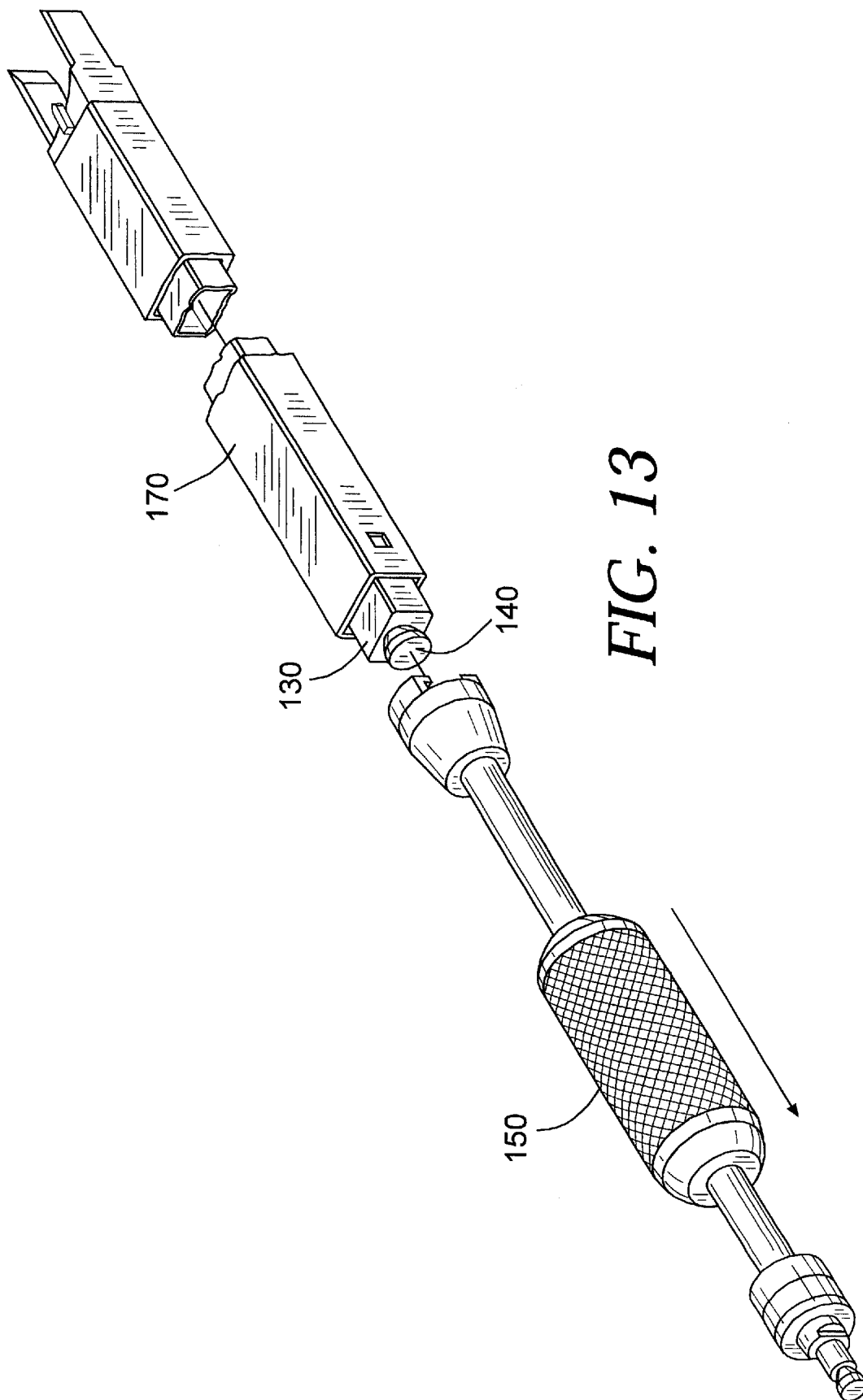


FIG. 12A

FIG. 12



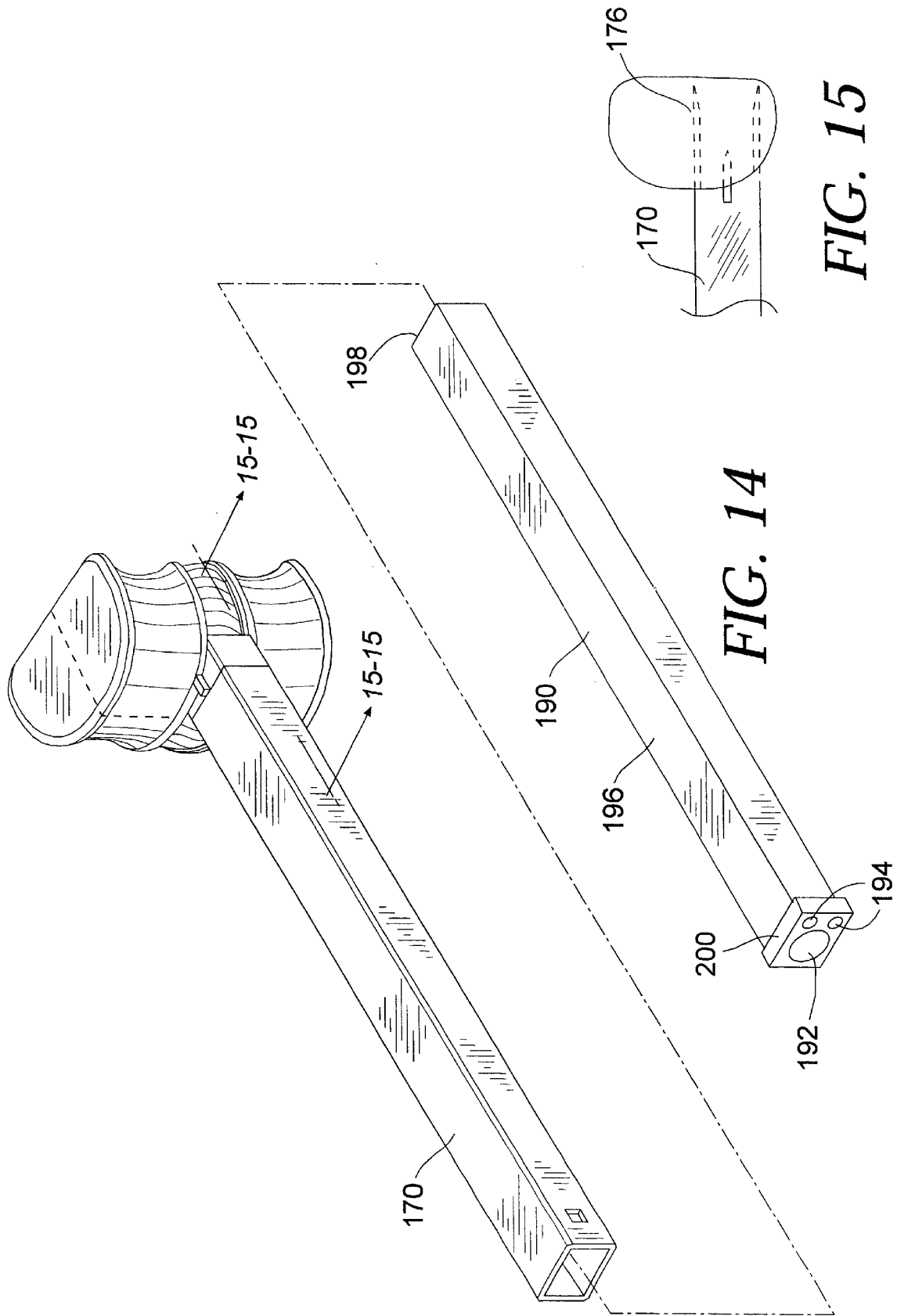


FIG. 14

FIG. 15

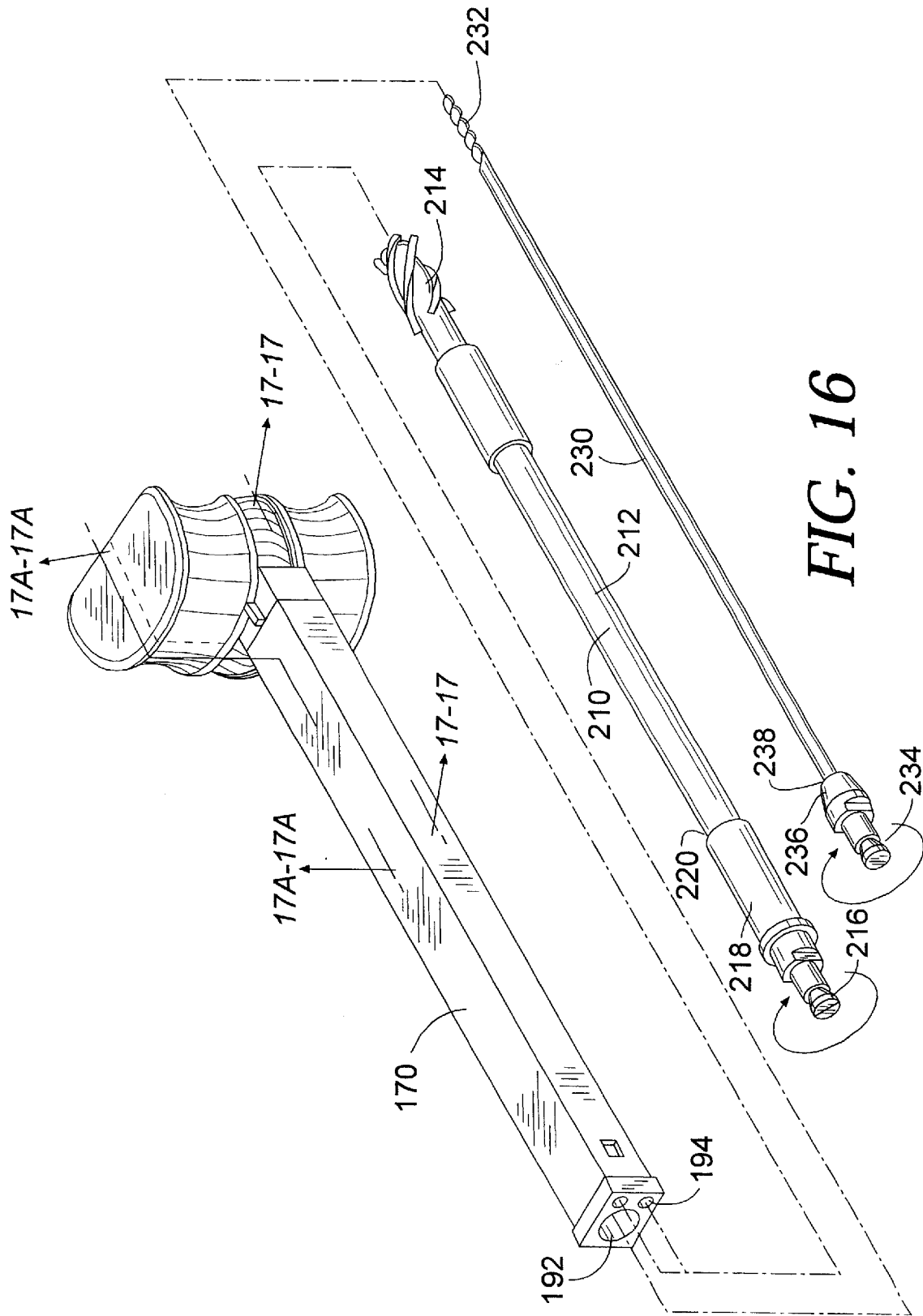


FIG. 16

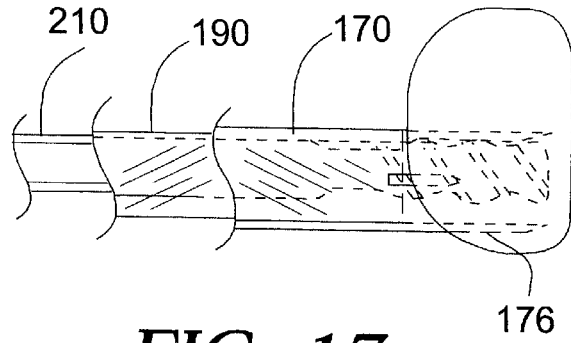


FIG. 17

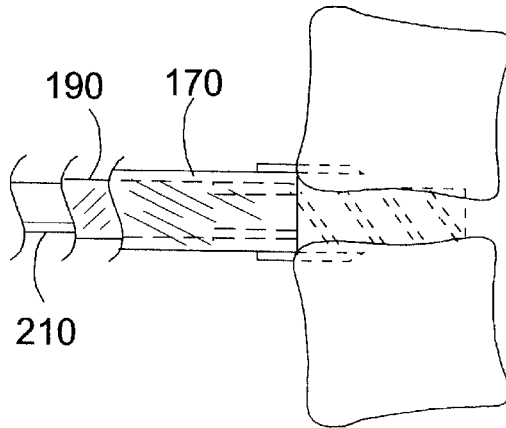


FIG. 17A

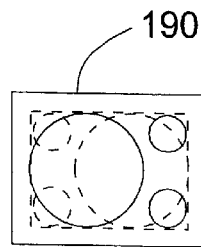


FIG. 18

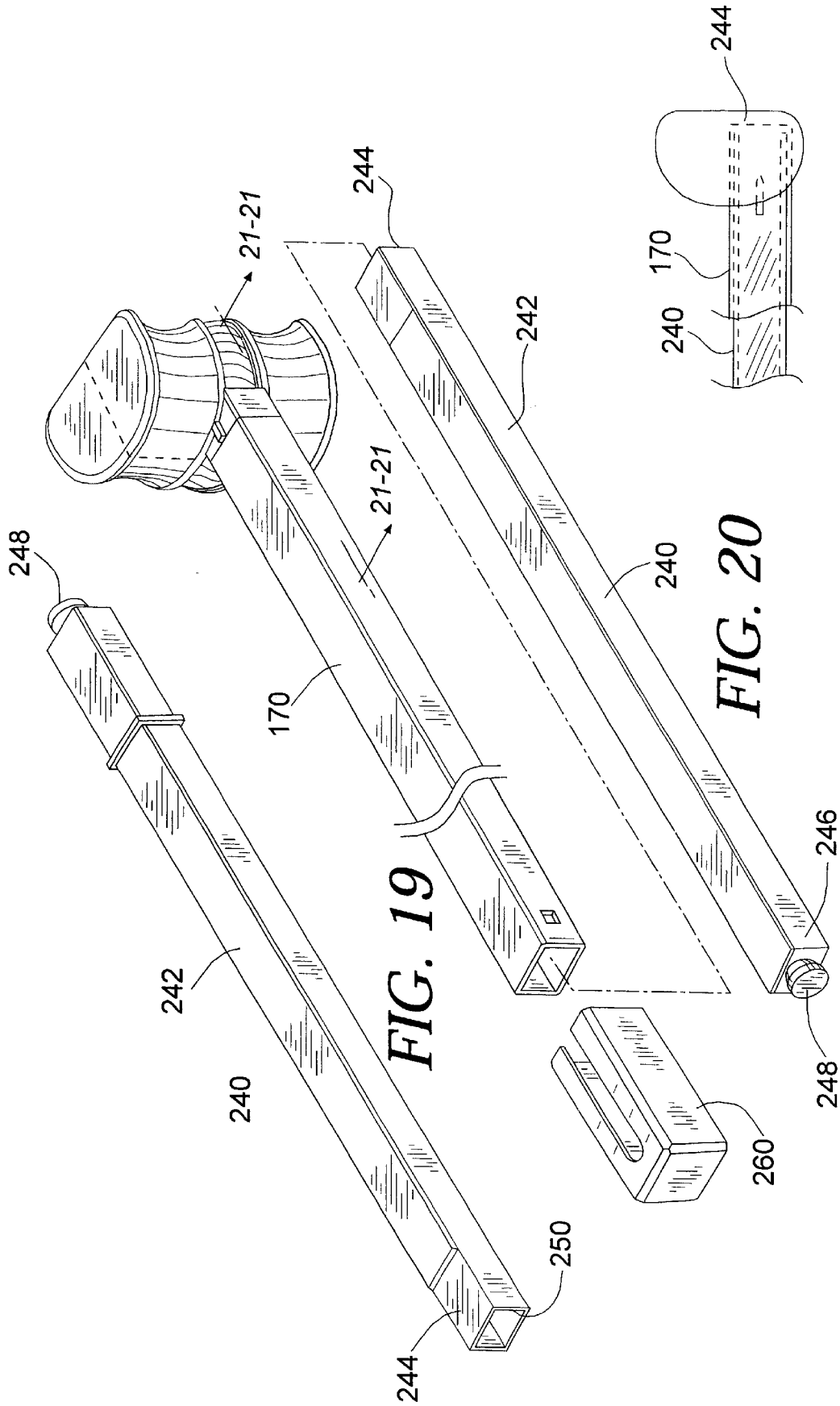


FIG. 19

FIG. 20

FIG. 21

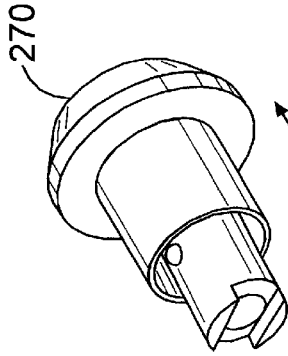


FIG. 22C

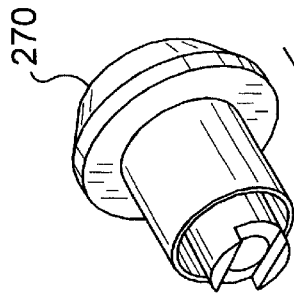


FIG. 22B

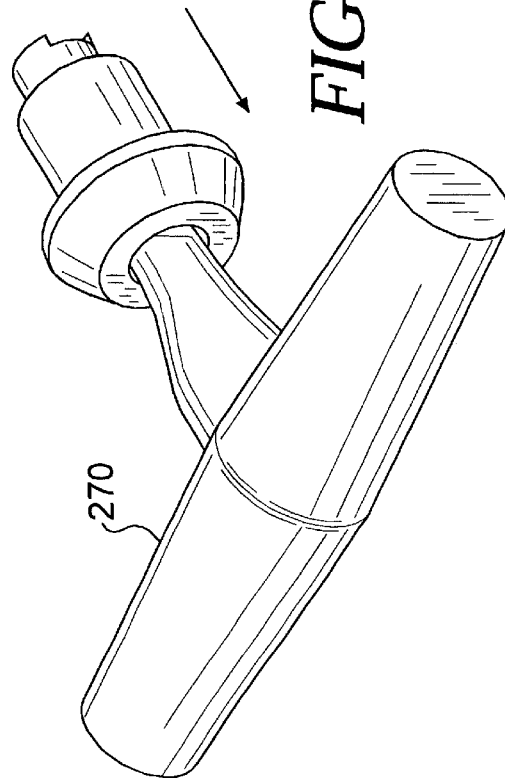


FIG. 22A

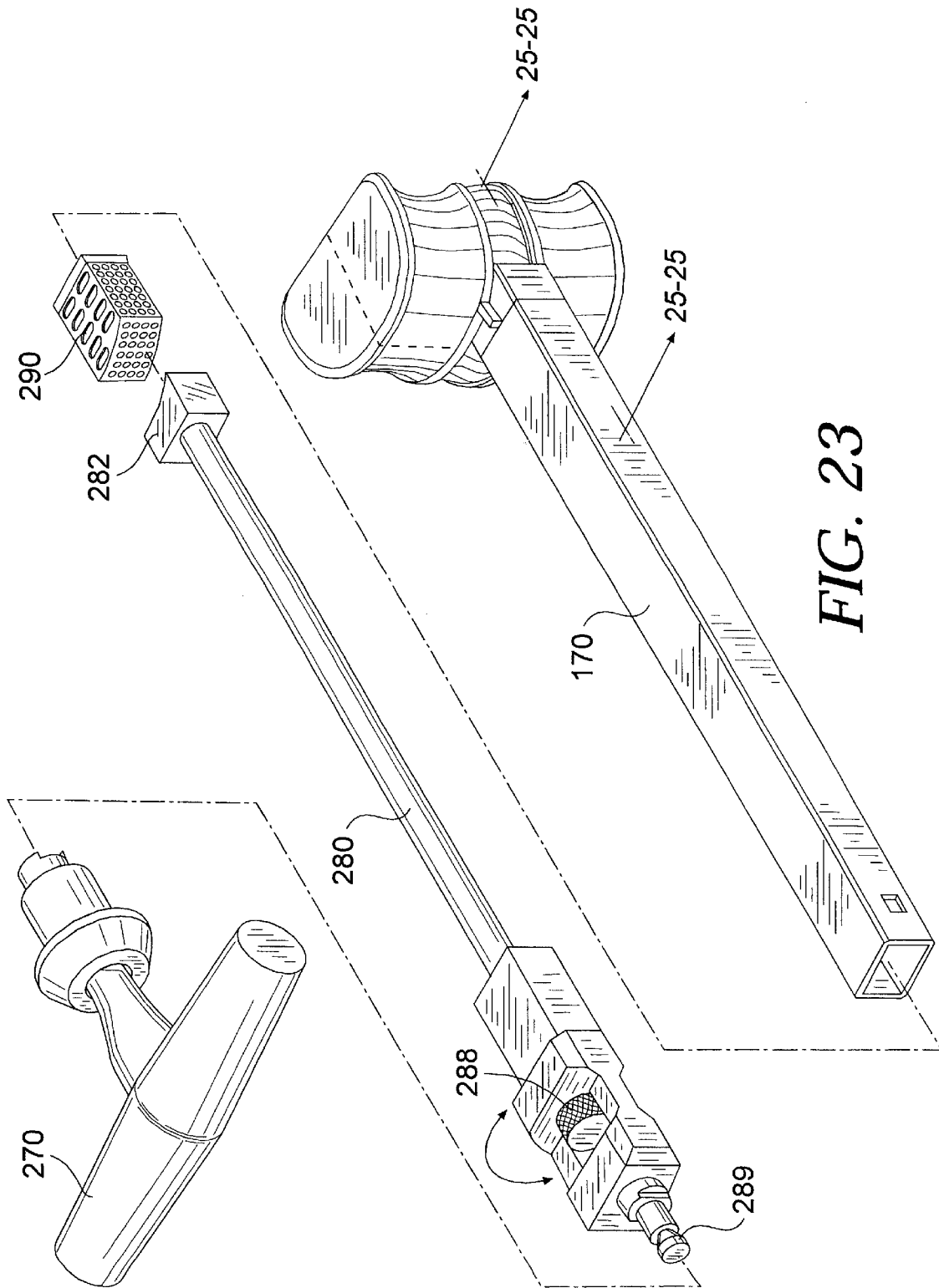


FIG. 23

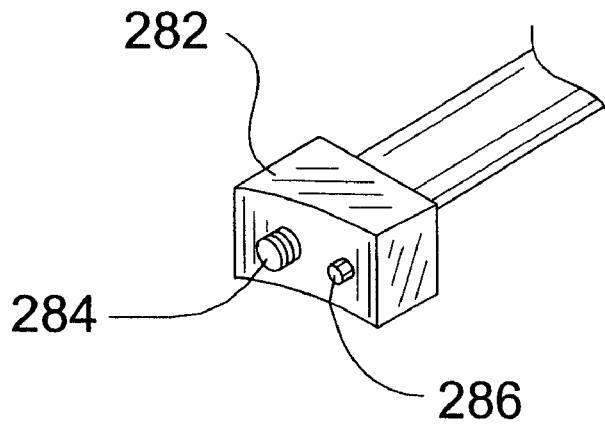


FIG. 24

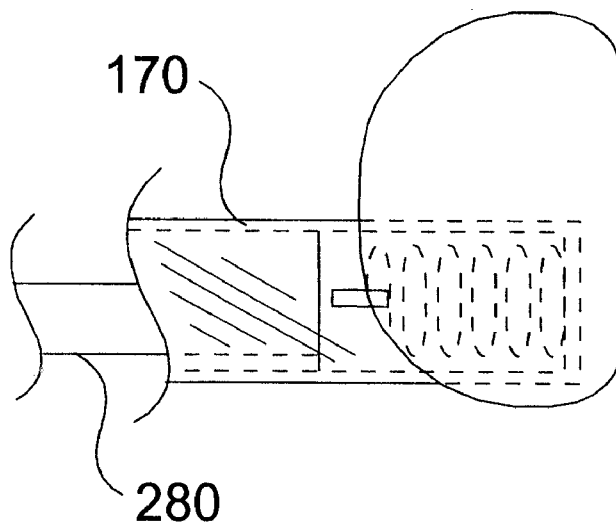
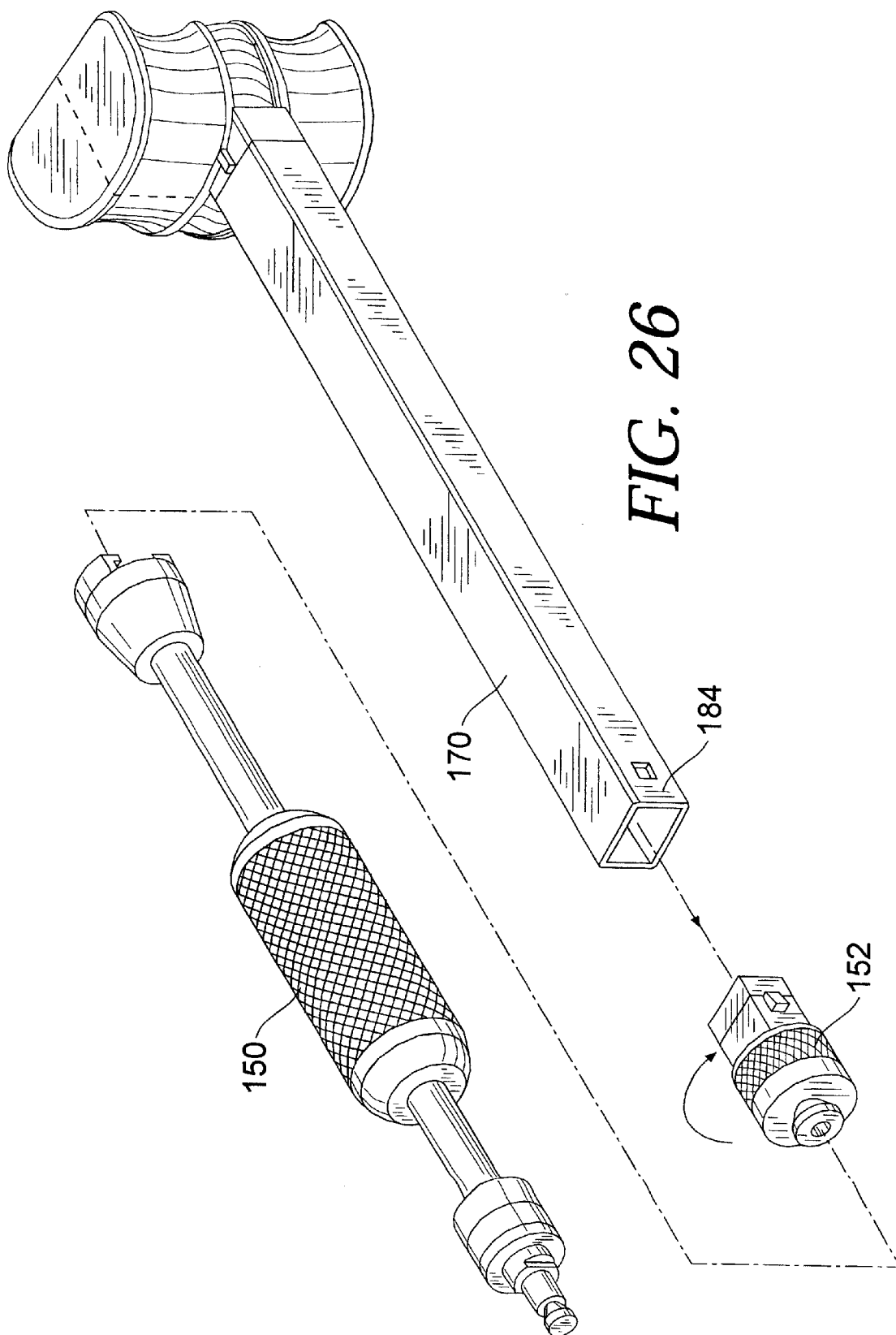


FIG. 25



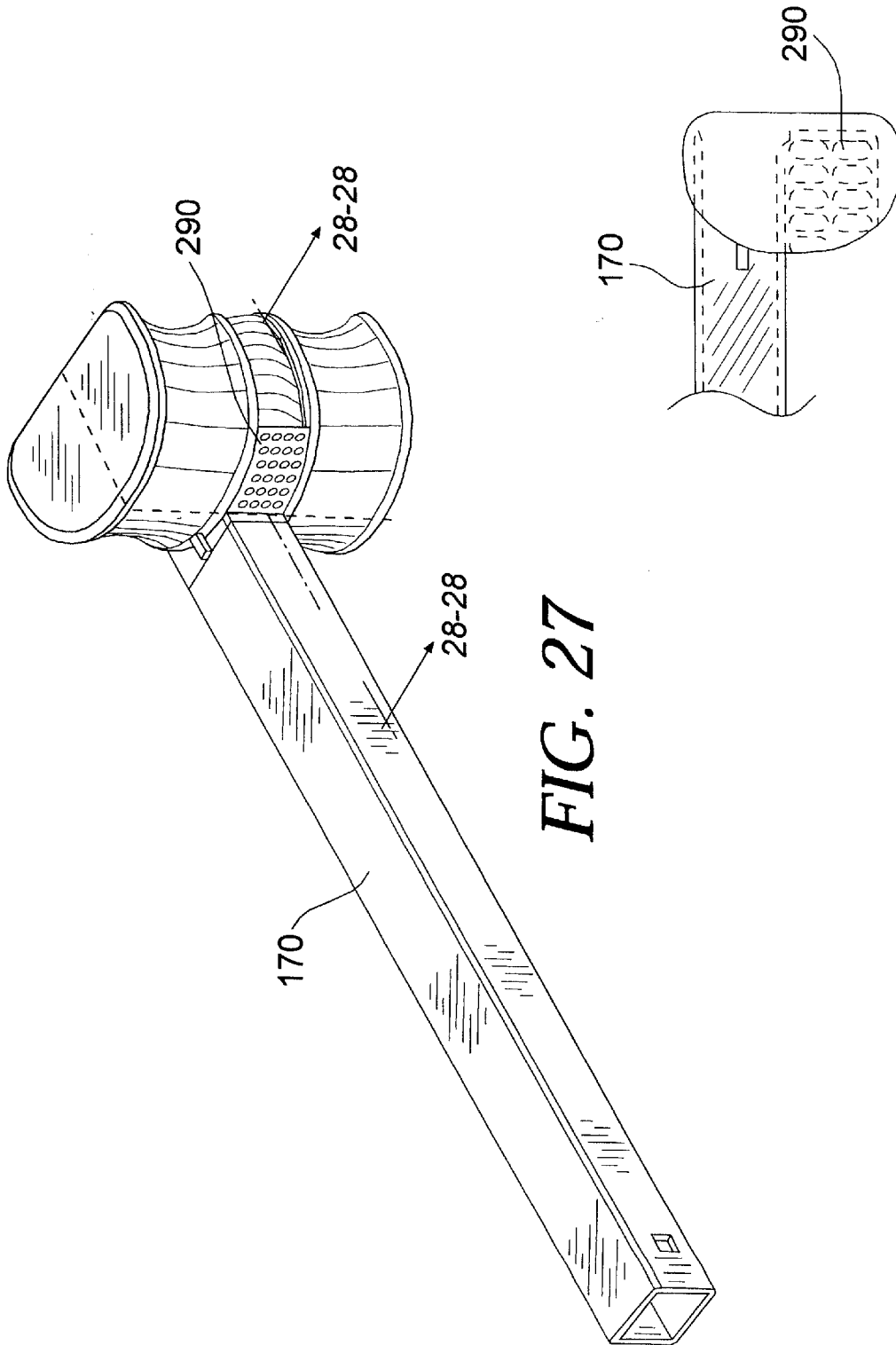
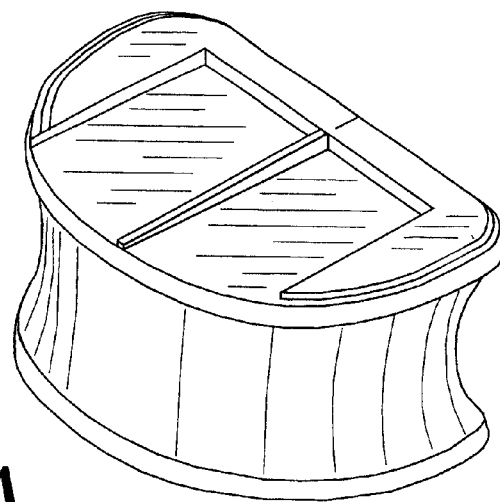
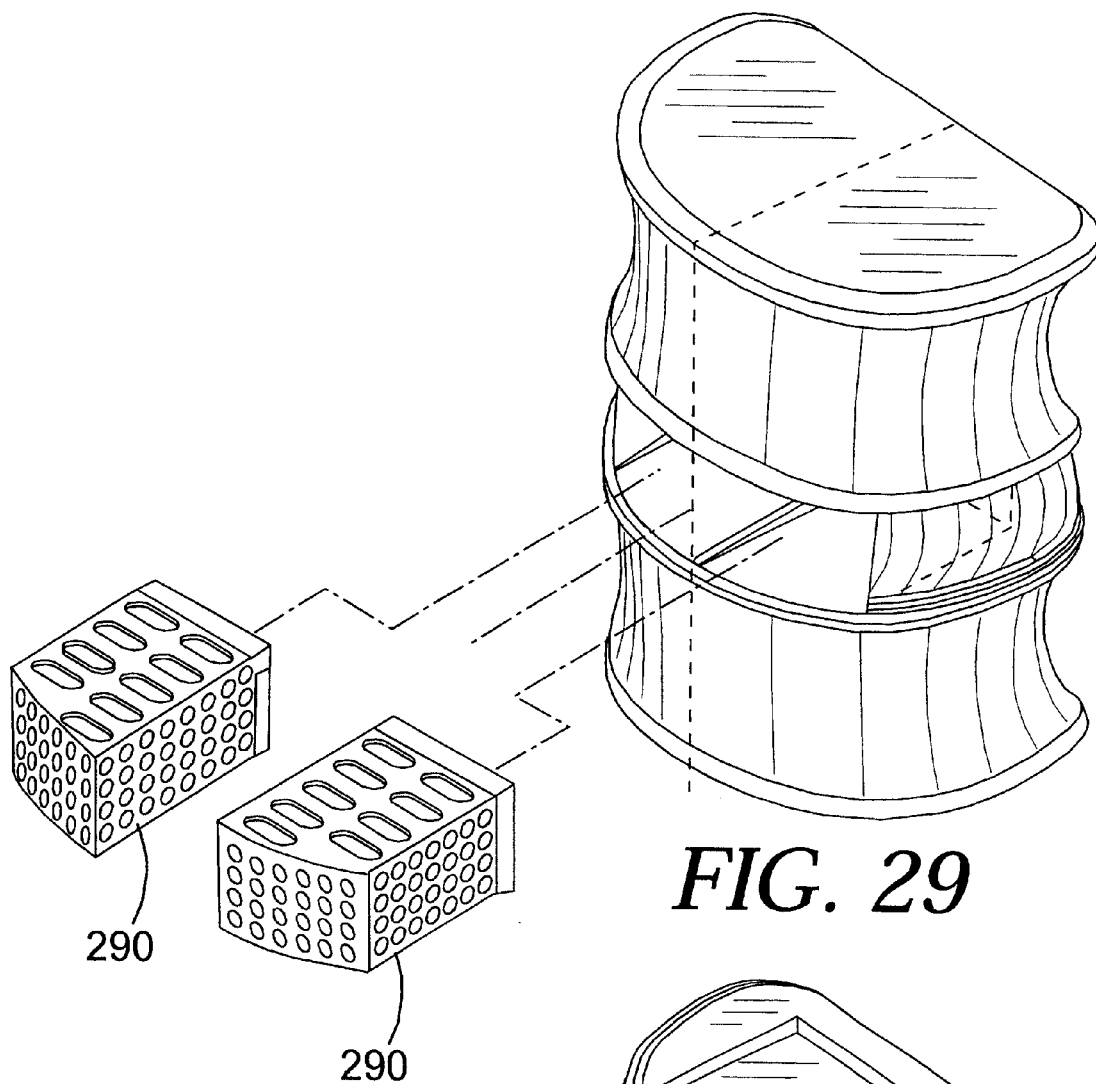


FIG. 27

FIG. 28



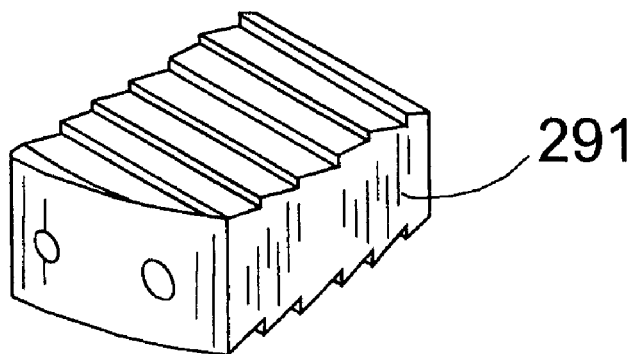


FIG. 30

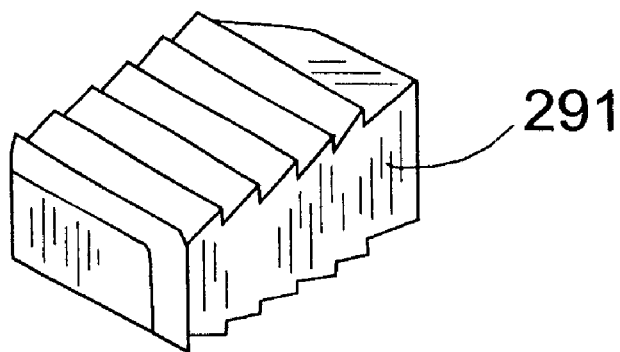


FIG. 31

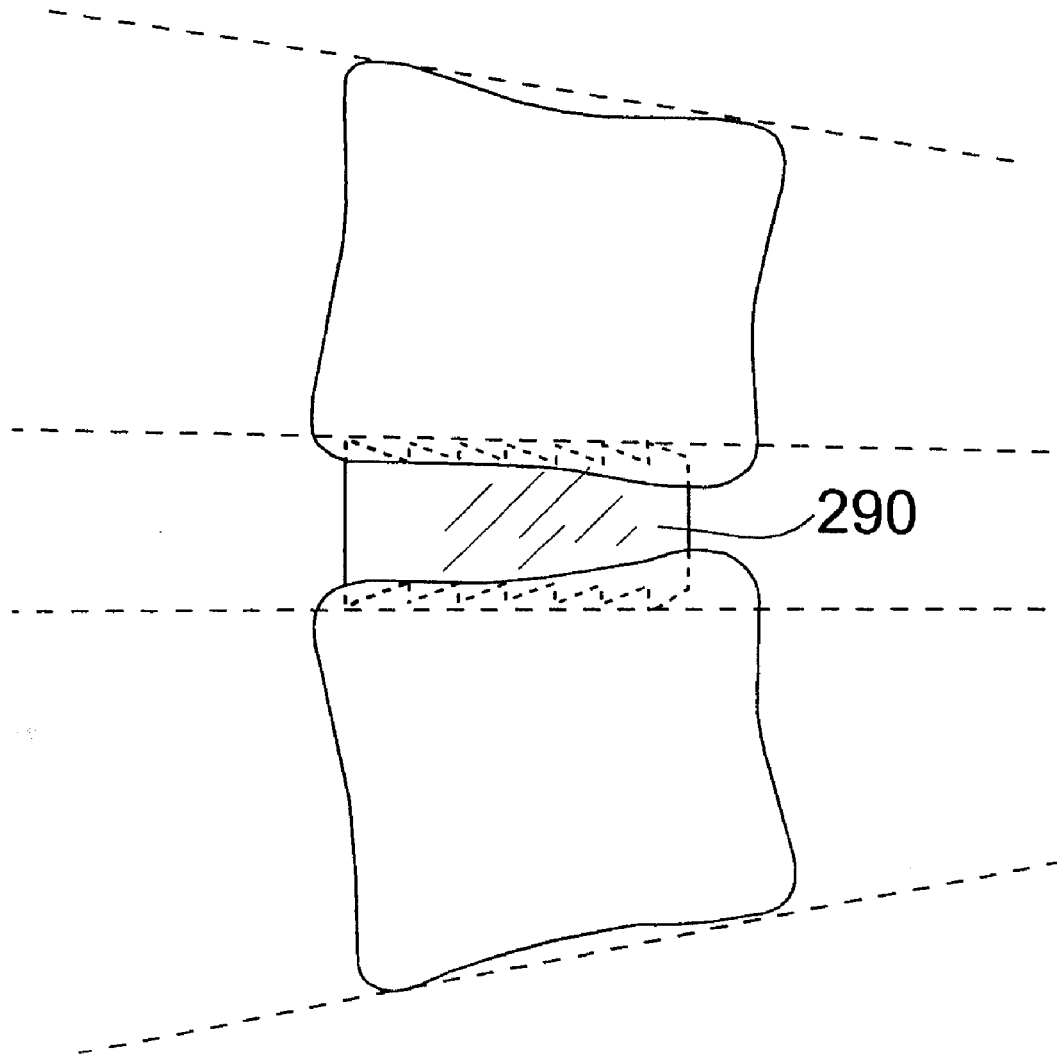


FIG. 32

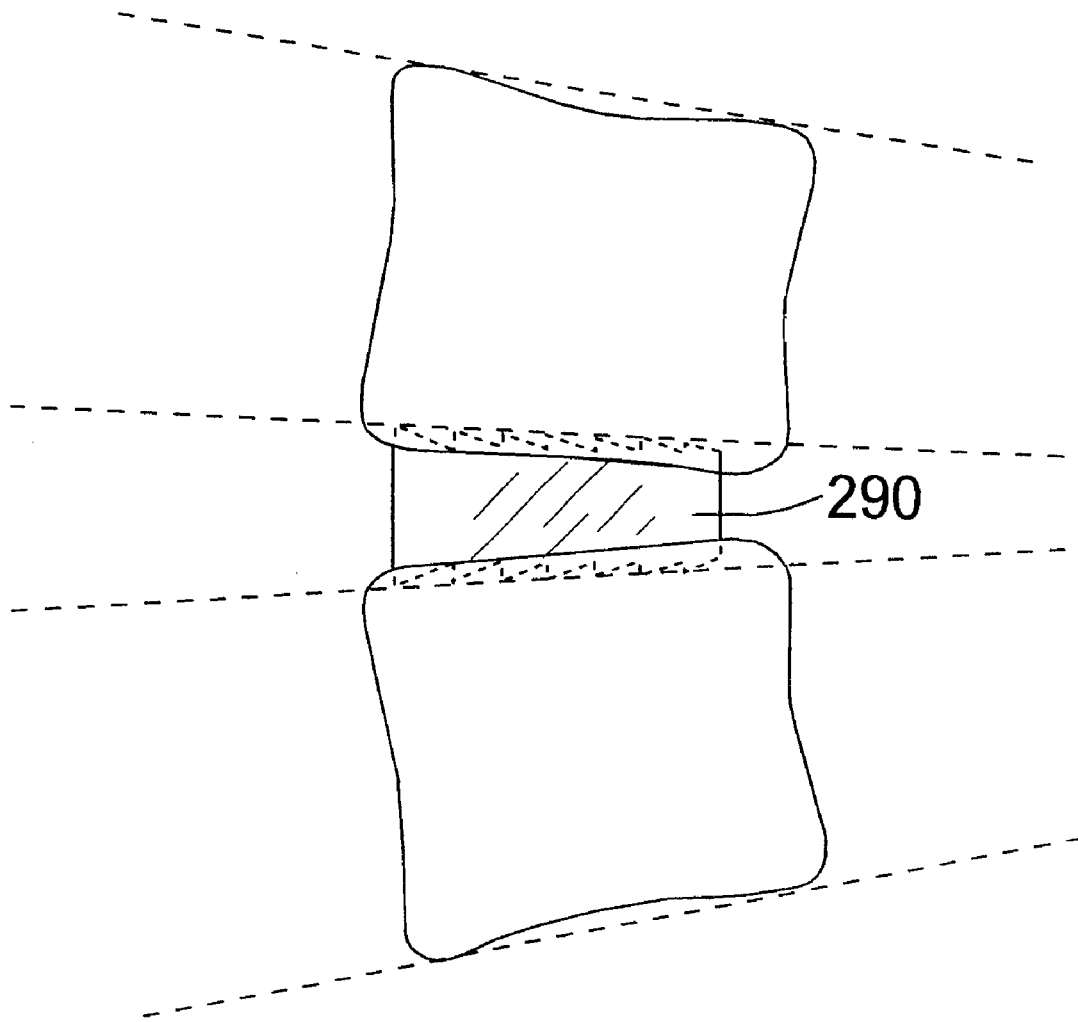
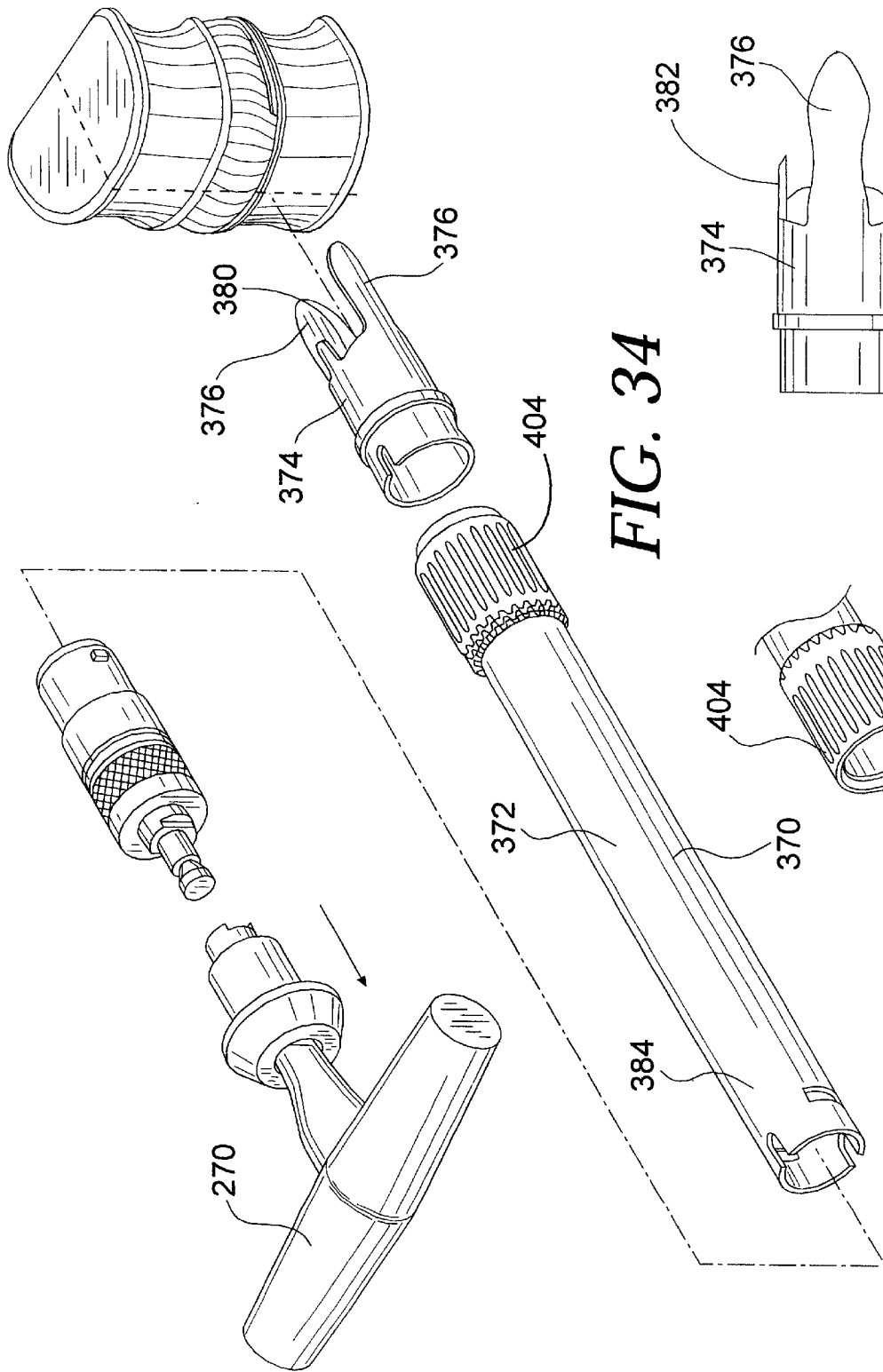


FIG. 33



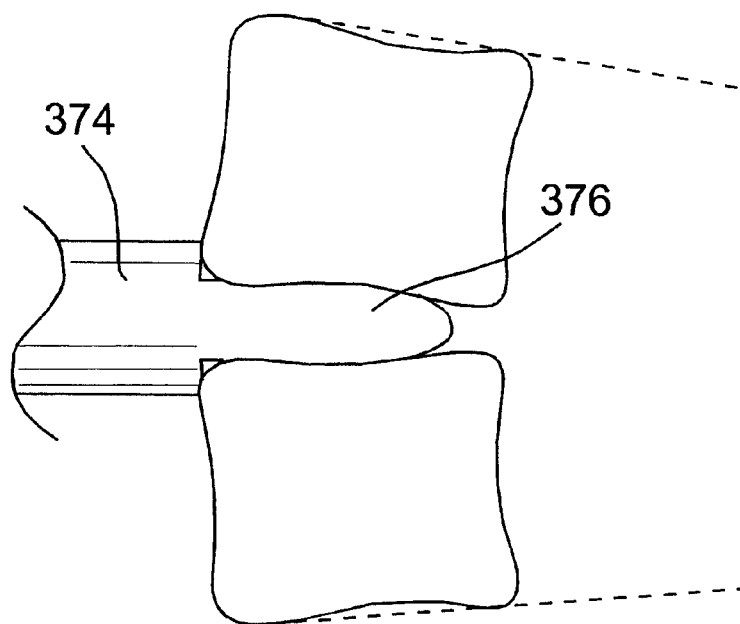


FIG. 35A

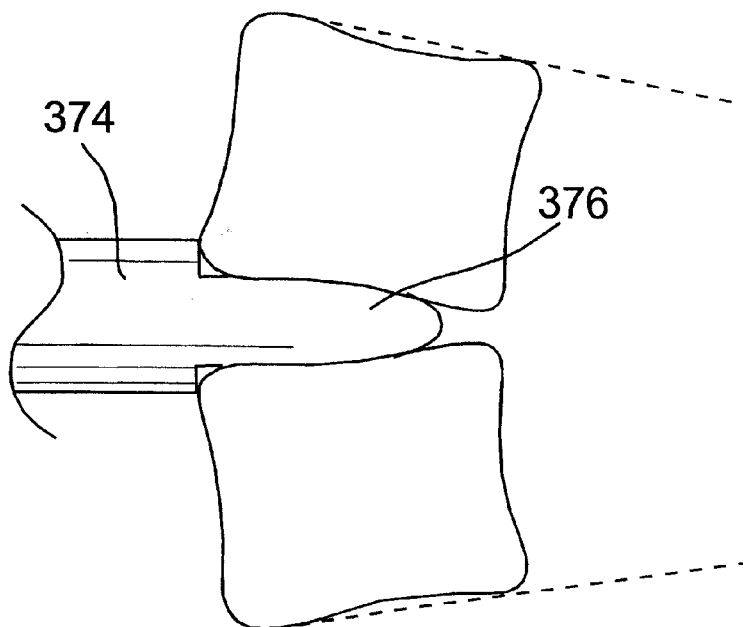
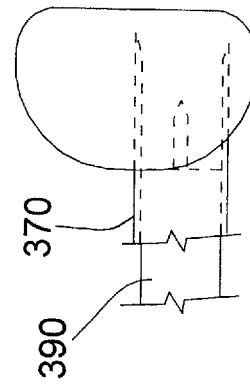
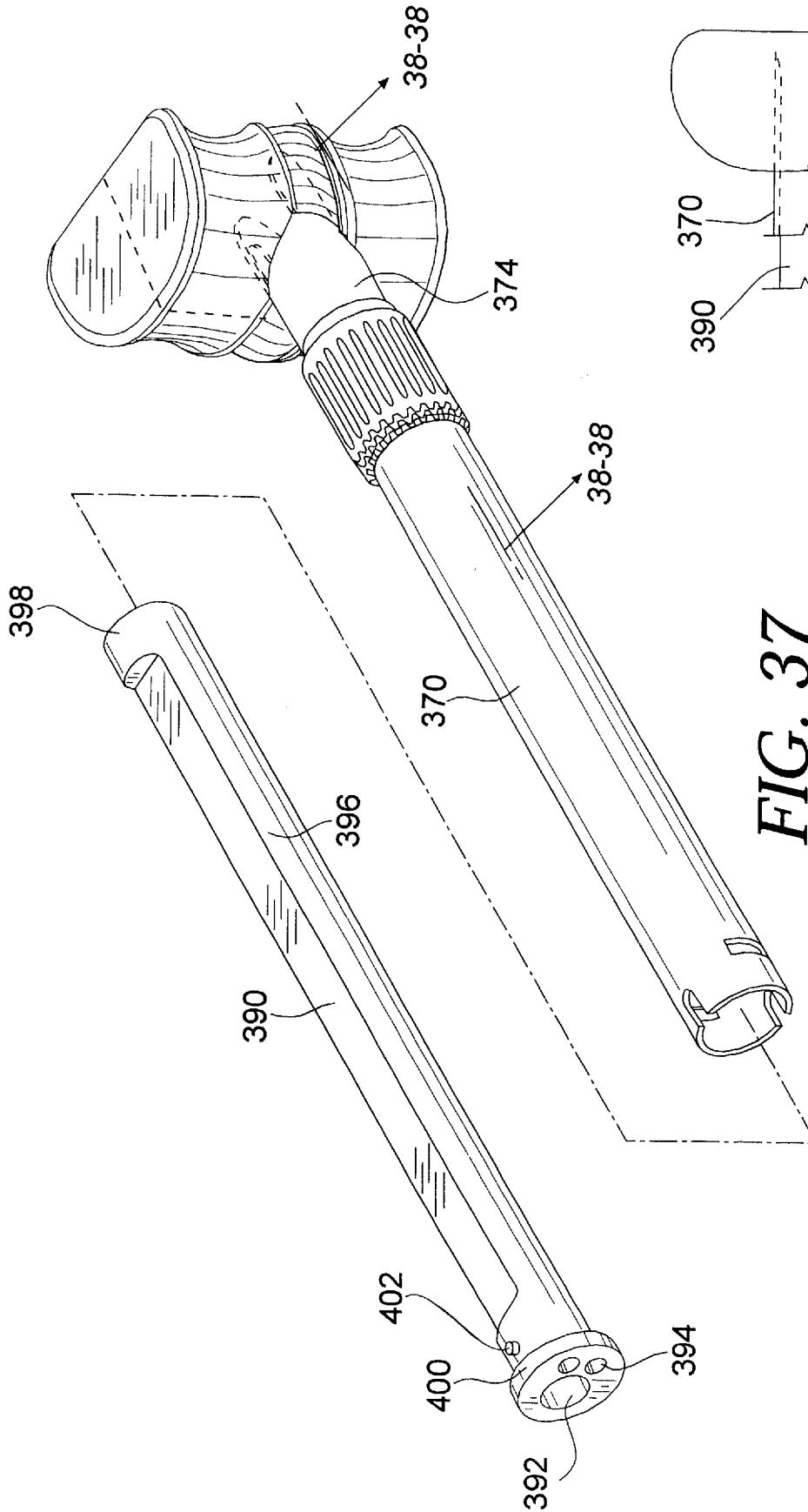


FIG. 35B



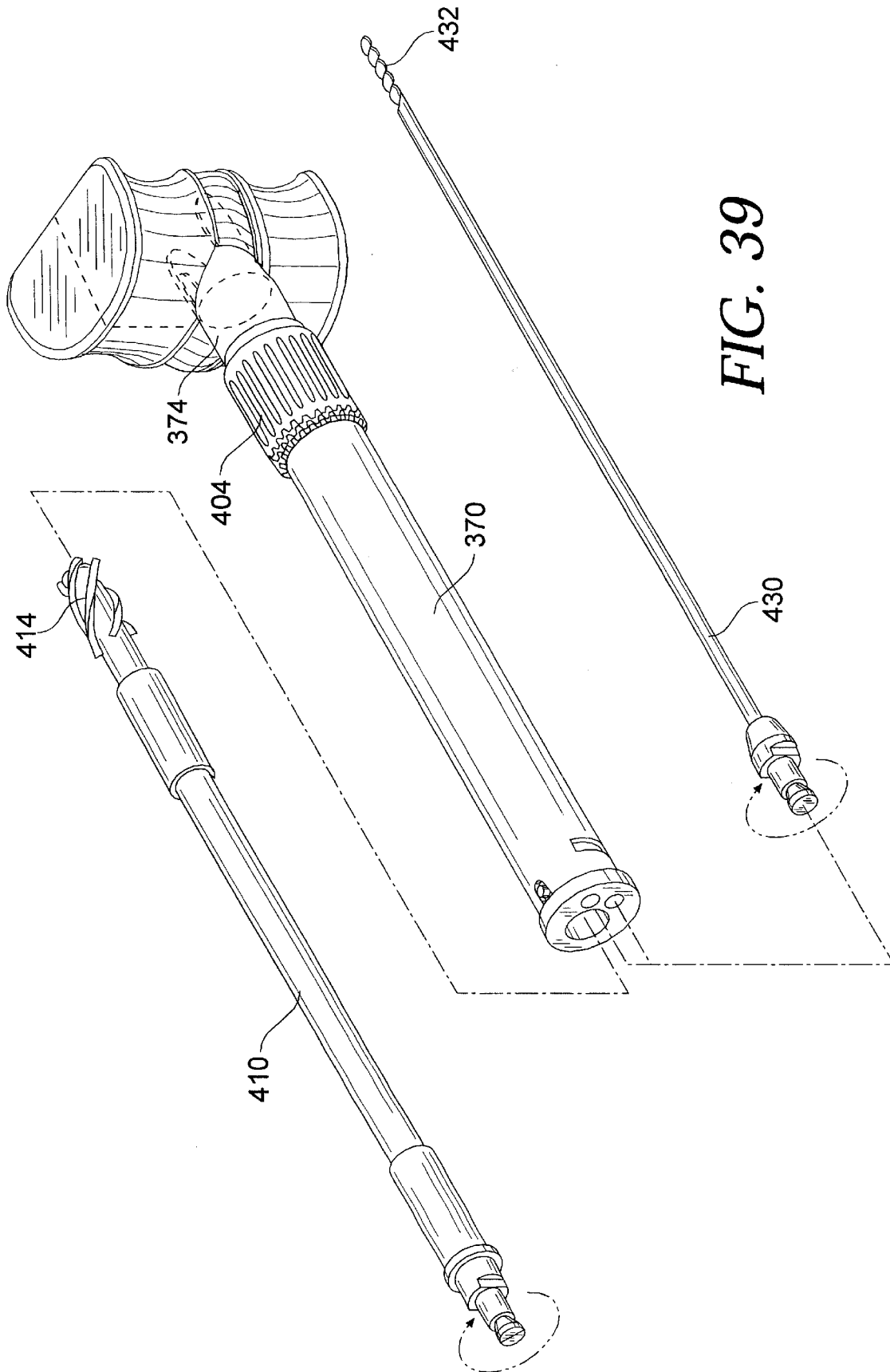


FIG. 39

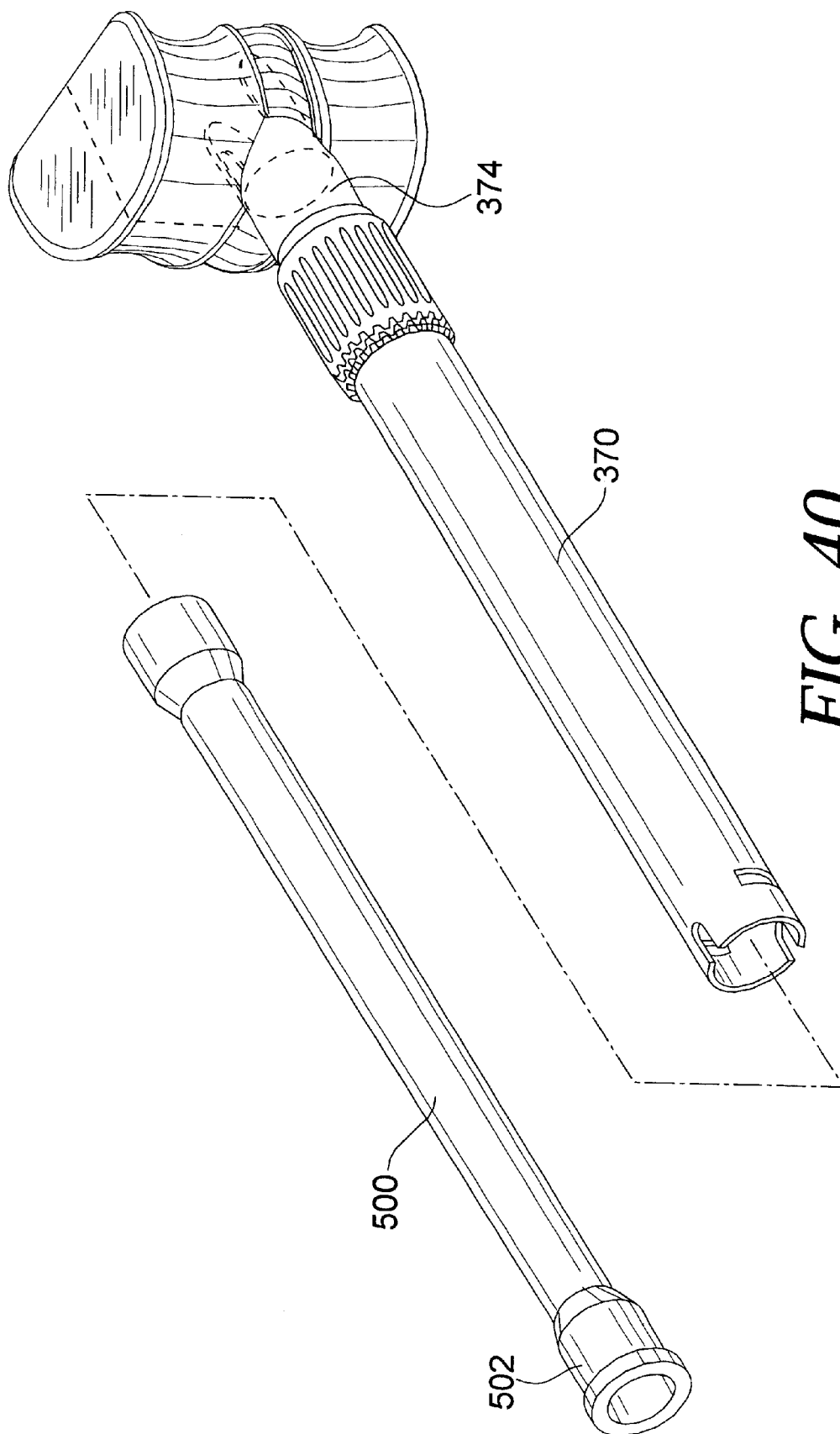
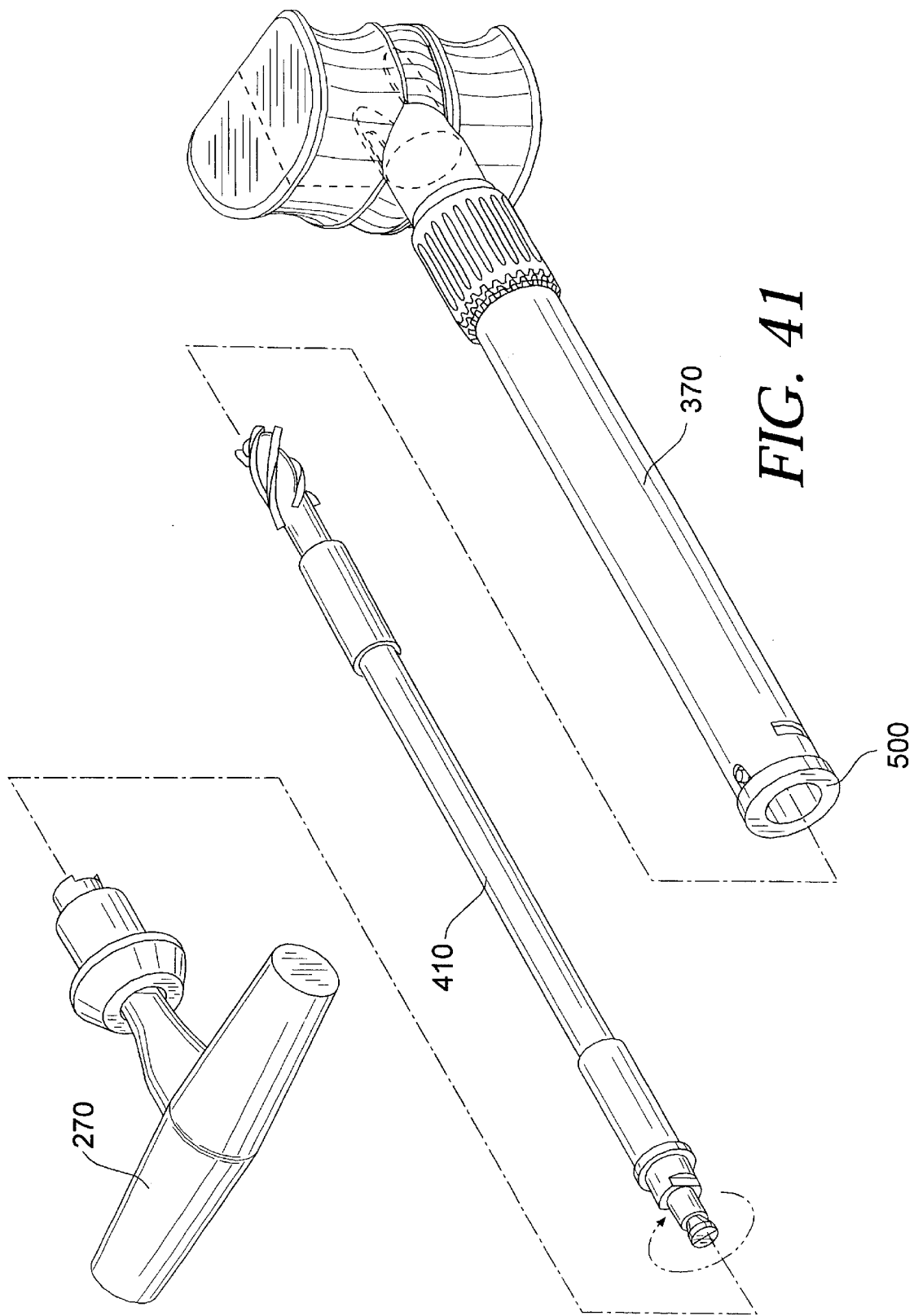


FIG. 40



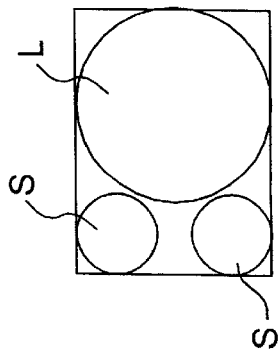


FIG. 42

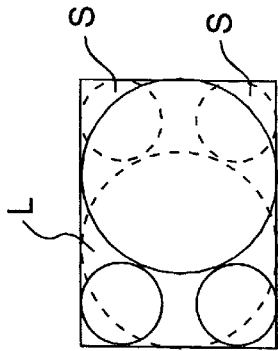


FIG. 43

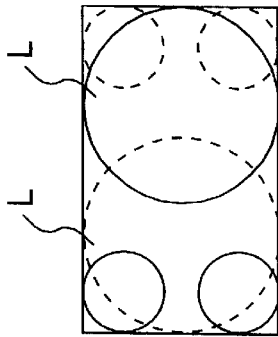


FIG. 44

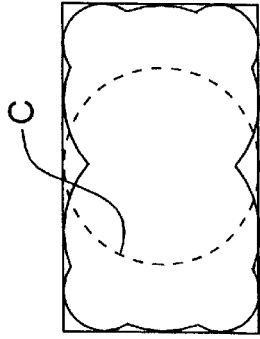


FIG. 46

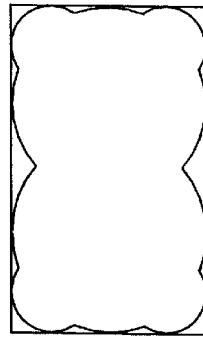


FIG. 45

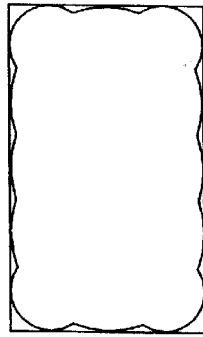


FIG. 47

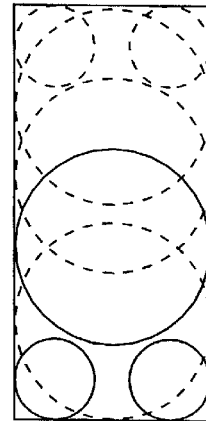


FIG. 48

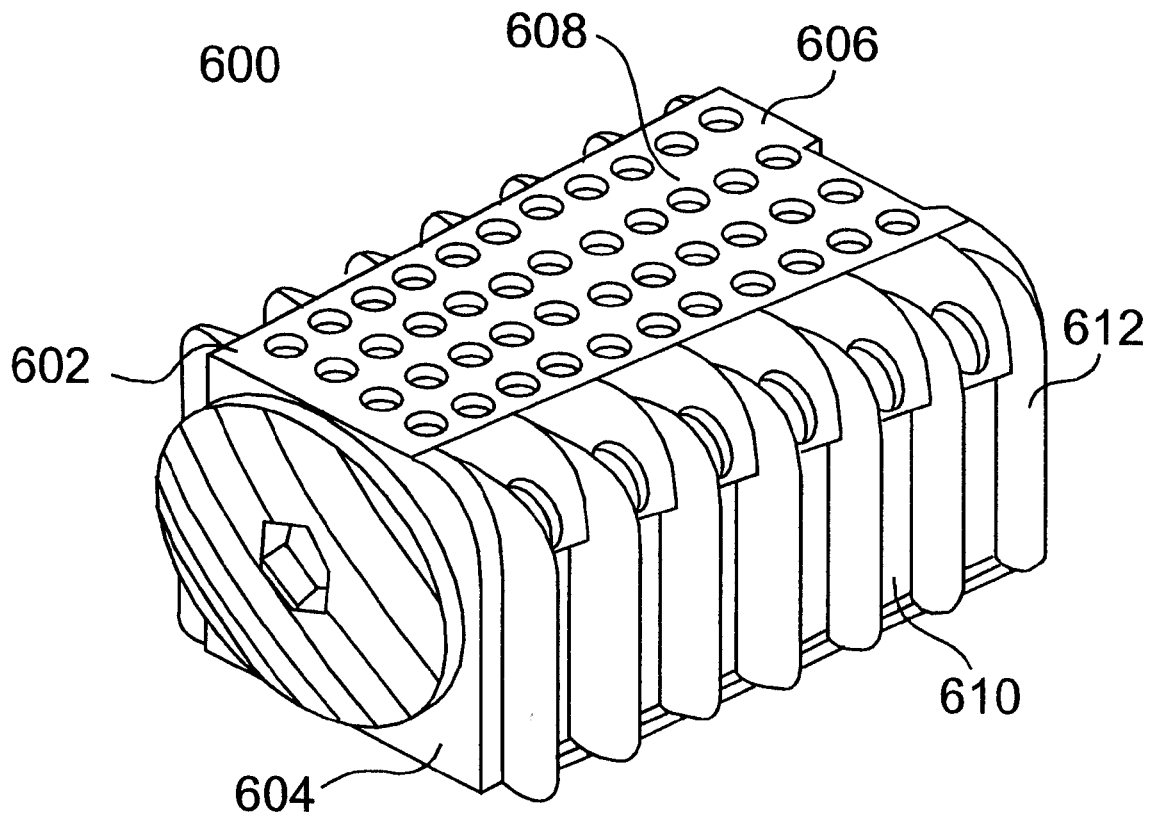


FIG. 49

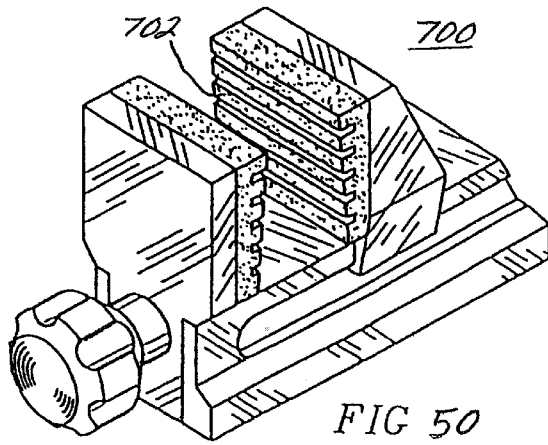


FIG 50

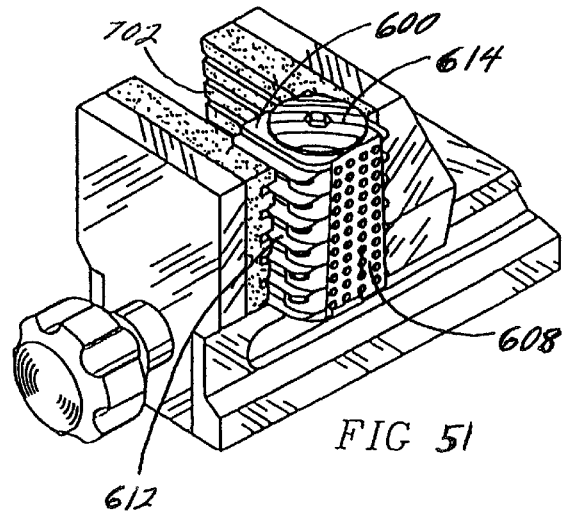


FIG 51

SPINAL MARKER FOR USE IN SPINAL SURGERY

This is a division of application Ser. No. 09/490,901, filed Jan. 25, 2000, now U.S. Pat. No. 6,224,607, and claims the benefit of U.S. provisional application No. 60/117,039, filed Jan. 25, 1999, all of which are incorporated herein by reference.

BACKGROUND OF THE INVENTION

1. Field of the Invention

This invention relates generally to intervertebral spinal surgery, and more particularly to surgical instrumentation and to a method for creating one or more spaces between adjacent vertebral bodies in which the space has a shape and vertebral surfaces adapted in size to receive an implant or implants to be implanted in the space, and the method of implanting those implants.

2. Description of the Prior Art

The spinal disc that resides between adjacent vertebral bodies maintains the spacing between those vertebral bodies and, in a healthy spine, allows for relative motion between the vertebrae. With disease and/or degeneration a disc may become painful and/or mechanically insufficient warranting surgical fusion across the affected disc. Where fusion is intended to occur between adjacent vertebral bodies of a patient's spine, the surgeon typically prepares an opening at the site of the intended fusion by removing some or all of the disc material that exists between the adjacent vertebral bodies to be fused. Because the outermost layers of bone of the vertebral endplate are relatively inert to new bone growth, the surgeon must work on the endplate to remove at least the outermost cell layers of bone to gain access to the blood-rich, vascular bone tissue within the vertebral body. In this manner, the vertebrae are prepared in a way that encourages new bone to grow onto or through an implant that is placed between the vertebrae. An implant or insert may or may not promote fusion of the adjacent vertebral bodies, may be an artificial spinal disc, may permit surface ingrowth, and may be made of bone or inert material, such as titanium. All of these examples and more are implants.

Present methods of forming this space between adjacent vertebrae generally include the use of one or more of the following: hand held biting and grasping instruments known as rongeurs; drills and drill guides; rotating burrs driven by a motor; and osteotomes, chisels, and scraping implements. Surgeons often prefer a drilling technique due to its being ease, quick, and accurate. Sometimes the vertebral endplate must be sacrificed as occurs when a drill is used to drill across the disc space and deeper into the vertebrae than the thickness of the endplate. Such a surgical procedure is typically used to prepare a space in the spine for an implant having a circular cross section and necessarily results in the loss of the hardest and strongest bone tissue of the vertebrae, the endplate, and thereby robs the vertebrae of that portion of its structure best suited to absorbing and supporting the loads placed on the spine by everyday activity. Where the surgeon chooses to forego drilling a large bore across the disc space in an attempt to preserve that good bone he must nevertheless use one of the above instruments to work upon the endplates of the adjacent vertebrae to access the vascular, cancellous bone that is capable of participating in the fusion and causing active bone growth, and also to attempt to obtain an appropriately shaped surface in the vertebral bodies to receive the implant, which means and method are unreliable for that purpose.

There exists therefore a need for an improved surgical instrumentation and a related method for providing a space that is non-circular in cross section, and preferably a substantially quadrilateral space across the height of a disc space and into the adjacent surfaces of the adjacent vertebral bodies while taking advantage of the safe, easy, and accurate technique of boring or drilling into the spine to form a space and to shape the adjacent endplates to receive implants not typically associated with boring techniques.

SUMMARY OF THE INVENTION

Accordingly, it is an object of the present invention to permit the formation of a substantially quadrilateral space in a spine for inserting a spinal implant into a disc space between adjacent vertebral bodies.

Yet another object is to provide surgical instrumentation for preparing an interbody space to receive a spinal implant and a related method for working upon vertebral body endplates adjacent a disc space useful in any region of the human spine, specifically, the cervical, dorsal, or lumbar regions.

Additional objects and advantages of the invention will be set forth in part in the description which follows, and in part will be obvious from the description, or may be learned by practice of the invention. The objects and advantages of the invention will be realized and attained by means of the elements and combinations particularly pointed out in the appended claims.

To achieve the objects and in accordance with the purpose of the invention, as embodied and broadly described herein, the invention comprises a surgical instrument set for use in spinal surgery for forming a substantially quadrilateral space in the spine for implanting a spinal implant into a disc space between adjacent vertebral bodies and the methods for doing so.

An embodiment of the present invention includes an instrument set including a spinal marker for marking a location on the spine. The marker has a shaft and a disc penetrating extension extending from the shaft for insertion into the disc space between adjacent vertebral bodies. The shaft may have any number of cross sections including rectangular and circular. The marker preferably includes a shoulder for abutting against the exterior of the adjacent vertebral bodies. The disc penetrating extension of the marker preferably is tapered to facilitate insertion into the disc space. The shaft of the marker has a proximal end and an opposite distal end oriented toward the spine. The shaft of the marker preferably includes a passage having a dye receiver at the proximal end of the shaft of the marker and at least one dye exit hole at the distal end of the shaft of the marker for marking the spine. The marker preferably includes means for coupling to a syringe.

The instrument set includes a guard having an opening for providing protected access to the disc space and the adjacent surfaces of the vertebral bodies adjacent the disc space and having a disc penetrating extension extending from the guard for insertion into the disc space between the adjacent vertebral bodies and for bearing against the adjacent vertebral endplates of the adjacent vertebral bodies. The guard may have two disc penetrating extensions extending from the guard and diametrically opposed to each other. The disc penetrating extensions preferably has a leading-edge that may include either of a pointed, tapered, radiused, chamfered, or wedge tipped shape to ease insertion of the extensions into the disc space. The guard preferably is adapted to conform at least in part to the exterior of the

adjacent vertebral bodies. The guard may include a shoulder that conforms at least in part to the exterior of the adjacent vertebral bodies. The shoulder preferably curves to correspond to the external curvature of the adjacent vertebral bodies. The guard may further include means for engaging the adjacent vertebral bodies when in use. The guard includes a hollow shaft adapted to allow access through the hollow shaft to the disc space.

The instrument set further includes a guide for guiding a bone removal device. The guide has a shaft adapted for insertion into the guard. The guide includes means for guiding the formation of the substantially quadrilateral space across the height of the disc space and into the adjacent surfaces of the adjacent vertebral bodies. The guiding means preferably includes a plurality of guide bores. The plurality of guide bores may overlap one another. The plurality of guide bores may include three guide bores, and in particular may include a main guide bore and two secondary guide bores located to a side of the main guide bore. The main guide bore and the two secondary guide bores preferably are oriented such that the bores formed in the spine through the main guide bore and the two secondary guide bores form a first hole pattern, which when the guide is rotated 180 degrees and used to form a second hole pattern, the overlapping first and second hole patterns form the substantially quadrilateral space.

Another embodiment of the present invention further includes a secondary guide having a shaft adapted to be inserted into the guard. The secondary guide preferably includes means for guiding the formation of a bore centrally oriented within the space to be formed. The centrally oriented bore preferably contacts opposite side is of the substantially quadrilateral space to be formed.

The instrument set may also include a bone compactor having a shaft adapted for insertion into the guard. The shaft terminates in a compaction end. The compaction end preferably has an upper surface and a lower surface that presses upon the adjacent vertebral endplates of the adjacent vertebral bodies. The compaction end preferably has either a rectangular, trapezoid, or quadrilateral cross-section, or any other shape corresponding to the desired cross-section of the space to be formed in the spine. The compaction end may be any of beveled, radiused, or tapered to ease introduction of the bone compactor into the space. The bone compactor may have a trailing end having a dimension greater than the shaft to prevent over penetration of the bone compactor into the guard. Alternatively, the instrument set may include a tool having a sharpened leading end so as to formalize the flattening of the vertebral surfaces.

An embodiment of the invention also comprises a method for creating a substantially quadrilateral space in a spine for inserting a spinal implant into a disc space between adjacent vertebral bodies, comprising the steps of: positioning a guard into contact with the adjacent vertebral bodies for protecting access to the disc space and the adjacent vertebral bodies; and boring, through the guard, a plurality of bores across the disc space to form the substantially quadrilateral space across the height of the disc space and generally into the adjacent surfaces of the adjacent vertebral bodies, rather than deep into the vertebral bodies themselves.

An embodiment of the present invention may include the step of marking the spine for guiding, by reference marks, the proper location of the guard. The step of marking preferably includes inserting a penetrating extension of a spinal marker into a central point of the disc space between the adjacent vertebral bodies. An embodiment of the present

invention includes the step of placing dye spots on the spine by injecting the dye through openings in a shaft of the spinal marker. The depth of penetration of the marker into the disc space is controlled.

An embodiment of the method of the present invention includes the step of distracting the disc space between adjacent vertebral bodies, and in particular, the distracting step may include the step of inserting a distractor having a disc penetrating extension into the disc space between adjacent vertebral bodies and against endplates of the adjacent vertebral bodies. The depth of penetration of the distractor into the disc space is preferably controlled. The method may further include the step of changing disc penetrating extensions of the distractor in accordance with a desired distractor distance between adjacent vertebral bodies. The guard may be inserted over the distractor in the disc space, and then the distractor may be removed from within the guard.

The positioning step may include inserting at least one disc penetrating extension extending from the guard into the disc space between the adjacent vertebral bodies for bearing against endplates of the adjacent vertebral bodies. The insertion of the disc penetrating extension into the disc space in one embodiment of the preferred invention distracts the adjacent vertebral bodies. Another method of the present invention further includes the step of controlling a depth of penetration of the extension into the disc space. Another embodiment of the present invention includes the step of engaging the guard with the adjacent vertebral bodies through prongs extending from the guard and into the adjacent vertebral bodies.

The boring step may include the sub-step of using a template in association with the guard. The template may be rotated 180 degrees along its longitudinal axis. The boring step may include the sub-step of using either of a drill, mill, laser, burr, grinder, or other means to bore the plurality of bores. The plurality of bores may overlap. The boring step may include forming at least three bores in the spine to form a first bore pattern, and in particular may include forming at least a main bore and at least two secondary bores located to a side of the main bore. The main bore has a diameter that is preferably greater than a diameter of each of the two secondary bores. The main bore in the spine is preferably positioned to form a portion of three sides of the substantially quadrilateral space formed in the spine. Each of the two secondary bores are preferably positioned to form a portion of two adjacent sides of the substantially quadrilateral space formed in the spine. A second bore pattern having at least three bores in the spine may be formed such that the first and second bore patterns defined the substantially quadrilateral space. The substantially quadrilateral space may be one of a substantially rectangular shape and a substantially trapezoidal shape. Further a central bore can be utilized to increase the width of the space formed. The described "quadrilateral space" is defined to cover a space that is actually a generally flat upper and flat lower surface having a height therebetween that is symmetrical from side to side and that may be uniform from front to back or may be such that these opposed surfaces are in angular relationship to each other from front to back; to the extent that the sides of the space are located within the disc space and not the bone of the vertebral bodies their specific shape is not important, and need not be planar.

Further the invention may comprise the step of inserting a multiple passage drill guide into the guard to guide the formation of those bores. The guide may be inserted into the guard for guiding the forming of the first bore pattern. The

5

invention may further include the steps of removing the guide from the guard, rotating the guide 180 degrees along its longitudinal axis, reinserting the guide into the guard, and forming, through the plurality of openings in the guide, a second bore pattern, the first and second bore patterns defining the substantially quadrilateral space. The invention may further include the step of controlling the depth of penetration of the guide into the guard.

Yet another embodiment of the present invention includes the step of compressing outer edges of the substantially quadrilateral space. The step of compressing preferably includes inserting a compactor having a compaction end through the guard and into the substantially quadrilateral space formed in the spine. The step of compressing may also include inserting a bone chisel compactor having a sharpened cutting edge for cutting bone. The depth of penetration of the compactor into the disc space is preferably controlled. The step of compressing may include the sub step of inserting a spinal implant through the guard and into the substantially quadrilateral space formed in the spine to compress the outer edges on the substantially quadrilateral space.

Another embodiment of the present invention includes a surgical method to prepare a segment of a human spine having a disc and two vertebrae adjacent the disc to receive an implant that, by way of example and not limitation, may be for fusion between body portions of the adjacent vertebrae and through the space previously occupied by the disc, each of the adjacent vertebrae to be fused including a vertebral body having an endplate outer surface adjacent the disc space, and a subchondral zone immediately internal to each endplate, the method comprising: positioning a guard into contact with the adjacent vertebral bodies for protecting access to the disc space and the adjacent vertebral bodies; and forming, through the guard, a plurality of bores to form a substantially quadrilateral space in the spine across the height of the disc space and into the adjacent endplates of the vertebrae adjacent the disc space, the quadrilateral space being formed by the removal of at least bone from at least the adjacent endplates as deep as with, and generally not deeper than, the subchondral zone of each of the adjacent endplates.

It is understood that both the foregoing general description and the following detailed description are exemplary and exemplary only, and are not restrictive of the invention as claimed.

BRIEF DESCRIPTION OF THE DRAWINGS

The accompanying drawings, which are incorporated in and constitute a part of the specification, illustrate preferred embodiments of the invention. Together with the description, they serve to explain the objects, advantages and principles of the invention. In the drawings:

FIG. 1 is a leading end side perspective view of a midline spinal marker of the present invention;

FIG. 2 is a leading end view of the midline spinal marker of FIG. 1;

FIG. 2A is a cross-sectional view along lines X—X of FIG. 2;

FIG. 2B is a cross-sectional view along lines Y—Y of FIG. 2;

FIG. 3 is a trailing end side perspective view of the midline spinal marker of the present invention being inserted at the anterior vertebral midline into the disc space between adjacent vertebral bodies of a segment of the spine;

6

FIG. 4 is a cross-sectional view along lines 4—4 of FIG. 3 illustrating the spinal marker inserted into the disc space between two adjacent vertebral bodies along the vertebral midline;

FIG. 5 is a leading end side perspective view of a spinal distractor of the present invention;

FIG. 5A is a cross-sectional view along line 5A—5A of FIG. 5;

FIG. 6 is a trailing end side perspective view of the distractor of FIG. 5 with an impaction cap for driving the distractor into the disc space lateral to the midline (identified by reference mark) between the adjacent vertebral bodies of the spine;

FIG. 7 is a cross-sectional view along line 7—7 of FIG. 6 showing the distractor inserted in the disc space between the adjacent vertebral bodies on one side of the vertebral midline;

FIG. 8 is an exploded trailing end side perspective view of a guard providing protected access to the disc space and the adjacent surfaces of the vertebral bodies and an impaction cap of the present invention;

FIG. 9 is a leading end side perspective view of the guard of FIG. 8;

FIG. 10 is an exploded trailing end side perspective view of the guard of FIG. 8 for insertion over the distractor of FIG. 5 shown inserted in the disc space between two adjacent vertebral bodies and a corresponding impaction cap for seating the guard into the disc space;

FIG. 11 is a cross-sectional view along lines 11—11 of FIG. 10 showing the guard inserted over the distractor in the disc space between the adjacent vertebral bodies on one side of the vertebral midline;

FIG. 12 is a trailing end side perspective view of a guard positioned over the distractor and seated after impaction to the distractor by the impaction cap into the disc space and adjacent vertebral bodies on one side of the vertebral midline;

FIG. 12A is a longitudinal cross-sectional view along 12A—12A of FIG. 12 illustrating the guard positioned over the distractor and seated after impaction to the distractor by the impaction cap into the disc space and adjacent vertebral bodies on one side of the vertebral midline;

FIG. 13 is a trailing end side perspective view of an extraction instrument to remove the distractor from within the guard;

FIG. 14 is an exploded trailing end side perspective view of a drill guide (template) of the present invention for guiding a drill for insertion into the guard;

FIG. 15 is a cross-sectional view along lines 15—15 of FIG. 14 illustrating the guard of the present invention on one side of the vertebral midline;

FIG. 16 is an exploded trailing end side perspective view of the guard with the guide and with a large drill bit and a small drill bit used to remove bone from the adjacent vertebral bodies;

FIG. 17 is a cross-sectional view along lines 17—17 of FIG. 16 illustrating the guard, the large drill bit placed within the guide and extending into the disc space on one side of the vertebral midline;

FIG. 17A is a cross-sectional view through the leading end of the drill assembly in the spine along lines 17A—17A of FIG. 16 illustrating the guard, the large drill bit placed within the guide and extending into the disc space on one side of the vertebral midline;

FIG. 18 is a diagrammatic representation of the hole pattern formed with the guide and large and small drill bits of the present invention after a first drilling, then rotating the guide 180° and performing a second drilling;

FIG. 19 is a leading end side perspective view of a bone compactor of the present invention;

FIG. 20 is an exploded trailing end side perspective view of the compactor of FIG. 19 for insertion within the guard shown engaging the spine and inserted in the disc space between two adjacent vertebral bodies with an impactation cap for advancing the compactor into the disc space;

FIG. 21 is a cross-sectional view along lines 21—21 of FIG. 20 illustrating the compactor placed within the guard inserted into the disc space on one side of the vertebral midline;

FIG. 22A is a trailing end perspective view of a universal handle assembly of the present invention;

FIG. 22B is a leading end perspective view of the engagement mechanism of the handle of FIG. 22A shown in the locked position;

FIG. 22C is a leading end perspective view of the engagement mechanism of the handle of FIG. 22A shown in the unlocked position;

FIG. 23 is an exploded trailing end side perspective view of the guard in place with a handle for an implant driver and an implant for implanting through the guard and into the space between the two adjacent vertebral bodies created by the instrumentation and method of the present invention;

FIG. 24 is a fragmentary leading end view of the implant driver instrument of FIG. 23;

FIG. 25 is a cross-sectional view along lines 25—25 of FIG. 23 illustrating the implant driver instrument and implant inserted through the guard and into the space created between the two adjacent vertebral bodies on one side of the vertebral midline;

FIG. 26 is an exploded side perspective view of the guard, an extraction adapter for engaging the guard and, and an extraction instrument for engaging the adapter and for extracting the guard;

FIG. 27 is a side perspective view of the operated segment of the spine with the guard removed having a first implant inserted on one side of the midline and between and in part into the adjacent vertebral bodies in the space created by the instrumentation and method of the present invention and with the guard inserted on the opposite side of the vertebral midline next to the implant;

FIG. 28 is a cross-sectional view along lines 28—28 of FIG. 27 illustrating the implant positioned on one side of the vertebral midline in the space created by the instrumentation and method of the present invention and the guard inserted in the disc space on the opposite side of the vertebral midline and next to the implant;

FIG. 29 is an exploded side perspective view of a segment of the spine prepared to receive two implants with the instrumentation and method of the present invention;

FIG. 29A is a top perspective view of the lower vertebral body of the segment of the spine of FIG. 29;

FIG. 30 is a trailing end perspective view of a spacer of the present invention;

FIG. 31 is a leading end perspective view of a spacer of the present invention;

FIG. 32 is a side elevational view of two adjacent vertebral bodies in lordosis with an implant inserted into a space created between two adjacent vertebral bodies in which the

created space has a lordotic configuration with an implant having parallel upper and lower surfaces maintaining the angular relationship of the adjacent vertebral bodies;

FIG. 33 is a side elevational view of two adjacent vertebral bodies in lordosis with a lordotic implant placed between the two adjacent vertebral bodies in a space created between the two adjacent vertebral bodies;

FIG. 34 is an exploded trailing end side perspective view of a second embodiment of the guard of the present invention for placement into a segment of the spine having a removable insertion end and an adapter and a handle assembly;

FIG. 35 is a side elevational view of the removable insertion end having extended portions with an anatomical configuration;

FIG. 35A is a side elevational view of an alternative embodiment of a removable insertion end;

FIG. 35B is a side elevational view of yet another alternative embodiment of a removable insertion end;

FIG. 36 is a fragmentary view of the leading end of the guard of FIG. 34;

FIG. 37 is an exploded trailing end side perspective view of the guard of FIG. 34 inserted in the disc space between two adjacent vertebral bodies for receiving a drill (template) guide of the present invention;

FIG. 38 is a cross-sectional view along lines 38—38 of FIG. 37 illustrating the guard inserted into the disc space between two adjacent vertebral bodies on one side of the vertebral midline;

FIG. 39 is a trailing end side perspective view of the guard with the drill guide inserted into the guard and with a large drill bit and a small drill bit of the present invention used to remove bone from the adjacent vertebral bodies;

FIG. 40 is a trailing end side perspective view of the guard inserted on one side of the vertebral midline and into the disc space between two adjacent vertebral bodies and a central bore guide of the present invention for insertion therein;

FIG. 41 is a trailing end side perspective view of the central bore guide inserted in the guard and the large drill and a handle assembly of the present invention;

FIG. 42 is a diagrammatic illustration of the hole pattern formed with the guide and the large and small drill bits of the present invention;

FIG. 43 is a diagrammatic illustration of the hole pattern formed after the drill guide instrument is flipped 180 degrees and additional holes are drilled with the large and small drill bits of the present invention;

FIG. 44 is a diagrammatic illustration of the space created with the drill guide method of FIG. 43, but where the space to be prepared is wider than in FIG. 43;

FIG. 45 is the configuration of the space created with the drill guide instrument and the holes drilled as shown in FIG. 44;

FIG. 46 is a diagrammatic illustration of a hole drilled with a central bore drill guide into the space of FIG. 45 of the present invention;

FIG. 47 is the configuration of the space created with the drill guide instrument and central bore drill guide instrument of FIG. 46 of the present invention;

FIG. 48 is another diagrammatic illustration of a space created with multiple holes drilled with a central bore drill guide in accordance with the present invention to prepare a still wider space;

FIG. 49 is a perspective view of a spinal fusion implant oriented in an initial insertion position and configured for

clockwise rotation within the disc space, the top and bottom walls thereof being tapered relative to one another for inducing angulation of the adjacent vertebral bodies;

FIG. 50 is a side perspective view of a vise adapted to hold the implant of FIG. 49 for loading the implant with fusion promoting substances; and

FIG. 51 is a side perspective view of the vise of FIG. 50 holding the implant of FIG. 49.

DETAILED DESCRIPTION OF THE DRAWINGS

Reference will now be made in detail to the present preferred embodiment of the invention, as illustrated in the accompanying drawings.

FIGS. 1–28 are generally directed to an embodiment of an instrument set having a rectangular cross-section for use in spinal surgery for forming a substantially quadrilateral space in the spine. FIGS. 34–41 are generally directed to another embodiment of the present invention surgical instrument set having a circular cross-section for forming a substantially quadrilateral space in the spine. FIGS. 29, 29A, 32, 33, and 42–48 generally show the space formed in the spine by the instrument sets of FIGS. 1–28 and 34–41 with implants for placement in the created space. FIGS. 49–51 generally show an implant and vise adapted to hold the implant for loading the implant with fusion promoting substances. An instrument set for use in spinal surgery is used to form a substantially quadrilateral space in the spine for implanting a spinal implant into a disc space between adjacent vertebral bodies.

The anterior aspect (front) of the spine may be exposed either by opening a surgical incision large enough to allow direct visualization or laproscopically with a small opening to allow instruments to be placed through the body from outside the body for visualization through an endoscope. The vertebral midline, which bisects the vertebral bodies along the longitudinal axis of the spinal column separating left from right is identified by the surgeon. As shown in FIGS. 1–4, an exemplary embodiment of a midline marker 100 of the present invention preferably is used to create reference marks at the vertebral midline on the disc material and on the adjacent vertebral bodies in a segment of the spine. Marker 100 has a shaft 102 terminating in an insertion tip 104 having a tapered leading edge 106 allowing it to be placed into a multitude of discs having various heights. Tapered leading edge 106 facilitates the insertion of marker 100 into the disc material contained in the disc space between two adjacent vertebral bodies. The juncture of shaft 102 and insertion tip 104 of marker 100 forms a shoulder 108 for butting against the anterior aspect of the adjacent vertebral bodies and thus prevents unwanted over penetration of insertion tip 104 into the disc space. Also located at shoulder 108 at the anterior aspect of shaft 102 are a plurality of dye exit holes 110. Dye exit holes 110 are in communication via a passage 112 with a syringe engaging well 114 located at a trailing end or proximal end 116 of shaft 102. Well 114 is adapted to receive the tip of a syringe (not shown), or any other well-known device for containing and injecting a dye into marker 100. A preferred marker 100 has advantages over a needle due at least in part to having a shoulder for preventing over penetration of the disc space or having the ability to provide multiple marks on the spine via multiple dye exit holes.

After marker 100 is inserted into the disc space, it may have its position confirmed radiographically to make sure that insertion tip 104 is accurately positioned at the vertebral midline and to assess the depth of the disc space relative to

the known length of insertion tip 104. After marker 100 is correctly placed at the vertebral midline, a dye such as indigo carmine dye preferably is attached to marker 100 at well 114 at proximal end 116 of shaft 102. With injection, the dye flows through passage 112 within shaft 102 of marker 100 and exits dye exit holes 110 to create reference marks 118 at the vertebral midline on the adjacent vertebral bodies and on the disc material. The position of reference marks 118 corresponds to dye exit holes 110 at the leading end or distal end 120 of shaft 102 of marker 100. Marker 100 is then removed from the disc space and reference marks 118 remain on the vertebral bodies and disc material. Reference marks 118 are visible to the surgeon and are used as alignment reference points in guiding instruments into the spine.

As embodied herein, and as shown in FIGS. 5–7, an instrument set of the present invention may include a distractor 130 that urges two adjacent vertebral bodies apart and maintains the vertebral bodies in a selected spatial relationship to each other. Distractor 130 comprises a shaft 132 capable of receiving a graduated series of removable, partially hollow tips 134. The junction of shaft 132 and tip 134 forms a shoulder 136 that abuts against the two adjacent vertebral bodies when tip 134 is inserted between the two adjacent vertebral bodies. Shoulder 136 of shaft 132 preferably curves to correspond to the external curvature of the vertebral bodies adjacent the disc space in which distractor 130 is inserted. Tip 134 is preferably, but not requisitely, hollow to facilitate insertion into the disc material and to avoid displacing its own volume that might cause disc protrusion. Tip 134 has a height at its distal end of approximately 4–16 mm that increases to approximately 7–20 mm at the junction of tip 134 with shoulder 136 of shaft 132 to facilitate insertion of tip 134 into the disc space. When used anteriorly, tip 134 is generally of a lesser height at the leading end. A length of approximately 15–30 mm is preferred for use from anterior to posterior. The length of tip 134 is preferably 15–42 mm for use translaterally. The increase in height along tip 134 also may be used to position the two adjacent vertebral bodies in an angular spatial relationship, such as to create lordosis. Shaft 132 is preferably hollow to reduce the overall weight of distractor 130.

A proximal end 138 of distractor 130 comprises an extraction head 140 for coupling to an extraction instrument 150 described in detail below. While a preferred embodiment is shown, it is appreciated that a variety of configurations at proximal end 138 of distractor 130 could be utilized for the intended purpose, including but not limited to, threads, key-ways that rotate and lock, male and female interlocking parts and the like without departing from the present teaching. Insertion of distractor 130 into the disc space preferably is guided by reference marks 118 created by marker 100. During insertion of distractor 130, shaft 132 of distractor 130 preferably is positioned to one side of the vertebral midline marked by reference marks 118.

Tip 134 of distractor 130 may be driven into the disc space by an impaction force imparted to distractor 130 through an impaction cap 160 which couples to proximal end 138 of distractor 130 and prevents damage to end 138 of distractor 130. In yet another alternative embodiment, an adapter engages distractor removing engagement means and the adaptor engages at its opposite end to a “T” handle that can be utilized with or without a mallet to install or remove distractor 130, or any of the other instruments that at their trailing ends are similarly configured. The depth of insertion of tip 134 of distractor 130 into the disc space is sufficient to achieve the desired distraction and vertebral alignment

and is limited by shoulder **136** that abuts the two adjacent vertebral bodies to prevent any unwanted movement of tip **134** beyond the disc space.

As embodied herein, and as shown in FIGS. 8–11, an instrument set of the present invention may include a guard **170** having a hollow body **172** that terminates in an insertion end **174** that preferably curves to correspond to the external curvature of the two adjacent vertebral bodies of the spine. Extending from insertion end **174** of guard **170** are a pair of disc penetrating extensions **176** that are diametrically opposite one another on the sides of guard **170**. Each of extensions **176** preferably have a wedged tip to facilitate insertion into the disc material between the two adjacent vertebral bodies. Extensions **176** have a height that preferably is less than the height of guard **170** such that a shoulder **178** is formed at the distal end **180** of guard **170** in which shoulder **178** functions as a depth limiting stop to prevent over penetration of extension **176** into the disc space.

Preferably, protruding from insertion end **174** of guard **170** also is a pair of prongs **182** for engaging the bone of the vertebral bodies. Prongs **182** function to engage guard **170** to the two adjacent vertebral bodies and to hold the two adjacent vertebral bodies in a selected spacial relationship. A proximal end **184** of guard **170** is open to permit insertion of instruments and implants into guard **170** as described in detail below. The internal opening of guard **170** is suitably dimensioned for receiving distractor **130**. For laproscopic use, proximal end **184** of guard **170** can be attached to a laproscopic port allowing for the passage of instruments through the port and guard **170** while effecting a fluid and gas seal.

As embodied herein, and as shown in FIGS. 10 and 11, with distractor **130** inserted between the two adjacent vertebral bodies, guard **170** slidably engages proximal end **138** of distractor **130** and advances toward the spine with distractor **130** functioning as a guide post for aligning guard **170**. Guard **170** seats into position with an impaction force imparted onto proximal end **184** of guard **170** via a large impaction cap **160**. As shown in FIG. 12, impaction cap **160** has an internal configuration capable of receiving extraction head **140** of distractor **130** and has a shoulder portion **162** for abutting proximal end **184** of guard **170**. Once extraction head **140** contacts the internal part of impaction cap **160**, guard **170** can no longer advance and thus serves as a depth limiting stop. Guard **170**, like distractor **130** and the bone compactor can also be installed and removed by use of the slap hammer, or an adaptor and mallet.

With particular reference to FIGS. 11, 12, and 12A, after guard **170** seats against and engages the spine, extensions **176** are positioned in the disc space at opposite sides of the insertion end of distractor **130**. Extensions **176** serve to create or maintain a selected spacial relationship of the two adjacent vertebral bodies and also serve as guards to keep the surgical procedure within the area between extensions **176** and to prevent any unwanted movement of an instrument or implant outside of the area between extensions **176**.

In an alternative embodiment of the present invention, guard **170** may be inserted directly into the spine without recourse to the preliminary use of distractor **130**. In that case, it is preferred that the leading end of extensions **176** of guard **170** be configured so as to both facilitate the easy introduction of guard **170** into the disc space, and so as to urge the vertebral bodies apart into a distracted state. For this purpose, the most distal end of extensions **176** themselves would have a lesser height than the remainder of extensions **176** and preferably a pointed, tapered, radiused, or cham-

fered shape. It should be recognized that while the present instrument set provides means for identifying and achieving the optimal intervertebral distraction prior to the removal of any bone, it also provides for adjusting it later in the procedure via graduated spacer blocks and graduated guards having a variety of heights. While it is believed that the predistracted of the intervertebral space prior to bone removal is desirable, it is not requisite and it is anticipated that the present instrument set allows for the distraction of the intervertebral space later in the procedure, and/or by the insertion of the implant itself.

As shown in FIG. 13, once guard **170** is seated, distractor **130** preferably is removed with an extraction instrument **150** which couples to extraction head **140** and may be advanced away from the spine with slap-hammer style advancement or pulled with a handle which couples to an end of extraction instrument **150**.

As embodied herein, and as shown in FIGS. 14–18, an instrument set of the present invention may include a guide **190** for creating a quadrilateral space, or more particularly a rectangular space between the two adjacent vertebral bodies. Guide **190** preferably has a large bore **192** and two small bores **194** to one side of large bore **192**. Guide **190** has a shaft **196** terminating in an insertion end **198** that is inserted into guard **170**. Guide **190** also has a trailing end **200** that preferably has a dimension greater than the inside opening of guard **170** that functions as a depth limiting stop to prevent further insertion of guide **190** into guard **170**.

With particular reference to FIGS. 17 and 17A, a large drill bit **210** is shown having a longitudinal shaft **212** terminating at one end in a cutting portion **214** and having an engagement head **216** at the other end for engaging a rotating device, such as a handle or a power driven motor. A trailing end **218** of large drill bit **210** also includes a stop member **220** for abutting the surface of trailing end **200** of guide **190** to prevent unwanted over penetration of large drill bit **210** into the disc space. Large drill bit **210** is configured and dimensioned for placement through large bore **192** of guide **190**.

Similarly, a small drill bit **230** terminates in a cutting end **232** and has an engagement head **234** for engaging a rotating handle or rotating motor. A trailing end **236** of small drill bit **230** also has an enlarged portion **238** for abutting the trailing end **200** of guide **190** to prevent unwanted over penetration of small drill bit **230** into the disc space.

In use, large drill bit **210** passes through large bore **192** in guide **190** to position the cutting portion **214** into the disc space and then is rotated to remove bone from the endplates of the two adjacent vertebral bodies. Large and small drill bits **210**, **230** can be turned by a “T” handle or preferably by use of a power drill. Similarly, small drill bit **230** passes through small bores **194** of guide **190** to position cutting end **232** into the disc space and then rotates to remove bone from the endplates of the adjacent vertebral bodies. As shown in FIG. 17, extensions **176** of guard **170** protect the unwanted movement of large and small drill bits **210**, **230** in a lateral or transverse direction and confine the drilling products so that they are evacuated by drill bits **210**, **230**.

As shown in FIG. 18, the holes created with large drill bit **210** and small drill bit **230** form a pattern as indicated in solid lines in the drawing.

After the first three holes have been drilled, guide **190** is removed from within guard **170**. Guide **190** then is rotated 180 degrees and reinserted into guard **170**. Guide **190** now is oriented such that large bore **192** is positioned over the area in which the small holes were previously drilled and

small bores **194** are positioned over the area in which the large bore was previously drilled. The drilling procedure with large drill bit **210** and small drill bit **230** is repeated to create a pattern of holes as indicated by the dotted lines in FIG. **18**. The result of this drilling procedure, is the removal of a portion of bone from the endplates of the adjacent vertebral bodies creating a space approximating the configuration of a rectangle.

Although the drilling of the bone of the endplates creates a space with a configuration that approximates the shape of a rectangle, if desired a perfect rectangle may be obtained by use of a rectangular bone compactor.

As shown in FIGS. **19–21**, a box-shaped bone compactor **240** has a shaft **242** terminating in a compaction end **244**. Compaction end **244** of shaft **242** may include beveled, radiused, or thinned edges to ease introduction. Compactor end **244** compresses any remaining bony protuberances into the vertebral bodies achieving a perfectly rectangular space. A trailing end **246** of shaft **242** may include an extraction head **248** for coupling to an extraction instrument **150**.

In a preferred embodiment, there is no fixed stop until approximately 32–36 mm, so that a slotted and calibrated impaction cap **260** can be used to predictably and adjustably insert compaction end **244** into the intervertebral space to the desired optimal depth. Alternatively, compactor **240** can have a fixed depth limiting means. As a further alternative, leading edges **250** of compactor **240** can be sharpened so that it functions wholly or in part as a chisel to cut rather than compact the bone. This is considered less desirable, though still workable, than the preferred compaction end **244** by which the density of the bone at the prepared recipient site is actually increased by the compaction process.

Compactor **240** is inserted into guard **170** and advanced by an impaction force imparted to the trailing end **246** of compactor **240** by an impaction cap **260** similar to the impaction cap previously described above. The advancement of compaction end **244** of compactor **240** impacts the remaining portions of the bone that were not removed in the drilling step previously described into the vertebral bodies themselves.

As an alternative to compactor **240**, trial size spacers **291** resembling implants **290** with either smooth or abraded surfaces may be impacted into the space to complete the flattening of the opposed bone surfaces.

As shown in FIGS. **22A–C**, a handle assembly **270** is shown for coupling to the drilling instrumentation and other instruments of the present invention. Compactor **240** is removed from within guard **170** by coupling to extraction instrument **150** and advanced outside of guard **170** with extraction instrument **150** shown in FIGS. **13** and **26**.

FIGS. **23–25** show a driver **280** for inserting an intervertebral implant **290** into the created space between the two adjacent vertebral bodies. Driver **280** has a leading end **282** configured to cooperatively engage an implant **290**. As shown in FIG. **24**, driver **280** has a threaded portion **284** and a non-threaded pin **286** extending from the leading end **282** for insertion into corresponding openings in the trailing end of the implant **290**. Threaded portion **284** is rotatable by a knob **288** at the opposite end of driver **280** so as to threadably couple driver **280** to implant **290**. Driver **280** has a handle coupling means **289** for coupling to handle assembly **270** for controlling driver **280**.

After implant **290** is coupled to driver **280**, implant **290** and leading end **282** of driver **280** are inserted into guard **170** and advanced towards and into the created space between

the two adjacent vertebral bodies. After implant **290** has been placed within the created space by use of the “T” handle with or without impaction of the slap hammer, or an adaptor and a mallet, knob **288** of driver **280** is rotated to uncouple implant **290** from driver **280**. Driver **280** then is removed from within guard **170** leaving implant **290** inserted in the created space.

It is clearly anticipated that while the specific configuration of the preferred ends has been described, that a variety of threaded and non-threaded means for coupling implants **290** to driver **280** could in the alternative be employed without departing from the present inventive concept.

FIG. **26** shows guard **170** being removed from the disc space and from the adjacent vertebral bodies with extraction assembly **150** which couples to an extraction adapter **152** configured to fit within the proximal end **184** of guard **170**. Extraction adapter **152** is locked into place by a spring-biased butterfly member that fits into corresponding notches at the proximal end **184** of guard **170**. After extraction assembly **150** is coupled to guard **170**, extraction assembly **150** is advanced away from the spine with a slap-hammer style motion or any other suitable means to remove guard **170** from the spine. After guard **170** is removed, implant **290** remains in place in the created space between the endplates of the two adjacent vertebral bodies.

FIGS. **27** and **28** show that the procedure being repeated on the opposite side of the vertebral midline. Distractor **130** and guard **170** are rotated 180 degrees to conform to the curvature of the vertebral bodies on the second side of the vertebral midline. The above steps for the present invention are repeated for inserting guard **170** into position on the opposite side of the vertebral midline. As shown in FIG. **28**, first implant **290** is positioned and remains within the created space between the adjacent vertebral bodies and guard **170** is positioned on the opposite side of the vertebral midline to first implant **290**.

As shown with implant **290** in FIG. **29** and a spacer block **291** in FIG. **31**, either of implant **290** or spacer block **291** may be inserted in the space created in the spine. As shown in FIGS. **30** and **31**, spacer block **291** may have an external configuration similar to that of the implant, except that it may be more or less solid. It is appreciated that spacer blocks **291** and implants **290** may be wedged-shaped or rectangular so as to adjust the angular relationship of the vertebral bodies to each other.

As shown in FIGS. **32** and **33**, the instrumentation and method of the present invention may be used to create or maintain lordosis of the spine in at least two ways and to accept both generally rectangular and trapezoidal implants. As shown in FIG. **32**, the created space may be formed at an angle to the vertebral endplates, such that the planes of the top and bottom surface of the created space are in an angular relationship to each other. The two adjacent vertebral bodies are positioned in angular relationship to each other with the insertion of implant **290** having parallel upper and lower surfaces within the created space. The insertion of implant **290** into the angular space causes the vertebral bodies to be placed in an angular relationship.

FIGS. **32** and **33** show two adjacent vertebral bodies in a desired lordotic angular relationship. In FIG. **32**, the space was created by means of the shape of extensions **176** on guard **170** during the drilling and compaction procedure. A rectangular space was formed with more bone removed posteriorly than anteriorly in anticipation of receiving a generally rectangular implant **290**. This is a preferred stable configuration as the compressive loads of the spine onto

implant **290** are received generally perpendicular to the surface (rather than on an angle that might urge the implant forward or backwards). Additionally, once installed implant **290** is blocked from further penetration by the wall of bone created by the removal of the bone before it, and is blocked from backing out because the implant upper and lower surfaces would need to move against the inclined slanted surfaces of the vertebral bodies in order to move and that would require significantly more energy than remaining in the more stable position of being fully installed.

For the space shown in FIG. **33**, extensions **176** of guard **170** were positioned between the vertebral bodies so that the adjacent vertebral surfaces were generally parallel during the creation of the recipient space. This was done in anticipation that the desirable lordosis would be achieved by the use of an implant at least in part generally trapezoidal in shape, or having upper and lower surfaces for engaging the adjacent vertebral bodies, which surfaces are in a non-parallel angular relationship to each other.

While this is theoretically a less stable configuration than that previously described, it offers the advantage that the amount of bone removal is minimal but sufficient for its intended purpose and the thickness of the bone removed is more uniform in thickness.

As shown in FIG. **33** instead of creating an angular space, the created space may have parallel upper and lower surfaces. The two adjacent vertebral bodies are positioned in an angular relationship to each other with the insertion of an implant having upper and lower surfaces that are angled toward each other.

FIGS. **34–41** show a second set of instrumentation similar to the first in that it provides both for the creation of a generally rectangular or trapezoidal space in a non-traumatic way and for the insertion of an implant through the same instrumentation, but differs in that the guard is generally cylindrical while the prior guard was generally rectangular. A rectangular shape has less volume and space than a cylindrical shape, which has no corners and is less expensive to manufacture.

FIGS. **34–36** show a second embodiment of a guard of the present invention. Guard **370** has a hollow body **372** that terminates in an insertion end **374**, which is removably coupled to body **372**. The distal end **380** of guard **370** is curved to correspond to the external curvature of the two adjacent vertebral bodies the spine. Extending from the insertion end **374** are a pair of extensions **376** in a diametrically opposite position on the sides of the insertion end **374**. Each of the two extensions **376** have a suitable configuration to facilitate insertion into the disc material between the two adjacent vertebral bodies. As shown in FIG. **35**, extensions **376** may have an “anatomic” configuration to conform to the contours of the vertebral endplates adjacent to the disc space in which guard **370** is to be inserted. Preferably, but not requisite, also protruding from the insertion end **374** are a pair of prongs **382** for engaging the bone of the adjacent vertebral bodies. Prongs **382** function cooperatively with extensions **376** to engage guard **370** to the adjacent vertebral bodies and to hold the two adjacent vertebral bodies in a selected spacial relationship. The proximate portion of insertion end **374** may include a threaded portion for threadably coupling to body **372** of guard **370**. It is appreciated that other coupling means are anticipated without departing from the scope of the present invention.

FIG. **36** shows body **372** having a collar **404** which has a thread to engage the threaded portion of the removable insertion end **374**. Guard **370** provides the added advantage

of having interchangeable removable insertion ends **374** with different shaped extensions depending on the surgical procedure being employed. For example, instead of having an anatomical configuration, the extensions may have a parallel configuration as shown in FIG. **35A** or may have a wedged configuration as shown in FIG. **35B**, so as to allow the surgeon to achieve the desired angular relationship of the vertebral bodies to be fused.

Proximal end **384** of hollow guard **370** is open to permit the insertion of other instruments and implants into the guard as described herein. As with the previously described guard, a closeable part may be connected to the proximal end **384** of this guard for laproscopic use allowing for the passing of instruments through guard **370** while providing for a gas and fluid seal.

Guard **370** is seated into the disc space and engaged to the spine by being manually advanced or by imparting an impaction force onto the proximal end **384** of guard **370**. As shown in FIG. **34**, an insertion and extraction handle assembly **270** is shown with a coupling member for engagement to proximal end **384** of guard **370**.

As shown in FIG. **38**, after guard **370** is properly seated and engaged to the spine, extensions **376** are positioned in the disc space between the two adjacent vertebral bodies on one side of the vertebral midline. Extensions **376** serve to maintain the spacial relationship of the two adjacent vertebral bodies and also serve as guards to maintain an instrument or implant within the area between extensions **376** and to prevent any unwanted movement of an instrument or implant outside of the area between extensions **376**.

FIG. **37** shows a guide **390** for creating a rectangular space between the two adjacent vertebral bodies. Guide **390** comprises a large bore **392** and two small bores **394** to one side of large bore **392**. Guide **390** has a shaft **396** terminating in an insertion end **398** that is capable of being inserted into guard **370** and has a trailing end **400** having a dimension greater than the inside opening of guard **370** so as to act as a depth limiting stop to prevent further insertion of **390** guide into guard **370**. Moreover, guide **390** is prevented from rotating within guard **370** by pins **402**, which fit into the corresponding grooves at the proximal end **384** of the guard **370**.

FIG. **39** shows a large drill bit **410** and a small drill bit **430** configured similarly to large and small drill bits **210**, **230** described above with specific reference to FIG. **16**. In use large drill bit **410** is passed through large bore **392** in guide **390** to position cutting end **414** into the disc space and is then rotated to remove bone from the endplates of the two adjacent vertebral bodies. Similarly, small drill bit **430** is passed through the small bores **394** of guide **390** to position cutting end **432** into the disc space and then rotated to remove bone from the endplates of the adjacent vertebral bodies.

As shown in FIG. **42**, the holes created with large drill bit **410** and small drill bit **430** form a pattern as indicated in the dotted lines. After the first three holes have been drilled to provide a large hole L and two small holes S, guide **390** is removed from within guard **370** and guide **390** is rotated a 180 degrees and reinserted into guard **370**. Guide **390** is now oriented such that large bore **392** is positioned over the area in which the small holes S were drilled and small bores **394** are positioned over the area in which the large hole L was drilled. The drilling procedure with large drill bit **410** and small drill bit **430** is repeated to create a pattern of holes as indicated by the dotted lines in FIG. **43**. As a result of this drilling procedure, a substantial portion of bone is removed

from the endplates of the adjacent vertebral bodies creating a space approximating the configuration of a rectangle.

As shown in FIG. 40, as the central portion of the space created may not have all of the bone removed from the drilling procedure through guide 390, a central bore guide 500 may be inserted into guard 370. Central bore guide 500 has a large bore 502 that is centrally placed, such that when large drill bit 410 is passed through central bore guide 500, the portion of bone remaining in the central portion of the space being created can be removed. As shown in FIG. 44, the use of central bore guide 500 may be of particular value in removing remaining bone where guide 390 has a hole pattern that when reversed provides for a lesser amount of overlap of bores formed through large bore 392. FIG. 45 shows the space created with the drilling procedure through FIG. 44. Central hole C created with central bore guide 500 is shown in dotted line in FIG. 46.

As shown in FIG. 47, the space created with the drilling procedure with the present invention results in a substantial portion of bone being removed from the endplates of the adjacent vertebral bodies creating a space that more closely approximates the configuration of a rectangle.

FIG. 48 shows a space created with the drilling procedure of the present invention to prepare a still wider space with a template pattern for the guide having a hole pattern that uses an offset central drill guide to drill two additional large bores to remove additional bone to form the space.

By way of example only, impacted implant 290 has been illustrated as one type of implant that could be inserted into the opening formed in the spine by the various embodiments of instrumentation and methods of the present invention. By way of another example, without limitation to use of any other type of implant, a self-broaching, rotatable impacted implant such as disclosed in U.S. application Ser. No. 09/429,628, which is hereby incorporated by reference herein, could also be inserted into the opening formed in the spine by the instrumentation and methods disclosed herein.

With reference to FIG. 49, an interbody spinal fusion implant is indicated generally as 600. The implant has a body 602 having an insertion end 604, a trailing end 606, opposed side walls 608, and opposed upper and lower walls 610. Body 602 has a cross section with side walls 608 intersecting the upper and lower walls 610 at junctions that are preferably two diametrically opposed corners and two diametrically opposed arcs. Fin-like projections 612 extend outwardly from respective ones of upper and lower walls 610 and are adapted to penetrate the vertebral endplates of the adjacent vertebral bodies upon rotation of implant 600 while the upper and lower walls 610 support the vertebral endplates of those adjacent vertebral bodies. Body 602 of implant 600 preferably includes a hollow portion that may be accessed through a cap 614 that is preferably located on an end of implant 600. The hollow portion is adapted to contain fusion promoting material including, but not limited to, bone, in any of its varied forms, hydroxyapatite, coral, bone morphogenetic proteins, genes coding for the production of bone, and agents with the ability to induce cells to become osteoblasts or to make bone.

As shown in FIGS. 50 and 51, a vise 700 has surfaces 702 adapted to cooperatively receive fins 612 and thereby cover the openings between fins 612. While holding implant 600 in vise 700 with cap 614 removed from implant 600, fusion promoting material may be compressively loaded into implant 600. Fusion promoting material may be loaded into implant 600 until the material is extruded from openings in side walls 608.

Having described certain preferred embodiments of the surgical instrument set of the present invention, the method for creating a substantially quadrilateral space in a spine will now be described in more detail. A method for creating a substantially quadrilateral space in a spine for inserting a spinal implant into a disc space between adjacent vertebral bodies, comprises the steps of: positioning guard 170 into contact with the adjacent vertebral bodies for protecting access to the disc base and the adjacent vertebral bodies; and boring, through guard 170, a plurality of bores across the disc space to form the substantially quadrilateral space across the height of the disc space and into the adjacent surfaces of the adjacent vertebral bodies.

The present invention may include the step of marking the spine for guiding, by reference marks, the proper location of guard 170. The step of marking preferably includes inserting a penetrating extension of a spinal marker 100 into a central point of the disc space between the adjacent vertebral bodies. An embodiment of the present invention includes the step of placing dye spots on the spine by injecting the dye through openings in a shaft 102 of spinal marker 100. The depth of penetration of marker 100 into the disc space is controlled.

Yet another embodiment of the method of the present invention includes the step of distracting the disc space between adjacent vertebral bodies, and in particular, the distracting step may include the step of inserting a distractor 130 having a disc penetrating extension into the disc space between adjacent vertebral bodies and against endplates of the adjacent vertebral bodies. The depth of penetration of distractor 130 into the disc space is preferably controlled. The method may further include the step of changing disc penetrating extensions of distractor 130 in accordance with a desired distractor distance between adjacent vertebral bodies. Guard 170 may be inserted over distractor 130 and the disc space, and then distractor 130 may be removed from within guard 170. The positioning step may include inserting at least one disc penetrating extension 176 extending from guard 170 into the disc space between the adjacent vertebral bodies for bearing against endplates of the adjacent vertebral bodies. The insertion of disc penetrating extension 176 into the disc space in one embodiment of the preferred invention distracts the adjacent vertebral bodies. Another method of the present invention further includes the step of controlling a depth of penetration of extension 176 into the disc space. Another embodiment of the present invention includes the step of engaging guard 170 with the adjacent vertebral bodies through prongs 182 extending from guard 170 and into the adjacent vertebral bodies.

The boring step may include the sub-step of using a template in association with guard 170. The template may be rotated 180 degrees along its longitudinal axis. The boring step may include the sub-step of using either of a drill, mill, laser, or grinder to bore the plurality of bores. The plurality of bores may be overlapping, circular, or both. The boring step may include forming at least three bores in the spine to form a first bore pattern, and in particular may include forming at least a main bore and at least two secondary bores located to a side of the main bore. The main bore has a diameter that is preferably greater than a diameter of each of the two secondary bores. The main bore in the spine is preferably positioned to form a portion of three sides of the substantially quadrilateral space formed in the spine. Each of the two secondary bores are preferably positioned to form a portion of two adjacent sides of the substantially quadrilateral space formed in the spine. A second bore pattern having at least three bores in the spine may be formed such

that the first and second bore patterns defined the substantially quadrilateral space. The substantially quadrilateral space may be one of a substantially rectangular shape and a substantially trapezoidal shape.

Further the invention may comprise the step of inserting a multiple passage drill guide **190** into guard **170**. Guide **190** may be inserted into guard **170** for guiding the forming of the first bore pattern. The invention may further include the steps of removing guide **190** from guard **170**, rotating guide **190** one hundred-eighty degrees along its longitudinal axis, reinserting guide **190** into guard **170**, and forming, through the plurality of openings in guide **190**, a second bore pattern, the first and second bore patterns defining the substantially quadrilateral space. The invention may further include the step of controlling the depth of penetration of guide **190** into guard **170**.

Another embodiment of the present invention includes the step of boring a centralized bore within the substantially quadrilateral space. The centralized bore preferably forms a portion of opposite sides of the substantially quadrilateral space. Further the invention may include the step of inserting a secondary guide **500** into guard **170** and further forming, through an opening in secondary guide **500**, a centralized bore within the substantially quadrilateral space.

Yet another embodiment of the present invention includes the step of compressing outer edges of the substantially quadrilateral space. The step of compressing preferably includes inserting a compactor **240** having a compaction end **244** through guard **170** and into the substantially quadrilateral space formed in the spine. The step of compressing preferably includes inserting compactor **240** having compaction end **244** having a sharpened cutting edge for cutting bone. The depth of penetration of compactor **240** into the disc space is preferably controlled. The step of compressing may include the sub step of inserting a spinal implant through guard **170** and into the substantially quadrilateral space formed in the spine to compress the outer edges on the substantially quadrilateral space.

Another embodiment of the present invention includes a surgical method to prepare a segment of a human spine having a disc and two vertebral bodies adjacent the disc for fusion between body portions of the adjacent vertebral bodies and through the space previously occupied by the disc, each of the adjacent vertebral bodies to be fused including a vertebral body having an endplate outer surface adjacent the disc space, and a subchondral zone immediately internal to each endplate, the method comprising: positioning a guard **170** into contact with the adjacent vertebral bodies for protecting access to the disc space and the adjacent vertebral bodies; and forming, through guard **170**, a plurality of bores to form a substantially quadrilateral space in the spine across the height of the disc space and into the adjacent endplates of the vertebral bodies adjacent the disc space, the quadrilateral space being formed by the removal of at least bone from at least the adjacent endplates as deep as with, and generally not deeper than, the subchondral zone of each of the adjacent endplates.

Other embodiments of the invention will be apparent to those skilled in the art from consideration of the specification and practice of the invention disclosed herein. It is intended that the specification be considered as exemplary only, and a true scope and spirit of the invention being indicated by the following claims.

What is claimed is:

1. A spinal marker for marking a location on at least a portion of a spine of a human, said marker comprising:

a shaft having a proximal end, an opposite distal end oriented toward the spine, a depth between said proximal and distal ends, and a height and a width transverse to the depth of said shaft, said shaft having a passage having a dye receiver at said proximal end of said shaft and at least two dye exit holes on said distal end of said shaft for marking the spine; and

a disc penetrating extension for insertion at least in part between two adjacent vertebral bodies, said disc penetrating extension extending from said distal end of said shaft, said disc penetrating extension having a distal end oriented toward the spine, a proximal end proximate said distal end of said shaft, and a depth therebetween, said disc penetrating extension having a height and a width transverse to the depth of said disc penetrating extension, the height of said disc penetrating extension being sufficient to contact at least a portion of each of the adjacent vertebral bodies.

2. The spinal marker of claim **1**, wherein said disc penetrating extension has one of a rectangular cross-section and a circular cross-section.

3. The spinal marker of claim **1**, wherein said shaft includes a portion sized to prevent over-penetration of said disc penetrating extension between the adjacent vertebral bodies.

4. The spinal marker of claim **3**, wherein said portion is a shoulder for abutting against the adjacent vertebral bodies.

5. The spinal marker of claim **4**, wherein said shoulder is proximate said distal end of said shaft.

6. The spinal marker of claim **1**, wherein said disc penetrating extension is tapered to facilitate insertion of said disc penetrating extension between the adjacent vertebral bodies.

7. The spinal marker of claim **1**, wherein the depth of said disc penetrating extension is greater than the maximum cross-sectional dimension of said shaft transverse to the depth of said shaft.

8. The spinal marker of claim **1**, wherein the depth of said disc penetrating extension is greater than the height of said shaft.

9. The spinal marker of claim **1**, wherein the height of said disc penetrating extension is greater than the width of said shaft.

10. The spinal marker of claim **1**, wherein the height of said disc penetrating extension is greater than the width of said disc penetrating extension.

11. The spinal marker of claim **1**, wherein the height and width of said disc penetrating extension form a generally quadrilateral cross-section.

12. The spinal marker of claim **1**, wherein the height and width of said disc penetrating extension form a generally rectangular cross-section.

13. The spinal marker of claim **1**, in combination with a dye for marking the spine with said marker.

14. The spinal marker of claim **13**, wherein said dye is an indigo carmine dye.

15. The spinal marker of claim **13**, in combination with a source for inserting said dye into said marker.

16. The spinal marker of claim **1**, wherein said source is a syringe for injecting said dye into said marker.

17. The spinal marker of claim **1**, wherein said proximal end of said shaft is configured to cooperatively engage a source for inserting the dye into said marker.

18. The spinal marker of claim **1**, wherein said proximal end of said shaft is configured to cooperatively engage a syringe for injecting the dye into said marker.

19. The spinal marker of claim **1**, wherein at least two of said dye exit holes are equal-distant from said disc penetrating extension.

20. The spinal marker of claim 1, wherein said distal end of said shaft includes at least four dye exit holes.

21. A spinal marker for marking a location on at least a portion of a spine of a human, said marker comprising:

a shaft having a proximal end, an opposite distal end oriented toward the spine, a depth between said proximal and distal ends, and a height and a width transverse to the depth of said shaft, said shaft having a passage having a dye receiver at said proximal end of said shaft and at least one dye exit hole on said distal end of said shaft for marking the spine; and

a disc penetrating extension extending from said distal end of said shaft, said disc penetrating extension having a distal end oriented toward the spine, a proximal end proximate said distal end of said shaft, and a depth therebetween, said disc penetrating extension having a height and a width transverse to the depth of said disc penetrating extension, the height of said disc penetrating extension being sufficient to contact at least a portion of each of the adjacent vertebral bodies, the height and width of said disc penetrating extension forming a non-circular cross-section.

22. The spinal marker of claim 21, wherein said disc penetrating extension has a rectangular cross-section.

23. The spinal marker of claim 21, wherein said shaft includes a portion sized to prevent over-penetration of said disc penetrating extension between the adjacent vertebral bodies.

24. The spinal marker of claim 23, wherein said portion is a shoulder for abutting against the adjacent vertebral bodies.

25. The spinal marker of claim 24, wherein said shoulder is proximate said distal end of said shaft.

26. The spinal marker of claim 21, wherein said disc penetrating extension is tapered to facilitate insertion of said disc penetrating extension between the adjacent vertebral bodies.

27. The spinal marker of claim 21, wherein the depth of said disc penetrating extension is greater than the maximum cross-sectional dimension of said shaft transverse to the depth of said shaft.

28. The spinal marker of claim 21, wherein the depth of said disc penetrating extension is greater than the height of said shaft.

29. The spinal marker of claim 21, wherein the height of said disc penetrating extension is greater than the width of said shaft.

30. The spinal marker of claim 21, wherein the height of said disc penetrating extension is greater than the width of said disc penetrating extension.

31. The spinal marker of claim 21, wherein the height and width of said disc penetrating extension form a generally quadrilateral cross-section.

32. The spinal marker of claim 21, in combination with a dye for marking the spine with said marker.

33. The spinal marker of claim 32, wherein said dye is an indigo carmine dye.

34. The spinal marker of claim 32, in combination with a source for inserting said dye into said marker.

35. The spinal marker of claim 34, wherein said source is a syringe for injecting said dye into said marker.

36. The spinal marker of claim 21, wherein said proximal end of said shaft is configured to cooperatively engage a source for inserting the dye into said marker.

37. The spinal marker of claim 21, wherein said proximal end of said shaft is configured to cooperatively engage a syringe for injecting the dye into said marker.

38. The spinal marker of claim 21, wherein said distal end of said shaft includes at least two dye exit holes, at least two of said dye exit holes being equal-distant from said disc penetrating extension.

39. The spinal marker of claim 21, wherein said distal end of said shaft includes at least four dye exit holes.

40. A spinal marker for marking a location on at least a portion of a spine of a human, said marker comprising:

a shaft having a proximal end, an opposite distal end oriented toward the spine, a depth between said proximal and distal ends, and a height and a width transverse to the depth of said shaft, said shaft having a passage having a dye receiver at said proximal end of said shaft and at least one dye exit hole on said distal end of said shaft for marking the spine; and

a disc penetrating extension extending from said distal end of said shaft, said disc penetrating extension having a distal end oriented toward the spine, a proximal end proximate said distal end of said shaft, and a depth therebetween, said disc penetrating extension having a height and a width transverse to the depth of said disc penetrating extension, the height of said disc penetrating extension being sufficient to contact at least a portion of each of the adjacent vertebral bodies.

41. The spinal marker of claim 40, wherein said disc penetrating extension has one of a rectangular cross-section and a circular cross-section.

42. The spinal marker of claim 40, wherein said shaft includes a portion sized to prevent over-penetration of said disc penetrating extension between the adjacent vertebral bodies.

43. The spinal marker of claim 42, wherein said portion is a shoulder for abutting against the adjacent vertebral bodies.

44. The spinal marker of claim 43, wherein said shoulder is proximate said distal end of said shaft.

45. The spinal marker of claim 40, wherein said disc penetrating extension is tapered to facilitate insertion of said disc penetrating extension between the adjacent vertebral bodies.

46. The spinal marker of claim 40, wherein the depth of said disc penetrating extension is greater than the maximum cross-sectional dimension of said shaft transverse to the depth of said shaft.

47. The spinal marker of claim 40, wherein the depth of said disc penetrating extension is greater than the height of said shaft.

48. The spinal marker of claim 40, wherein the height of said disc penetrating extension is greater than the width of said shaft.

49. The spinal marker of claim 40, wherein the height of said disc penetrating extension is greater than the width of said disc penetrating extension.

50. The spinal marker of claim 40, wherein the height and width of said disc penetrating extension form a generally quadrilateral cross-section.

51. The spinal marker of claim 40, wherein the height and width of said disc penetrating extension form a generally rectangular cross-section.

23

- 52. The spinal marker of claim 40, in combination with a dye for marking the spine with said marker.
- 53. The spinal marker of claim 52, wherein said dye is an indigo carmine dye.
- 54. The spinal marker of claim 52, in combination with a source for inserting said dye into said marker.
- 55. The spinal marker of claim 54, wherein said source is a syringe for injecting said dye into said marker.
- 56. The spinal marker of claim 40, wherein said proximal end of said shaft is configured to cooperatively engage a source for inserting the dye into said marker.

24

- 57. The spinal marker of claim 40, wherein said proximal end of said shaft is configured to cooperatively engage a syringe for injecting the dye into said marker.
- 58. The spinal marker of claim 40, wherein said distal end of said shaft includes at least two dye exit holes, at least two of said dye exit holes being equal-distant from said disc penetrating extension.
- 59. The spinal marker of claim 40, wherein said distal end of said shaft includes at least four dye exit holes.

* * * * *

UNITED STATES PATENT AND TRADEMARK OFFICE
CERTIFICATE OF CORRECTION

PATENT NO. : 6,554,836 B2
DATED : April 29, 2003
INVENTOR(S) : Gary K. Michelson, M.D.


Page 1 of 1

It is certified that error appears in the above-identified patent and that said Letters Patent is hereby corrected as shown below:

Column 20,
Line 59, change "1" to -- 15 --.

Signed and Sealed this

Nineteenth Day of August, 2003

A handwritten signature in black ink, appearing to read "James E. Rogan", written over a horizontal line.

JAMES E. ROGAN
Director of the United States Patent and Trademark Office