

[54] SURGICAL RETRACTOR FRAME

OTHER PUBLICATIONS

[76] Inventor: Gary K. Michelson, 438 Sherman Canal, Venice, Calif. 90291

Aloe Medical Catalog, C. 1965, p. 106.

Primary Examiner—Stella Reid
Attorney, Agent, or Firm—Lewis Anten

[**] Term: 14 Years

[57] CLAIM

[21] Appl. No.: 153,030

The ornamental design for a surgical retractor frame, as shown.

[22] Filed: Feb. 8, 1988

DESCRIPTION

[52] U.S. Cl. D24/135

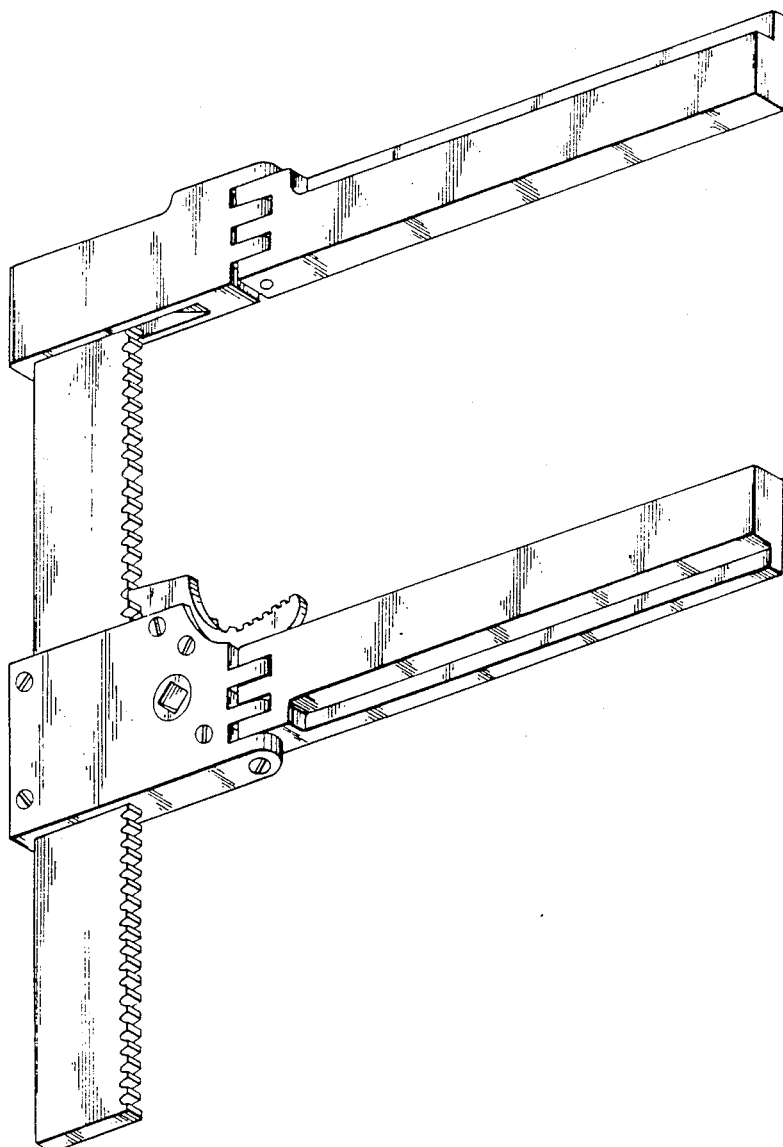
[58] Field of Search D24/18, 27, 26; 128/20, 128/18, 17, 3

FIG. 1 is a perspective view of a surgical retractor frame, showing my new design;
FIG. 2 is a front elevational view thereof;
FIG. 3 is a rear elevational view thereof;
FIG. 4 is a right side elevational view thereof;
FIG. 5 is a left side elevational view thereof;
FIG. 6 is a top plan view thereof; and
FIG. 7 is a bottom plan view thereof.

[56] References Cited

U.S. PATENT DOCUMENTS

4,702,230 10/1987 Pelta 128/20
4,829,985 5/1989 Couetil 128/20



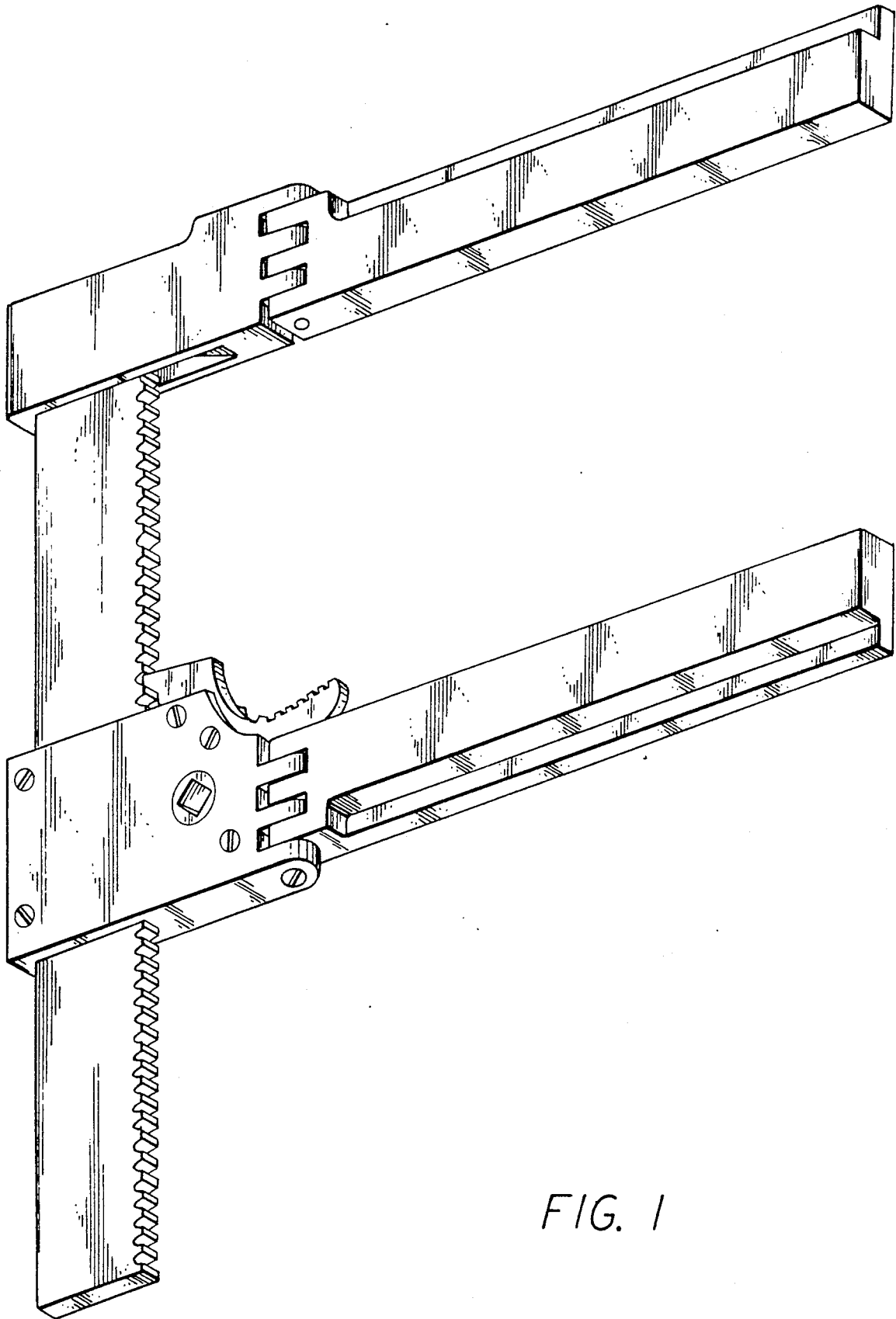


FIG. 1

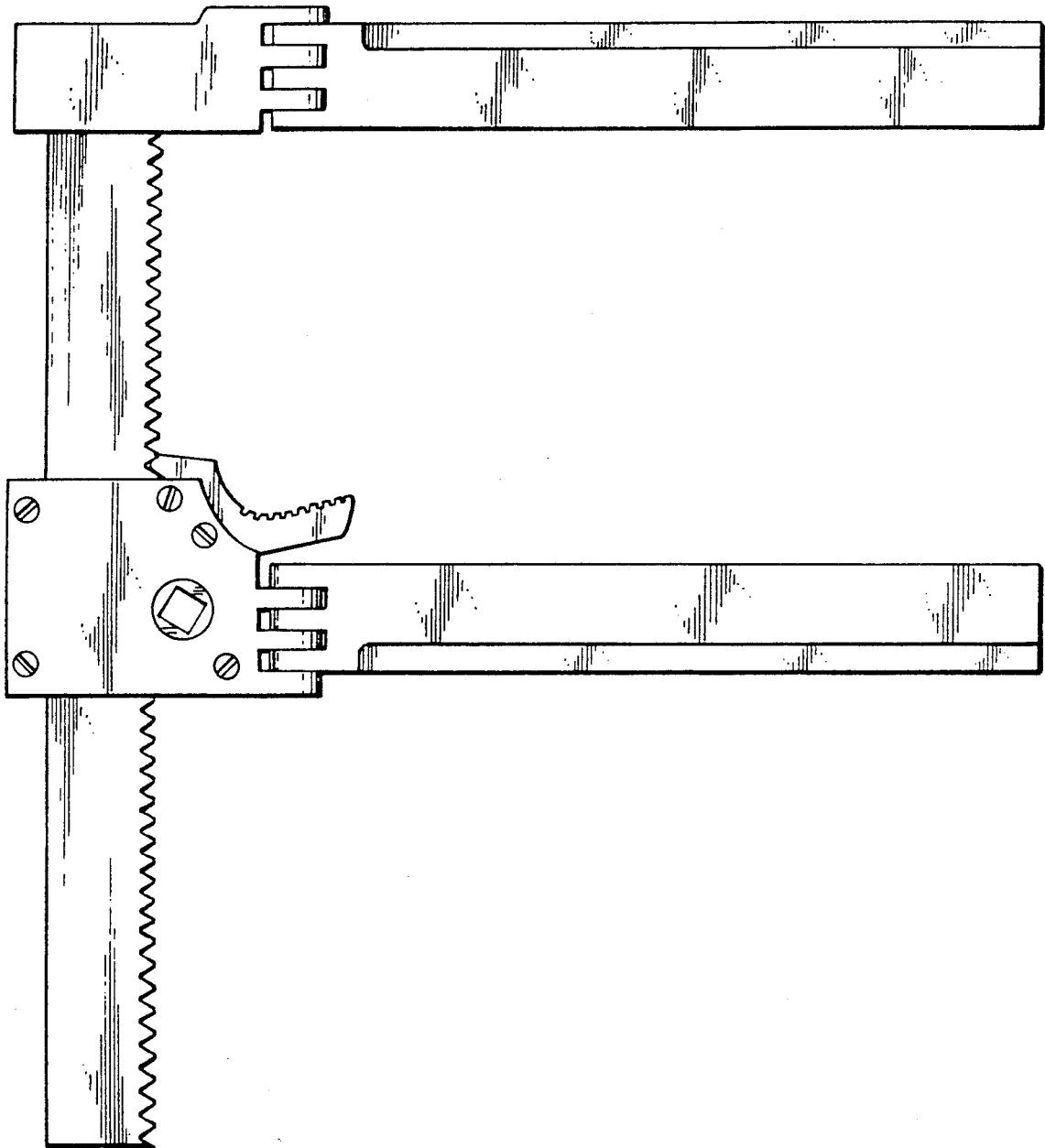


FIG. 2

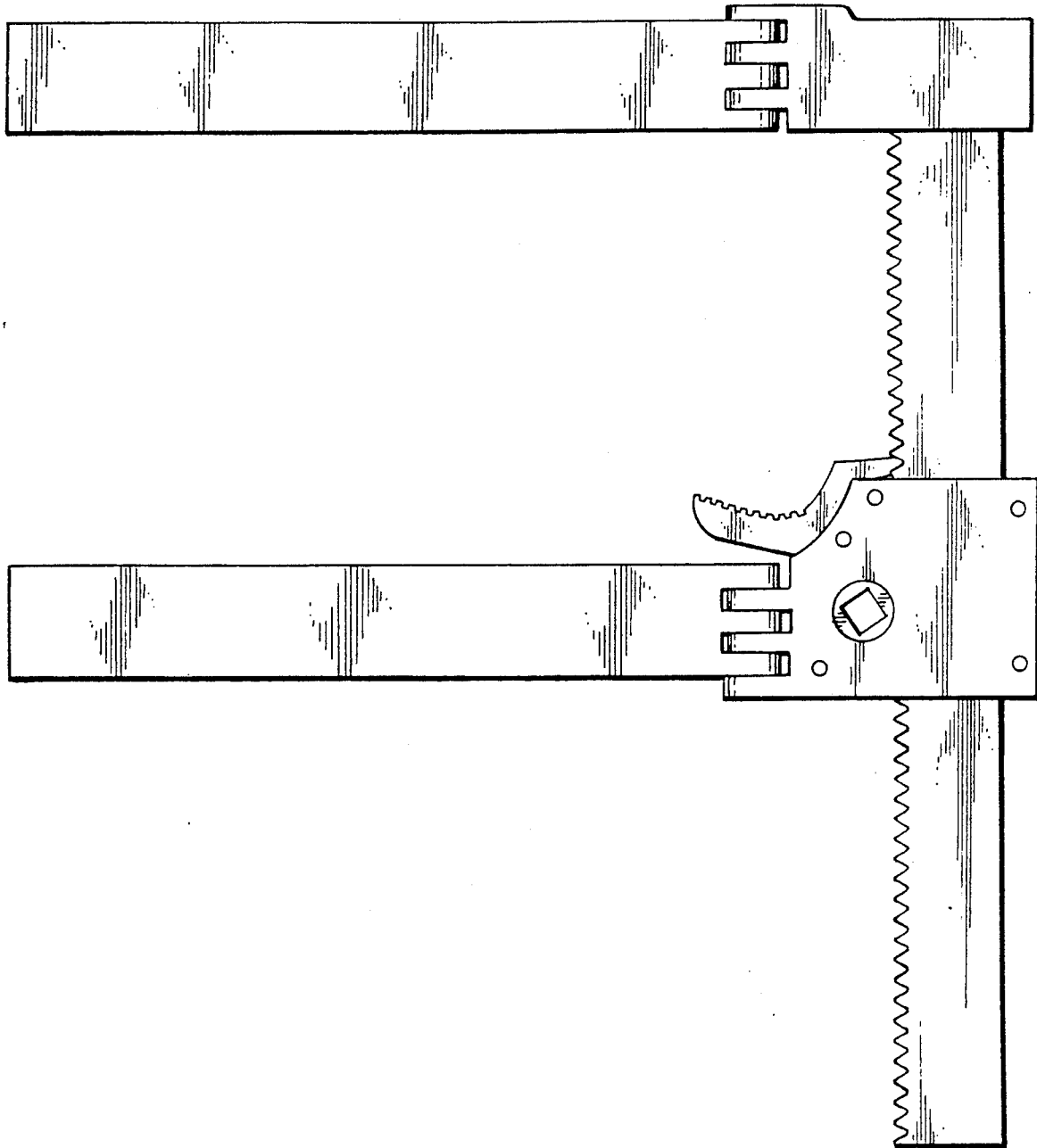


FIG. 3

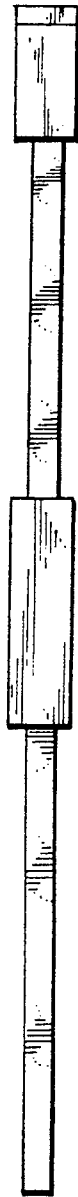


FIG. 4



FIG. 5

FIG. 6

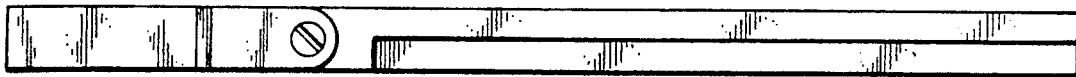


FIG. 7

